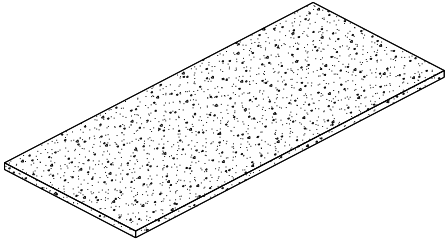
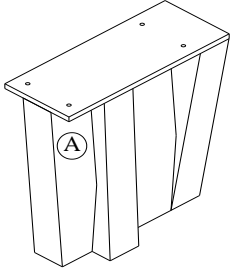
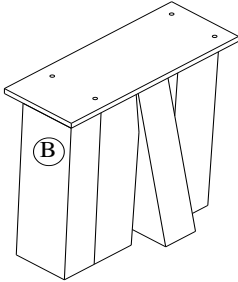


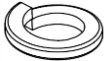



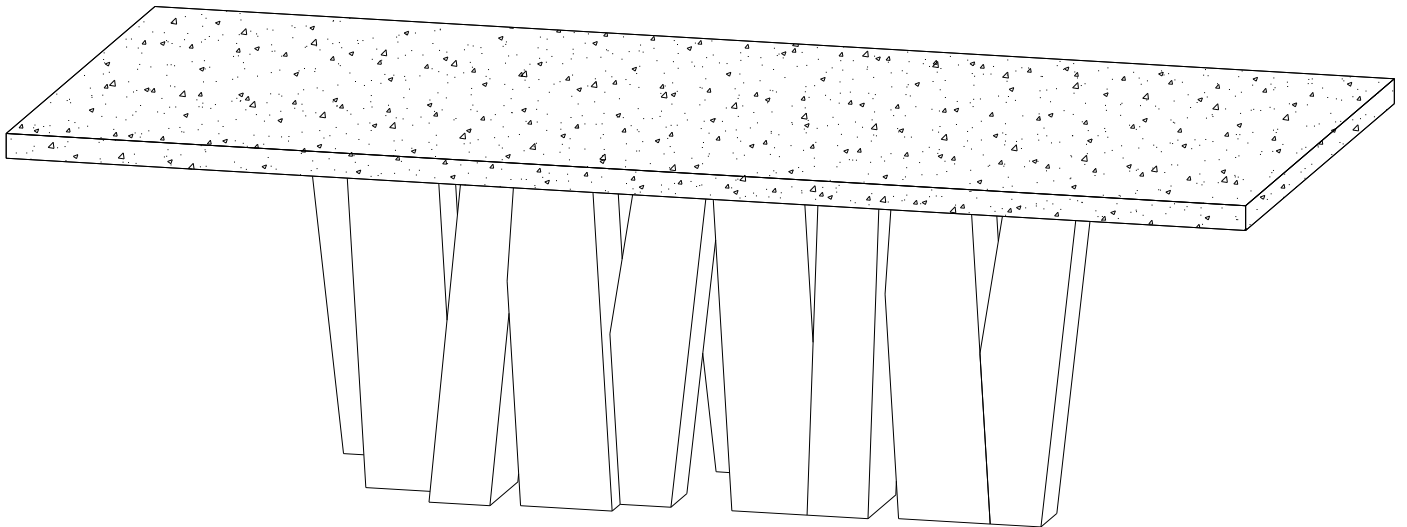
# ASSEMBLY INSTRUCTIONS

## SKU# 51031214

### PARTS LIST

A	TABLE TOP X 1		<p><b>Before beginning</b></p> <p>1 - Carefully unpack and position the item on a clean, non-marring surface to assemble.</p> <p>2 - Read this Assembly Instructions from beginning to end before starting to assemble.</p> <p>3 - Take an inventory of the required parts to ensure all are available.</p> <p>4 - To prevent accidental choking hazards, keep all packing materials away from small children.</p> <p>5 - Only tighten hardware until ALL hardware are fully engaged on their locations. Overtighten bolts will damage the bolt threads.</p> <p>6 - Use only factory provided hardware to assemble. Unapproved hardware can damage product or jeopardize the structural integrity of the product.</p> <p>7 - The use of power tool to assemble is not recommended due to high risk of over-torque, which can damage the product.</p>
B	LEGS X 2		
C	LEGS X 2		

Z	HARDWARE	<p>Z1</p>  <p>10X50MM X 16</p>	<p>Z2</p>  <p>10X26X2MM X 16</p>	<p>Z3</p>  <p>10X15X2,6MM X 16</p>	<p>Z4</p>  <p>17MM X 1</p>				
---	----------	---	---	---	---	--	--	--	--

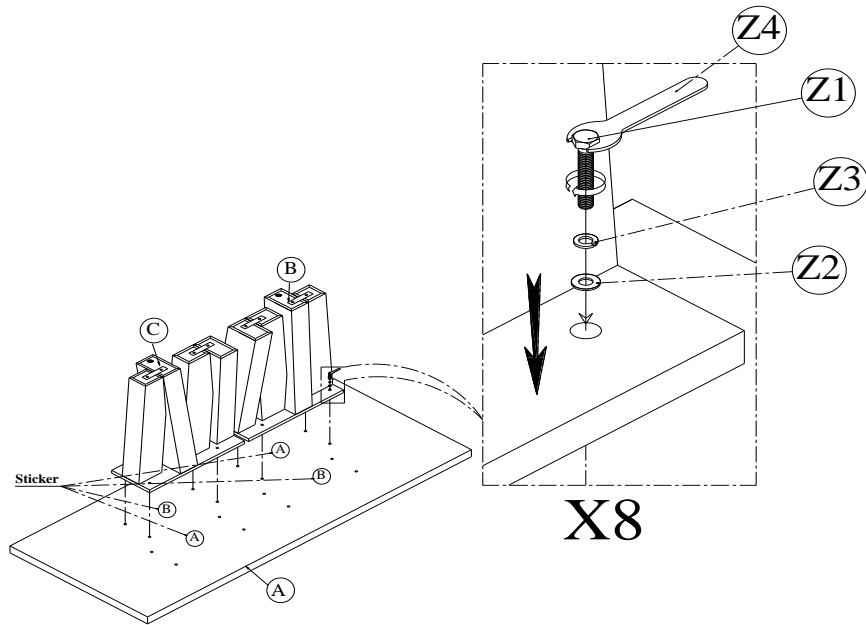


	<p>ASSEMBLY REQUIRES TWO PEOPLE</p>	 <p>15-MINUTE ASSEMBLY TIME</p>		<p>KEEP INSTRUCTIONS FOR FUTURE USE</p>	
--	---	--	---	---	---

# ASSEMBLY INSTRUCTIONS

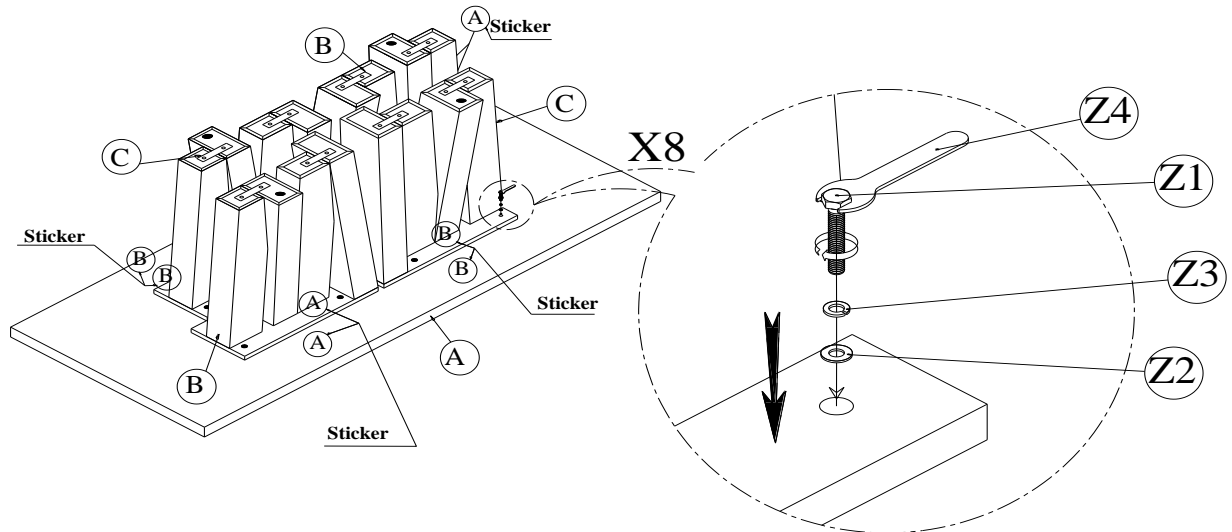
## SKU# 51031214

1



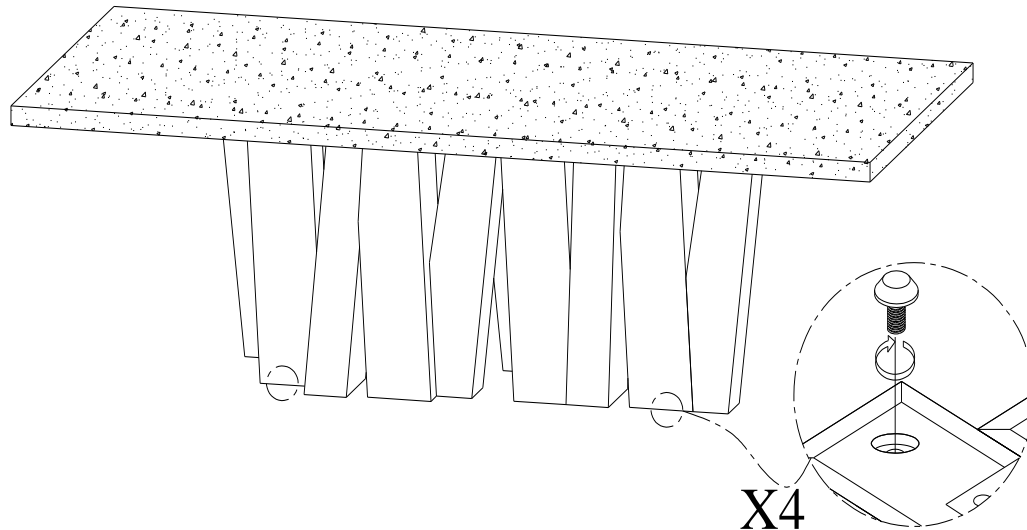
- Install the Legs (B) and Legs (C) into the Table Top (A) as pictured.

2



- Using Open Wrench (Z4) to tighten Bolts (Z1), Spring Washers (Z2) and Washers (Z3).
- Legs (B) & Legs (C) are symmetrical.
- Put the legs with the Adjustable foot at the outside.
- To ensure that legs & top are put follow sticker correctly.

3



- With two people carefully turn the Table over and stand on its Base.
- If the Table doesn't sit level, please adjust the Adjustable Bolts under the Leg.
- Complete item.