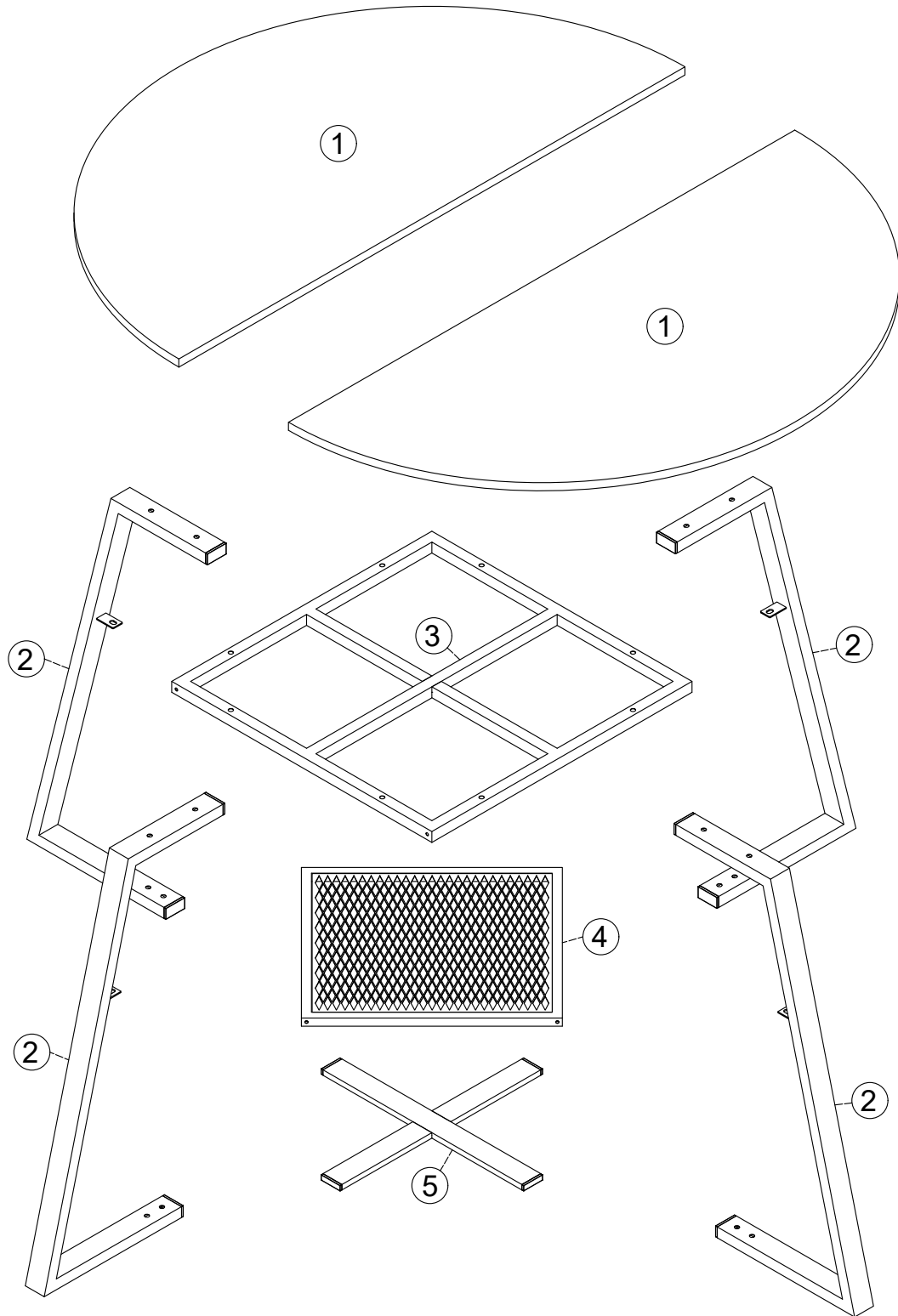


Installation instruction

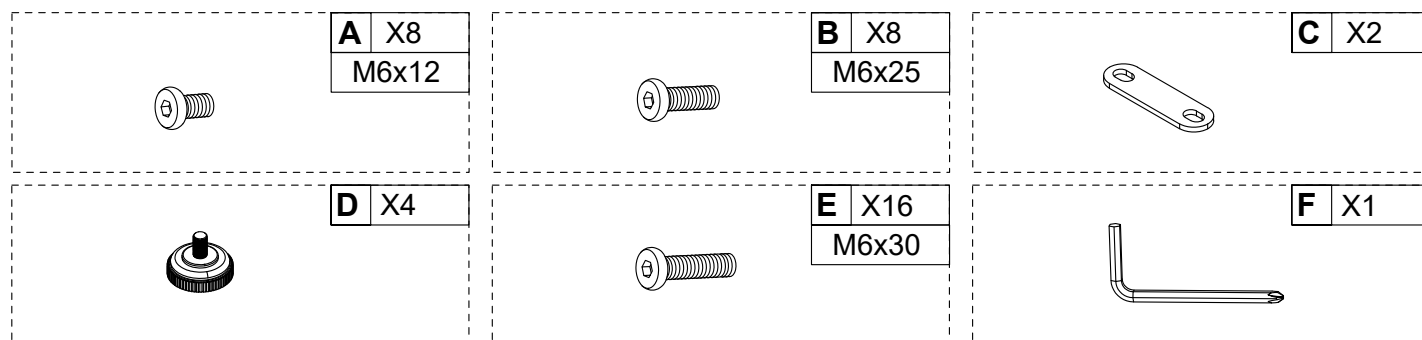


Please note: We provide fast after-sales service, don't worry if there is something wrong with the package you received. Please contact us first, we will reply you in time.

EXPLODED DRAWING:



PARTS: Before installation, please check that the parts are all included!

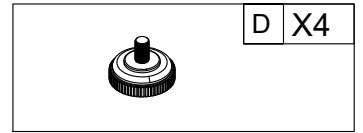
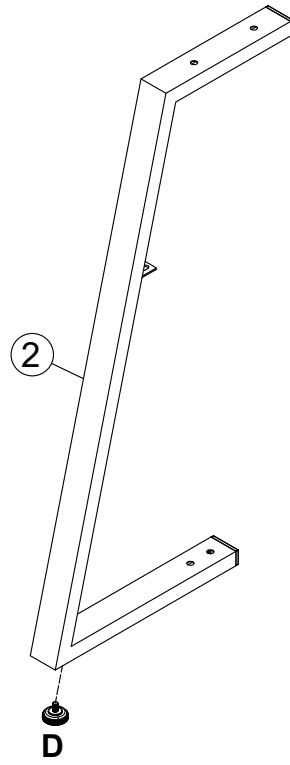


TIPS:We recommend two people for assembly.

Not tightening the screws to 100% until all installations are complete to allow for alignment of the mounting holes.

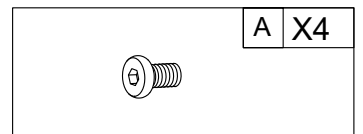
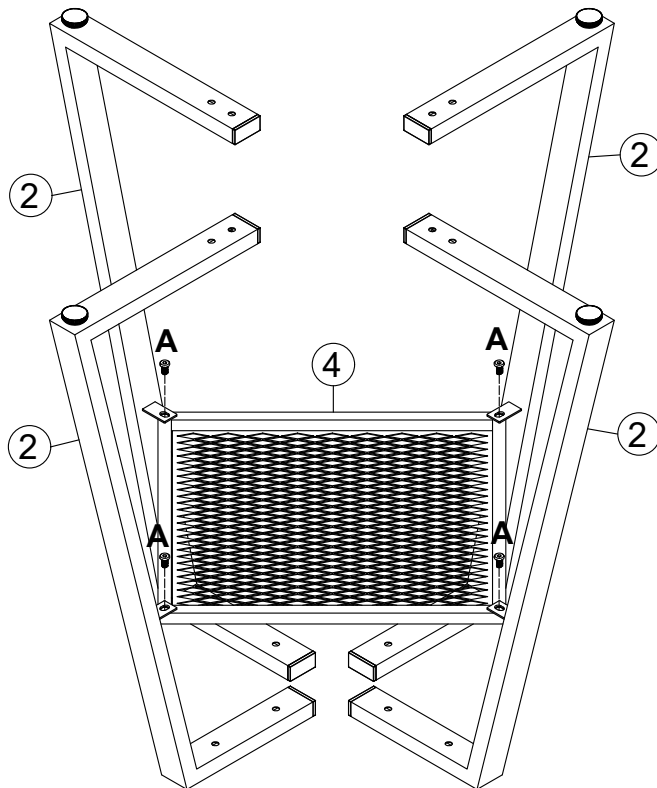
When installation is complete, make sure ALL the screws are fully tighten.

1.

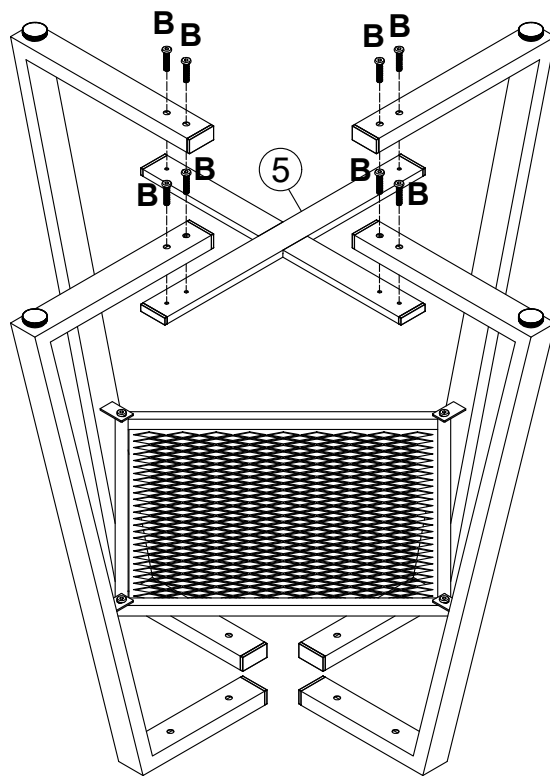
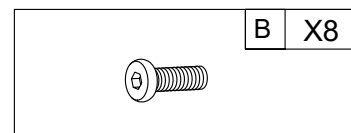


X4

2.



3.



4.

