

285.00 mm

420.00 mm

### USE AND CARE GUIDE

COMBINATION ELECTRIC FIREPLACE HEATER  
MODEL: EF3207AK



**IMPORTANT**

For best viewing, lighting should be dimmed. Do not use the fireplace heater outdoors. Always use the fireplace heater in a well-ventilated area. Do not use the fireplace heater in a room with a high ceiling or a room with a high ceiling.

**SAFETY INFORMATION**

Read the safety information carefully. Do not use the fireplace heater in a room with a high ceiling or a room with a high ceiling. Do not use the fireplace heater in a room with a high ceiling or a room with a high ceiling.

Thank you for purchasing this product! If you have questions about assembly or operation of this product, such as missing parts, or if the product is damaged, please contact us via different Message or call customer service. Phone: 1-888-487-6222 or 1-888-658-0901 (9:30 a.m. - 4:30 p.m. PST). Or find us on our website at customer service email address: cs@glowdown.com or on our website at customer service phone number: 1-888-487-6222 or 1-888-658-0901.

Call: 1-888-487-6222 or 1-888-658-0901 (9:30 a.m. - 4:30 p.m. PST)  
Email: cs@glowdown.com

### Table of Contents

- Safety Information 1
- Wood Frame Installation 1
- Stone-Catal 4
- Safety Cable Installation 6
- Operation 9
- Using the Remote Control 11
- Care and Maintenance 12
- Troubleshooting 13
- Repairing Paste Use Method 13

### Troubleshooting

Problem	Solution
Fireplace control is not working	<ul style="list-style-type: none"> <li>Check the battery in the remote control. Replace the battery if it is dead.</li> <li>Check the remote control battery. Press the battery cover to ensure the battery is inserted correctly.</li> <li>Check the remote control battery. Press the battery cover to ensure the battery is inserted correctly.</li> <li>Check the remote control battery. Press the battery cover to ensure the battery is inserted correctly.</li> </ul>
The unit does not turn on	<ul style="list-style-type: none"> <li>Check the power cord. Make sure it is plugged into a standard 120 V outlet.</li> <li>Check the power cord. Make sure it is plugged into a standard 120 V outlet.</li> <li>Check the power cord. Make sure it is plugged into a standard 120 V outlet.</li> </ul>

### Repairing Paste Use Method



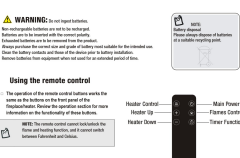
- Step 1: Choose repair paste that is close in color to the wood finish.
- Step 2: Apply repair paste to the damaged area.
- Step 3: Rub the repair paste into the damaged area.
- Step 4: Wipe off the repair paste.

Notes: The repair paste is used for maintenance using the easy use of the product.

### WARNING

- Do not use the fireplace heater in a room with a high ceiling or a room with a high ceiling.
- Do not use the fireplace heater in a room with a high ceiling or a room with a high ceiling.
- Do not use the fireplace heater in a room with a high ceiling or a room with a high ceiling.
- Do not use the fireplace heater in a room with a high ceiling or a room with a high ceiling.

### Using the remote control



### Care and Maintenance

WARNING: Do not use the fireplace heater in a room with a high ceiling or a room with a high ceiling.

### Safety Information

#### IMPORTANT SAFETY INFORMATION

- Do not use the fireplace heater in a room with a high ceiling or a room with a high ceiling.
- Do not use the fireplace heater in a room with a high ceiling or a room with a high ceiling.
- Do not use the fireplace heater in a room with a high ceiling or a room with a high ceiling.

#### SAVE THESE INSTRUCTIONS


### GROUNDING INSTRUCTIONS

WARNING: Improper connection of the equipment grounding conductor or failure to properly ground the equipment can result in electric shock or fire.

### Warranty

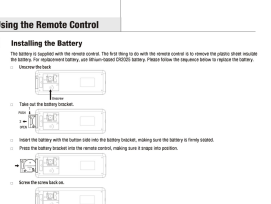
We warrant that the product is free from defects in materials and workmanship for a period of 1 year from the date of purchase.

### Using the main power button



### Using the Remote Control

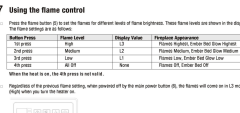
#### 1. Installing the Battery



### Using the Heater Control

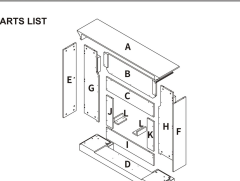
WARNING: Do not use the fireplace heater in a room with a high ceiling or a room with a high ceiling.

### Using the Remote control



### Wood Frame Installation

#### PARTS LIST

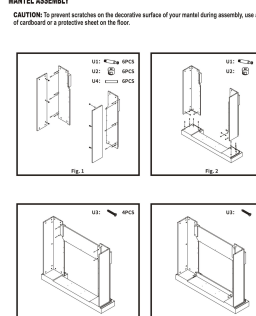


#### HARDWARE

REF NO	DESCRIPTION	QTY
U1	Panel Insert	22+1 PCS
U2	Panel Insert	22+1 PCS
U3	Panel Insert	23+1 PCS
U4	Panel Insert	10+1 PCS

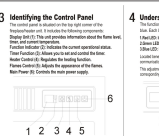
### MANTLE ASSEMBLY

CAUTION: To prevent scratches on the decorative surface of your mantel during assembly, use a piece of cardboard or a protective sheet on the floor.




### Operation

#### 3. Identifying the Control Panel



#### 4. Understanding the Function Indicator



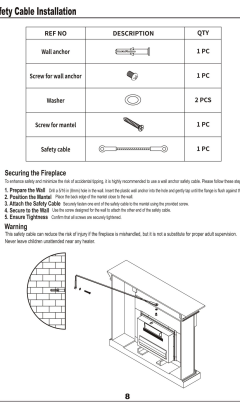
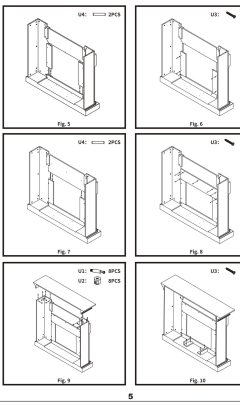
#### 5. Using the Timer Function

Button Press	Time Interval	Display
1 sec	1 hour	1:00
2 sec	2 hours	2:00
3 sec	3 hours	3:00
4 sec	4 hours	4:00
5 sec	5 hours	5:00
6 sec	6 hours	6:00
7 sec	7 hours	7:00
8 sec	8 hours	8:00
9 sec	9 hours	9:00
10 sec	10 hours	10:00

### Safety Cable Installation

REF NO	DESCRIPTION	QTY
W1	Wall anchor	1 PC
S1	Screw for wall anchor	1 PC
M1	Washer	2 PCS
S2	Screw for mantel	1 PC
C1	Safety cable	1 PC

### Securing the Fireplace

### Stone-Installation

#### ELECTRICAL SPECIFICATIONS

Voltage: 120 V AC, 60 Hz  
Power: 1500 W

#### TOOLS REQUIRED

- Phillips screwdriver (not provided)

#### HARDWARE INCLUDED

- Panel Insert (not provided)

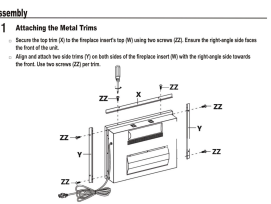
#### PACKAGE CONTENTS

Part	Description	Quantity
A	Panel Insert with Frame	1
M	Panel Insert	1
S	Panel Insert	1
T	Stone Tray	1

CAUTION: The front panel of the insert is made of GLASS! ALWAYS handle glass with extreme caution. Failure to do so could result in personal injury or property damage.

### Assembly

#### 1. Attaching the Metal Trim



#### 2. Installing the Fireplace Insert

