

Attention: Do not tighten the bolts and screws before the allen bolts are in place

**USER'S MANUAL**  
Dining Chair  
20TNTVDS01BR121

## BEFORE YOU GET STARTED, A FEW POINTERS



Having a friend to help makes assembly extra-easy



Mind the important safety information

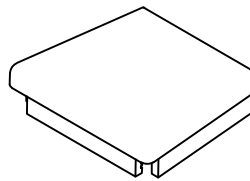
## ★ PLEASE MAKE SURE ALL THE PARTS ARE INCLUDED.

1



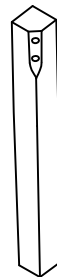
Back With Legs \*2

2



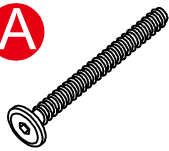
Seat \*2

3



Legs \*4

A



Ø1/4"x80mm  
(8pcs)

B



Ø1/4"x50mm  
(8pcs)

C



Ø1/4"\*30mm  
(4pcs)

D



Ø1/4"  
(20pcs)

E



Ø1/4"  
(20pcs)

F



M4 Allen Key  
(1pc)

Missing parts ?  [hyltech@outlook.com](mailto:hyltech@outlook.com)

## ASSEMBLY INSTRUCTIONS - ATTENTION

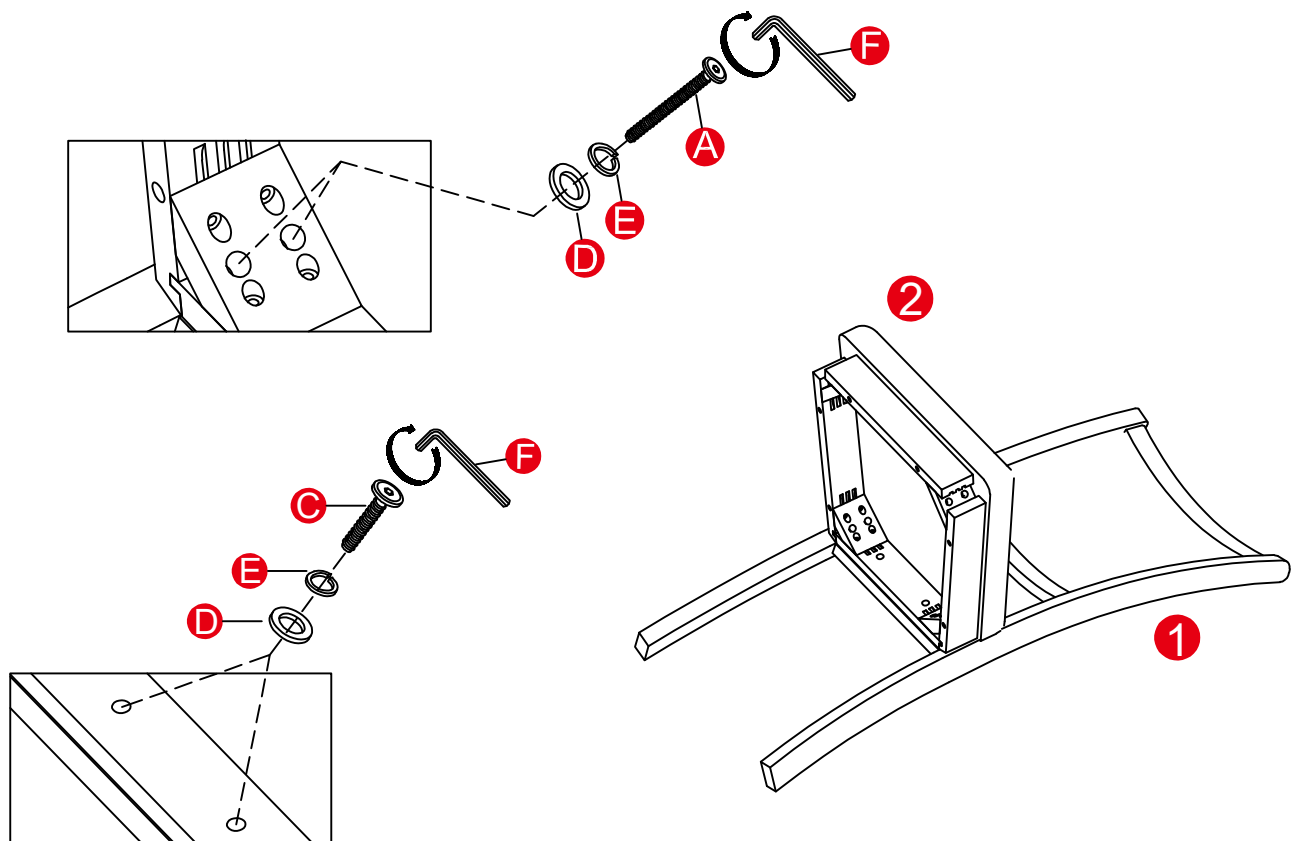
### STEP 1

Turn the chair upside down and place it on a clean, scratch-free surface. Align the installation positions on the Chair (2) with the backrest frame (1). First, lock the center mounting position using bolts (C), Spring washer (E), Flat washer (D) with Allen key (F). And continue to lock the mounting position on both sides of the legs with bolts (A), Spring washer (E), Flat washer (D) with Allen key (F).

Then lock the locked positions in those steps together as shown above.

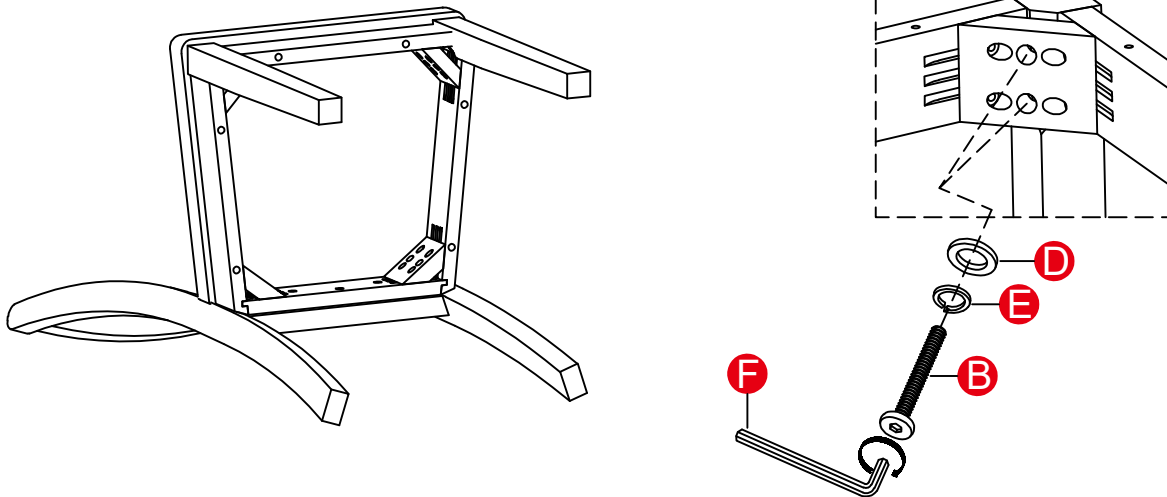
#### Friendly Notice:

If the installation positions cannot be aligned well, gently shake the Seat (2) when locking the bolts, this can help prevent the bolts from locking and ensure smooth assembly. Do not tighten the bolt completely, only 50% is ok



## ASSEMBLY INSTRUCTIONS - ATTENTION

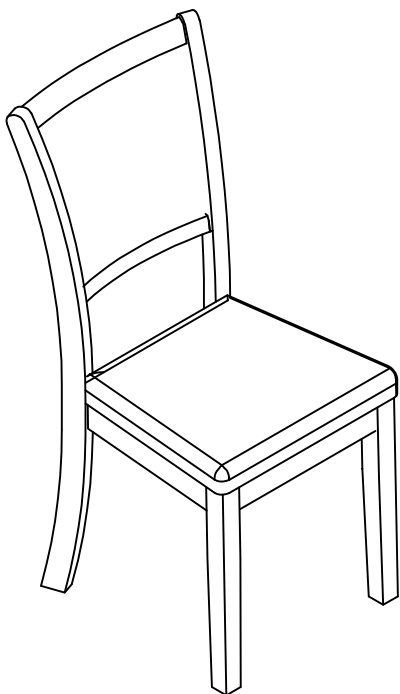
### STEP 2



Take the two front legs (3) and install them in place of the seat (2) using Bolts (B) and Spring Washers (E) and Flat Washers (D) with an Allen key (F). Don't tighten the Bolts completely, just 50% tighten is ok.

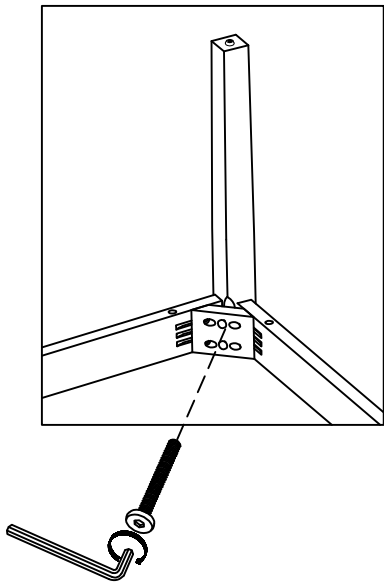
Then adjust the balance of the entire seat and tighten all bolts to 100%.

### STEP 3

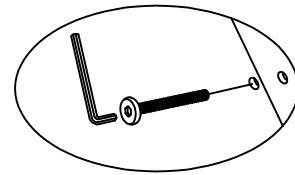


Stand the chair up.  
Your chair is ready for use.  
This chair can only be used on a flat, leveled surface

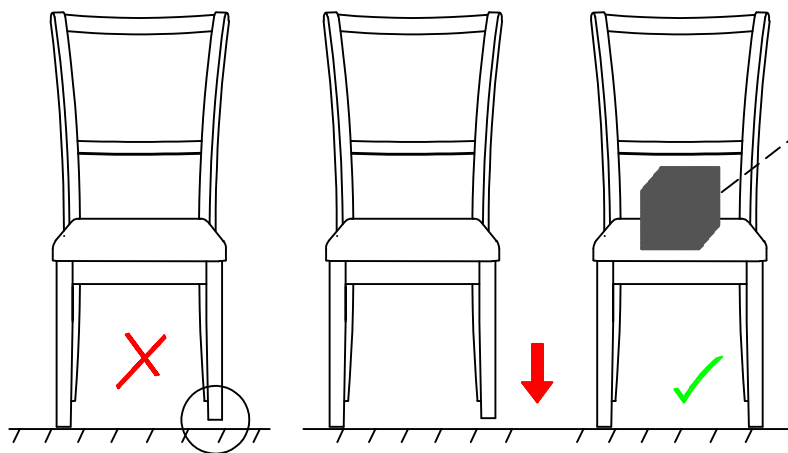
## ASSEMBLY INSTRUCTIONS - ATTENTION



50%

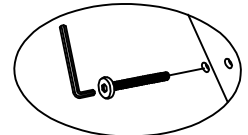


1. Partly screw in bolts, but do not fully tighten.



Apply pressure on the seat. (About 40lbs)

100%



2. Place the chair on a flat surface and apply pressure on the seat. Then tighten the middle bolt on the back, then both bolts on the sides, using the chair.

3. If the legs are uneven, you can also adjust the foot pegs at the bottom of the legs to improve balance



## WARNING:



Read the instructions carefully.

step1



step2

Please follow the assembly steps.

### **Weight Capacity for Seating: 250LBS**

*To ensure proper assembly, follow all steps and use all parts, do not use power tools. Failure to follow this warning can result in serious injury to yourself or others.*

*Please inspect all items before assembly, if for any reason you need to return this item, please kindly return in it's original packaging.*

*To avoid misalignments, leave the screws loose and do not tighten them until all are in their respective places.*

*Do not tighten all bolts and screws completely until the entire unit has been assembled and set up.*

*Do not overtighten or force the screws as they could break, strip, or damage the threads of the holes.*

*Using the wrong size of screws on a part could result in damage to the screw or the part.*

*Lubricate all moving parts and tighten all bolts/screws every 6 month or whenever needed.*

*Do not use if this product becomes damaged, and / or components are broken or missing.*