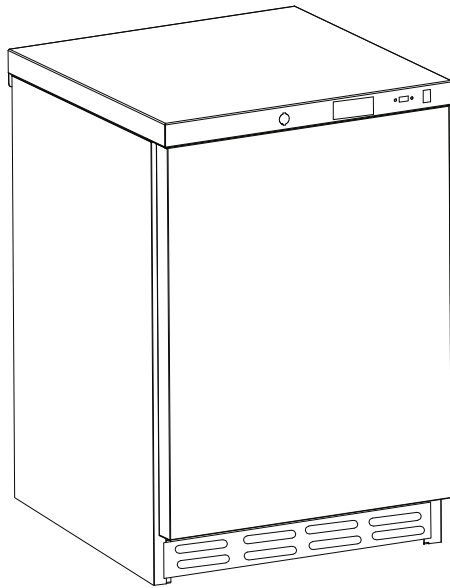
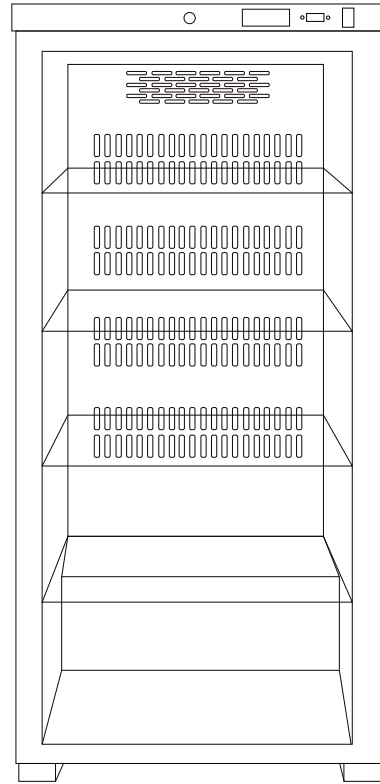




Pharmaceutical Refrigerator



MODEL: CMV 400



MODEL: CMV 1300 G

OWNER'S MANUAL

Please read the instructions carefully and keep for future reference. Information may be updated from time to time so please refer to the manual online for the latest version of the manual.



Scan the above QR code to download the "Tuya Smart" app to operate the WiFi function

Warranty

Conserv Appliances undertakes to the consumer-owner to repair or, at our option, to replace any part of this product which proves to be defective in workmanship or materials under normal personal, family or household use, in the USA and Canada, for a period of one year from the date of original purchase. For commercial use, the product is warranted for a period of 90 days. During this period, we will provide all labor and parts necessary to correct such defect, free of charge, if the appliance has been installed and operated in accordance with the written instructions with the appliance. Ready access to the appliance, for service, is the responsibility of the consumer-owner. Service would be provided from Monday to Friday between normal business hours.

Exclusions

In no event shall Conserv Appliances be liable for incidental or consequential damages or for damages resulting from external causes such as abuse, misuse, incorrect voltage or acts of God. This warranty does not cover service calls which do not involve defective workmanship or materials covered by this warranty. Accordingly, diagnosis and repair costs for a service call which does not involve defective workmanship or materials will be the responsibility of the consumer-owner.

Specifically, the following work is not covered under warranty and does not constitute warranty work

Installation – e.g. installing incorrectly

Maintenance – e.g. cleaning appliance using solvents

Mishandling – e.g. breakage of shelves

Most work is covered. The defining factor is, has the machine malfunctioned (Conserv Appliances is responsible) or has the customer omitted or done something to cause the machine to malfunction (customer is responsible). Some states do not allow the exclusion or limitation of incidental or consequential damages, so the above limitation of exclusion may not apply to you.

WARRANTY SERVICE

This warranty is given by:

Conserv Appliances

10222 Georgibelle Drive, Suite 200
Houston, TX 77043-5249

For Service:

Call 1-800-776-3538

Email: Service@ApplianceDesk.com

Web: www.ApplianceDesk.com

Business hours: 9:00 am - 5:00 pm weekdays

You can register your Warranty by either of the following methods:

1. Scan the QR Code



CMV 400



CMV 1300 G

1. Open Smart Phone
2. Open Photo
3. Scan QR Code
4. Click the Link

2. Online at: ApplianceDesk.com/Warranty

GENERAL

Since it is the responsibility of the consumer-owner to establish the warranty period by verifying the original purchase date, Conserv Appliances recommends that a receipt, delivery slip or some other appropriate payment record be kept for that purpose.

This warranty gives you specific legal rights, and you may also have other rights which vary from State to State.

All rights reserved. Manual subject to change without notice.

Safety

Please always follow the safety precautions listed below:

- Do not put acid or flammable or volatile materials inside the appliance.
- Do not puncture or damage refrigerant tubing.
- Unplug the unit immediately if you find any abnormal smell or smoke, and contact Customer Service.
- This appliance is not intended for use by children or persons with reduced physical, sensory or mental capabilities, or lack of experience and knowledge, unless they have been given supervision or instruction concerning use of the appliance by a person responsible for their safety. Children should be supervised to ensure that they do not play with the appliance.
- Use a dedicated power outlet and a three prong power socket, that is properly grounded.
- Secure the cord behind the unit to prevent a tripping hazard.
- Do not use extension cords or ungrounded two prong adapters.
- Do not use the power cord or plug if it is damaged.
- When removing the power plug, do not pull on the cord. Grasp the plug firmly and pull it out from the socket.
- Do not connect or disconnect plug with wet hands.
- Unplug the unit first when doing maintenance or repair.
- Keep ventilation openings free of obstructions.
- Repairs must be done only by a qualified technician.

Safe Disposal

- Before discarding the refrigerator, remove doors in order to prevent risk of child entrapment. Leave shelves in place.
- Dispose off this appliance in accordance with local regulations.

State of California Proposition 65 Warnings:

WARNING: This product contains one or more chemicals known to the State of California to cause cancer.

WARNING: This product contains one or more chemicals known to the State of California to cause birth defects or other reproductive harm.

Installation

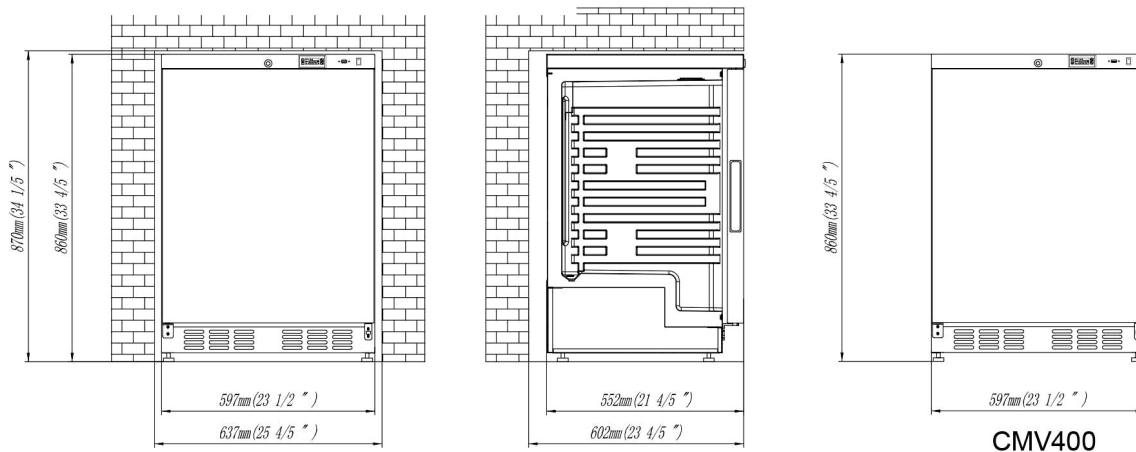
Placement

This unit is designed to be free standing or built-in and used indoors.

- The unit should be placed in a ventilated and dry environment.
- Do not put the unit in direct sunlight, and keep it as far as possible from heat sources.
- Do not put the unit in a cold or moist area.
- The refrigerator can be placed with at least a space of 2" (5 cm) around the top, sides and back of the unit to allow proper ventilation.
- Ensure the vent in the front of the refrigerator is not covered or blocked.
- The unit should be placed on flat and stable ground. Keep the unit level by adjusting the 2 front leg levelers.
- Installation must be done in accordance with local regulations.

Installation under counter for CMV 400

CMV 400 can be installed under a counter keeping minimum space required as shown below.

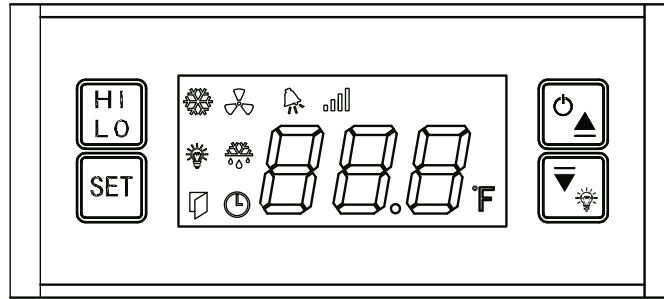


Before Use

- Before initially plugging in the refrigerator, keep the unit standing upright and stable for at least 2 hours.
- The refrigerator should be on for 4 to 6 hours and adequately cold, before putting items in it.
- It is recommended that you clean the interior of the unit before placing items inside.
- This appliance is designed for the storage of medicine and other medical products. Do not store beverages or perishable food in this unit.
- Do not open the door more often than necessary.
- Do not overfill the unit. Allow space between stored items.

Operating Instructions

The front top of the Refrigerator has a Lock, Control Panel, USB connection and Reset Switch.



Control Panel

There are 4 buttons on the control panel:

SET

Press the SET button for 1 second to see the display on the control panel.

Press the SET button for 5 seconds to set or change the temperature or lighting on the control panel.

HI LO

Press the HI LO button to view or select the highest and lowest temperature.

Power/Temp Up

Press the Power and Arrow Up button to turn the power on and off and also to increase the temperature.

Light/Temp Down

Press the Light and Arrow Down button to turn the lighting on and off and also to decrease the temperature.

Operation

When the Refrigerator is first plugged in, the compressor will start to run, which will show as an indicator light on the Control Panel and the temperature inside the unit will also be displayed.

To turn the refrigerator On: Press the Power button.

To set the temperature: Press the SET button and the Arrow Up or Arrow Down button at the same time. Once the desired temperature has been selected, press the SET button to save the temperature setting.

Press the **Light** button to turn on or off the lighting in the refrigerator.

Press the **HI LO** button to see the highest and lowest temperature in the display.

To start or stop Defrost, press both the SET and HI LO button at the same time for 3 seconds.

Setting the Time

Press the Up and Down buttons at the same time for 1 second – the display will show “YR”

Press the Up or Down buttons to program the desired year.

Repeat this process to program:

-Month “MH”

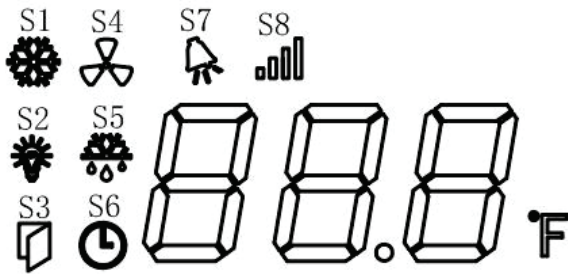
-Day “dy”

-Hour “Hr”

-Minute “Mn”

Once you have programed the time, press the SET for 3 seconds to save.

There are 8 icons on the display screen:



S1 Refrigeration: Flashing icon indicates refrigeration is delayed.

S2 Light: Shows whether light is on or off.

S3 Door open alarm: Indicates the door is open.

S4 Fan: Shows when the Evaporator Fan is working.

S5 Defrost: Shows if the refrigerator is being defrosted.

S6 Clock: Time settings.

S7 Alarm: This icon flashes while the temperature is being set.

S8 WiFi: indicates one of four WiFi status:

- Off: WiFi module is not connected.
- Quick flash: WiFi module is waiting for network distribution.
- Slow flash: WiFi module is connected to the router, but not connected to the network.
- On: the WiFi module is connected to the router and the network.

Alarm Codes

Alarm code	Description
E0	Display sensor fault
E1	Control sensor fault
Hi	High temperature alarm Displays Hi and temperature alternately
Lo	Low temperature alarm Displays Lo and temperature alternately
HC	High temperature alarm Displays HC and temperature alternately
LC	Low temperature alarm Displays LC and temperature alternately
dF	Defrost
Cr	Clear high and low temperature records
CF	Recover default temperature
rSt	Reset wifi
uP	USB inserted, storing data
Ed	USB inserted, data storage complete

485 communication module

The 485 communication module is connected with the control panel through a connecting line, and is equipped with a 485 communication interface and a USB data storage module.

You can communicate with the control panel through 485 communication interface, check the status of the control panel and change the parameters of the control panel.

The USB data storage module is equipped with a large-capacity storage unit, which can cyclically store temperature data for 10 years with a storage interval of 10 minutes.

WiFi communication module

The WiFi communication module is connected with the control panel through a connecting line, and can use the mobile APP to remotely check the control panel adjust the temperature, and turn On/Off the light.

Cleaning

- Always remove all items and unplug the unit before cleaning.
- Clean inside, behind and around the refrigerator regularly, using water and mild detergent, and a damp cloth (not wet).
- Never use boiling water, harsh cleaning chemicals or abrasive materials.
- Clean the door gasket regularly to ensure that the door closes and seals properly.
- Dry all surfaces thoroughly.
- We will add the following bullet item at the end of the Cleaning section: The Condenser is located at the back or bottom of the unit. It should be cleaned every 3 months using a vacuum hose.

Defrost

The surface of the evaporator will ice up over time when the refrigerator is in use. This is a normal process. The refrigerator must be defrosted and cleaned on a regular basis to avoid unnecessary energy consumption and inefficient operation.

- Remove all items and unplug the appliance.
- After defrosting, clean the appliance and allow it to dry.
- Plug in the refrigerator and wait 4 to 6 hours for the unit to be at the correct temperature before putting your items back.

Extended Absence

- If the unit will be switched off for a long time, remove all items, turn off the appliance and clean the unit thoroughly.
- Leave the door open and place the unit in a well ventilated area to avoid build up of odor.

The following phenomenon is normal

- The sound like a rivulet is caused by the refrigerant flowing inside of the system pipe.
- While the unit runs, heat is emitted from both sides of the cabinet.
- When the environment is too humid, the edges around door may have a little moisture. Simply wipe it with a dry cloth.

Troubleshooting

Before calling for service, please check the following issues first

Problems	Possible causes	Remedy
The unit does not operate	Bad connection of plug or burnt out fuse	Unplug the power cord and re-connect the plug to power supply or replace with a new fuse
Abnormal operation of the compressor or there is a buzzing sound	The power voltage is out of rated range	Disconnect the power supply immediately and reconnect with it after normal voltage. It is necessary to have a voltage stabilizer in case of poor power supply.
Compressor operates for a long time and no frost on the surface of the evaporator	Refrigeration system is at fault (leakage or blocked)	Call for service
There is frost or ice on the walls of the inner cabinet and internal temperature is too low, the compressor never stops running.	Thermostat does not work	Call for service
	The temperature setting of the thermostat is too low.	Adjust to a higher temperature
The internal temperature is too high, and the compressor never stops operating.	Bad heat dissipation and ventilation of condenser	Improve ventilation
	Too many warm items were put in at one time	Remove some goods so air can circulate
	Door is being opened too frequently during initial cool down	Permit the unit to cool down adequately, prevent product access during this
Too noisy	The unit is not level	Adjust the adjustable legs
	The fastener of the unit is loose	Tighten the loose fastener
	Pipe near the compressor are touching	Carefully separate the touching pipes
The side of unit is hot	The condenser in the side wall gives out heat as part of normal operation	This is normal. No action needed.
Sometimes a light sound of water flowing will be heard	Refrigerant flowing inside the pipe.	This is normal. No action needed.
There may be condensation on the glass door	High ambient temperature or humid conditions	Dry with a cloth

Technical Parameters

Model No.	CMV 400
Category	Pharmaceutical Ref.
Capacity	3.9 cu.ft.
Rated Voltage / Frequency	110V / 60Hz
Refrigerant	R600a
Type of Defrost	No Frost
Thermostat	Electronic
Temperature Range	35.6° F to 46.4° F
Certification	UL & ETL
Weight (Net/Gross) lbs	82 / 89
Product Dimensions (H*W*D) inches	35 x 24 x 21.3
Package Dimensions (H*W*D) inches	35.8 x 25.2 x 23.2

Technical Parameters

Model No.	CMV 1300 G
Category	Pharmaceutical Ref.
Capacity	12.7 cu.ft.
Rated Voltage / Frequency	110 V / 60Hz
Refrigerant	R600a
Type of Defrost	No Frost
Thermostat	Electronic
Temperature Range	35.6° F to 46.4° F
Certification	UL & ETL
Weight (Net/Gross) lbs	157 / 189
Product Dimensions (H*W*D) inches	64 x 23.4 x 28
Package Dimensions (H*W*D) inches	65 x 25.2 x 30

