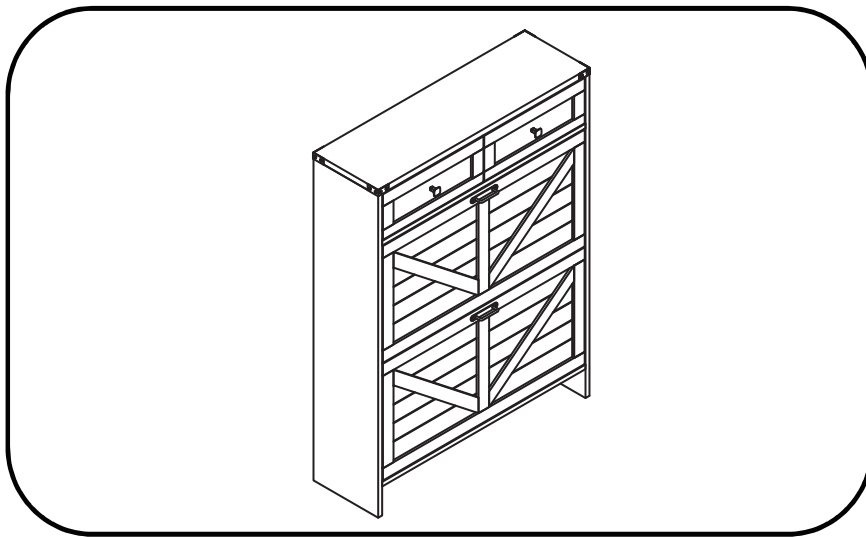




N A O M I
H O M E[®]

Berenice Farmhouse Shoe Cabinet



Assembly Instructions

Product Dimensions:
31.50"L×9.45"D×42.13"H

Please take a moment to read through the entire instruction booklet before assembly to familiarize yourself with this product. Once you feel ready to start, follow the instructions step by step and this should make this process as easy as we could make it for you.

If you need help or have damaged or missing parts, contact customer service at www.NaomiHome.com.

Warning: Replacement parts may be obtained from any of our www.NaomiHome.com dealers

© 2025 Naomi Home, Inc. - All Rights Reserved.

WARNING CAUTION

ADULT ASSEMBLY REQUIRED

CHOKING HAZARD

- This product includes small parts, sharp points and sharp edges in its unassembled state. Keep unassembled parts away from children under 3 years of age, and animals.

SAFETY WARNINGS

- Follow the information on the warnings appearing on table and on the carton. Do not remove warning label from cabinet.
- Do not allow children under 3 years of age to use the cabinet.
- Do not use substitute parts. Contact the manufacturer or dealer for replacement parts.

FURNITURE TIP-OVER HAZARD

Children have died from furniture tip-over

To reduce the risk of furniture tip-over:

- ALWAYS install tip-over restraint especially if used by a wall or in the open.
- NEVER put a TV on this product
- NEVER allow children to stand, climb or hang on drawers, doors, or shelves.
- NEVER open more than one drawer at a time.
- ALWAYS place heaviest items in lowest cabinet.

PARENTAL SUPERVISION IS REQUIRED

- Parents or Guardians should supervise use under the intended age specifically regarding children that may have access to it and climb on the unit.
- Do not allow horseplay on, under, or behind the unit and prohibit jumping on the cabinet.
- If used improperly, your table may be pulled over or fall, creating risk of injury or damage. Children should not be permitted to climb or pull on the cabinet.

USE, MAINTENANCE & ASSEMBLY

- Periodically check and ensure that the components are in their proper position, free from damage, and that all connectors are tight.
- Use on level surfaces only. Assemble on a soft level surface to avoid damage to unit or floor.
- Do not use this item if any components are missing or damaged.
- Do not use substitute parts. Contact the manufacturer or dealer for replacement parts.
- Only clean using damp cloth and mild detergent, do not use bleach or abrasive cleaners.
- Check you have all components and tools listed on page 4
- Do not stand or put weight on this product during assembly, this could cause damage.
- Remove all hardware from the plastic bags and separate them into groups.
- Assemble the item as close to its final position (in the same room) as possible.
- Certain assembly steps may be easier with 2 people.
- Dispose of all packaging carefully and responsibly.
- We do not recommend power screwdrivers. Only use hand screwdrivers to prevent damage to unit.
- Keep these instructions for future reference.

Enfants morts suite au basculement d'un meuble.

Afin de limiter le risque de basculement de meuble:

- TOUJOURS utiliser les fixations anti-basculement.
- NE JAMAIS installer de TV sur ce produit.
- NE JAMAIS laisser d'enfants se tenir debout sur les tiroirs, portes ou étagères, y grimper ou s'y suspendre.
- NE JAMAIS ouvrir plus d'un tiroir à la fois.
- TOUJOURS placer les choses les plus lourdes dans les tiroirs du bas.

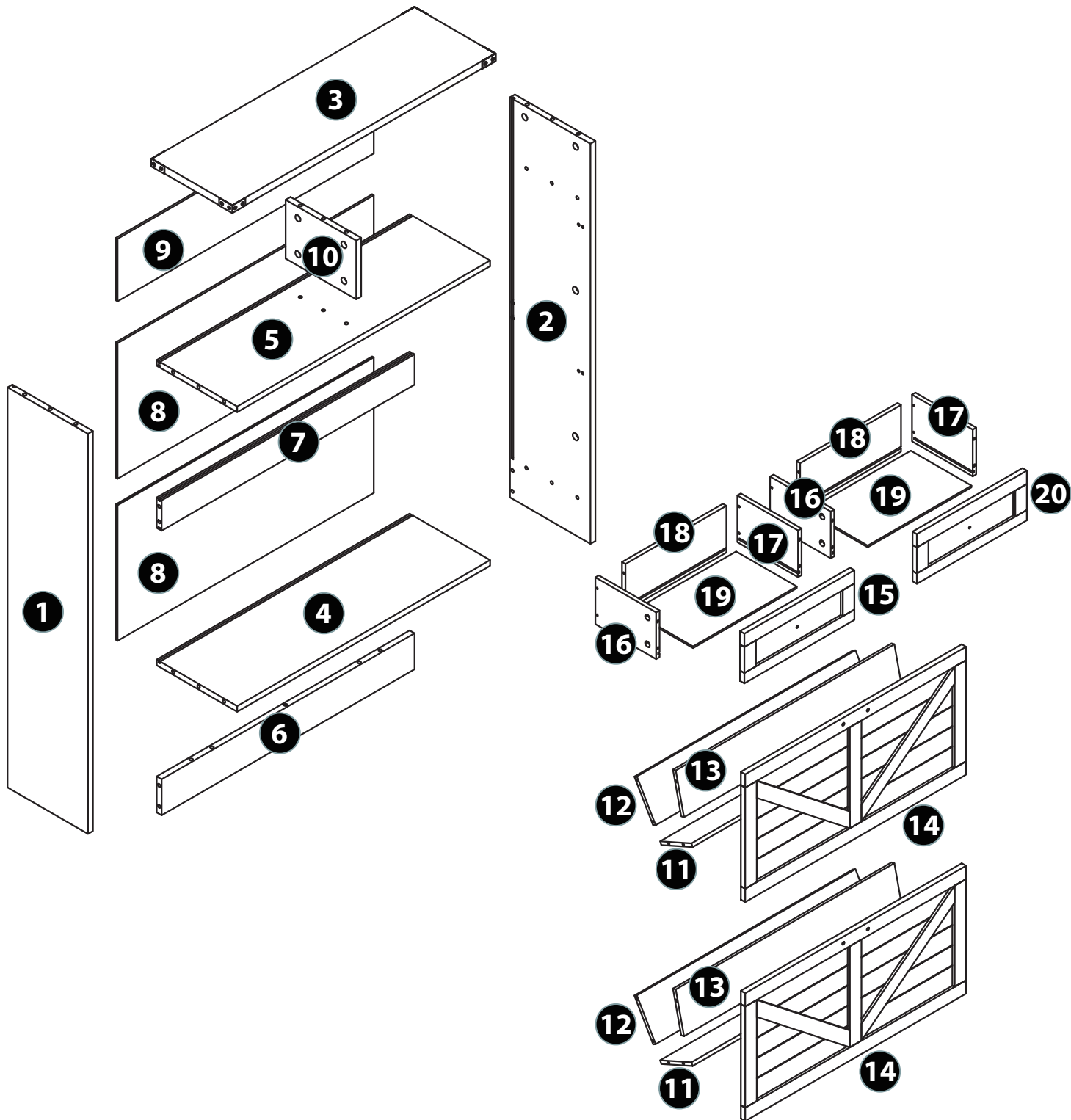
Han muerto niños por el vuelco de muebles.

Para limitar el riesgo de vuelco de los muebles:

- Utilizar SIEMPRE las fijaciones antivuelco que suministran.
- NUNCA instalar un TV sobre este producto.
- NUNCA permitir que los niños se pongan de pie, trepen o se cuelguen de los cajones, puertas o baldas.
- NUNCA abrir más de un cajón a la vez.
- Colocar los objetos más pesados en los cajones inferiores.

ASSEMBLY AT A GLANCE

Please take a moment to read through the whole instruction booklet before assembly to familiarize yourself with this product. Once you feel ready to start, follow the instructions step by step and this should make this process as easy as we could make it for you.

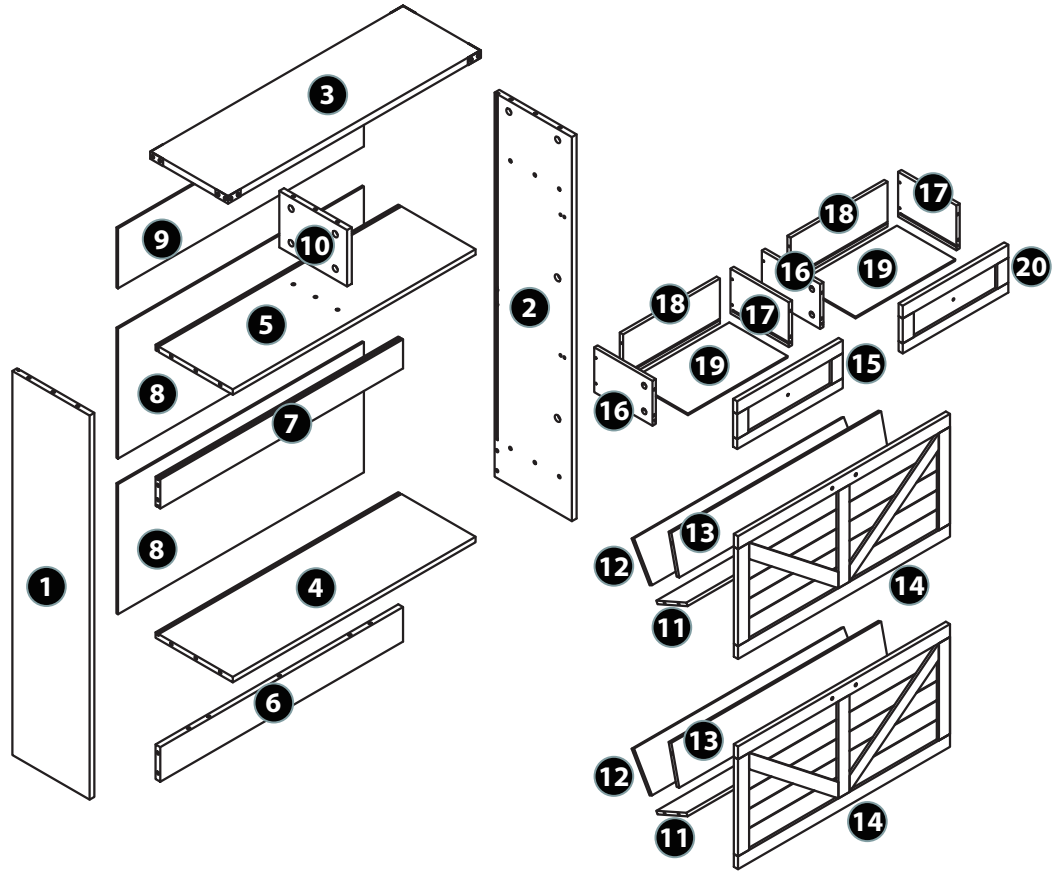


This drawing is to give you an overall idea only of how this assembly will go together and does not replace the assembly instructions.

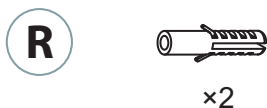
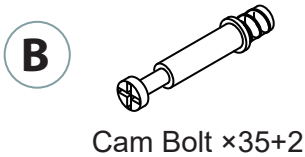
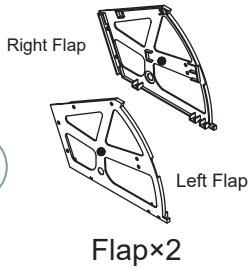
COMPONENT PARTS

Please check that you have all the parts listed below

1. Left Panel x1
2. Right Panel x1
3. Top Panel x1
4. Bottom Panel x1
5. Middle Panel x1
6. Bottom Support Panel x1
7. Middle Back Support Panel x1
8. Back Panel x2
9. First Back Panel x1
10. Inner Support Panel x1
11. Cabinet Bottom Panel x2
12. Cabinet First Panel x2
13. Cabinet Second Panel x2
14. Cabinet Panel x2
15. Left Drawer Front Panel x1
16. Drawer Left Panel x2
17. Drawer Right Panel x2
18. Drawer Back Panel x2
19. Drawer Bottom Panel x2
20. Right Drawer Front Panel x2



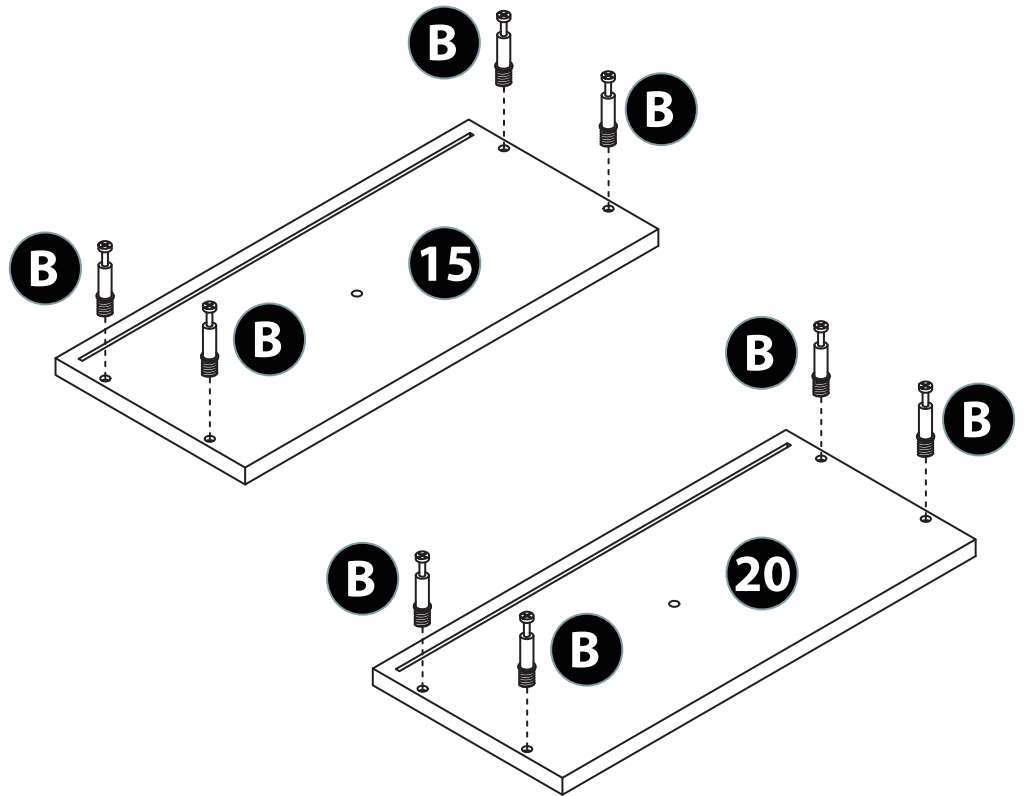
ASSEMBLY HARDWARE



ASSEMBLY INSTRUCTIONS

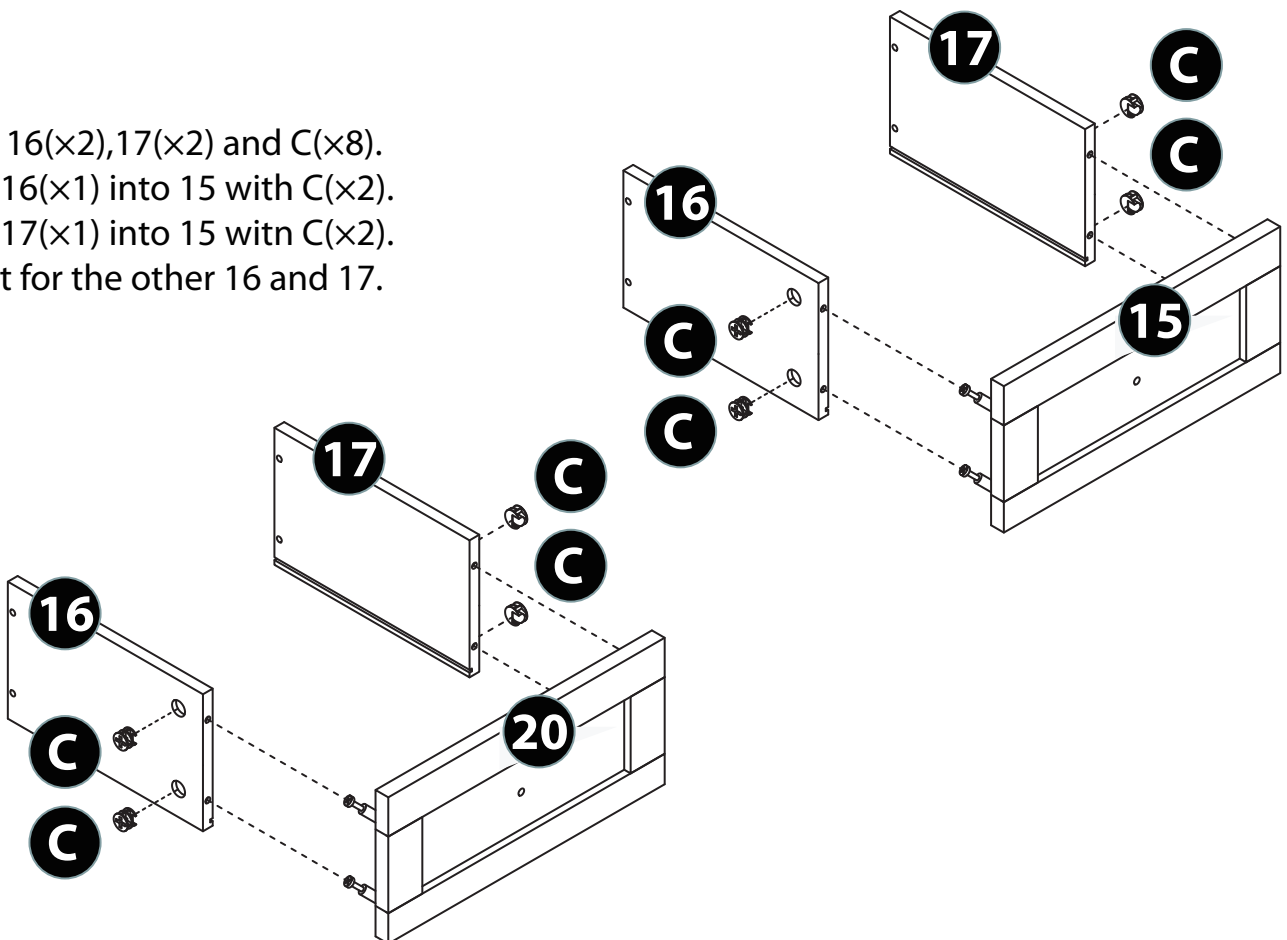
1

Select 15 (×1), 20(×1) and B(×8).
Insert B(×4) into 15.
Repeat for 20.



2

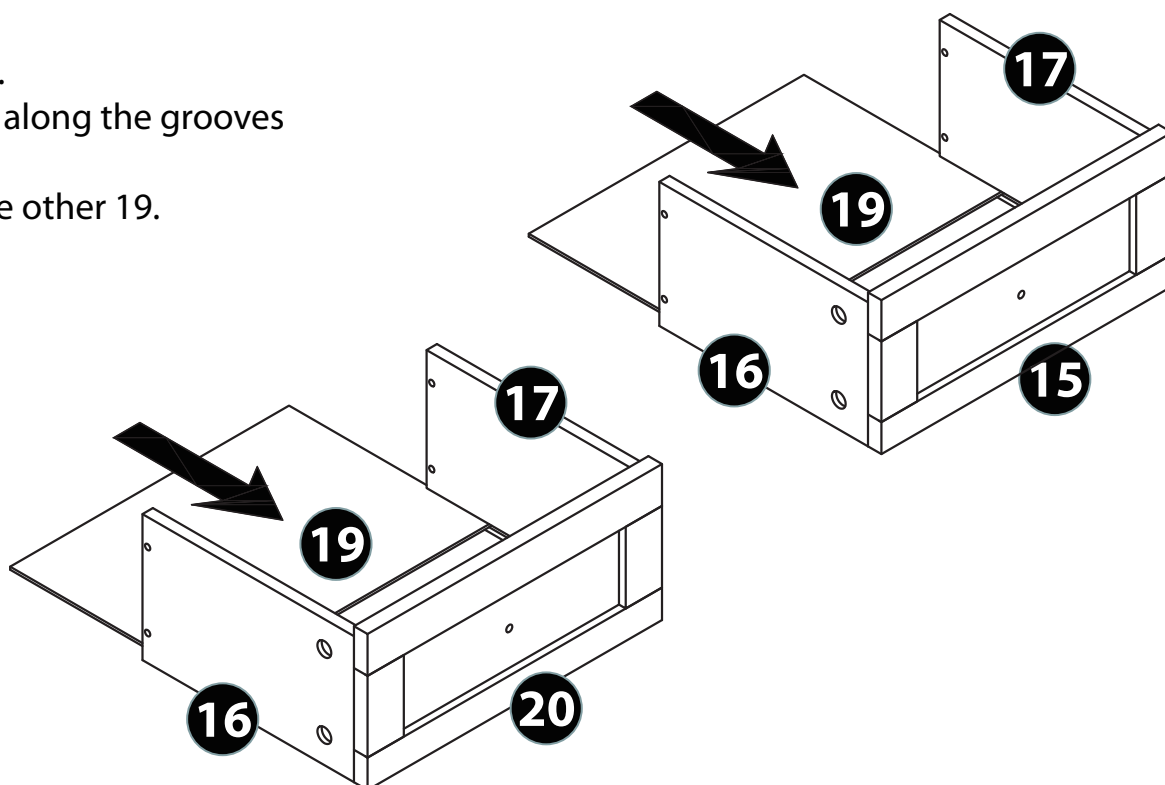
Select 16(×2), 17(×2) and C(×8).
Insert 16(×1) into 15 with C(×2).
Insert 17(×1) into 15 with C(×2).
Repeat for the other 16 and 17.



ASSEMBLY INSTRUCTIONS

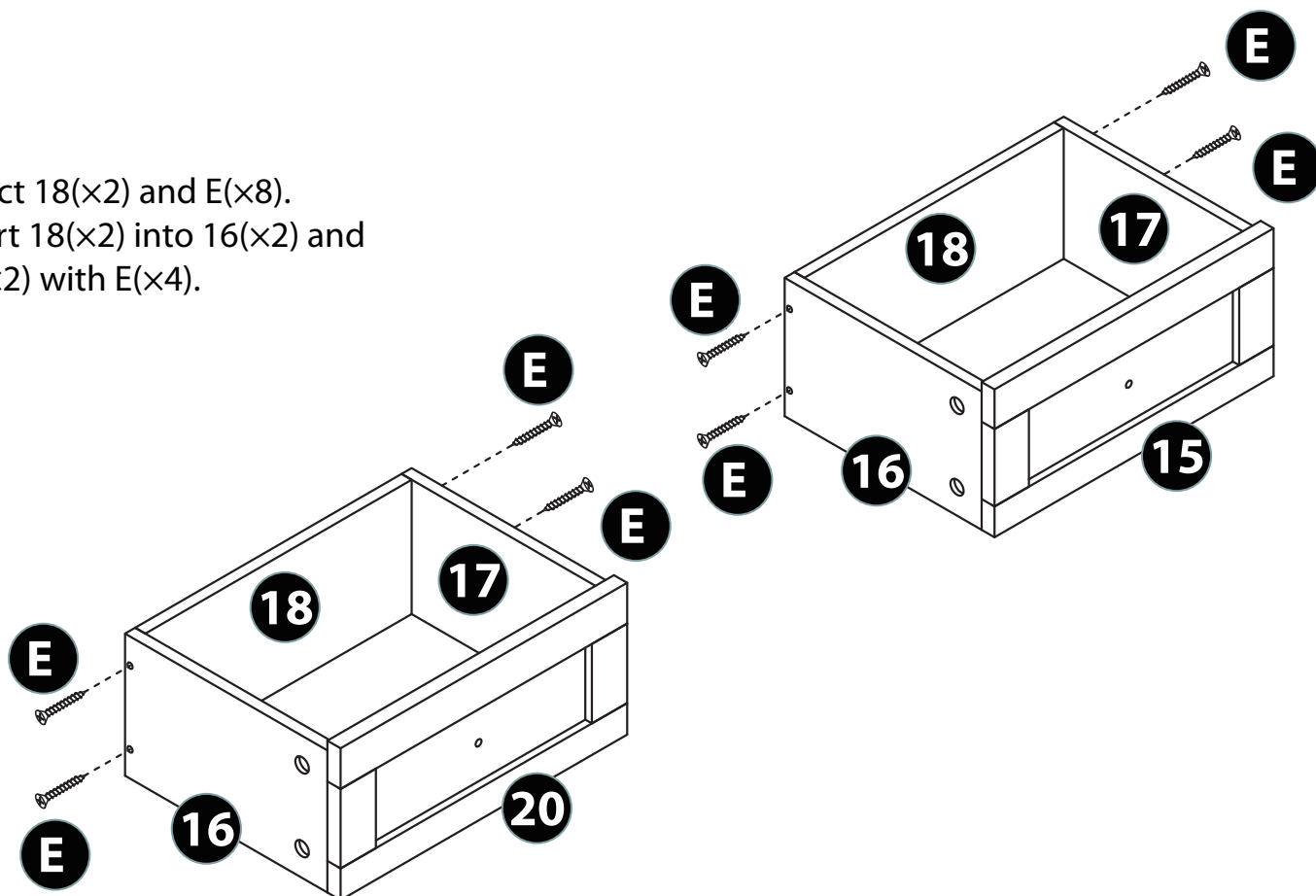
3

Select 19(x2).
Install 19(x1) along the grooves
of 16 and 17.
Repeat for the other 19.



4

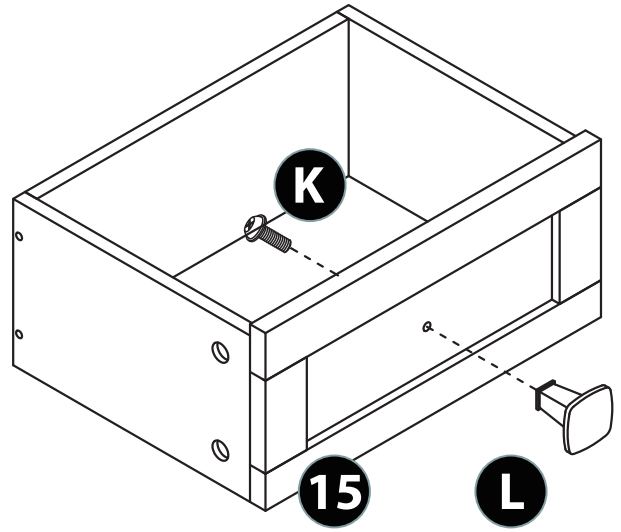
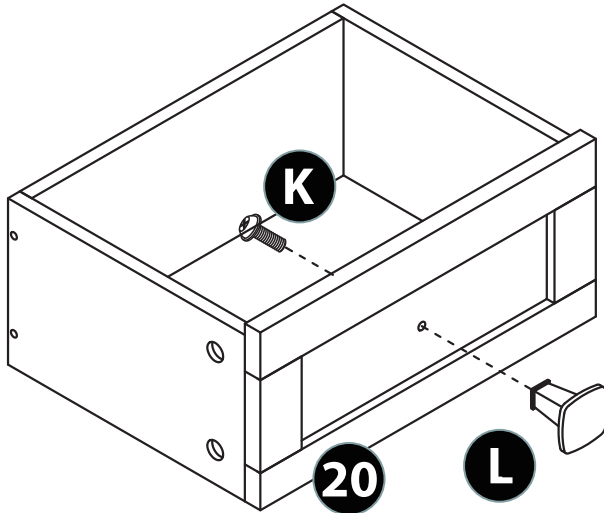
Select 18(x2) and E(x8).
Insert 18(x2) into 16(x2) and
17(x2) with E(x4).



ASSEMBLY INSTRUCTIONS

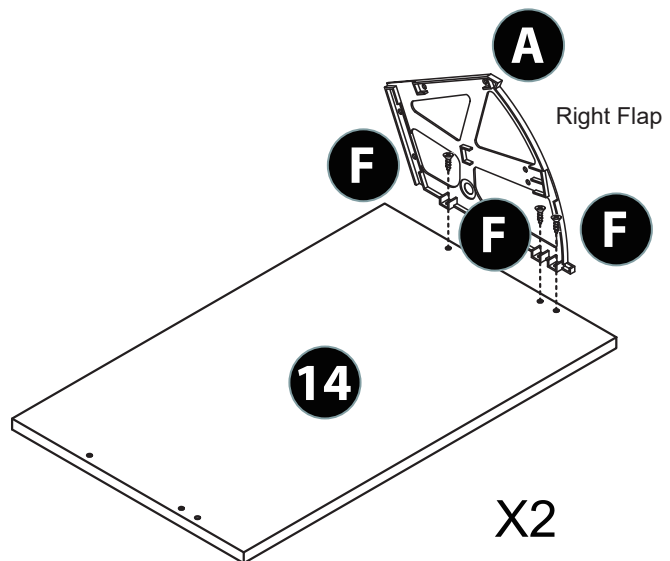
5

Select K(x2) and L(x2).
Insert K(x1) into 20 into L(x1).
Repeat for 15.



6

Select 14(x2) ,(A) Right Flap(x2) and F(x6).
Insert (A) Right Flap(x2) into 14(x2)
with F(x6).



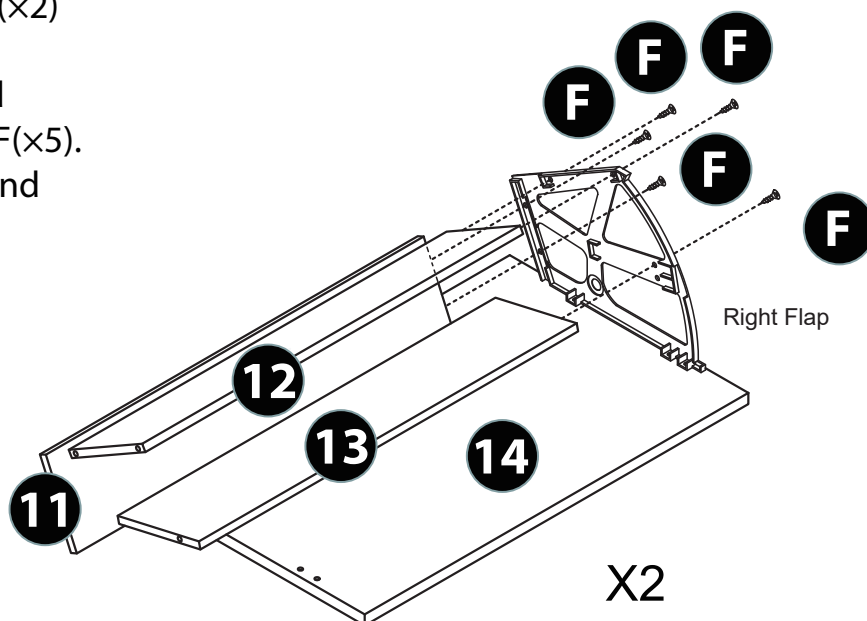
ASSEMBLY INSTRUCTIONS

7

Select 11(x2), 12(x2),13(x2),14(x2) and F(x10).

Insert 11(x1),12(x1),13(x1) and 14(x1) into (A) Right Flag with F(x5).

Repeat for the other 11,12,13 and 14.

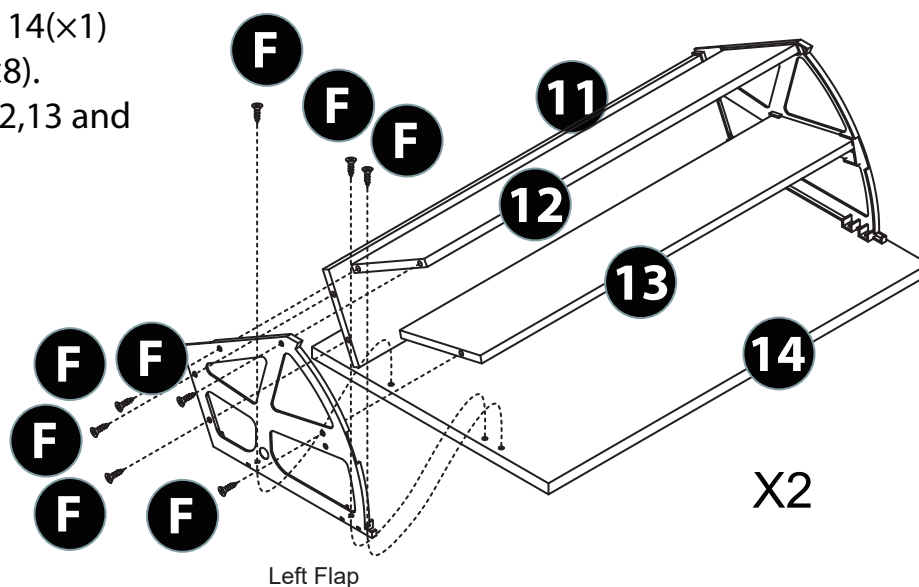


8

Select (A) Left Flag(x2) and F(x16).

Insert one side of 11(x1),12(x1),13(x1) and 14(x1) into (A) Left Flag with F(x8).

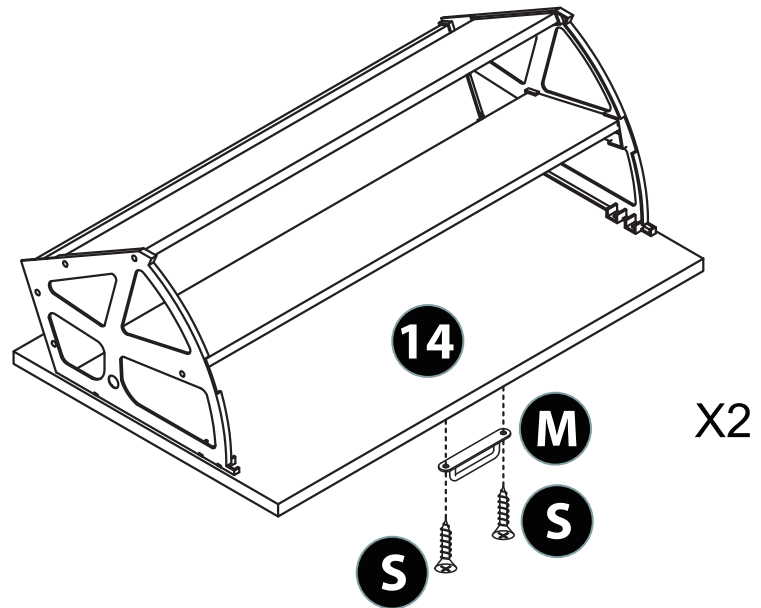
Repeat for the other 11,12,13 and 14.



ASSEMBLY INSTRUCTIONS

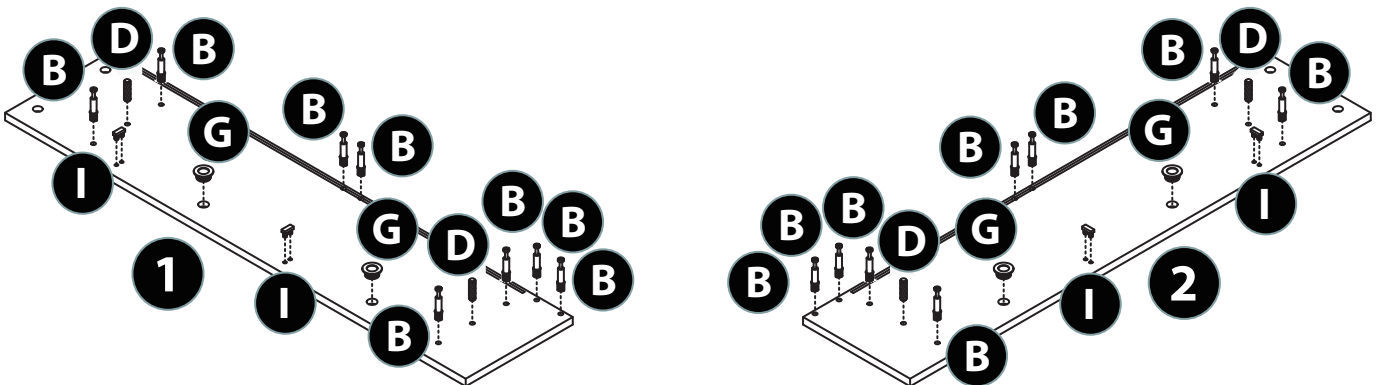
9

Select M(x2) and S(x4).
Insert M(x1) into 14 with S(x2).
Repeat for the other M.



10

Select 1(x1), 2(x1), B(x16), D(x4), G(x4) and I(x4).
Insert B(x8), D(x2), G(x2) and I(x2) into 1.
Repeat for 2.



ASSEMBLY INSTRUCTIONS

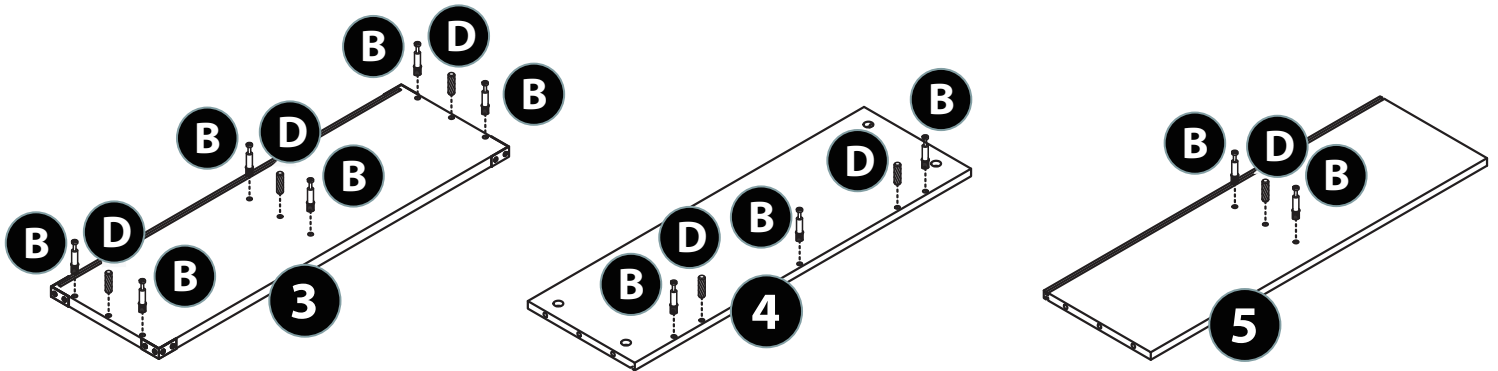
11

Select 3(x1), 4(x1), 5(x1), B(x11)
and D(x6).

Insert B(x6),D(x3) into 3.

Insert B(x3),D(x2) into 4.

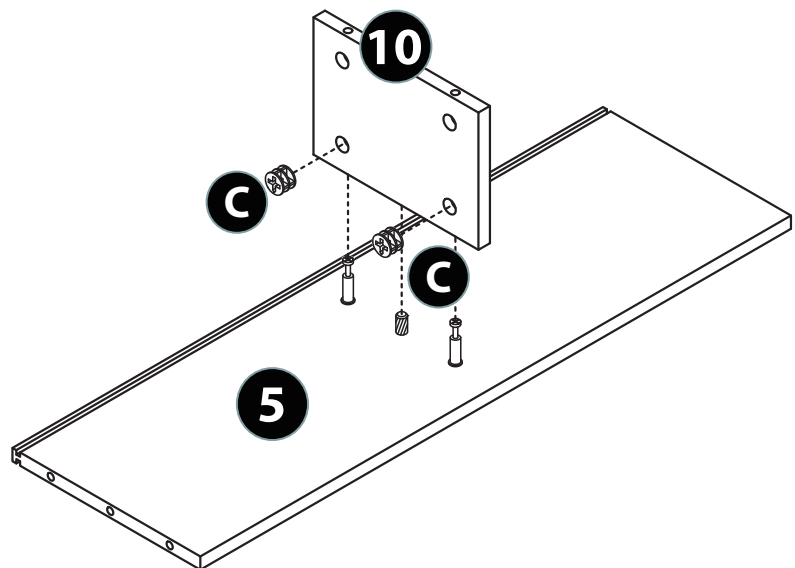
Insert B(x2),D(x1) into 5.



12

Select 10(x1) and C(x2).

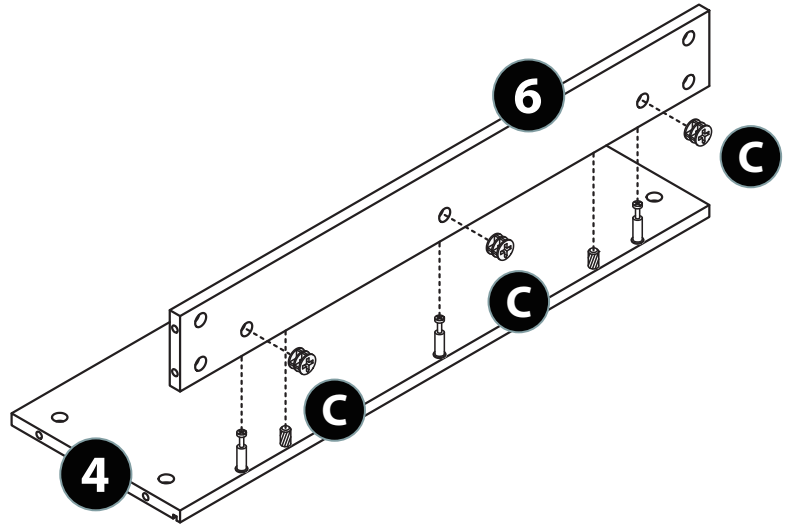
Insert 10(x1) into 5 with C(x2).



ASSEMBLY INSTRUCTIONS

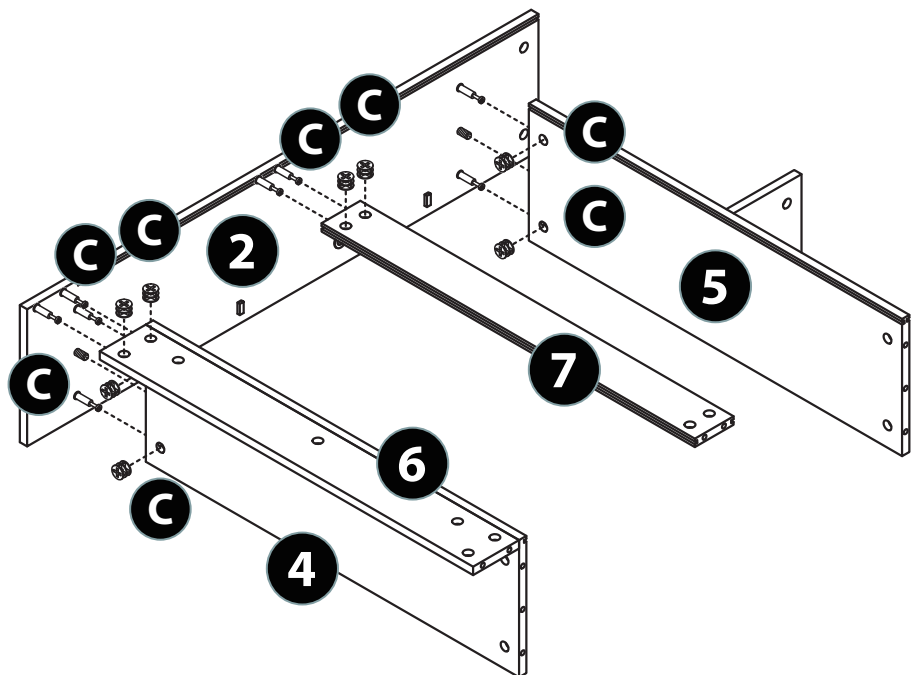
13

Select 4(x1), 6(x1) and C(x3).
Insert 6(x1) into 4 with C(x3).



14

Select 2(x1) and C(x8).
Insert 4 and 6 into 2 with C(x4).
Insert 7 into 2 with C(x2).
Insert 5 into 2 with C(x2).



ASSEMBLY INSTRUCTIONS

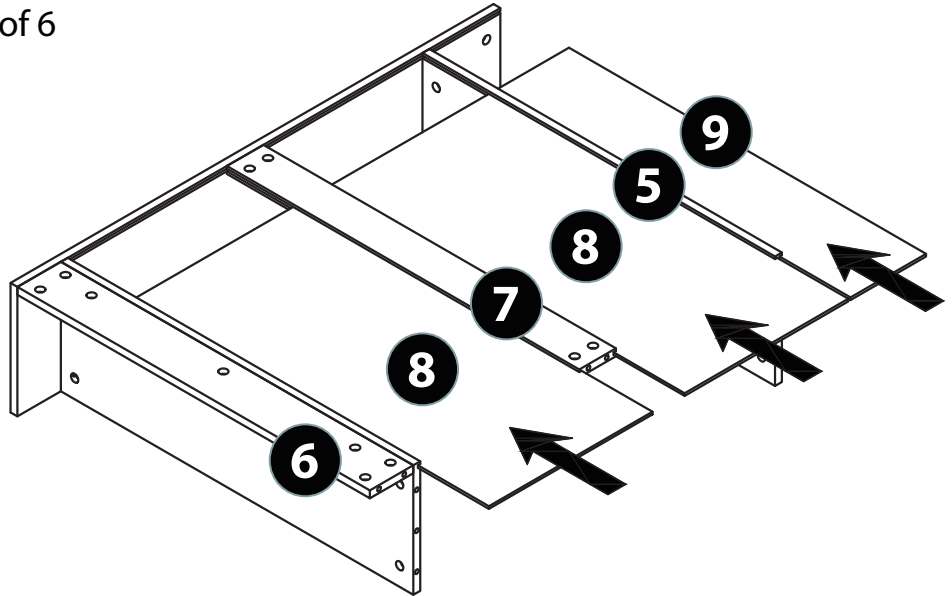
15

Select 8(x2) and 9(x1).

Install 8(x1) along the grooves of 6 and 7.

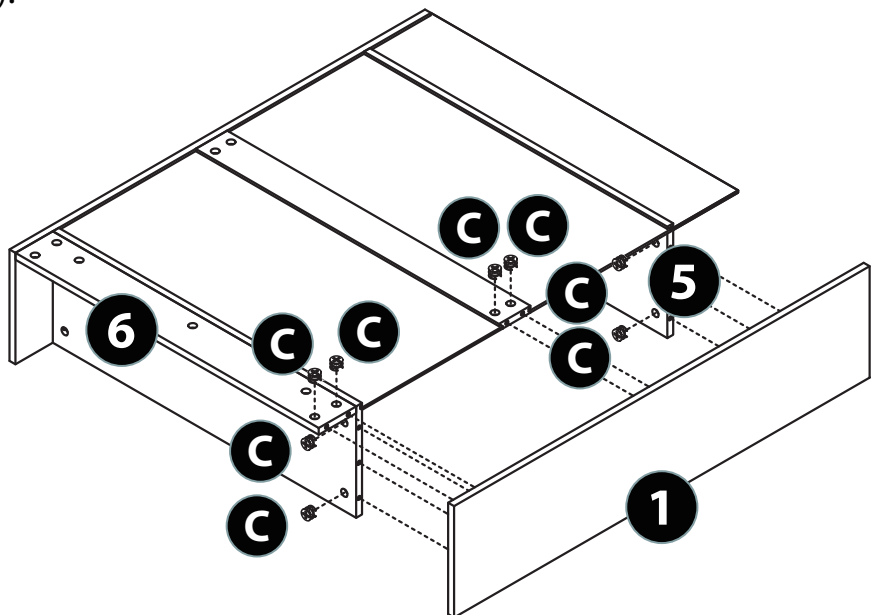
Install the other 8 along the grooves of 7 and 5.

Install 9 along the groove of 5.



16

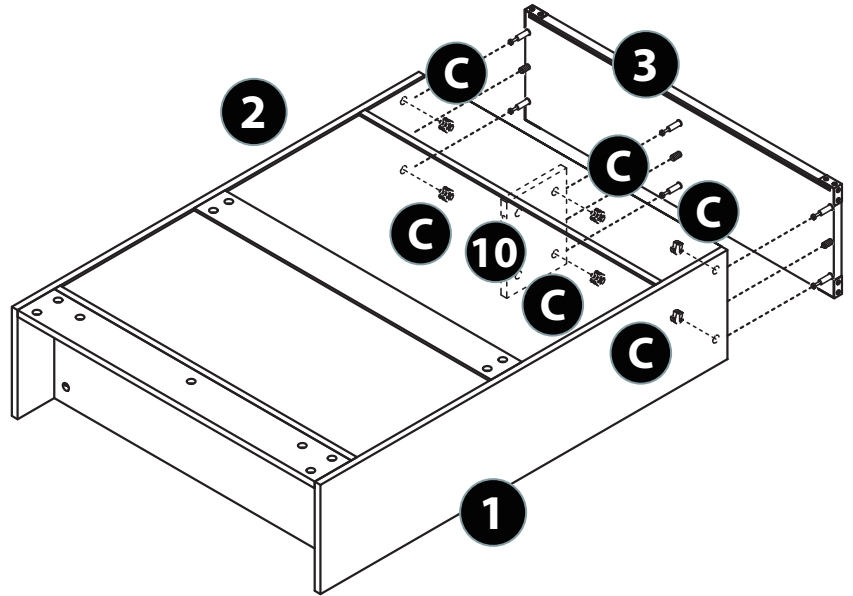
Insert 1 into 5 and 6 with C(x8).



ASSEMBLY INSTRUCTIONS

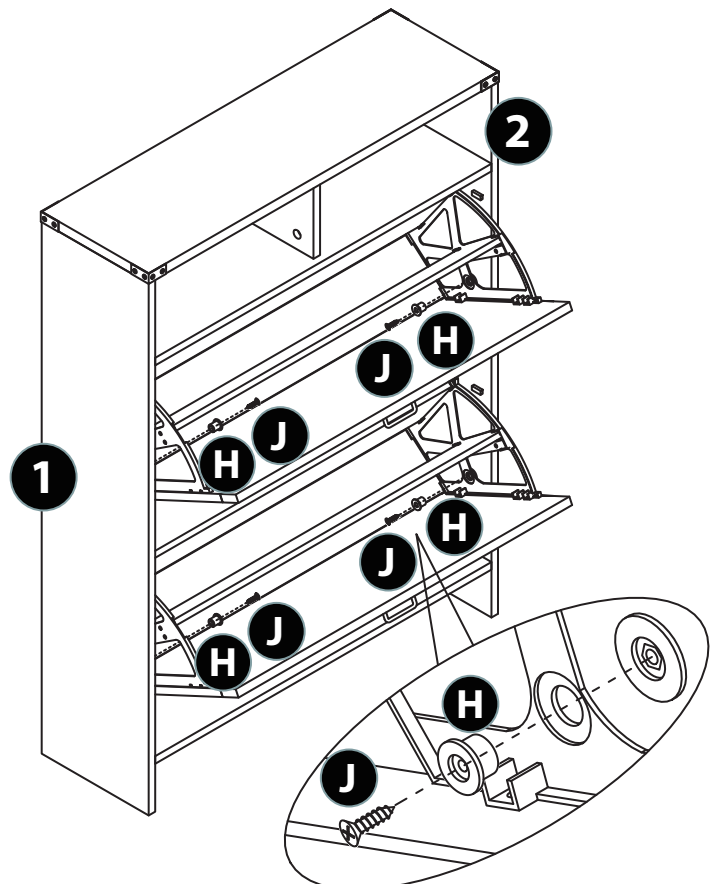
17

Select 3(x1).
Insert 3 into 1,2 and 10 with C(x6).



18

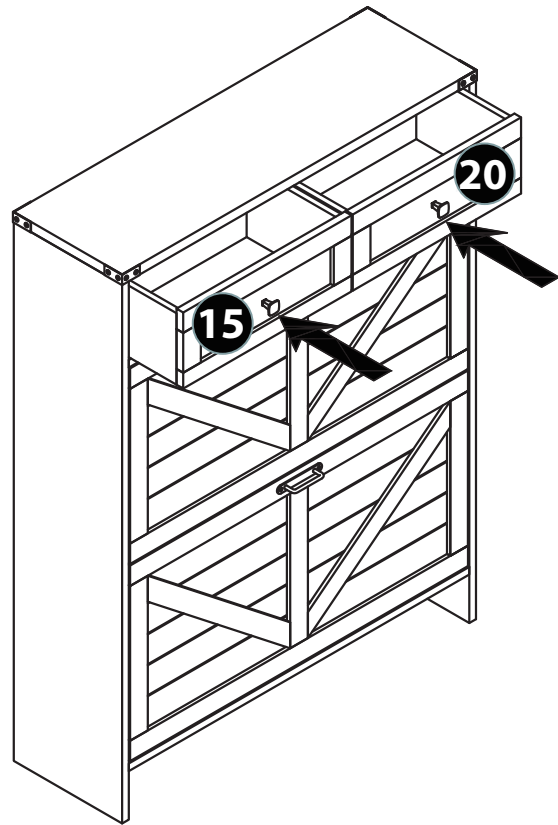
Insert J(x2) into H(x2) into 2.
Repeat for J(x2),H(x2) into 1.



ASSEMBLY INSTRUCTIONS

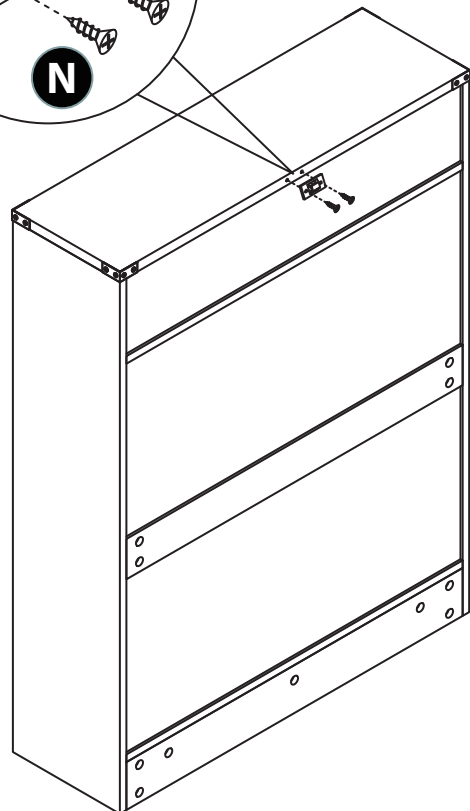
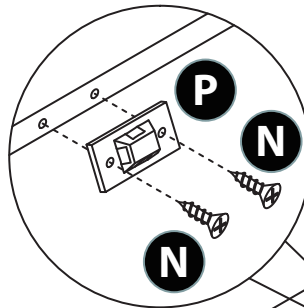
19

Pull two Drawers into Cabinet.



20

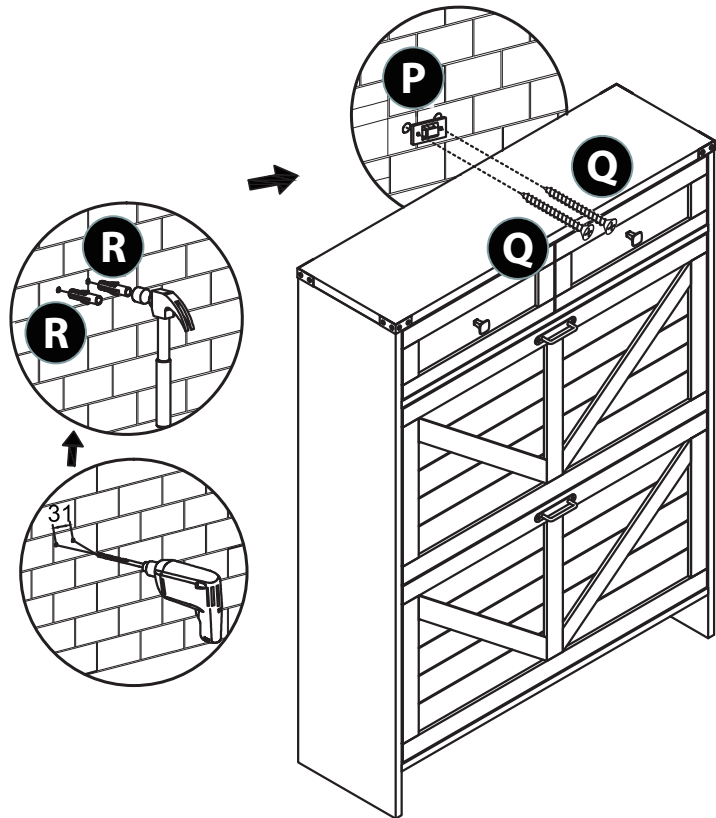
Select P(×1) and N(×2).
Insert N(×2) into P(×1) into the Cabinet.



ASSEMBLY INSTRUCTIONS

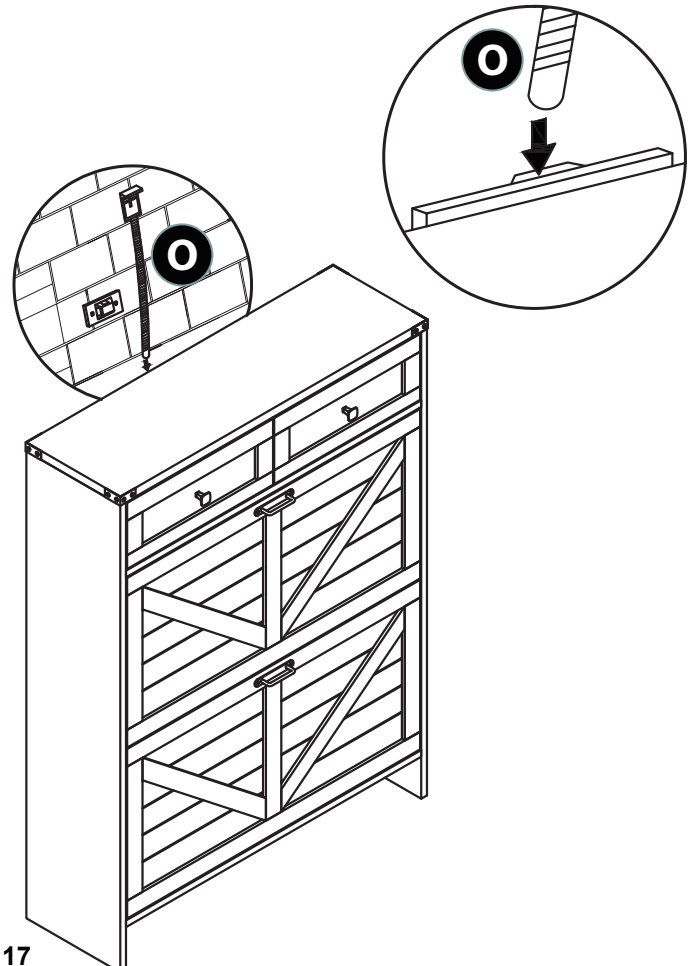
21

Insert R(x2) into the Wall.
Insert Q(x2) into P(x1) into R(x2).



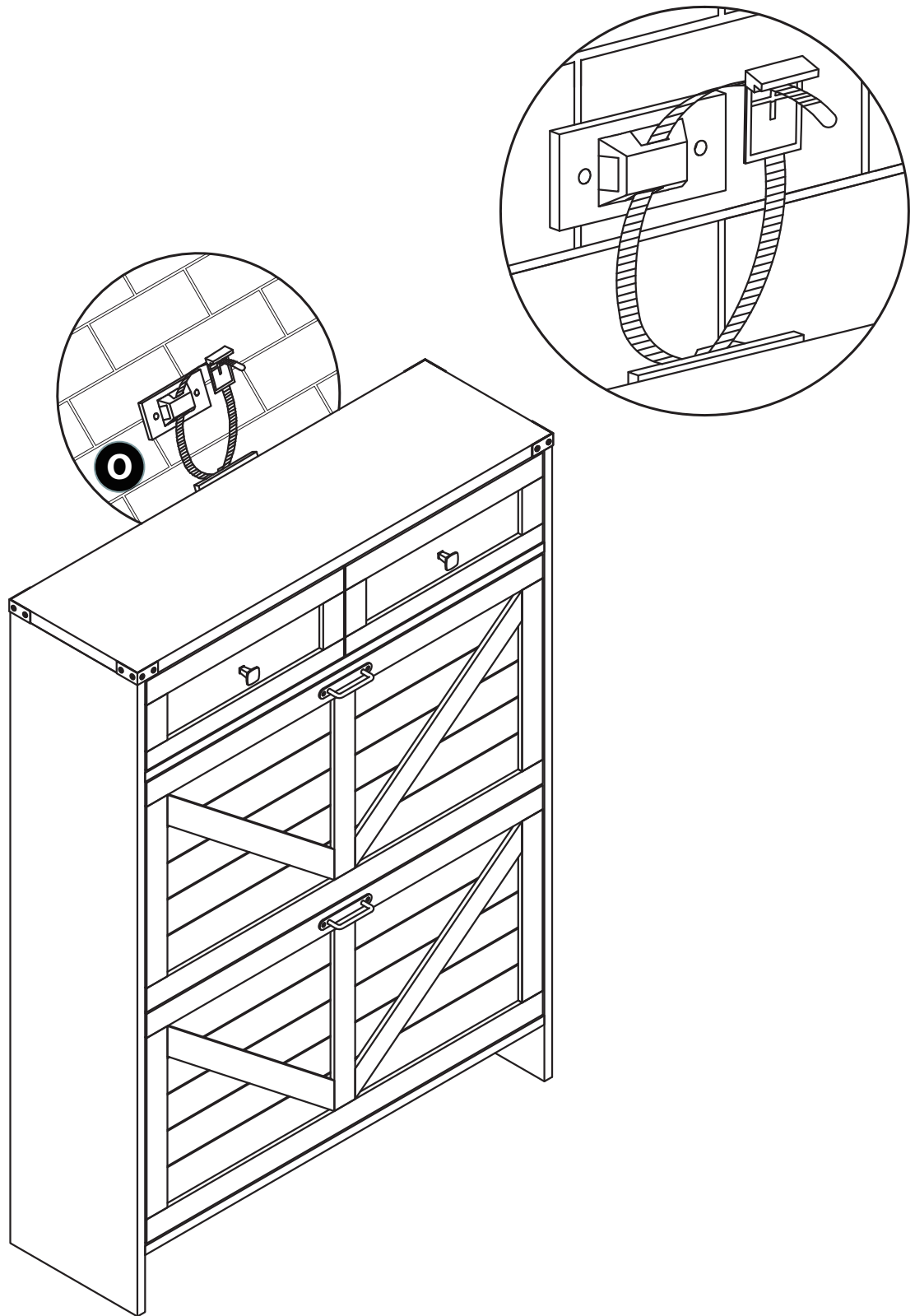
22

Firm the Cabinet with O(x1).

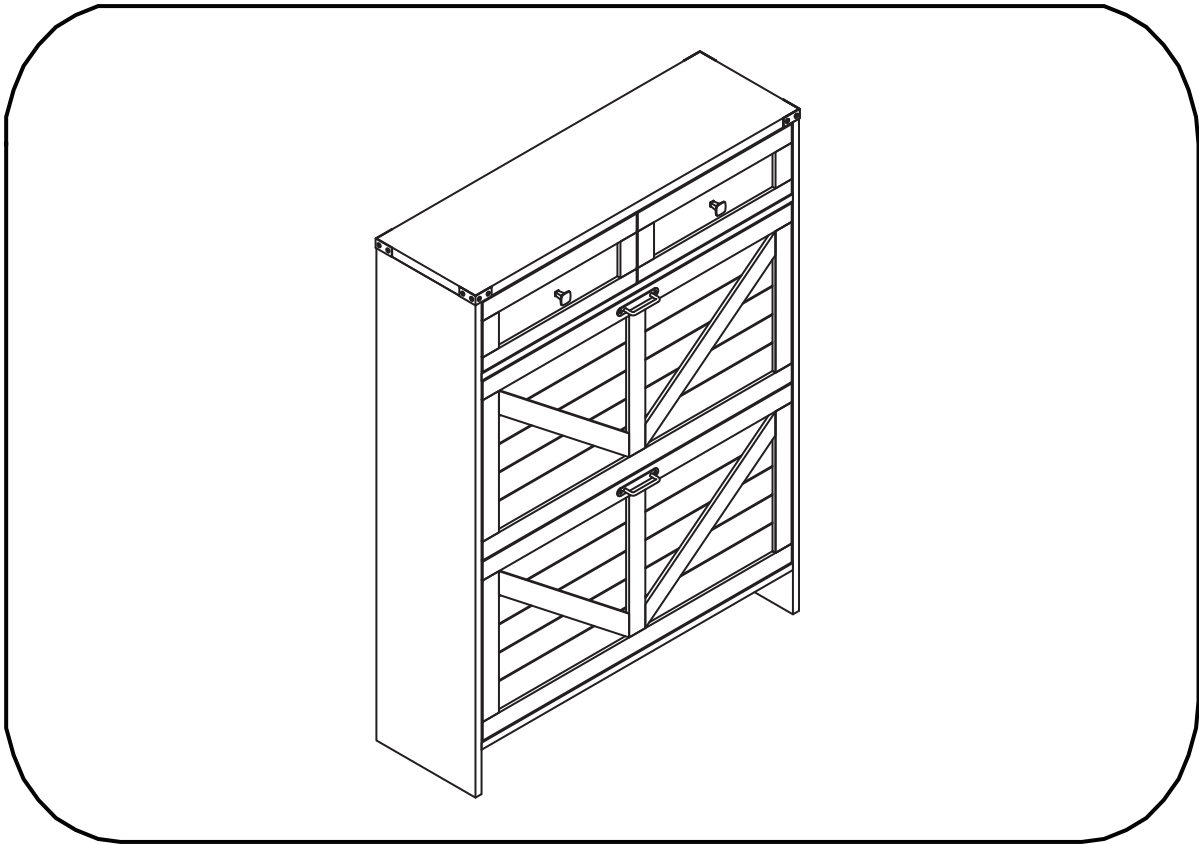


ASSEMBLY INSTRUCTIONS

23



ASSEMBLY COMPLETE



**CONGRATULATIONS, YOUR NAOMI HOME BERENICE FARMHOUSE
SHOE CABINET IS COMPLETE!**



NAOMI
HOME®

www.NaomiHome.com
MADE IN CHINA

Product Packaging Information

Model #: _____

Color: _____

Shipment Ref. #: _____

Date: _____