




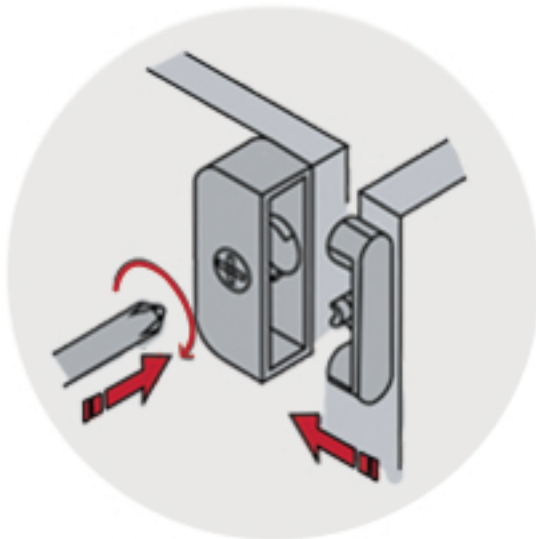
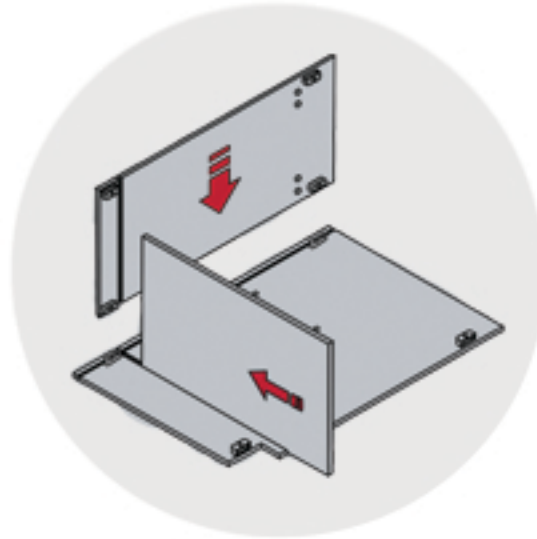


Code	A	B	C	D	E
Iron					
Number	4PS	8PS	2PS	2PS	6PS

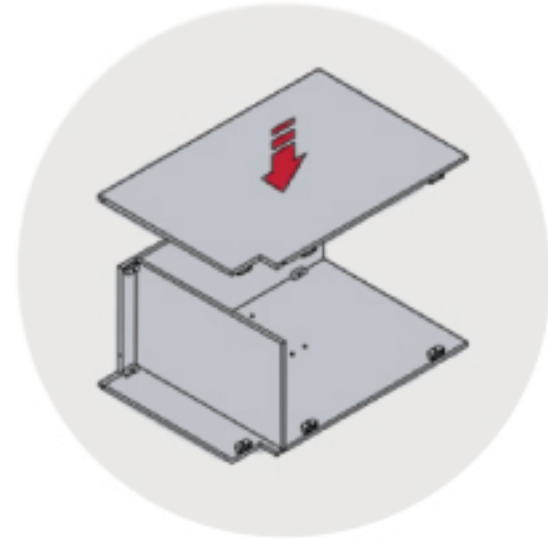
B24, B27, B30



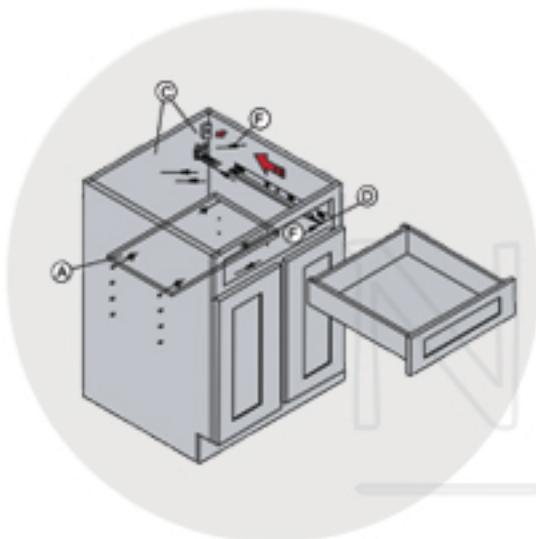
Example



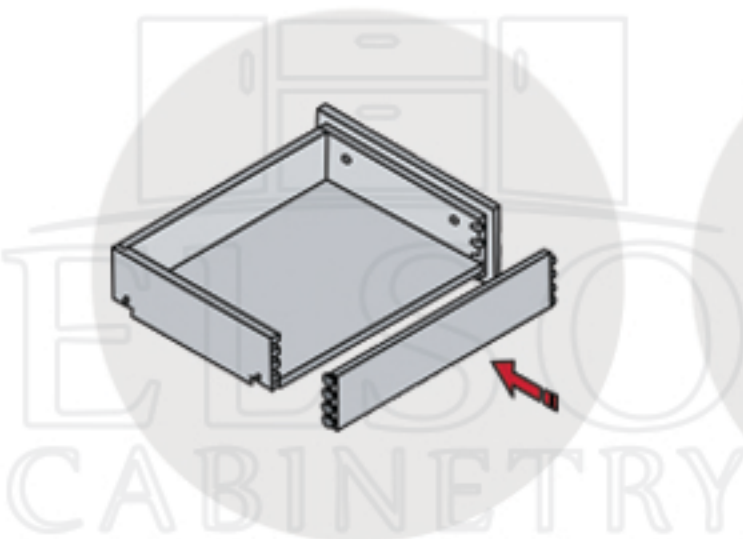
Step 1



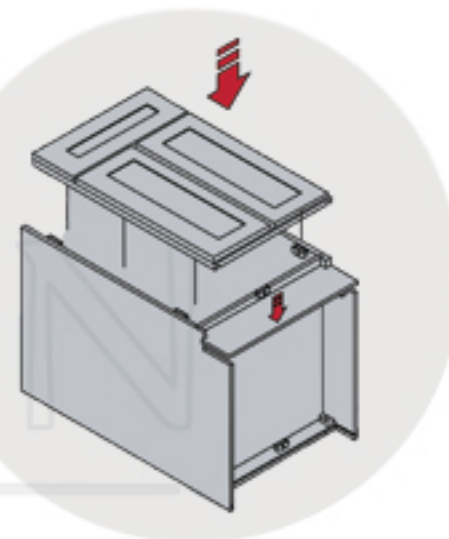
Step 2



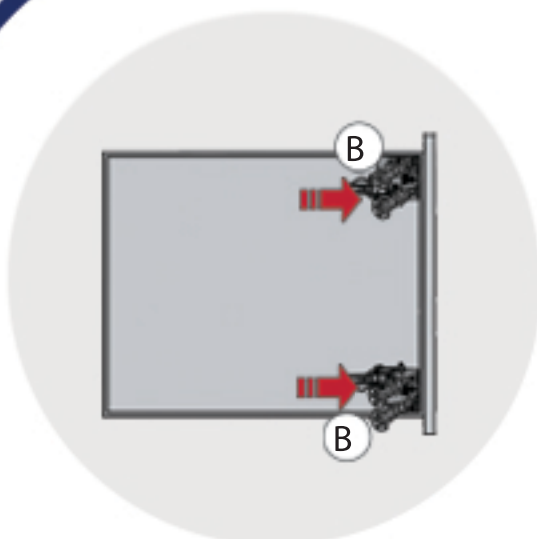
Step 5



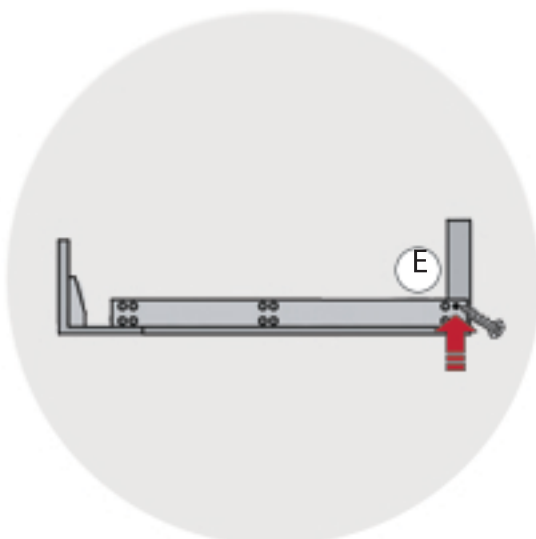
Step 4



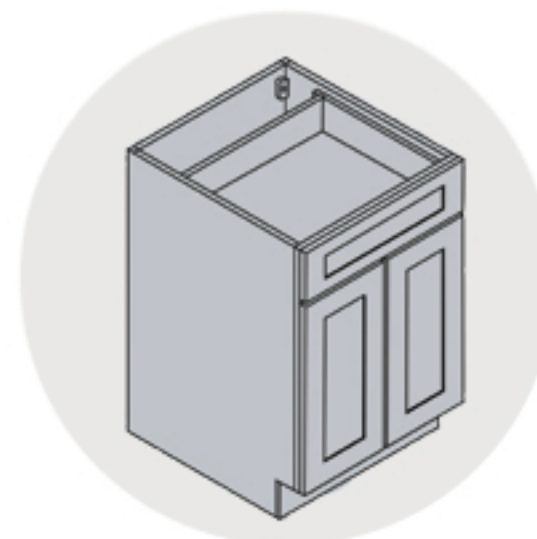
Step 3



Step 5.1



Step 5.2



Step 6

