

## Assembly Instruction Manual

### CAUTION:

Before installing fixture, make sure the power to the circuit is turned off at the main fuse box.

### IMPORTANT SAFETY INSTRUCTIONS:

These instructions are provided for your safety. It is very important that they are read carefully and completely before beginning the assembly and installation of this lighting fixture.  
We strongly recommend that a professional electrician install all direct wire fixtures.

### PRE-ASSEMBLY:

Remove all parts and hardware from box along with any plastic protective packaging.  
Do not discard any contents until after assembly is complete to avoid accidentally discarding small parts or hardware.  
For your safety, it is strongly recommended that two people install the lighting fixture.

### WARNING:

To reduce the risk of fire, electrical shock or personal injury, always turn off light fixture and allow it to cool prior to replacing the light bulb.  
Do not touch bulb when fixture is turned on; do not look directly at a lit bulb.  
Keep flammable materials away from lit bulb.

### TOOLS REQUIRED (not included):

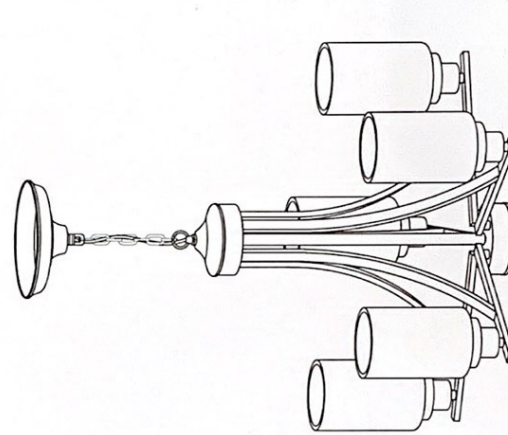
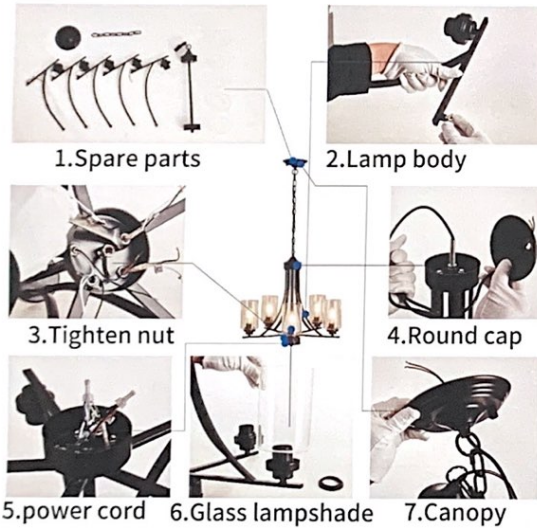
The following installation tools are for reference only.



### CARE INSTRUCTIONS:

Wipe clean with a soft, dry cloth or static duster.  
Always avoid the use of harsh chemicals or abrasive cleaners as they may cause damage the fixture's finish.

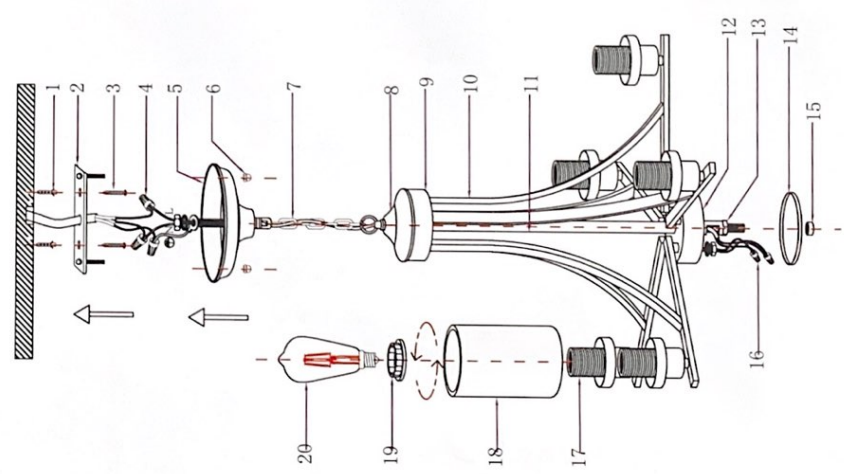
### PRODUCT RENDERING:



The installation sequence

(12) → (11) → (9) → (10) → (13)  
 (16) → (14) → (15) → (8) → (7)  
 (5) → (1) → (2) → (3) → (4)  
 (6) → (17) → (18) → (19) → (20)

- 1 :Rubber plug
- 2 :Hanging board
- 3 :Nut
- 4 :Wiring cap
- 5 :Canopy
- 6 :Screw
- 7 :Hanging chain
- 8 :Half dome
- 9 :Junction box
- 10 :Lamp arm
- 11 :Pole
- 12 :Junction box
- 13 :Nut
- 14 :Circular lid
- 15 :Nut
- 16 :Wiring cap
- 17 :Lamp holder
- 18 :Lamp shade
- 19 :Circular lid
- 20 :Bulb



Please open the lamp link to view the installation video or installation picture, which has detailed installation steps.