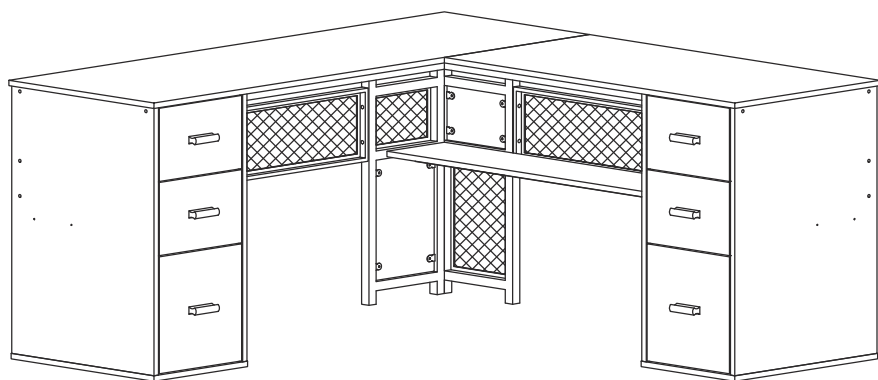


ASSEMBLY INSTRUCTION

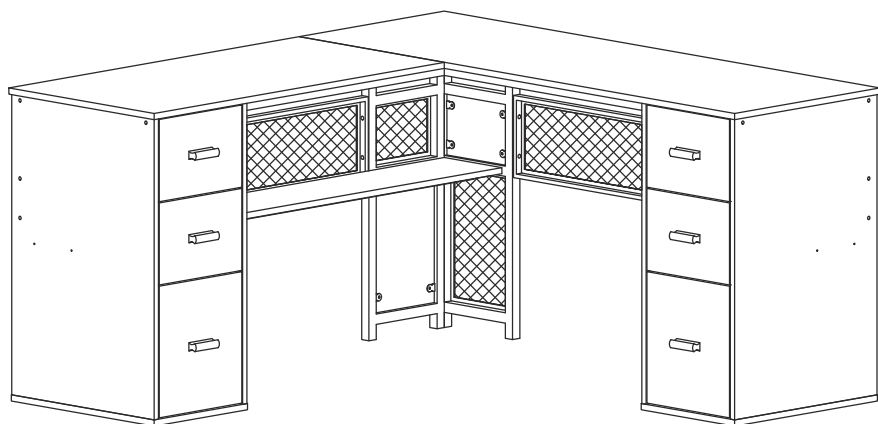
L Shape Desk

Important Note: The short desktop can be installed on the right side or the left side. It is up to your preference.



If you want to install short desktop on the RIGHT SIDE, please follow the instruction from Page 7 to Page 16.

Short desktop on the RIGHT side

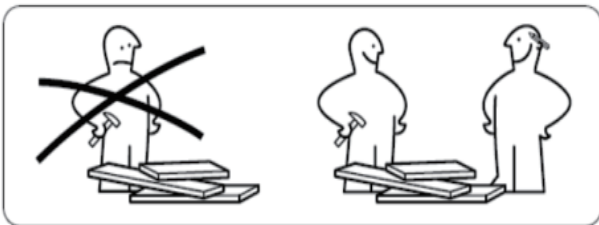


If you want to install short desktop on the LEFT SIDE, please follow the instruction from Page 17 to Page 25.

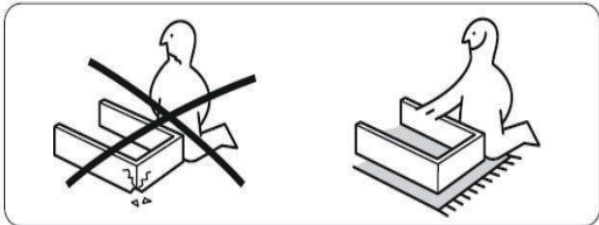
Short desktop on the LEFT side

ASSEMBLY TIPS

1. Please read the Assembly Instruction first and become familiar with the parts.
2. Proper assembly of this item requires 2 people.



3. Unpack and assemble this unit in an spacious area, assemble the unit on top of the empty carton or carpet to prevent scratches.



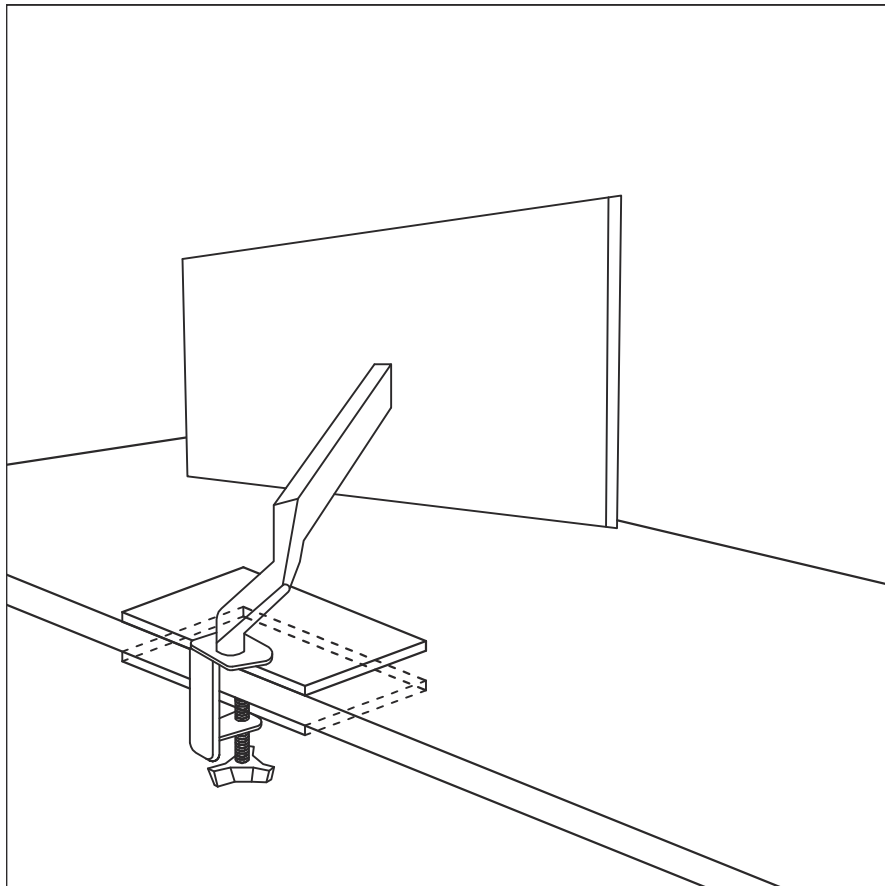
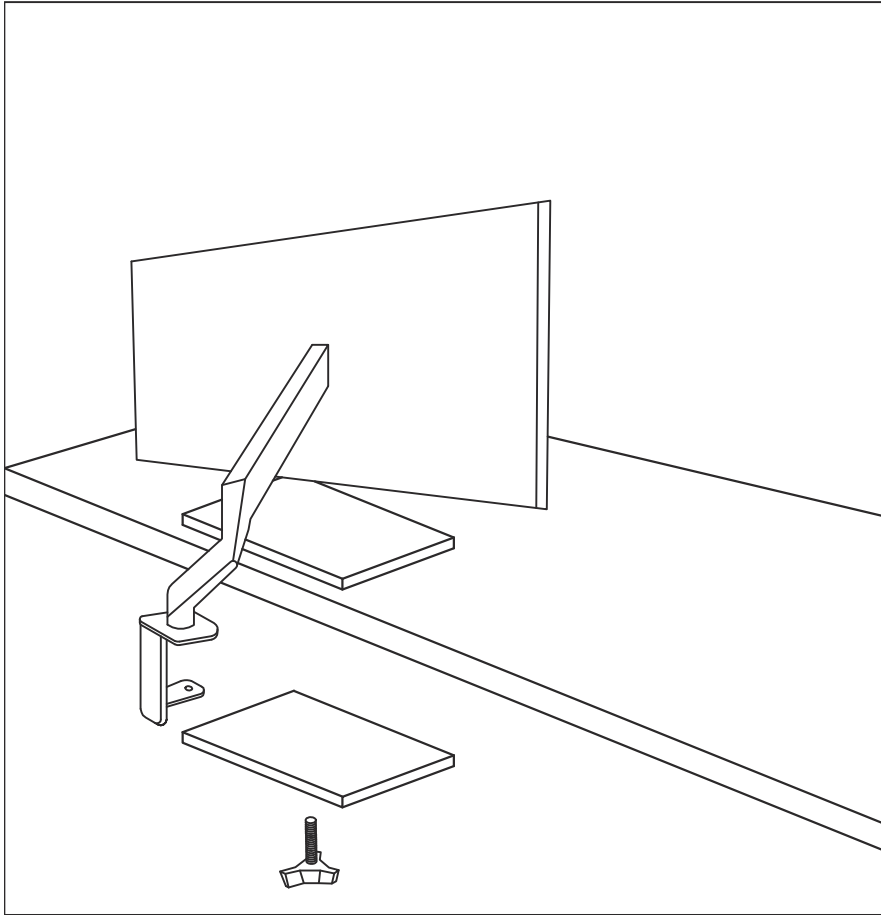
4. To avoid accidentally discarding small parts or hardware, DO NOT dispose of any contents until assembly is completed.
5. **Do not fully tighten all bolts until all parts are in place.** Failure to follow these instructions may cause the bolts to misalign during assembly.

CARE INSTRUCTIONS


- (1) Hardware may loosen overtime. Periodically check that all connections are tight.
- (2) Wipe with a soft, dry cloth. To protect finish, avoid the use of chemicals and household cleaners.
- (3) All hot serving dishes should be placed on a pad.
- (4) Any liquid spilled onto the furniture should be cleaned up immediately with a dry cloth.

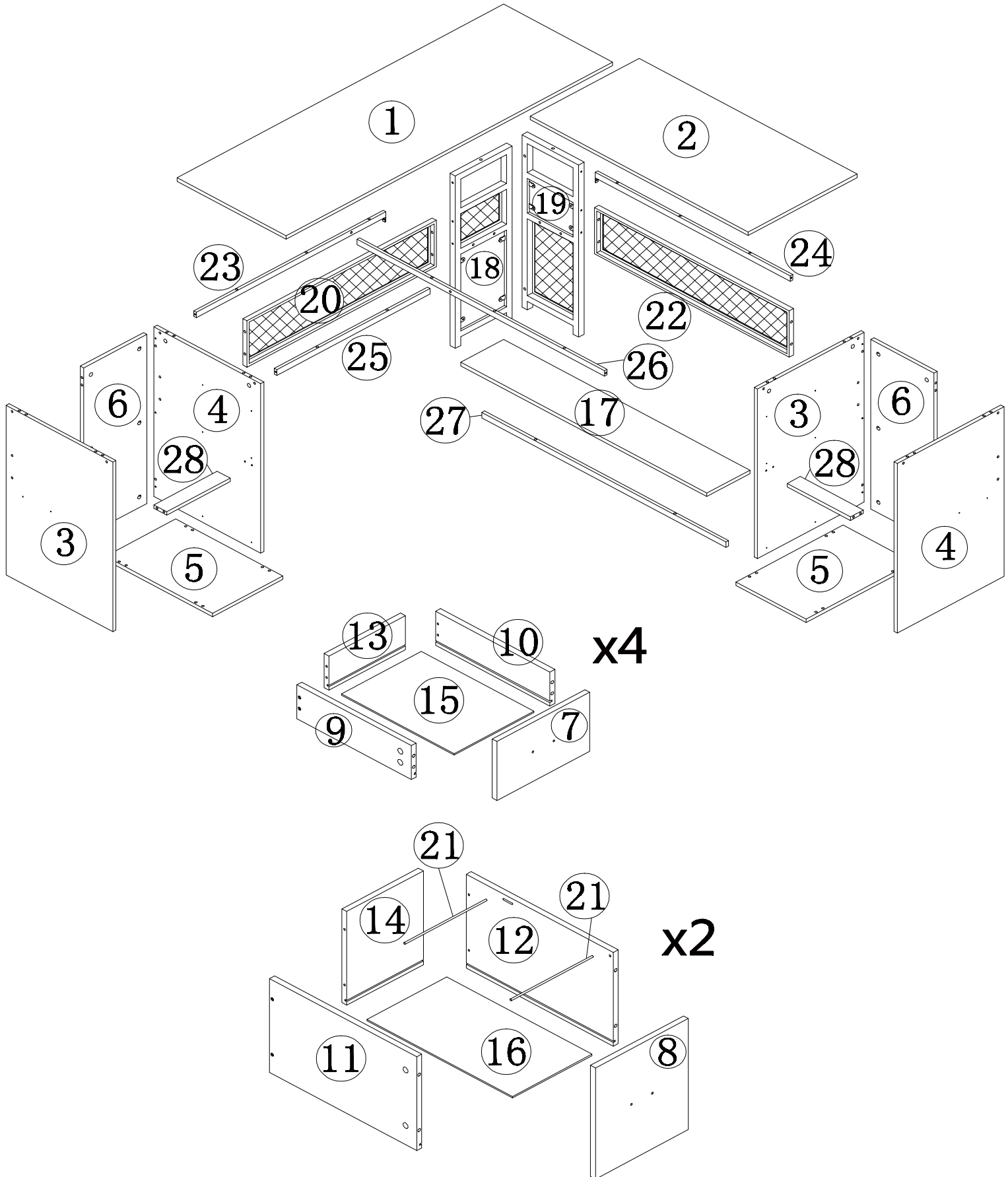
Gentle Reminder

⚠ Please don't install clamp-mounted monitors directly to the tabletop and use two padding boards to prevent surface damage.



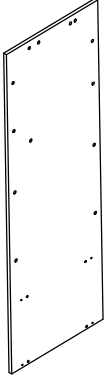
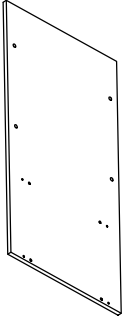
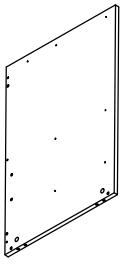
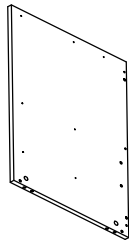
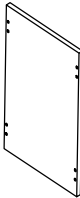
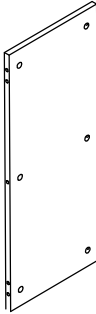
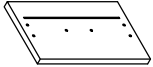
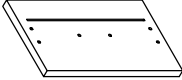
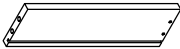




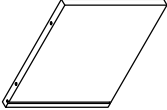



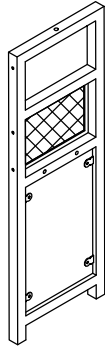
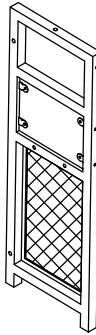
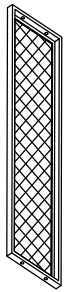

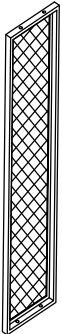





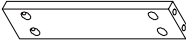
Part Identification

 While not all parts are labeled, some of the parts will have a label to help distinguish similar parts from each other. Use this part identification to help identify similar parts.







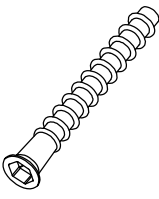
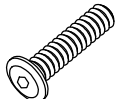
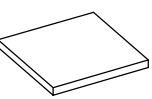
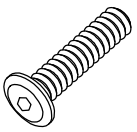
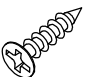
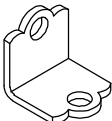

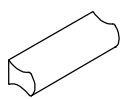
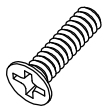
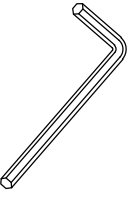
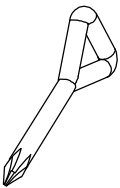
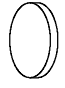
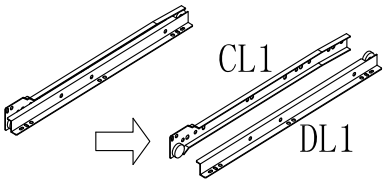
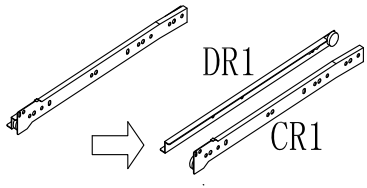
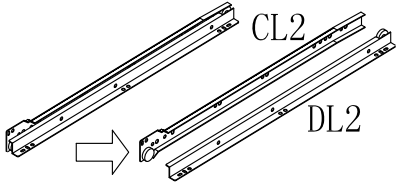
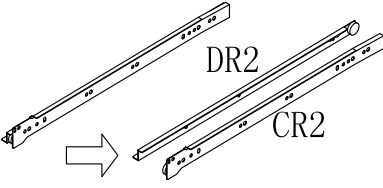
Part Identification

While not all parts are labeled, some of the parts will have a label to help distinguish similar parts from each other. Use this part identification to help identify similar parts.

 <p>① Long Desktop 1 PC</p>	 <p>② Short Desktop 1 PC</p>	 <p>③ Left Side Panel 2 PCS</p>	 <p>④ Right Side Panel 2 PCS</p>	 <p>⑤ Bottom Panel 2 PCS</p>	 <p>⑥ Back Panel 2 PCS</p>	 <p>⑦ Small Drawer 4 PCS</p>
 <p>⑧ Big Drawer Front 2 PCS</p>	 <p>⑨ Left Small Drawer Side 4 PCS</p>	 <p>⑩ Right Small Drawer Side 4 PCS</p>	 <p>⑪ Left Big Drawer Side 2 PCS</p>	 <p>⑫ Right Big Drawer Side 2 PCS</p>	 <p>⑬ Small Drawer Rear 4 PCS</p>	 <p>⑭ Big Drawer Rear 2 PCS</p>
 <p>⑮ Small Drawer Panel 4 PCS</p>	 <p>⑯ Big Drawer Panel 2 PCS</p>	 <p>⑰ Long Shelf 1 PC</p>	 <p>⑱ Left Metal Leg 1 PC</p>	 <p>⑲ Right Metal Leg 1 PC</p>	 <p>⑳ Small Metal Frame 1 PC</p>	 <p>㉑ Metal Bar 4 PCS</p>
 <p>㉒ Big Metal Frame 1 PC</p>	 <p>㉓ Short Metal Tube 1 PC</p>	 <p>㉔ Medium Metal Tube 1 PC</p>	 <p>㉕ Shorter Metal Tube 1 PC</p>	 <p>㉖ Longer Metal Tube 1 PC</p>	 <p>㉗ Long Metal Tube 1 PC</p>	 <p>㉘ Reinforcement Panel 2 PCS</p>

Part Identification

 While not all parts are labeled, some of the parts will have a label to help distinguish similar parts from each other. Use this part identification to help identify similar parts.

<p>A</p>  <p>Cam Bolt Φ6*44 52 PCS</p>	<p>B</p>  <p>Cam Lock Φ15*9.5 52 PCS</p>	<p>C</p>  <p>Wood Dowel Φ8*30 24 PCS</p>	<p>D</p>  <p>Long Bolt Φ7*50 10 PCS</p>	<p>E</p>  <p>Short Bolt M6*20 10 PCS</p>
<p>F</p>  <p>EVA Pad 8 PCS</p>	<p>G</p>  <p>Medium Bolt M6*35 23 PCS</p>	<p>H</p>  <p>Slide Screw Φ3*12 60 PCS</p>	<p>I</p>  <p>Metal Bracket 2 PCS</p>	<p>J</p>  <p>Drawer Screw Φ3.5*35 24 PCS</p>
<p>K</p>  <p>Handle 6 PCS</p>	<p>M</p>  <p>Handle Bolt M4*18 12 PCS</p>	<p>N</p>  <p>Allen Key 4mm 1 PC</p>	<p>O</p>  <p>Screwdriver 70*30*5 mm 1 PC</p>	<p>P</p>  <p>Sticker 8 PCS</p>
<p>L1</p>  <p>Small Left Slide 4 PCS</p>	<p>R1</p>  <p>Small Right Slide 4 PCS</p>	<p>L2</p>  <p>Big Left Slide 2 PCS</p>	<p>R2</p>  <p>Big Right Slide 2 PCS</p>	

Hardware Usage Guide

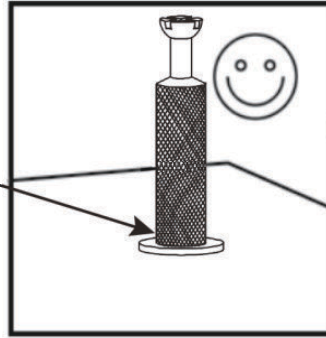
HOW TO USE A CAM BOLT & CAM LOCK.

1.

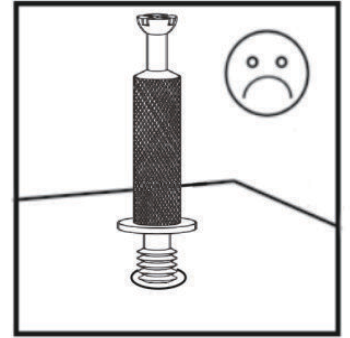


Cam Bolt

Clockwise rotate the CAM BOLT until the shoulder is against the surface of the board.

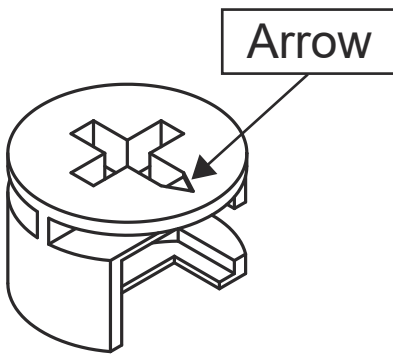


RIGHT



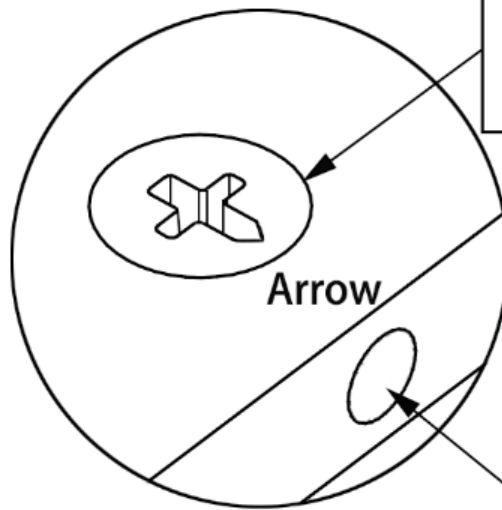
WRONG

2.



Cam Lock

Arrow

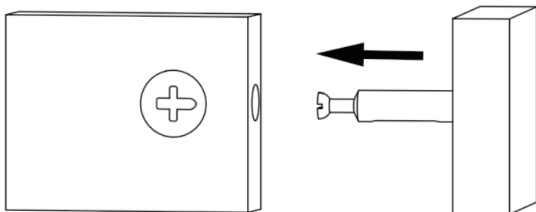


Arrow

Push a CAM LOCK into the board. The arrow in the CAM LOCK must point toward the hole in the edge of the board.

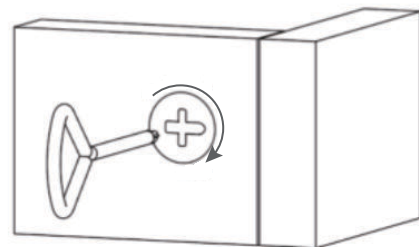
Hole

3. Insert the CAM BOLT into the CAM LOCK. Clockwise rotate to tighten the CAM LOCK.



3.1

3.2

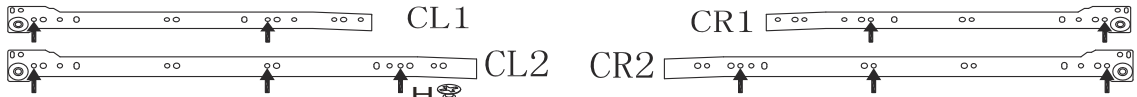


3.2

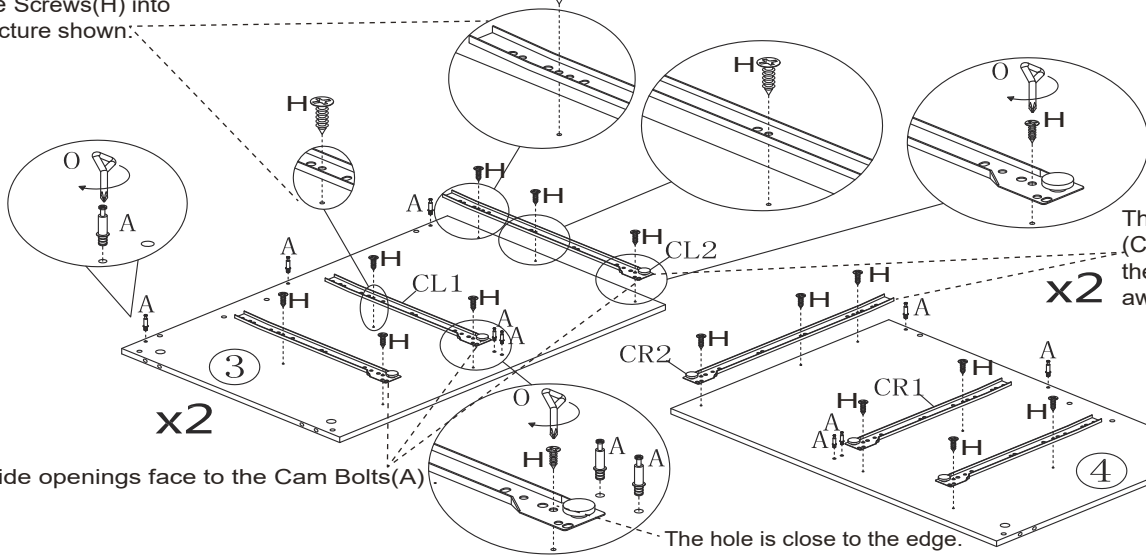
Step 01

NOTE: All bolts must be fully tightened at this step.

- 1.1 Insert and screw five Cam Bolts (A) into the holes on the Left Side Panel (3) and five Cam Bolts (A) into the Right Side Panel (4) with Screwdriver (O) as picture shown.
 - 1.2 Separate the Small Left Slide (L1) into Small Cabinet Left Slide (CL1) and Small Drawer Left Slide (DL1), and Small Right Slide (R1) into Small Cabinet Right Slide (CR1) and Small Drawer Right Slide (DR1).
 - 1.3 Separate the Big Left Slide (L2) into Big Cabinet Left Slide (CL2) and Big Drawer Left Slide (DL2), and Big Right Slide (R2) into Big Cabinet Right Slide (CR2) and Big Drawer Right Slide (DR2).
 - 1.4 Connect and fasten two Small Cabinet Left Slides (CL1) and one Big Cabinet Left Slide (CL2) on the edge of Left Side Panel (3) with seven Slide Screws (H) by Screwdriver (O). Repeat it for the other Left Side Panel (3).
 - 1.5 Connect and fasten two Small Cabinet Right Slides (CR1) and one Big Cabinet Right Slide (CR2) on the edge of Right Side Panel (4) with seven Slide Screws (H) by Screwdriver (O). Repeat it for the other Right Side Panel (4).
- Please note that the Small and Big Cabinet Left Slides (CL1 CL2) can only be installed in the Left Side Panel (3) and the Small and Big Cabinet Right Slides (CR1 CR2) can only be installed in the Right Side Panel (4).



Insert the Slide Screws(H) into the holes as picture shown:



The two Big Cabinet Slides (CL2 CR2) are screwed on the edge of the panel, and away from the four holes.

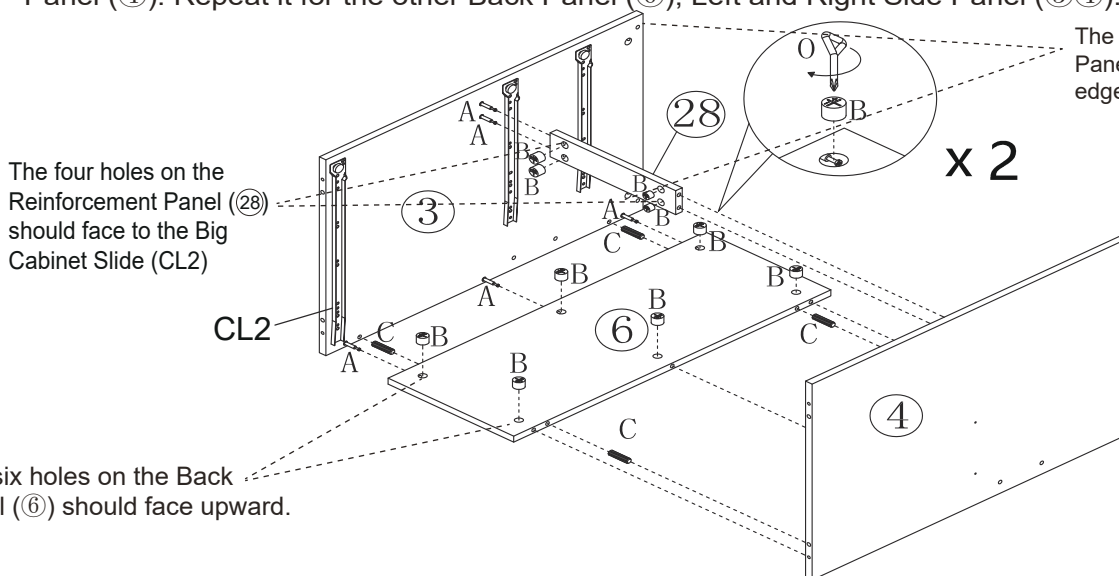
The wide openings face to the Cam Bolts(A)

The hole is close to the edge.

Step 02

NOTE: All bolts must be fully tightened at this step.

- 2.1 Insert two Wood Dowels (C) into the holes on one side of the Back Panel (6). Then connect the Left Side Panel (3) to Back Panel (6). Please note that the six holes on the Back Panel (6) should face upward.
- 2.2 Connect one side of the Reinforcement Panel (28) to the Left Side Panel (3). Please note that the four holes on the Reinforcement Panel (28) should face the Big Cabinet Left Slide (CL2).
- 2.3 When Cam Bolts (A) are attached, insert five Cam Locks (B), make sure the arrow on Cam Lock (B) points to Cam Bolt (A), and then tightly fasten by turning Screwdriver (O) clockwise.
- 2.4 Repeat it for attaching the other side of the Back Panel (6) and Reinforcement Panel (28) to the Right Side Panel (4). Make sure the two holes on the edge of Left Side Panel (3) face to the two holes on the edge of Right Side Panel (4). Repeat it for the other Back Panel (6), Left and Right Side Panel (3,4).



The two holes on the edge of Left Side Panel (3) face to the two holes on the edge of Right Side Panel (4).

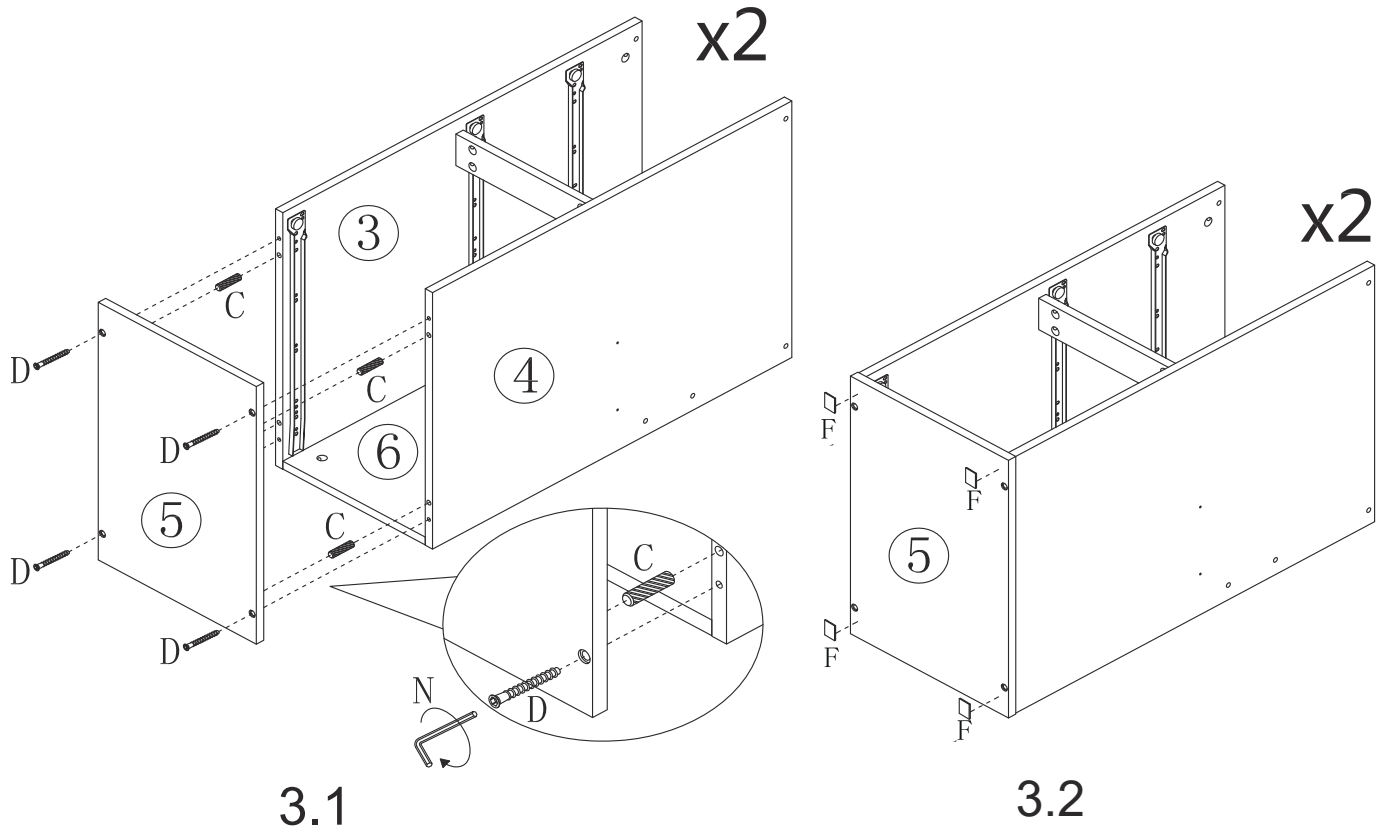
The four holes on the Reinforcement Panel (28) should face to the Big Cabinet Slide (CL2)

The six holes on the Back Panel (6) should face upward.

Step 03

NOTE: All bolts must be fully tightened at this step.

- 3.1 Insert four Wood Dowels (C) into the holes on the bottom of Left and Right Side Panel (3, 4). Connect and fasten Bottom Panel (5) to Left and Right Side Panel (3, 4) with four Long Bolts (D) by Allen Key (N). Fully tighten all bolts. Repeat it for the other Bottom Panel (5).
- 3.2 Stick four EVA Pads (F) to the Bottom Panel (5) for rough floor. Repeat it for the other Bottom Panel (5).



3.1

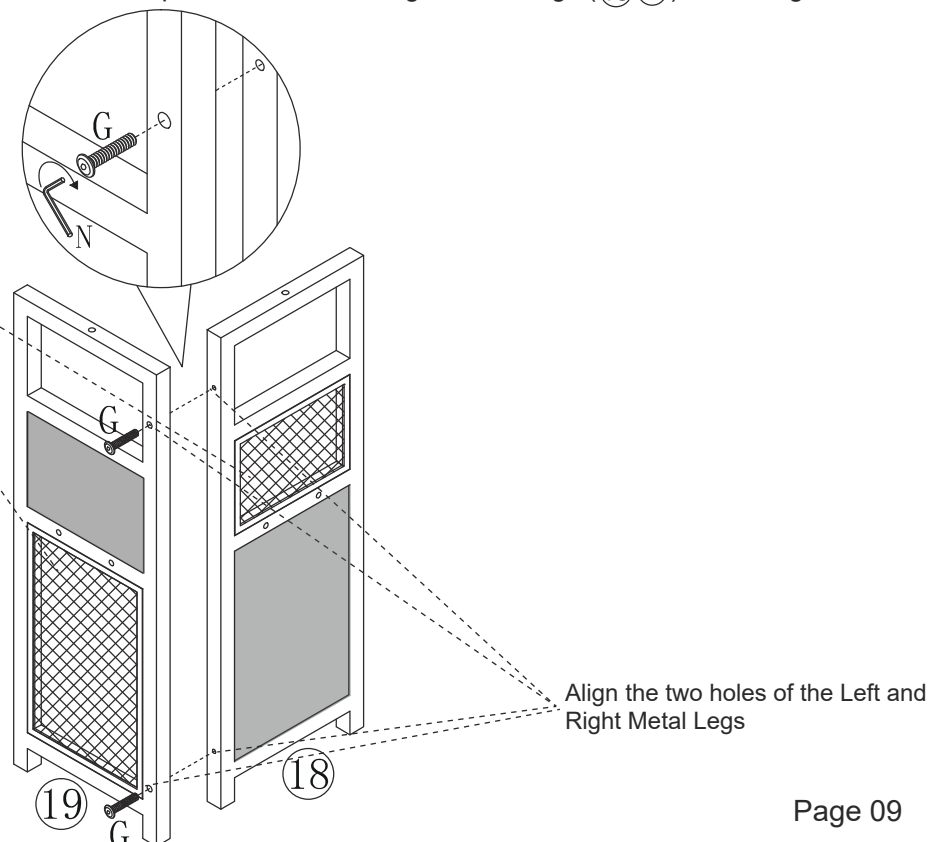
3.2

Step 04

NOTE: All bolts must be fully tightened at this step.

- 4 Connect and fasten Right Metal Leg (19) to Left Metal Leg (18) with two Medium Bolts (G) by Allen Key (N). Fully tighten all bolts. Please make sure the flat sides of the panels in Left and Right Metal Legs (18, 19) are facing outward.

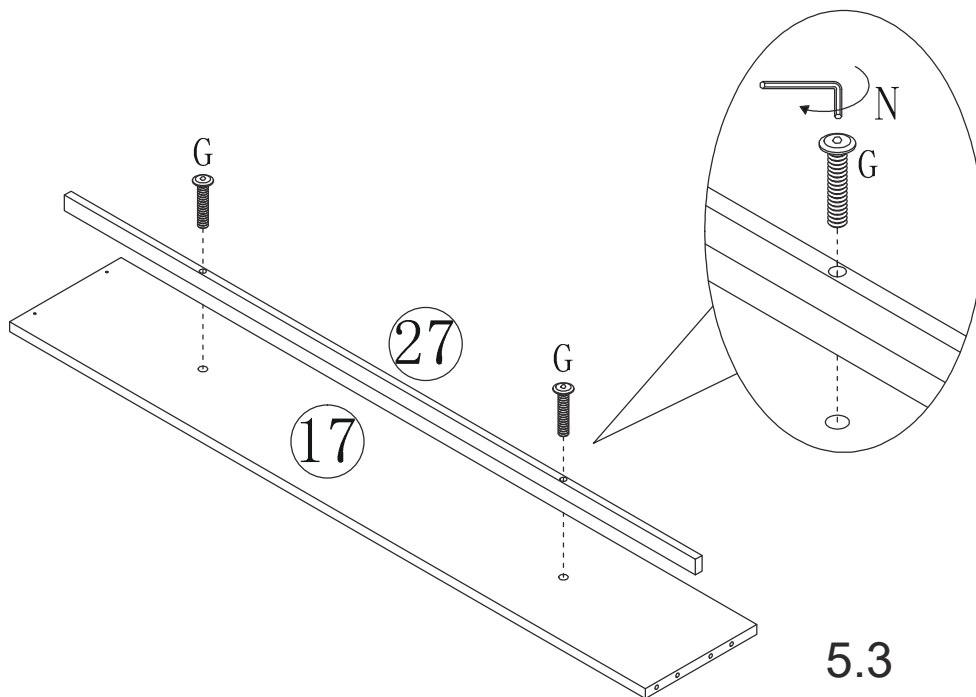
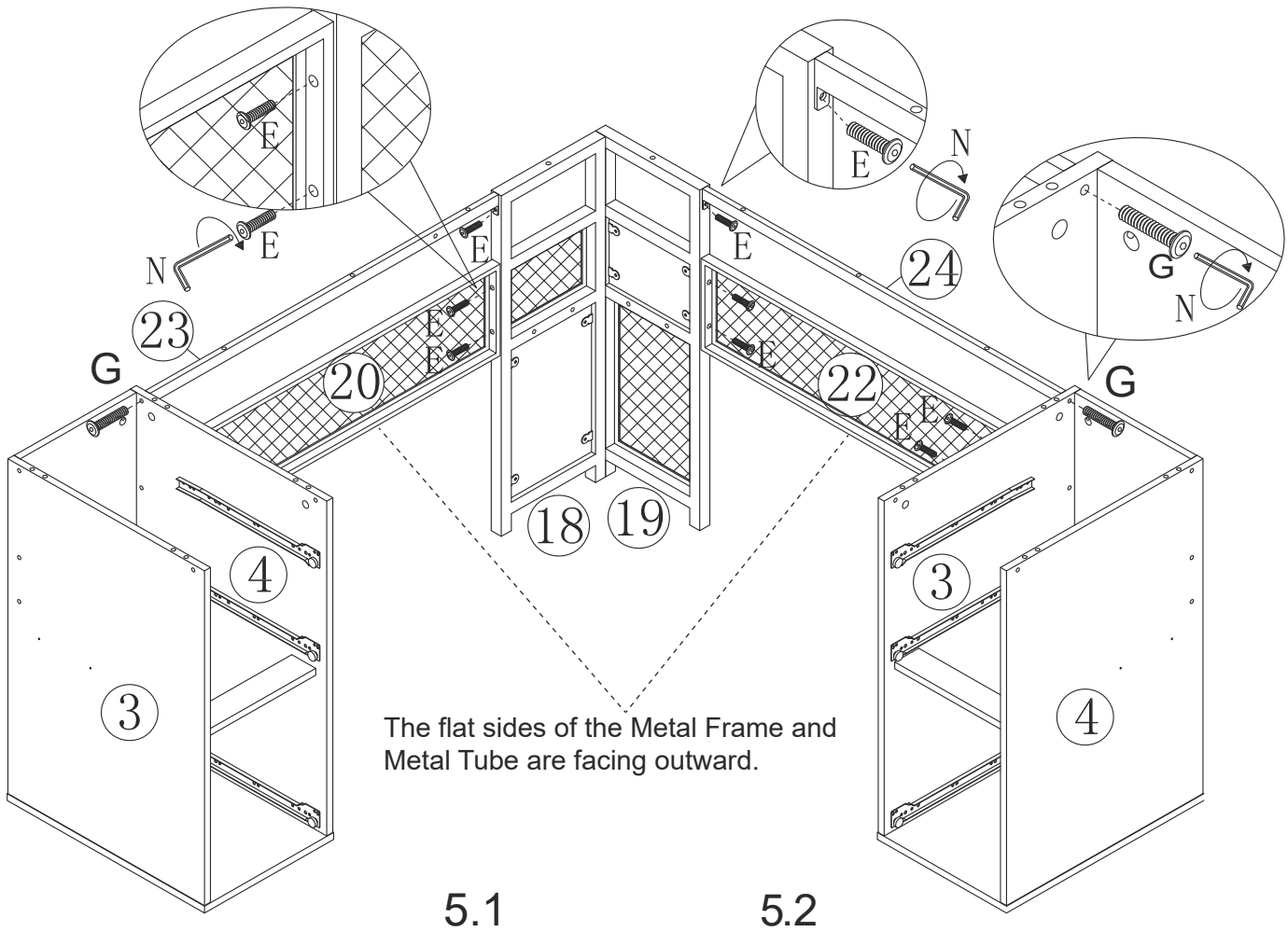
The flat sides of the panels in Left and Right Metal Legs (18, 19) are facing outward.



Step 05

NOTE: DO NOT fully tighten all bolts at this step.

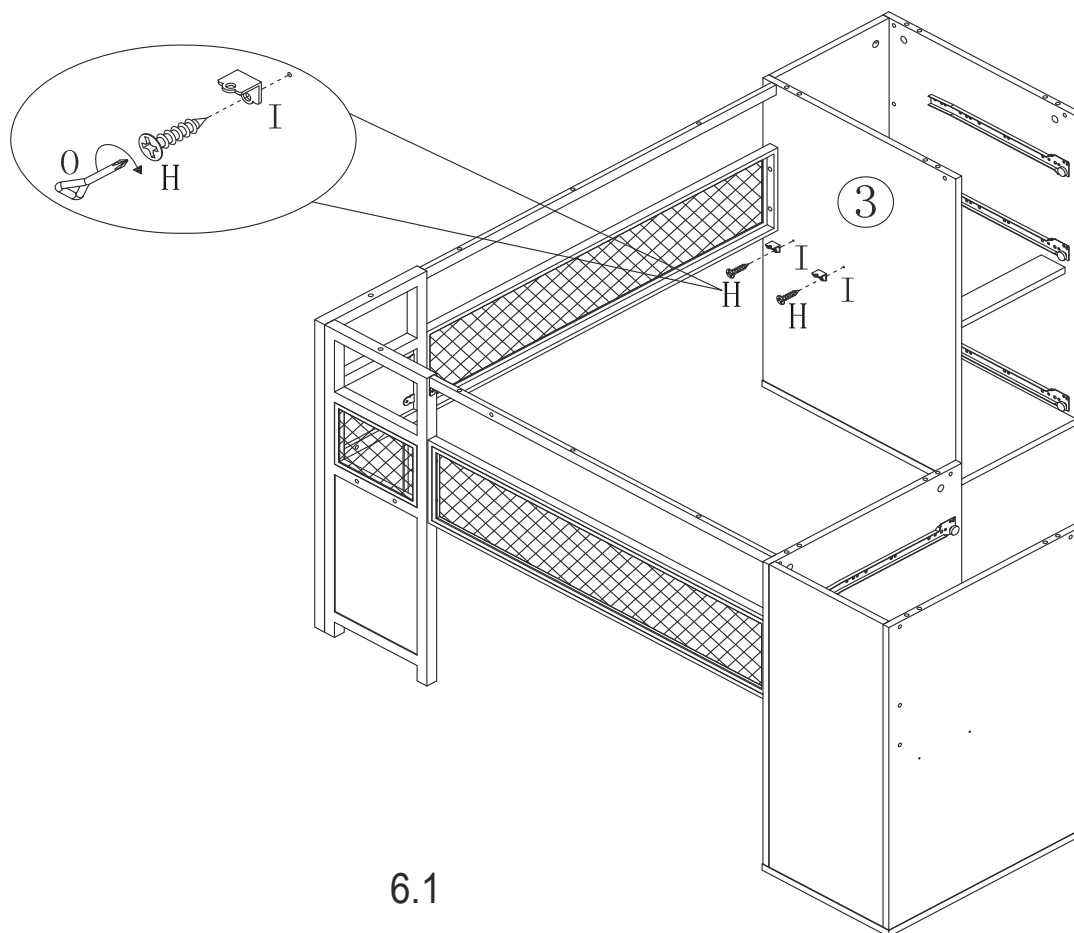
- 5.1 Fasten the Short Metal Tube (23) between the Left Metal Leg (18) and Right Side Panel (4) with one Short Bolt (E) and one Medium Bolt (G) by Allen Key(N). Fasten the Medium Metal Tube (24) between the Right Metal Leg (19) and Left Side Panel (3) with one Short Bolt (E) and one Medium Bolt (G) by Allen Key(N). DO NOT fully tighten all bolts.
- 5.2 Fasten the Small Metal Frame (20) between the Left Metal Leg (18) and Right Side Panel (4) with four Short Bolts (E) by Allen Key(N). Fasten the Big Metal Frame (22) between the Right Metal Leg (19) and Left Side Panel (3) with four Short Bolts (E) by Allen Key(N). DO NOT fully tighten all bolts. Make sure the flat sides of the Metal Frame and Metal Tube are facing outward.
- 5.3 Fasten the Long Metal Tube (27) to Long Shelf (17) with two Medium Bolts (G) by Allen Key (N).



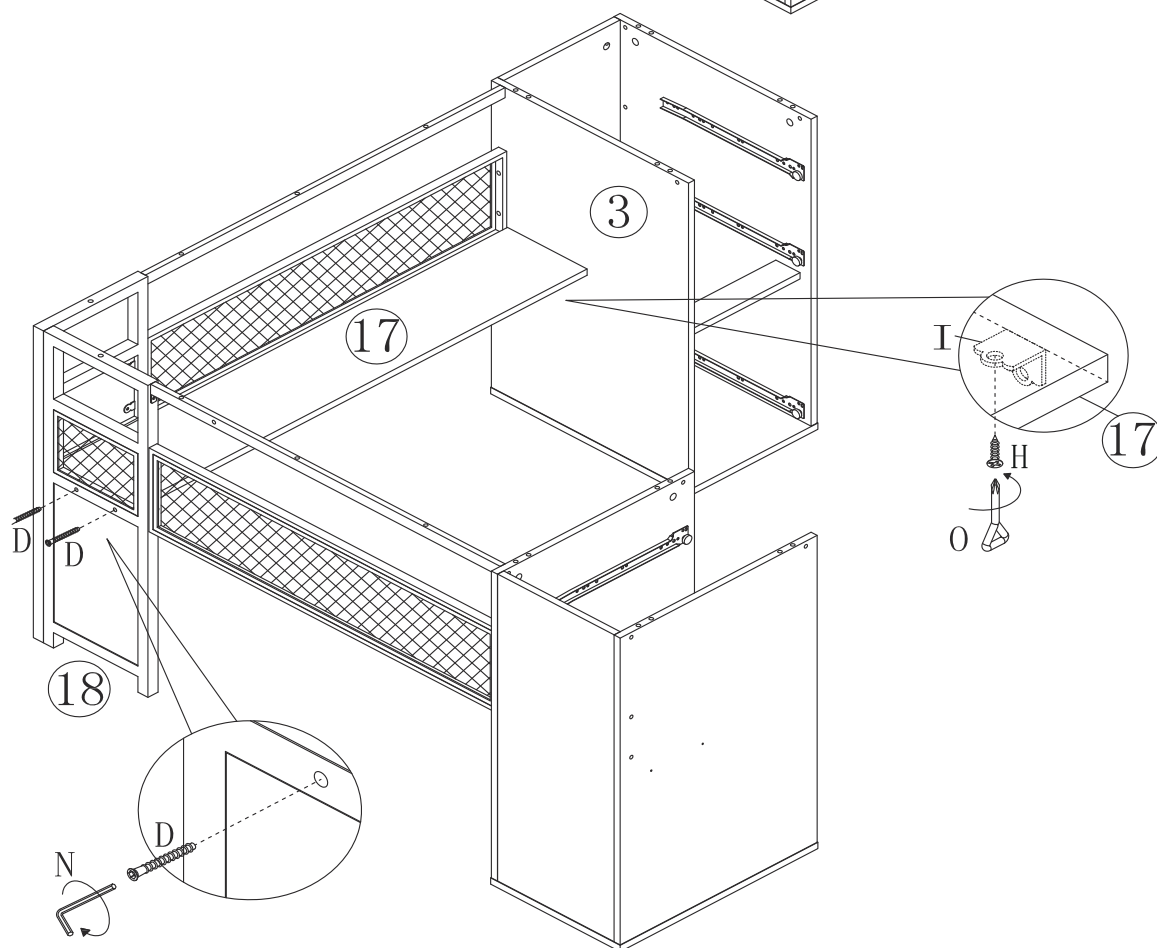
Step 06

Product support email: jackye@hshfurniture.NET

- 6.1 Fasten two Metal Brackets (I) on the Left Side Panel (3) with two Slide Screws (H) by Screwdriver(O).
- 6.2 Fasten the Long Shelf (17) between the Left Metal Leg (18) and Left Side Panel (3) with two Long Bolts (D) by Allen Key(N) and two Slide Screws (H) through two Metal Brackets (I) by Screwdriver(O).



6.1

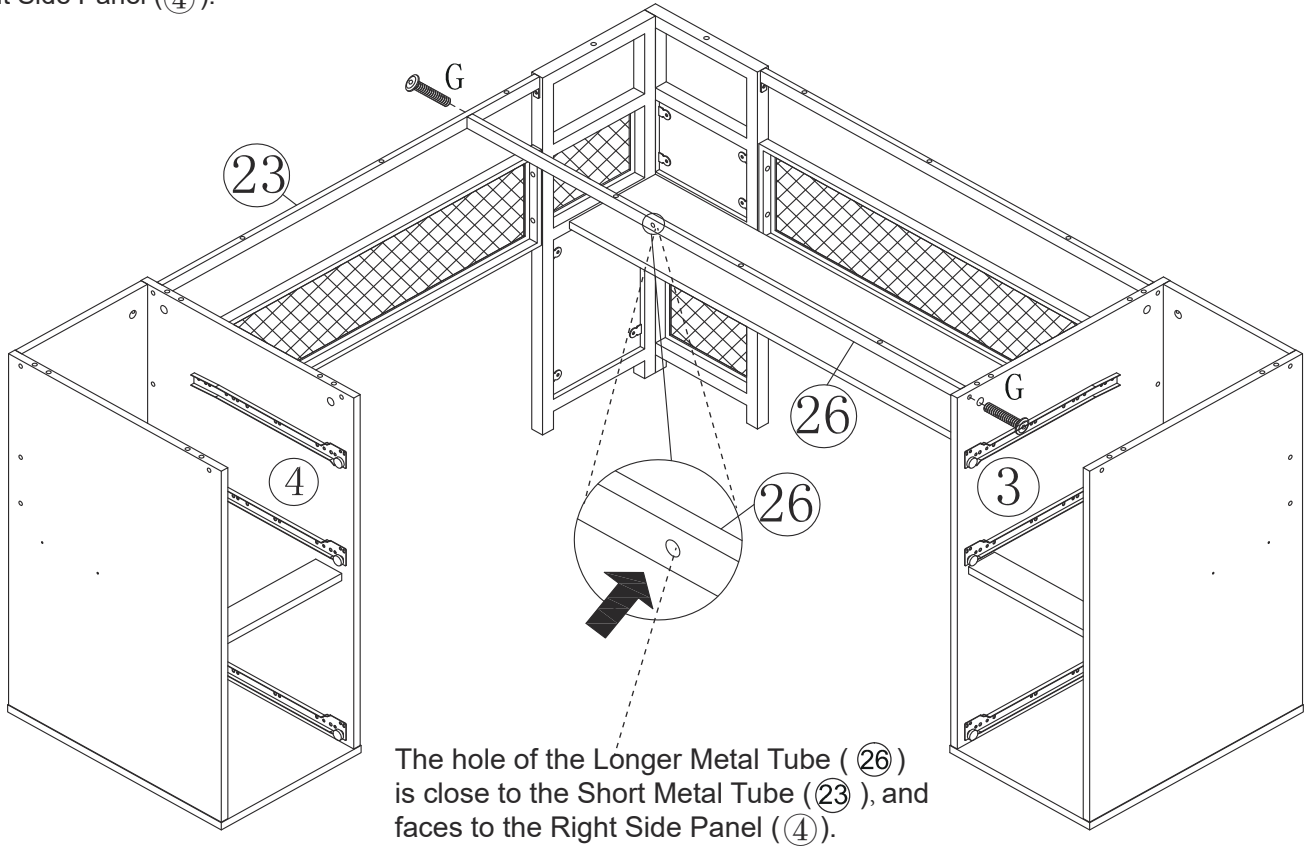


6.2

Step 07

NOTE: All bolts must be fully tightened at this step.

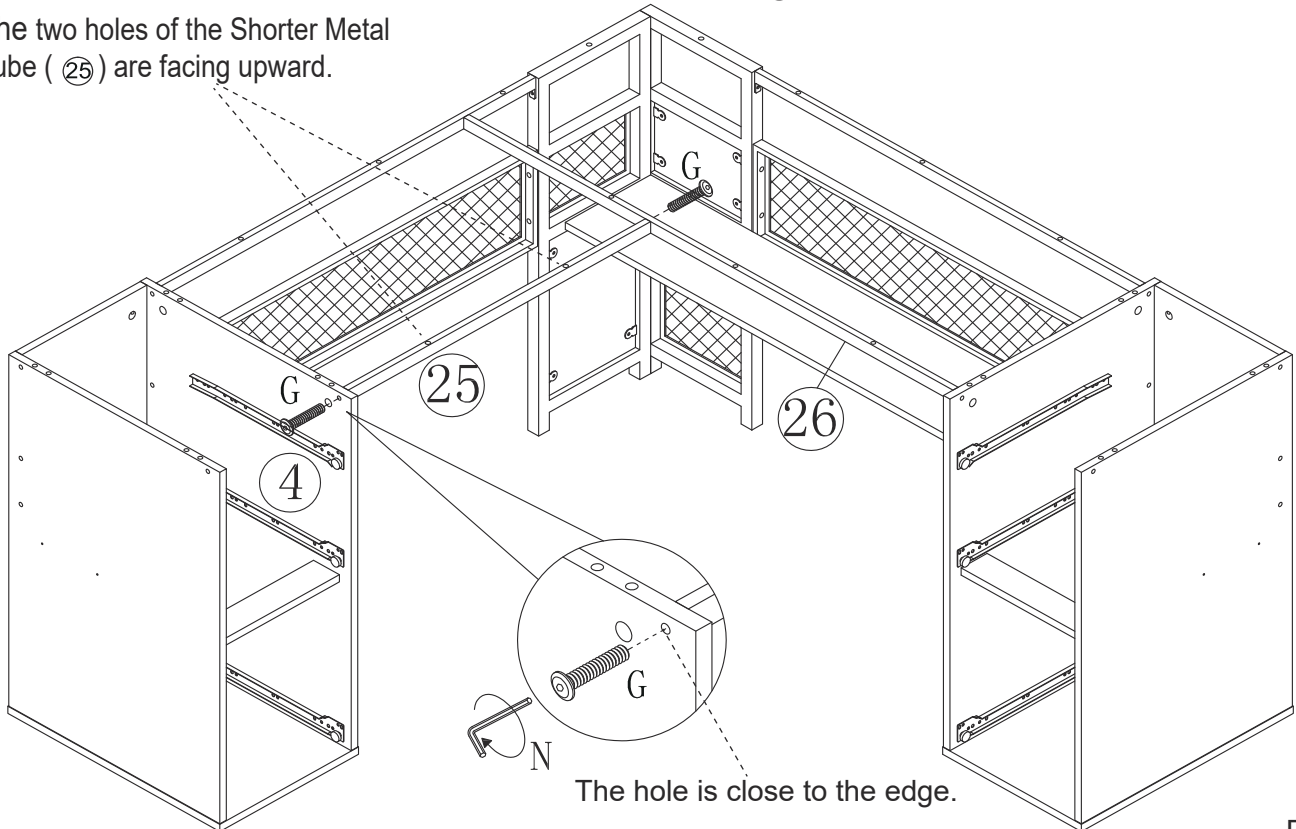
- 7 Connect and fasten the Longer Metal Tube (26) to Short Metal Tube (23) and Left Side Panel (3) with two Medium Bolts (G) by Allen Key(N). Make sure the hole of the Longer Metal Tube (26) is close to the Short Metal Tube (23), and faces to the Right Side Panel (4).



Step 08

- 8 Connect and fasten Shorter Metal Tube (25) to Right Side Panel (4) and Longer Metal Tube (26) with two Medium Bolts (G) by Allen Key (N). Make sure the two holes of the Shorter Metal Tube (25) are facing upward.

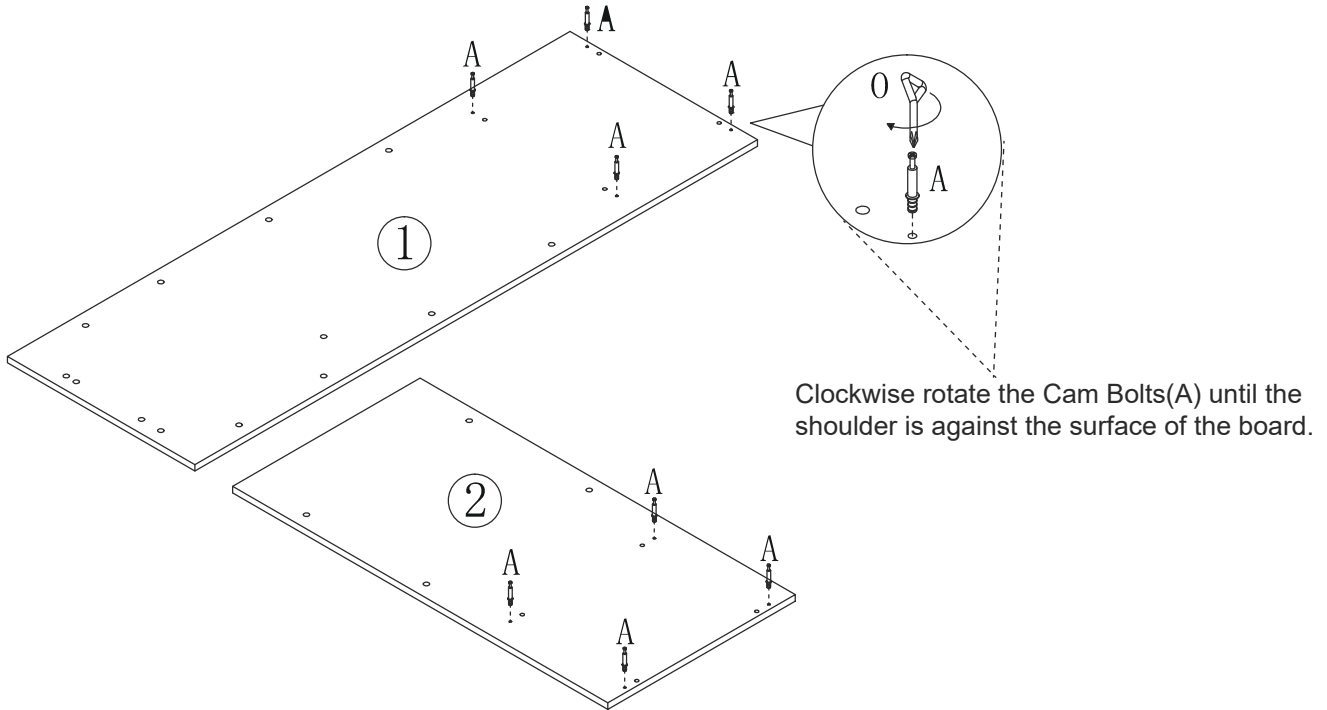
The two holes of the Shorter Metal Tube (25) are facing upward.



Step 09

NOTE: All bolts must be fully tightened at this step.

- 9 Insert and screw four Cam Bolts(A) into the holes on the Long Desktop (①), and four Cam Bolts(A) into the holes on the Short Desktop (②) with Screwdriver(O). Clockwise rotate the Cam Bolts(A) until the shoulder is against the surface of the board.

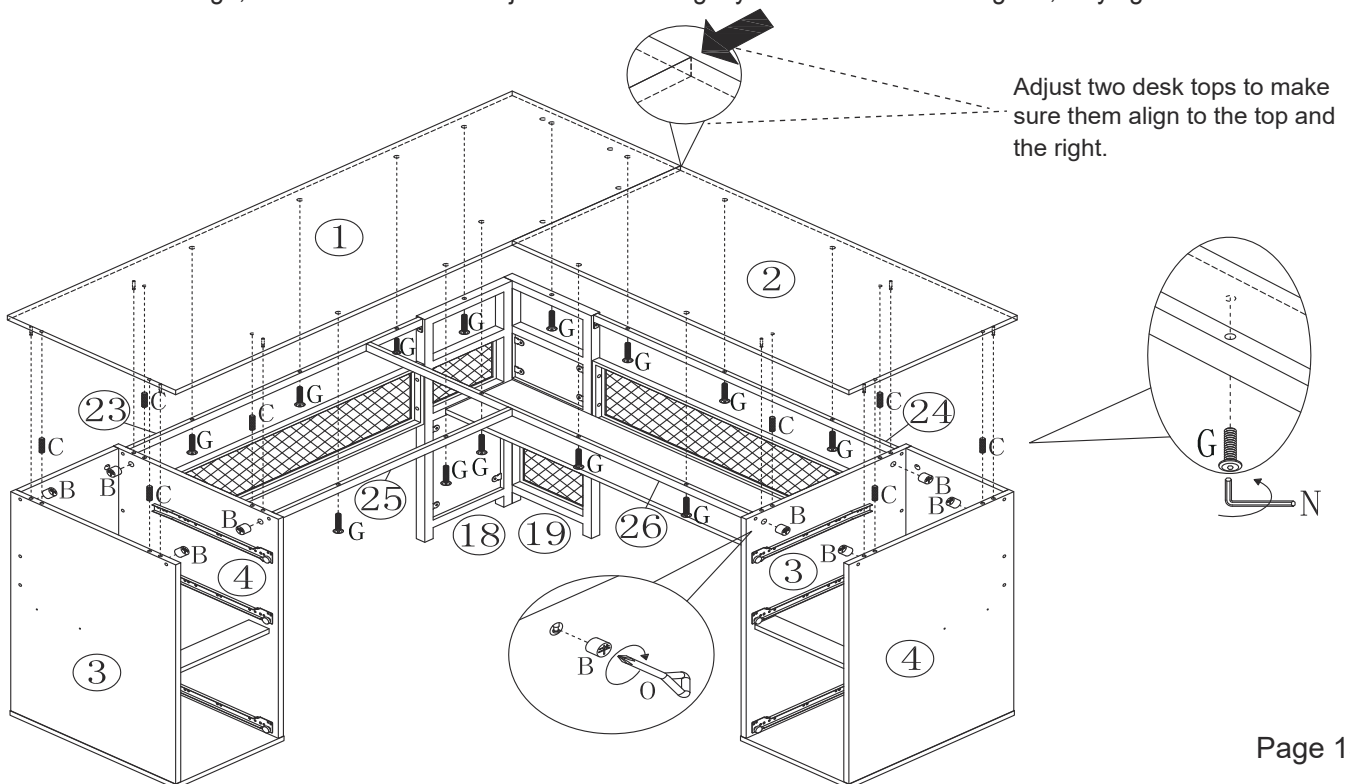


Step 10

NOTE: If holes don't align, loosen all bolts and adjust the holes slightly. After all holes are aligned, fully tighten all bolts.

- 10.1 Insert four Wood Dowels (C) into the holes on the Left and Right Side Panel (③ ④) on both sides separately. Then Put the Long Desktop(①) and Short Desktop(②) on the assembled frame, adjust two desk tops to make sure they align to the top and the right.
- 10.2 Fasten Long Desktop(①) to Short Metal Tube (⑳), Shorter Metal Tube (㉕), Left and Right Metal Leg (⑱ ⑲) with nine Medium Bolts(G) by Allen Key(N). Do not fully tighten all bolts until all parts are in place.
- 10.3 Fasten Short Desktop(②) to the Medium Metal Tube(㉔) and Longer Metal Tube(㉖) with four Medium Bolts(G) by Allen Key(N). Do not fully tighten all bolts until all parts are in place.
- 10.4 Insert four Cam Locks (B), make sure the arrow on Cam Locks (B) points to Cam Bolts (A), and then tightly fasten by turning Screwdriver (O) clockwise.

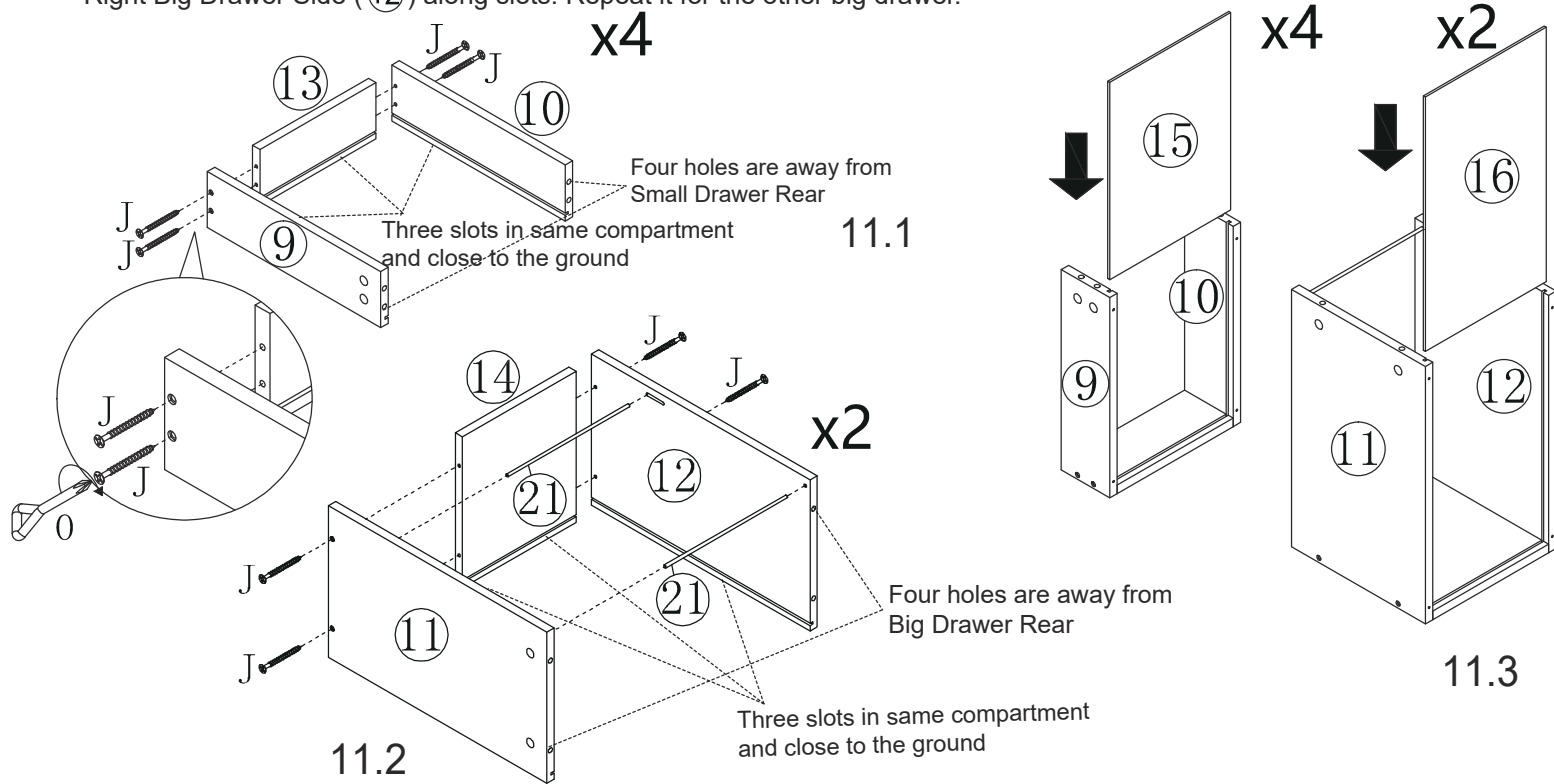
NOTE: If holes don't align, loosen all bolts and adjust the holes slightly. After all holes are aligned, fully tighten all the bolts.



Step 11

NOTE: All bolts must be fully tightened at this step.

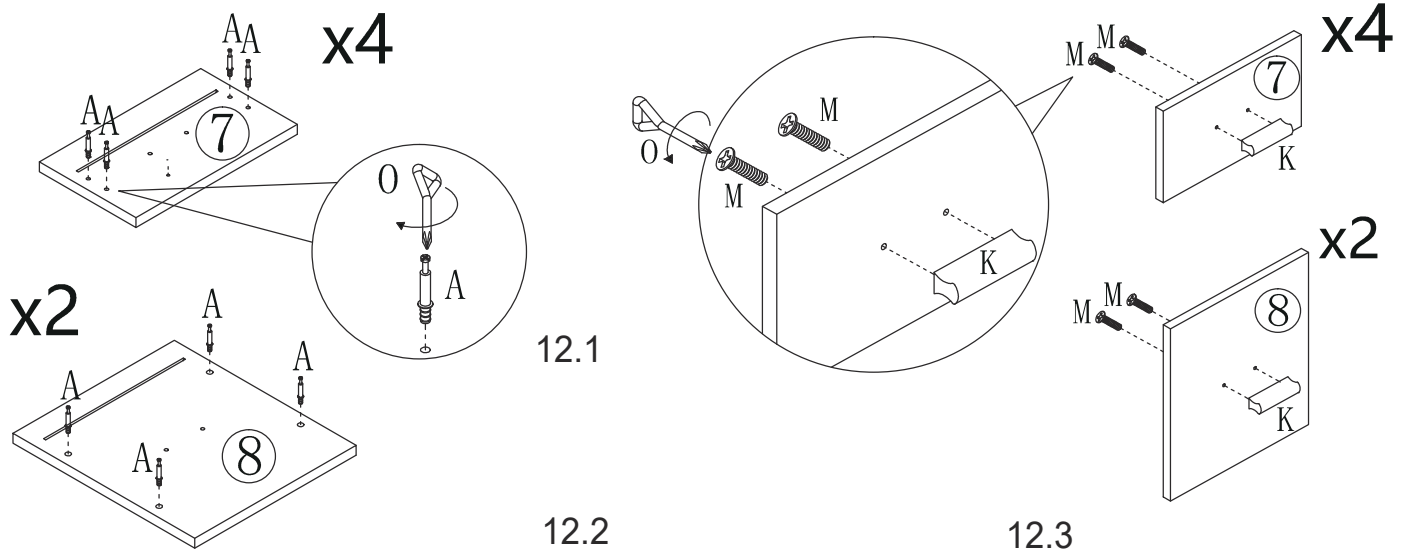
- 11.1 Connect and fasten Left Small Drawer Side (9) and Right Small Drawer Side (10) to Small Drawer Rear (13) with four Drawer Screws (J) by Screwdriver (O). Repeat it for another three small drawers.
- 11.2 Connect and fasten Left Big Drawer Side (11) and Right Big Drawer Side (12) to Big Drawer Rear (14) with four Drawer Screws (J) by Screwdriver (O). Insert the two Metal Bars (21) into the grooves of the Left and Right Big Drawer Sides (11, 12). Repeat it for the other big drawer.
Note: Make sure three slots on these three panels are in the same compartment and close to the ground, four holes of Drawer Sides are away from Drawer Rear.
- 11.3 Insert Small Drawer Panel (15) between the Left Small Drawer Side (9) and Right Small Drawer Side (10) along slots. Repeat it for another three small drawers. Then insert Big Drawer Panel (16) between the Left Big Drawer Side (11) and Right Big Drawer Side (12) along slots. Repeat it for the other big drawer.



Step 12

NOTE: All bolts must be fully tightened at this step.

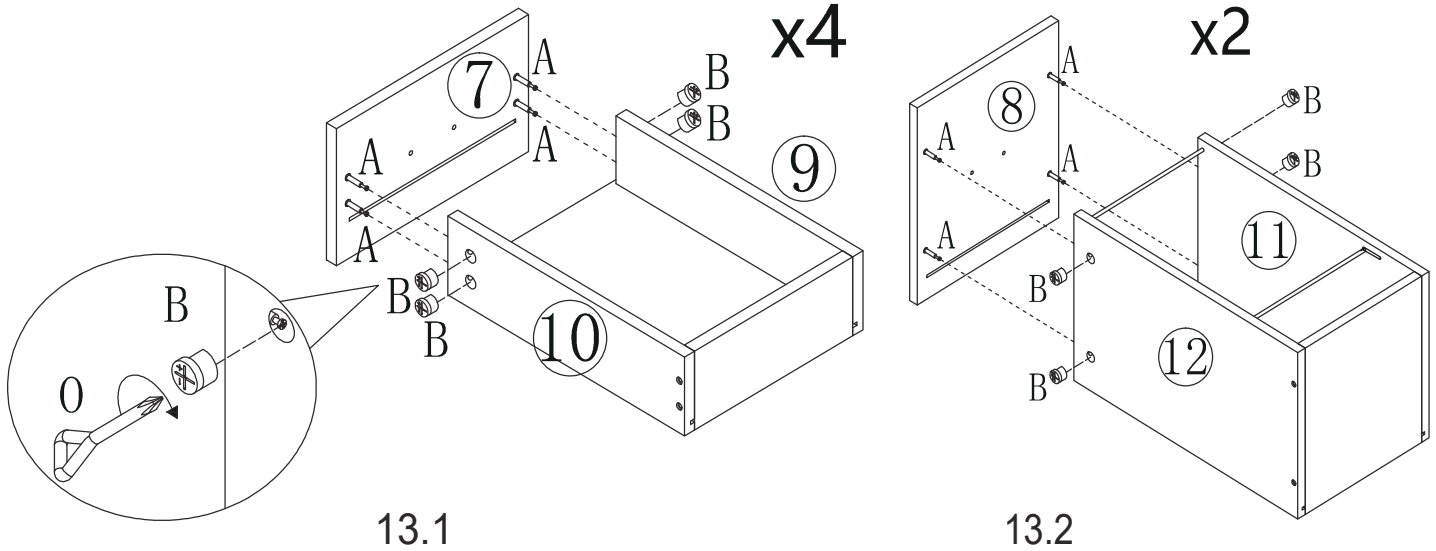
- 12.1 Insert and screw four Cam Bolts (A) into the holes on Small Drawer Front (7) by Screwdriver (O). Repeat it for another three Small Drawer Fronts (7).
- 12.2 Insert and screw four Cam Bolts (A) into the holes on Big Drawer Front (8) by Screwdriver (O). Repeat it for the other Big Drawer Front (8).
- 12.3 Attach and fasten one Handle (K) separately to Small Drawer Front (7) and Big Drawer Front (8) with two Handle Bolts (M) by Screwdriver (O). Repeat it for another three small drawers and one big drawer.



Step 13

NOTE: All bolts must be fully tightened at this step.

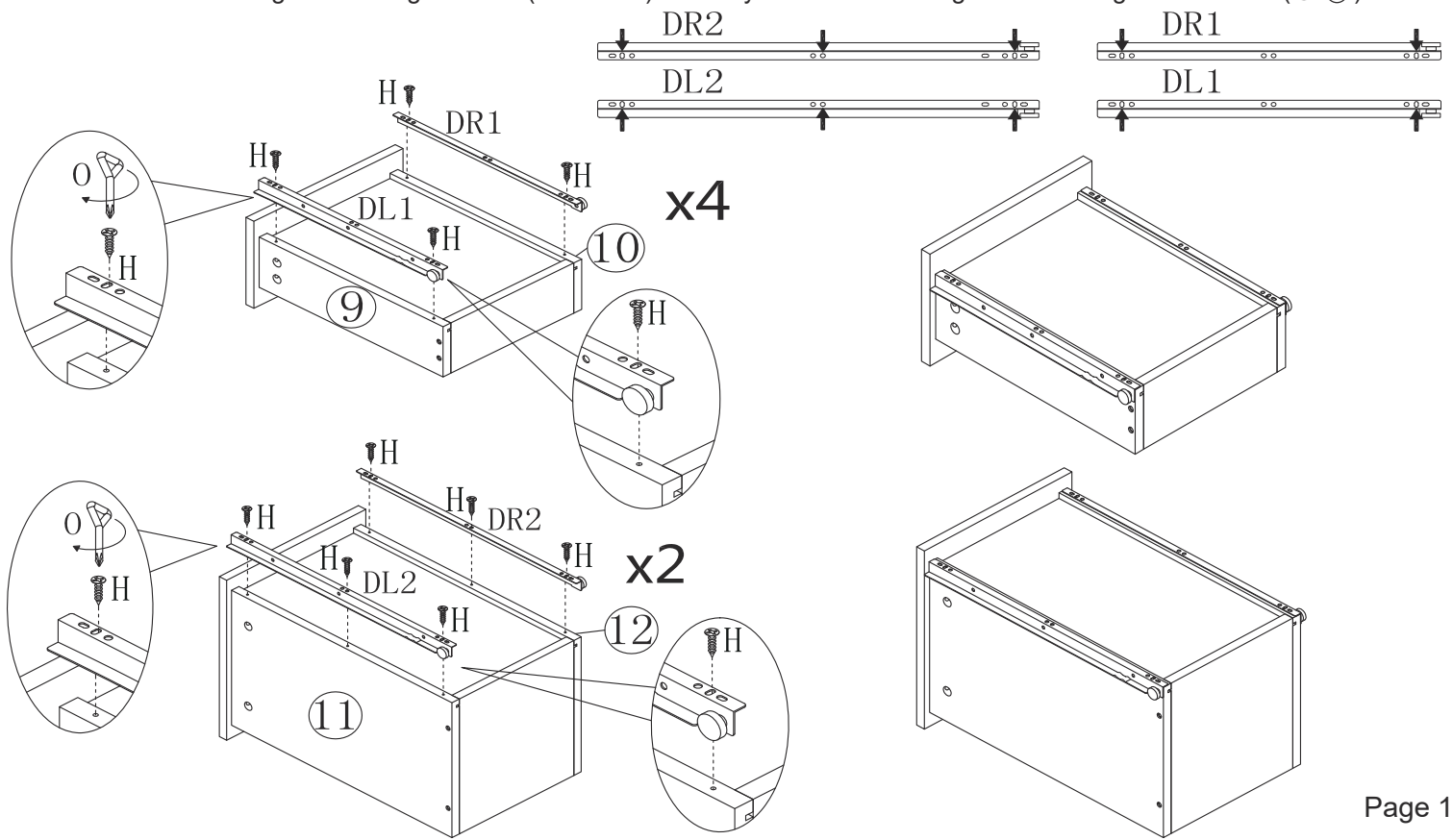
- 13.1 Connect Left Small Drawer Side (9) and Right Small Drawer Side (10) to Small Drawer Front (7) through cam bolts(A). When Cam Bolts(A) are attached, insert four Cam Locks(B), make sure the arrow on Cam Lock points to Cam Bolt(A), and then tightly fasten by turning Screwdriver(Q) clockwise. Repeat it for another three small drawers.
- 13.2 Connect Left Big Drawer Side (11) and Right Big Drawer Side (12) to Big Drawer Front (8) through cam bolts(A). When Cam Bolts(A) are attached, insert four Cam Locks(B), make sure the arrow on Cam Lock points to Cam Bolt(A), and then tightly fasten by turning Screwdriver(O) clockwise. Repeat it for the other big drawer.



Step 14

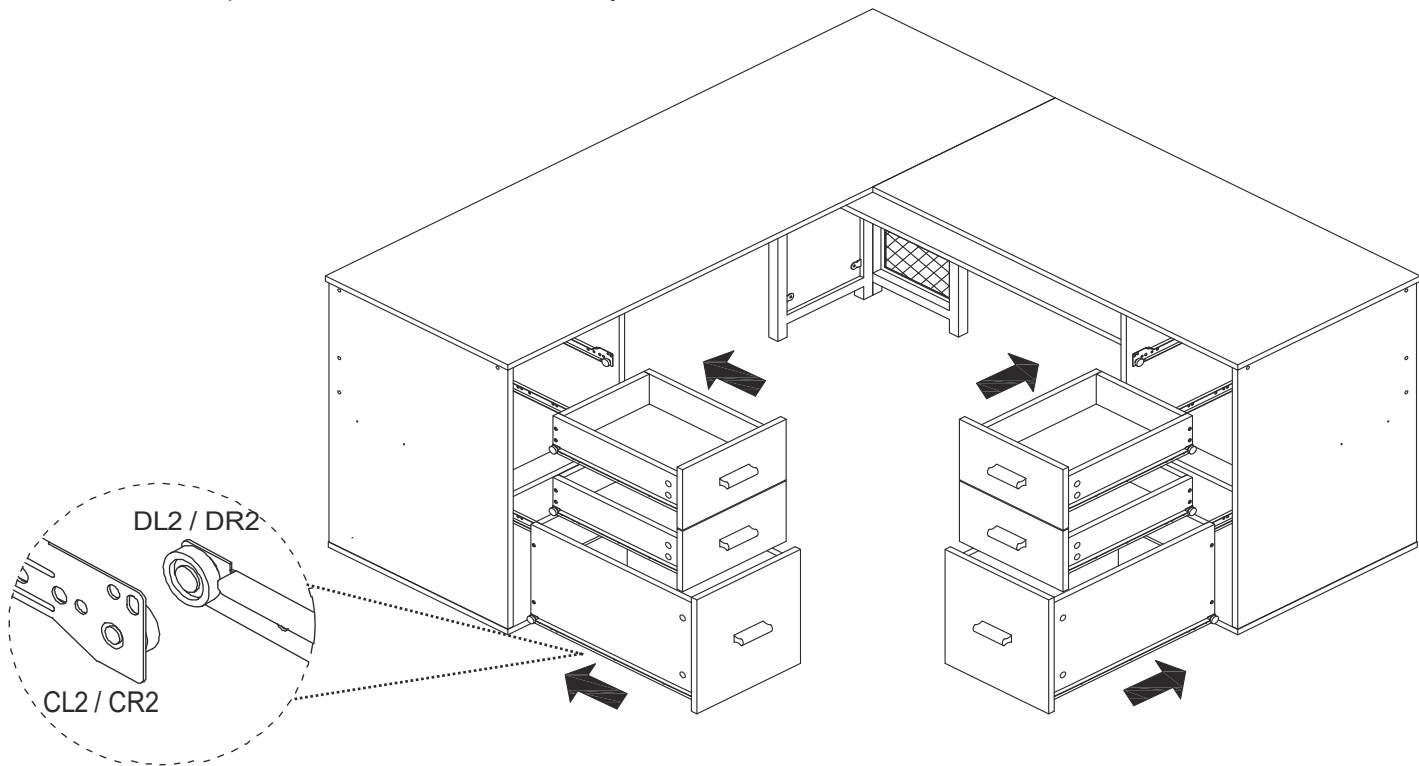
NOTE: All bolts must be fully tightened at this step.

- 14.1 Connect and fasten Small Drawer Left Slides (DL1) to Left Small Drawer Side (9) with two Slide Screws (H) by Screwdriver (O). Connect and fasten Small Drawer Right Slide (DR1) to Right Small Drawer Side (10) with two Slide Screws(H) by Screwdriver(O). Make sure insert the Slide Screws (H) into the holes as picture shown. Repeat it for another three small drawers.
- 14.2 Connect and fasten Big Drawer Left Slide (DL2) to Left Big Drawer Side (11) with three Slide Screws (H) by Screwdriver (O). Connect and fasten Big Drawer Right Slide (DR2) to Right Big Drawer Side (12) with three Slide Screws(H) by Screwdriver(O). Make sure insert the Slide Screws (H) into the holes as picture shown. Repeat it for the other big drawer.
- Please note that the Small & Big Drawer Left Slides(DL1/DL2) can only be installed in Left Small & Big Drawer Side (9/11) and the Small & Big Drawer Right Slides (DR1/DR2) can only be installed in Right Small & Big Drawer Side (10/12).



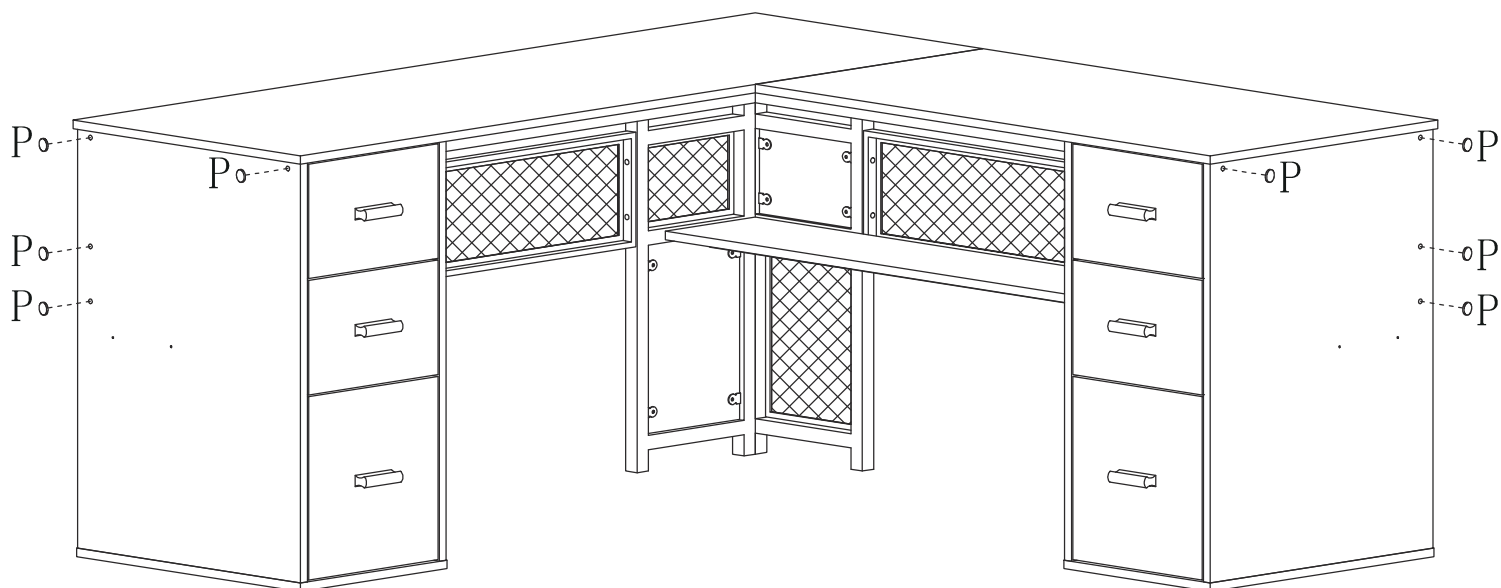
Step 15

- 15.1 Insert one big drawer at the bottom of the cabinet firstly. Line up the Slide(DL2 / DR2) on the drawer with the Slide(CL2 / CR2) on the cabinet and push the drawer into the cabinet until the drawer is fully inserted. Repeat it for the other big drawer.
- 15.2 Then insert the two small drawers at the middle and top of the cabinet. Line up the Slide(DL1 / DR1) on the small drawer with the Slide(CL1 / CR1) on the cabinet and push the drawer into the cabinet until the drawer is fully inserted. Repeat it for another two small drawers.
- Note: The drawer will push in hard until it is all the way in, then it will slide in and out easier.



Step 16

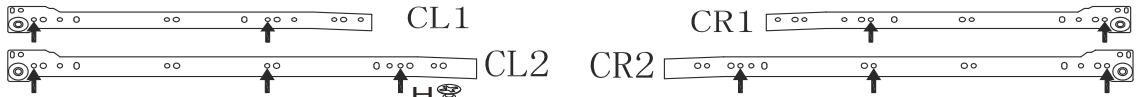
- 16 Stick eight Stickers(P) on the exposed holes of the Side Panels (③ ④). And then fully tighten all bolts. This completes assembly.



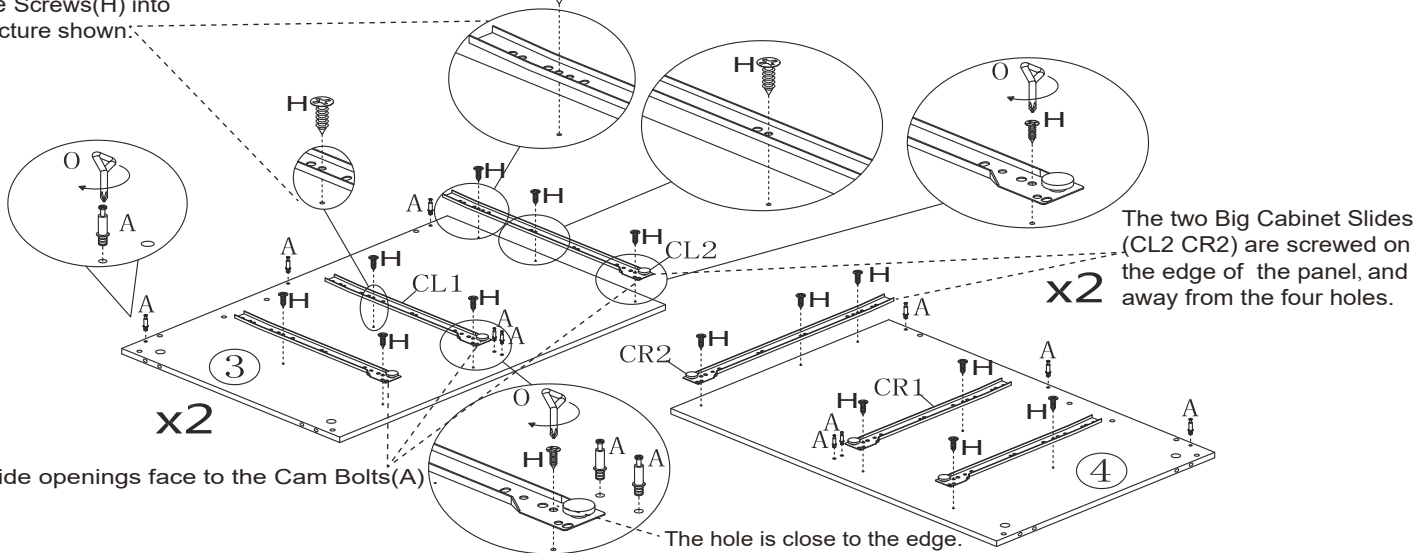
Step 01

NOTE: All bolts must be fully tightened at this step.

- 1.1 Insert and screw five Cam Bolts (A) into the holes on the Left Side Panel (③) and five Cam Bolts (A) into the Right Side Panel (④) with Screwdriver (O) as picture shown.
 - 1.2 Separate the Small Left Slide (L1) into Small Cabinet Left Slide (CL1) and Small Drawer Left Slide (DL1), and Small Right Slide (R1) into Small Cabinet Right Slide (CR1) and Small Drawer Right Slide (DR1).
 - 1.3 Separate the Big Left Slide (L2) into Big Cabinet Left Slide (CL2) and Big Drawer Left Slide (DL2), and Big Right Slide (R2) into Big Cabinet Right Slide (CR2) and Big Drawer Right Slide (DR2).
 - 1.4 Connect and fasten two Small Cabinet Left Slides (CL1) and one Big Cabinet Left Slide (CL2) on the edge of Left Side Panel (③) with seven Slide Screws (H) by Screwdriver (O). Repeat it for the other Left Side Panel (③).
 - 1.5 Connect and fasten two Small Cabinet Right Slides (CR1) and one Big Cabinet Right Slide (CR2) on the edge of Right Side Panel (④) with seven Slide Screws (H) by Screwdriver (O). Repeat it for the other Right Side Panel (④).
- Please note that the Small and Big Cabinet Left Slides (CL1 CL2) can only be installed in the Left Side Panel (③) and the Small and Big Cabinet Right Slides (CR1 CR2) can only be installed in the Right Side Panel (④).



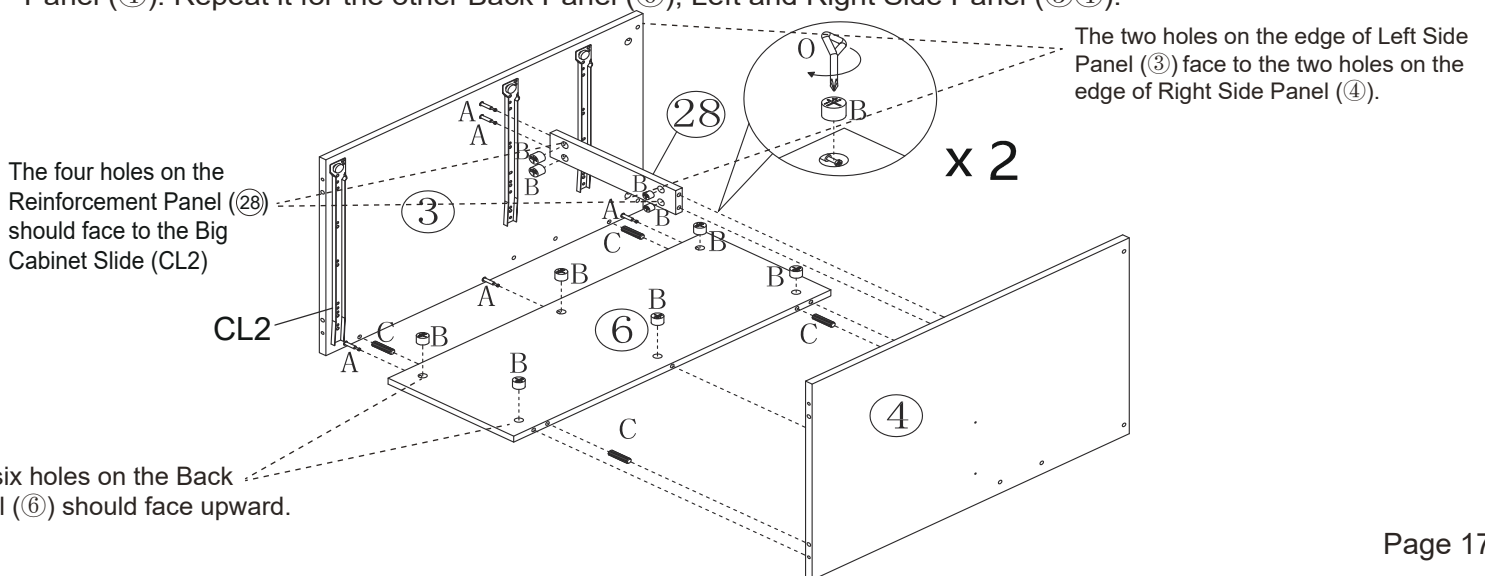
Insert the Slide Screws(H) into the holes as picture shown:



Step 02

NOTE: All bolts must be fully tightened at this step.

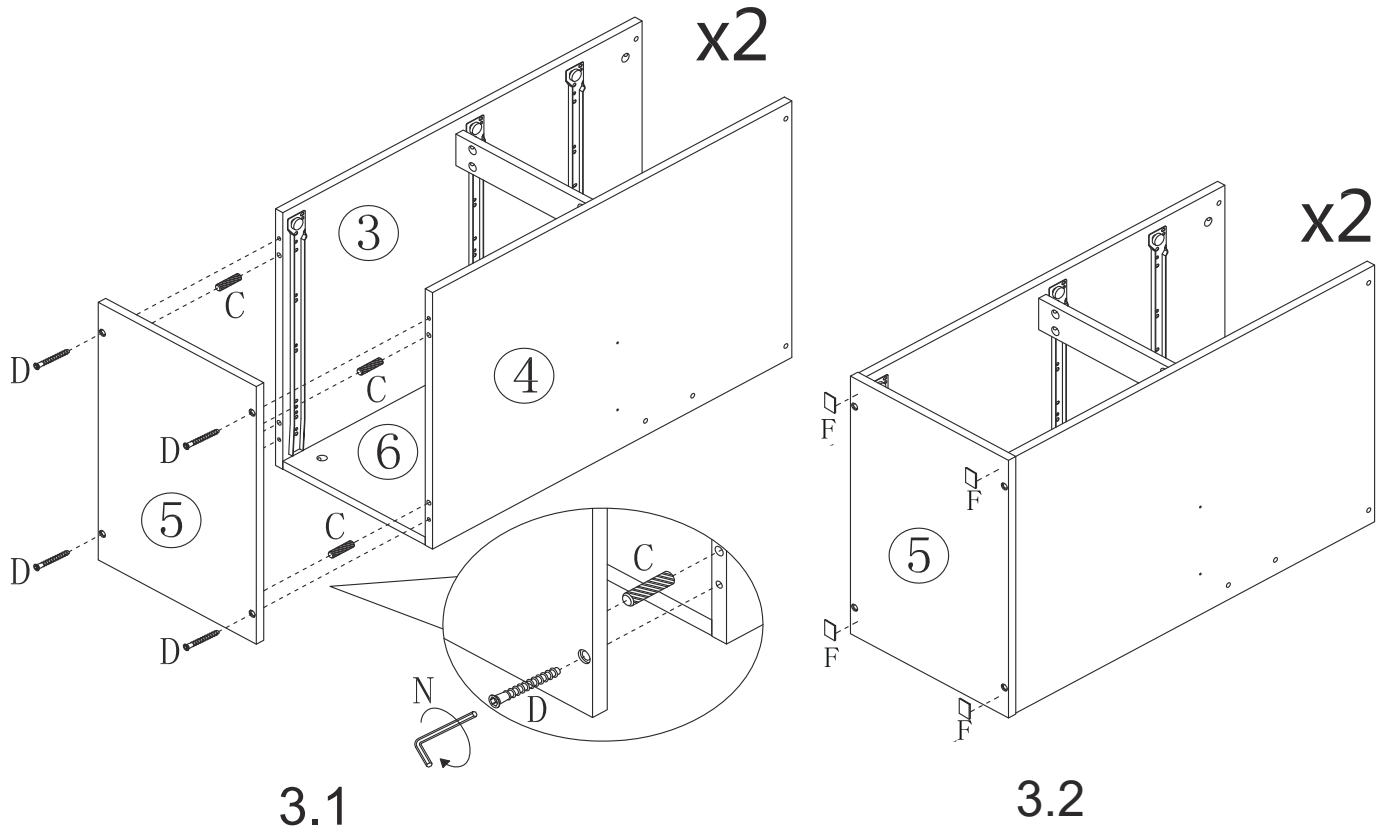
- 2.1 Insert two Wood Dowels (C) into the holes on one side of the Back Panel (⑥). Then connect the Left Side Panel (③) to Back Panel (⑥). Please note that the six holes on the Back Panel (⑥) should face upward.
- 2.2 Connect one side of the Reinforcement Panel (⑳) to the Left Side Panel (③). Please note that the four holes on the Reinforcement Panel (⑳) should face the Big Cabinet Left Slide (CL2).
- 2.3 When Cam Bolts (A) are attached, insert five Cam Locks (B), make sure the arrow on Cam Lock (B) points to Cam Bolt (A), and then tightly fasten by turning Screwdriver (O) clockwise.
- 2.4 Repeat it for attaching the other side of the Back Panel (⑥) and Reinforcement Panel (⑳) to the Right Side Panel (④). Make sure the two holes on the edge of Left Side Panel (③) face to the two holes on the edge of Right Side Panel (④). Repeat it for the other Back Panel (⑥), Left and Right Side Panel (③④).



Step 03

NOTE: All bolts must be fully tightened at this step.

- 3.1 Insert four Wood Dowels (C) into the holes on the bottom of Left and Right Side Panel (3, 4). Connect and fasten Bottom Panel (5) to Left and Right Side Panel (3, 4) with four Long Bolts (D) by Allen Key (N). Fully tighten all bolts. Repeat it for the other Bottom Panel (5).
- 3.2 Stick four EVA Pads (F) to the Bottom Panel (5) for rough floor. Repeat it for the other Bottom Panel (5).



3.1

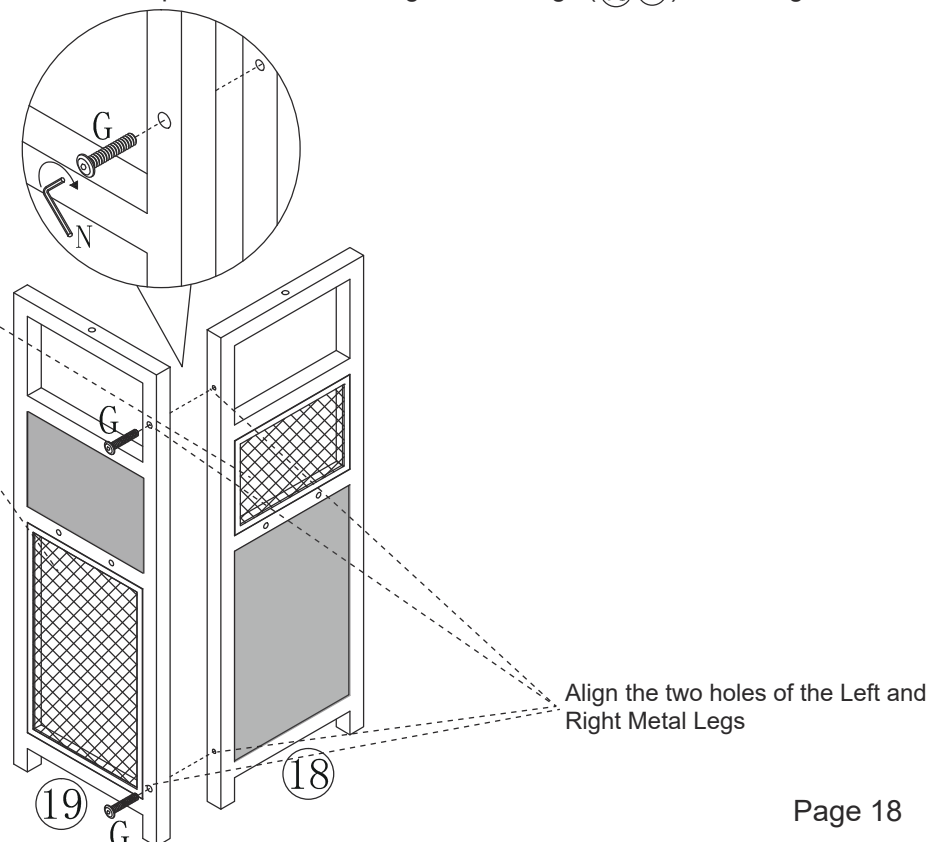
3.2

Step 04

NOTE: All bolts must be fully tightened at this step.

- 4 Connect and fasten Right Metal Leg (19) to Left Metal Leg (18) with two Medium Bolts (G) by Allen Key (N). Fully tighten all bolts. Please make sure the flat sides of the panels in Left and Right Metal Legs (18, 19) are facing outward.

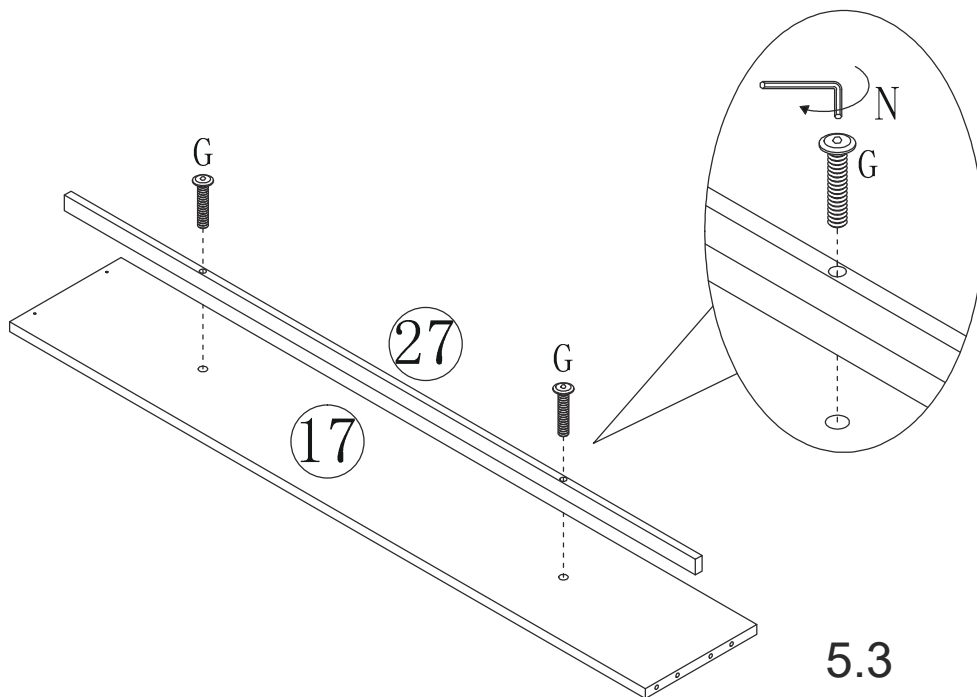
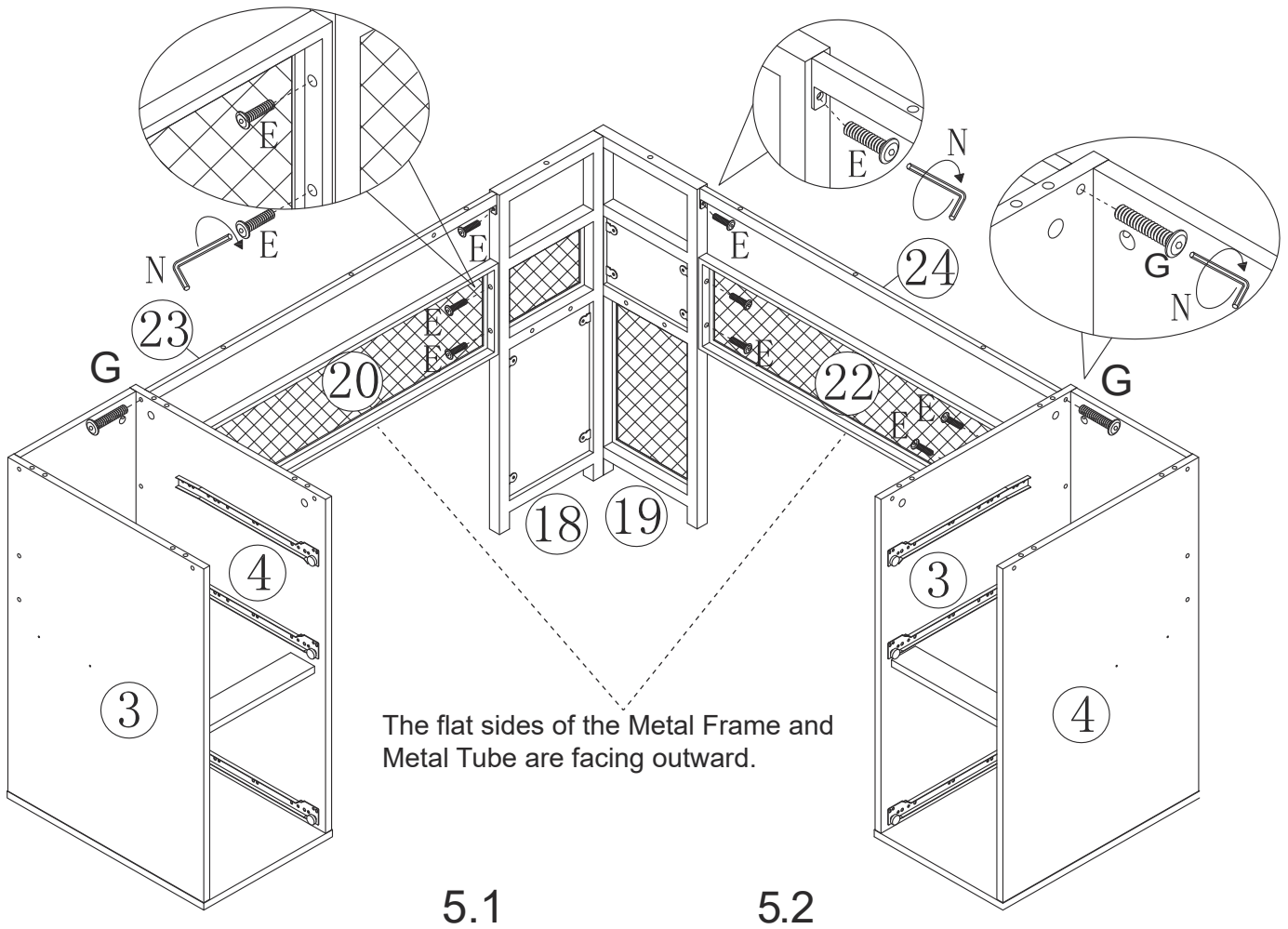
The flat sides of the panels in Left and Right Metal Legs (18, 19) are facing outward.



Step 05

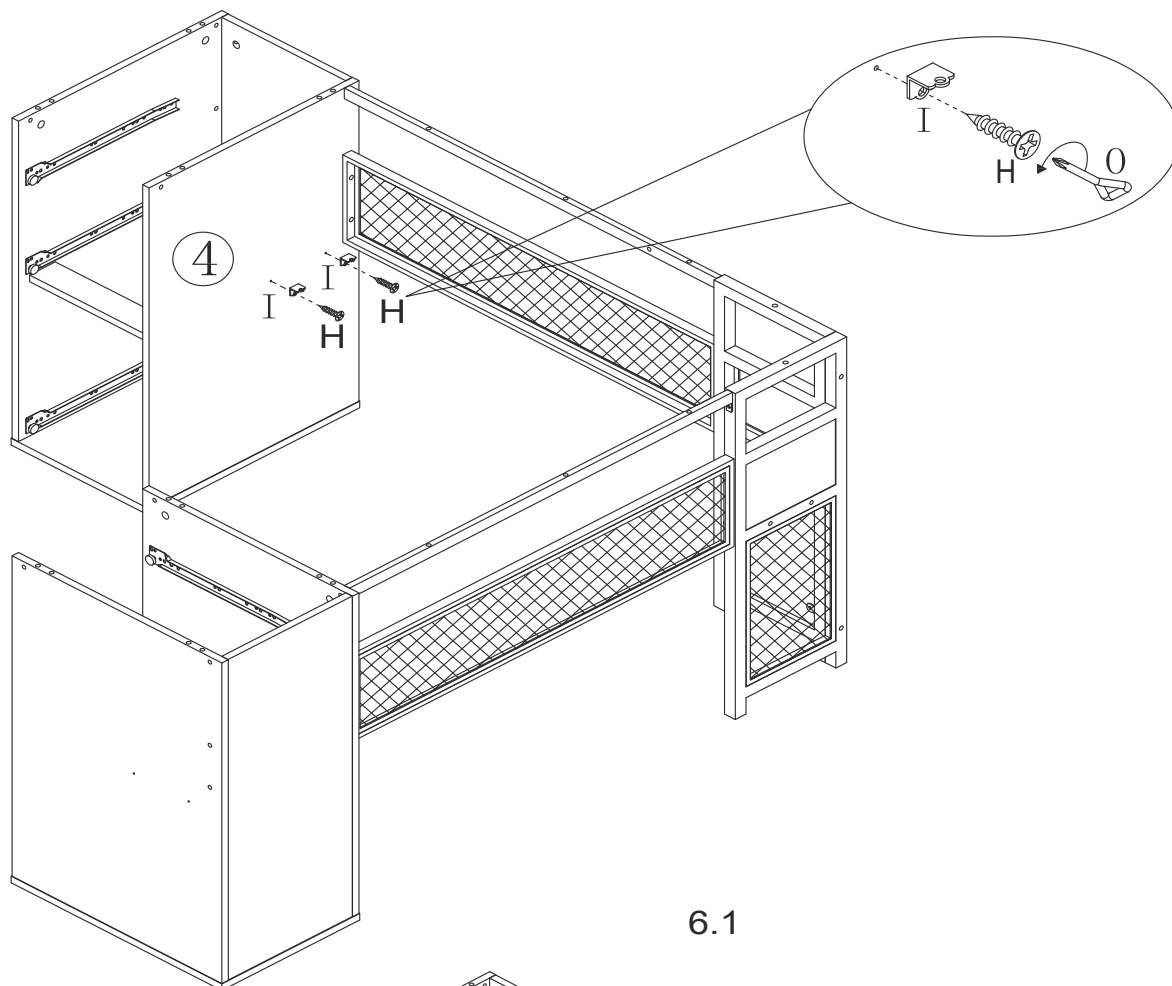
NOTE: DO NOT fully tighten all bolts at this step.

- 5.1 Fasten the Short Metal Tube (23) between the Left Metal Leg (18) and Right Side Panel (4) with one Short Bolt (E) and one Medium Bolt (G) by Allen Key(N). Fasten the Medium Metal Tube (24) between the Right Metal Leg (19) and Left Side Panel (3) with one Short Bolt (E) and one Medium Bolt (G) by Allen Key(N). DO NOT fully tighten all bolts.
- 5.2 Fasten the Small Metal Frame (20) between the Left Metal Leg (18) and Right Side Panel (4) with four Short Bolts (E) by Allen Key(N). Fasten the Big Metal Frame (22) between the Right Metal Leg (19) and Left Side Panel (3) with four Short Bolts (E) by Allen Key(N). DO NOT fully tighten all bolts. Make sure the flat sides of the Metal Frame and Metal Tube are facing outward.
- 5.3 Fasten the Long Metal Tube (27) to Long Shelf (17) with two Medium Bolts (G) by Allen Key (N).

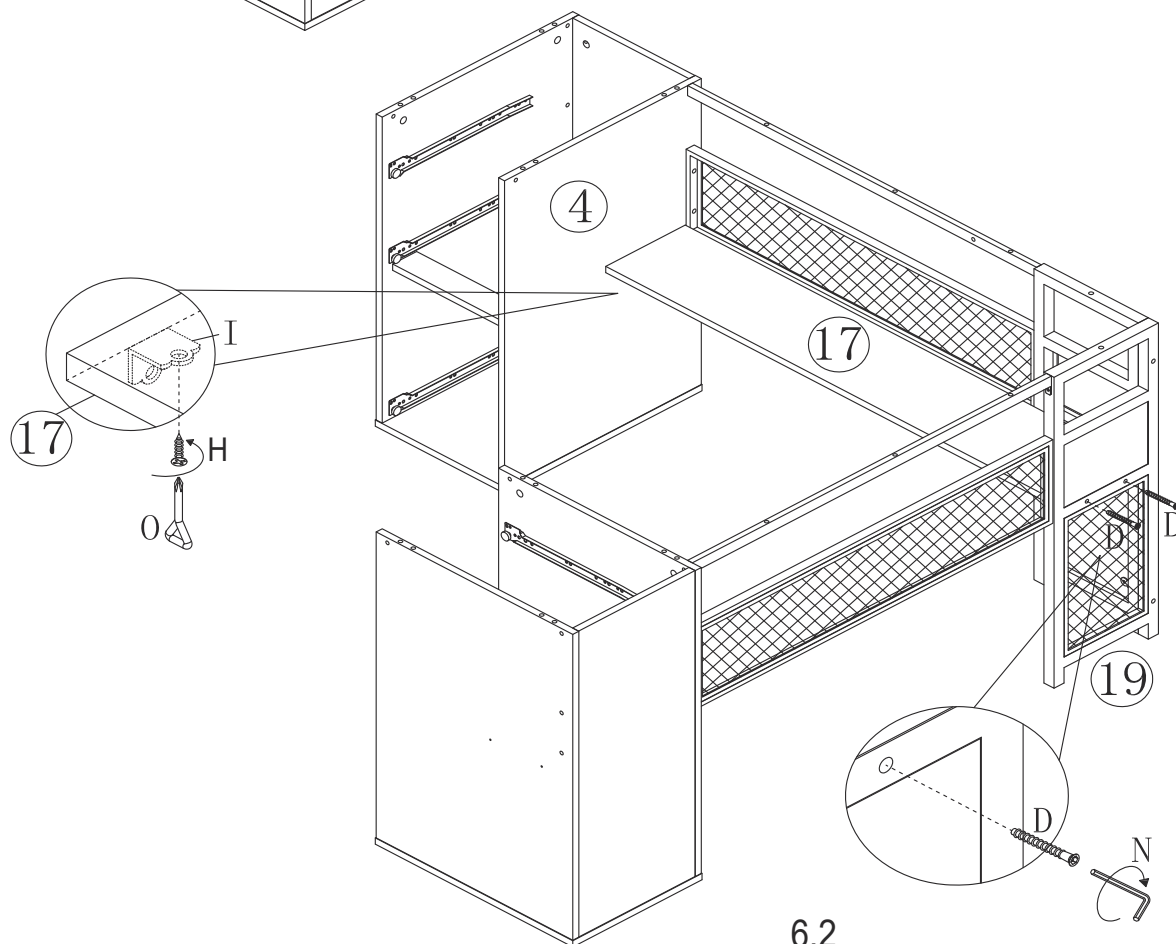


Step 06

- 6.1 Fasten two Metal Brakets (I) on the Right Side Panel (4) with two Slide Screws (H) by Screwdriver(O).
- 6.2 Fasten the Long Shelf (17) between the Right Metal Leg (19) and Right Side Panel (4) with two Long Bolts (D) by Allen Key(N) and two Slide Screws (H) through two Metal Brakets(I) by Screwdriver(O).



6.1

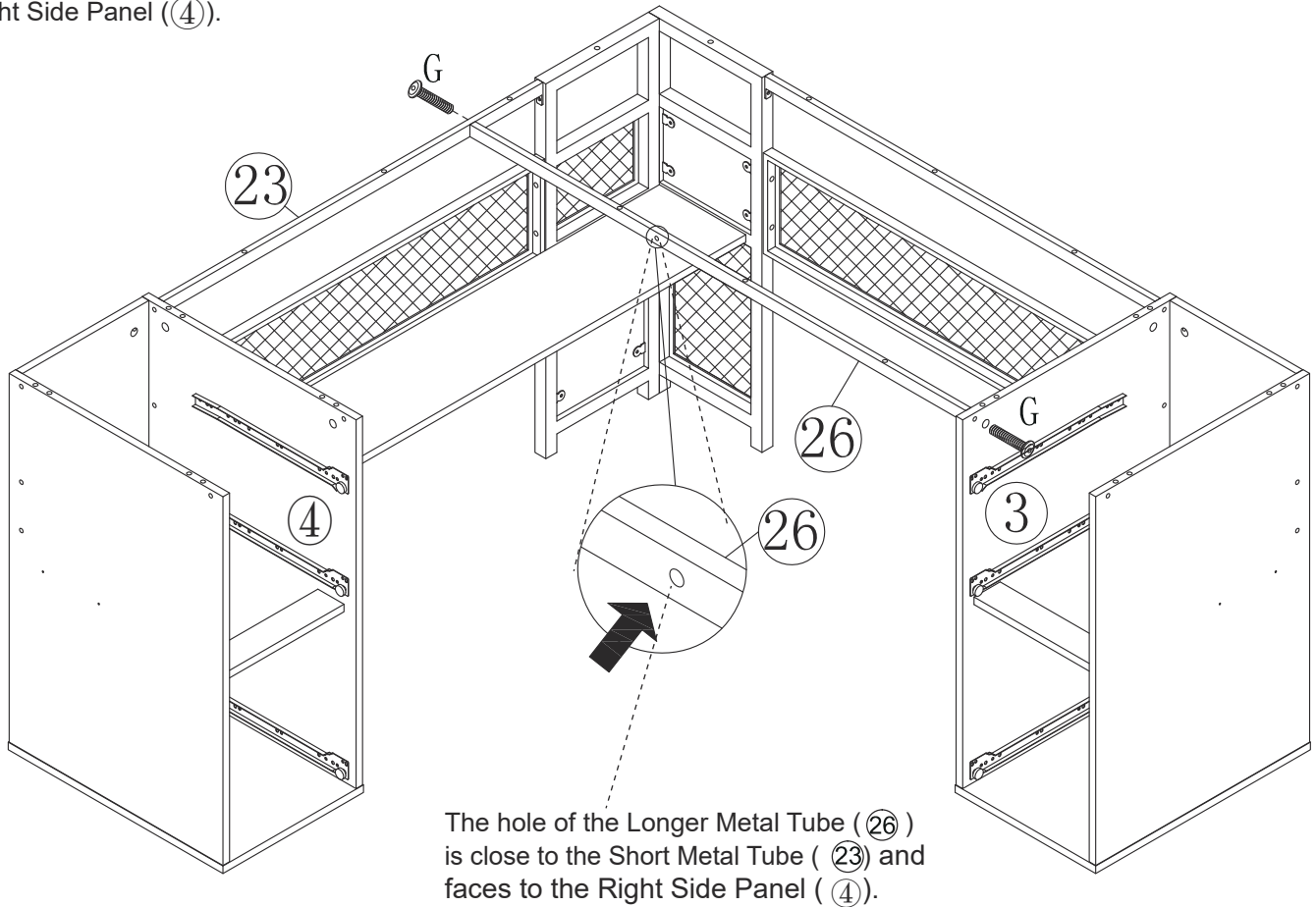


6.2

Step 07

NOTE: All bolts must be fully tightened at this step.

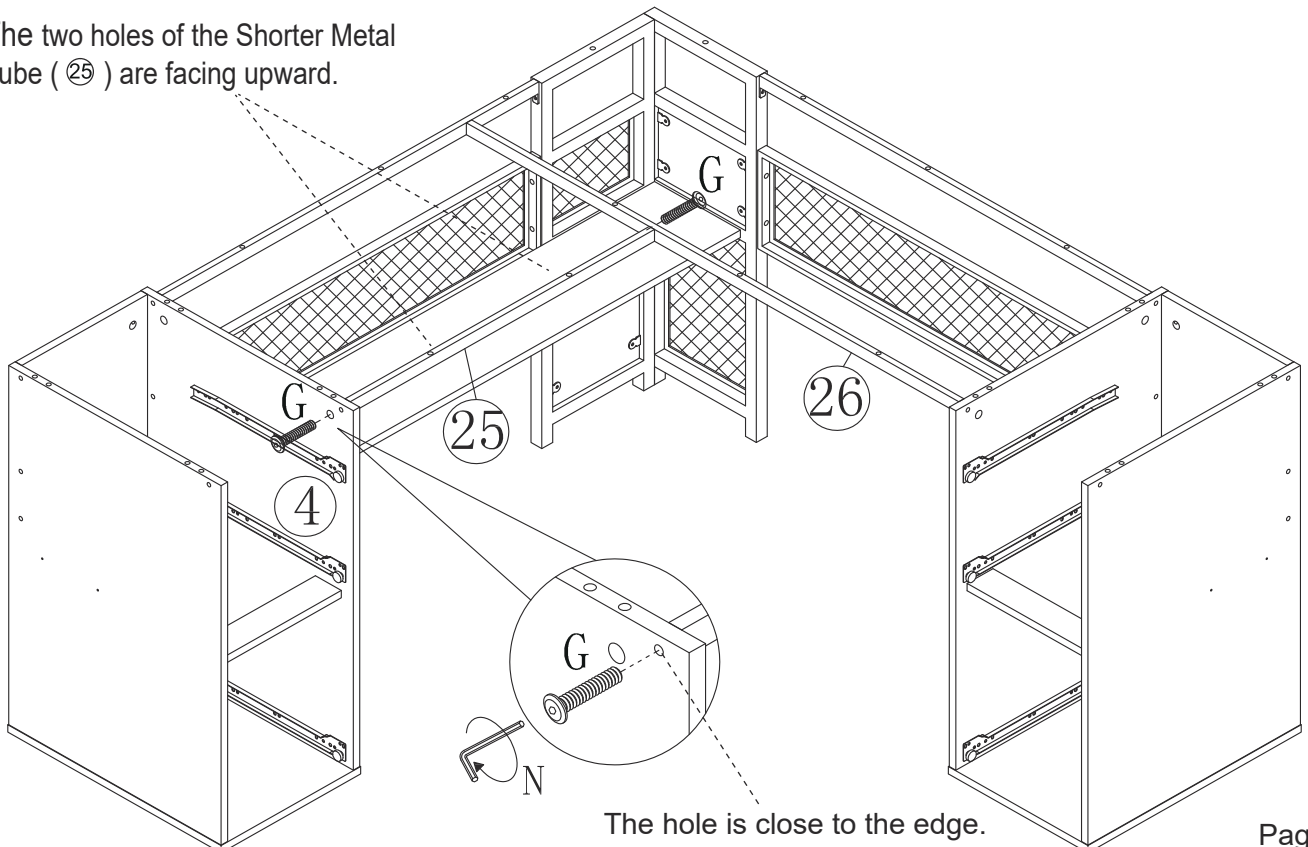
- 7 Connect and fasten the Longer Metal Tube (26) to Short Metal Tube (23) and Left Side Panel (3) with two Medium Bolts (G) by Allen Key(N). Make sure the hole of the Longer Metal Tube (26) is close to the Short Metal Tube (23), and faces to the Right Side Panel (4).



Step 08

- 8 Connect and fasten Shorter Metal Tube (25) to Right Side Panel (4) and Longer Metal Tube (26) with two Medium Bolts (G) by Allen Key(N). Make sure the two holes of the Shorter Metal Tube (25) are facing upward.

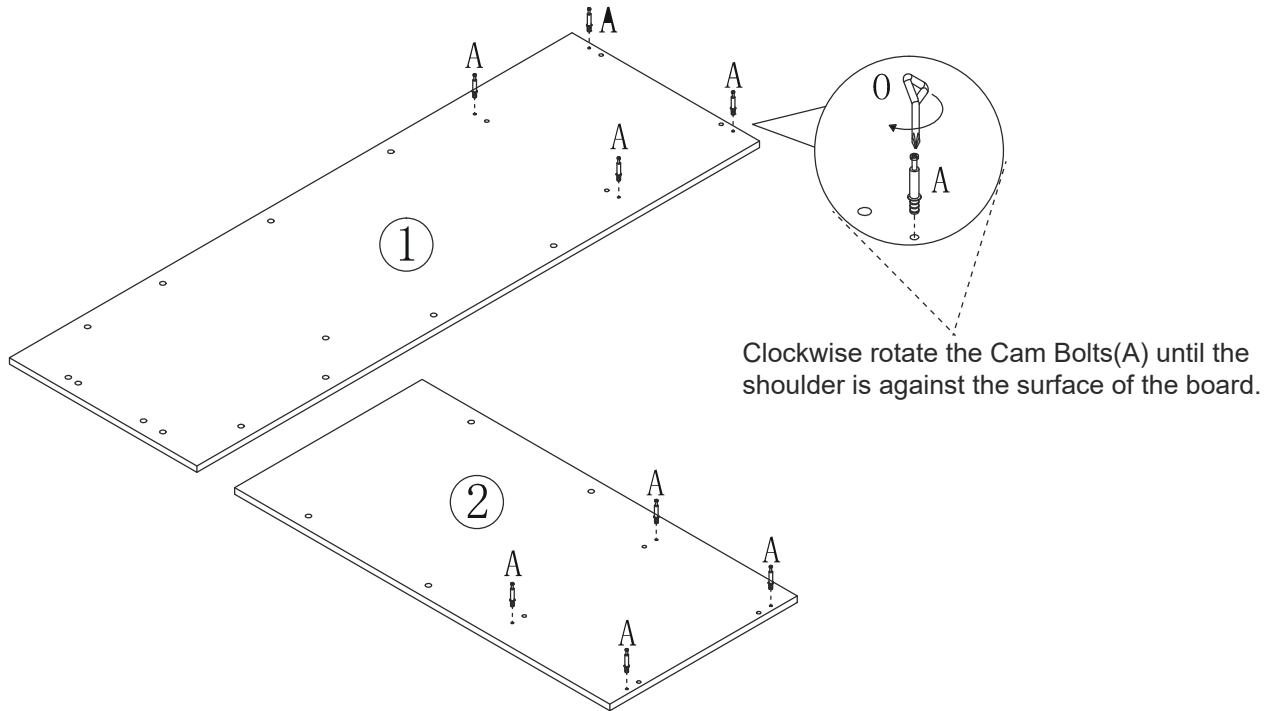
The two holes of the Shorter Metal Tube (25) are facing upward.



Step 09

NOTE: All bolts must be fully tightened at this step.

- 9 Insert and screw four Cam Bolts(A) into the holes on the Long Desktop (①), and four Cam Bolts(A) into the holes on the Short Desktop (②) with Screwdriver(O). Clockwise rotate the Cam Bolts(A) until the shoulder is against the surface of the board.

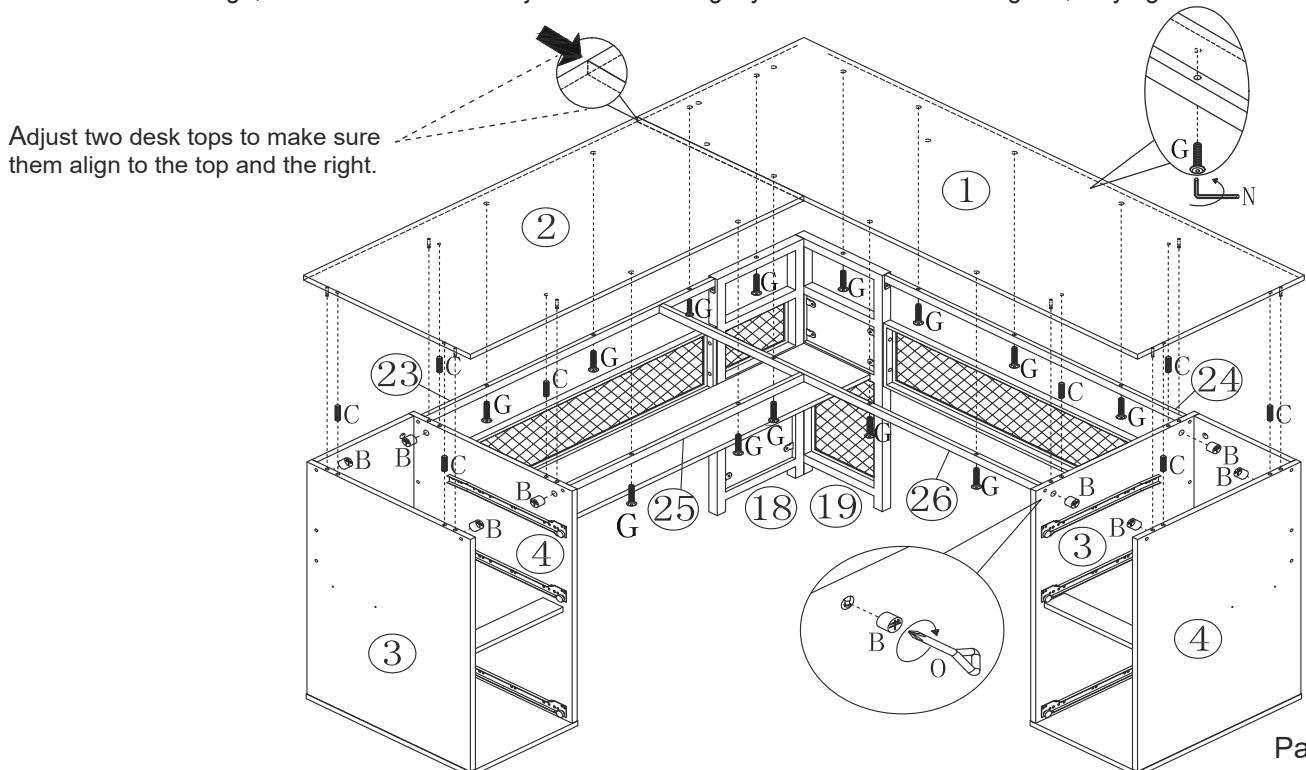


Step 10

NOTE: If holes don't align, loosen all bolts and adjust the holes slightly. After all holes are aligned, fully tighten all bolts.

- 10.1 Insert four Wood Dowels (C) into the holes on the Left and Right Side Panel (③ ④) on both sides separately. Then Put the Long Desktop(①) and Short Desktop(②) on the assembled frame, adjust two desk tops to make sure they align to the top and the right.
- 10.2 Fasten Long Desktop(①) to Medium Metal Tube(②④), Longer Metal Tube(②⑥), Left and Right Metal Legs(①⑧ ①⑨) with nine Medium Bolts(G) by Allen Key(N). Do not fully tighten all bolts until all parts are in place.
- 10.3 Fasten Short Desktop(②) to the Short Metal Tube (②③) and Shorter Metal Tube(②⑤) with four Medium Bolts(G) by Allen Key(N). Do not fully tighten all bolts until all parts are in place.
- 10.4 Insert four Cam Locks (B), make sure the arrow on Cam Locks (B) points to Cam Bolts (A), and then tightly fasten by turning Screwdriver (O) clockwise.

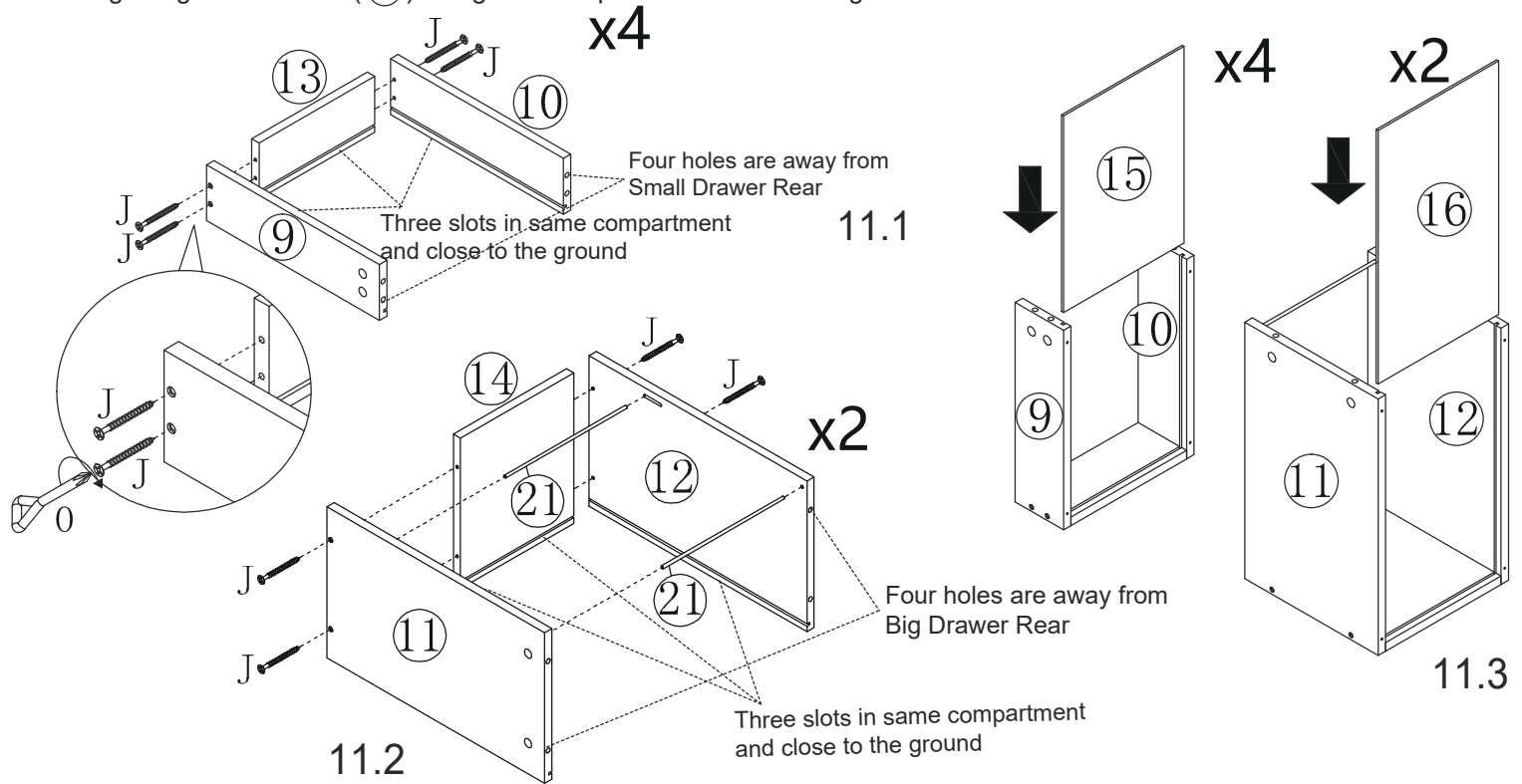
NOTE: If holes don't align, loosen all bolts and adjust the holes slightly. After all holes are aligned, fully tighten all the bolts.



Step 11

NOTE: All bolts must be fully tightened at this step.

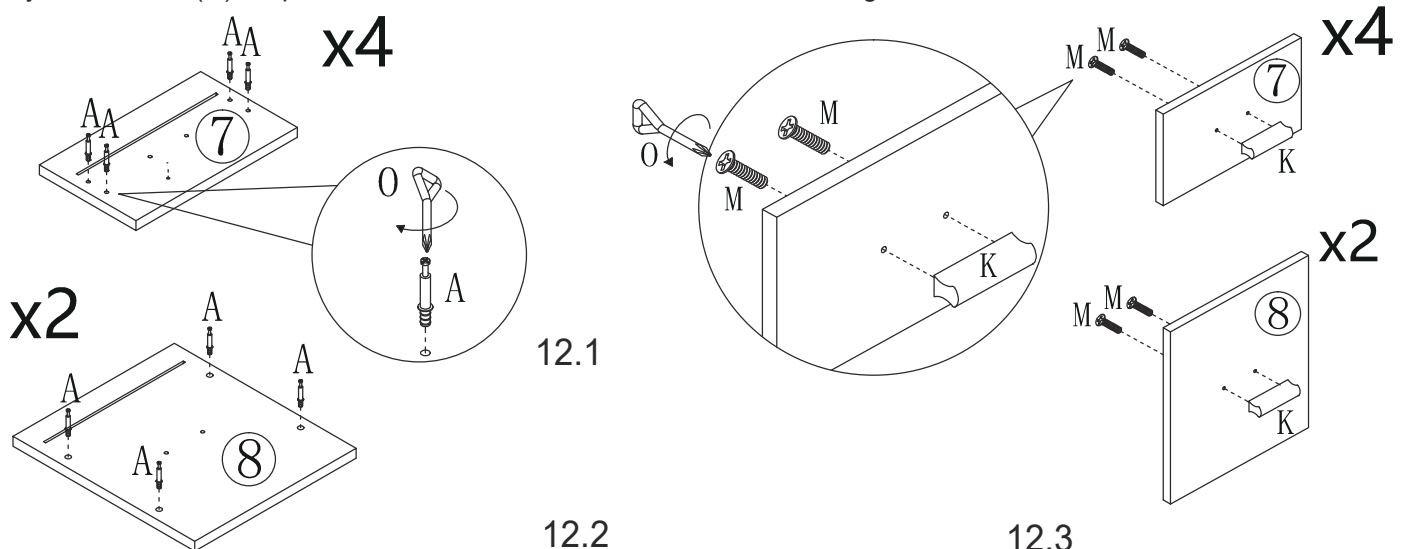
- 11.1 Connect and fasten Left Small Drawer Side (9) and Right Small Drawer Side (10) to Small Drawer Rear (13) with four Drawer Screws (J) by Screwdriver (O). Repeat it for another three small drawers.
- 11.2 Connect and fasten Left Big Drawer Side (11) and Right Big Drawer Side (12) to Big Drawer Rear (14) with four Drawer Screws (J) by Screwdriver (O). Insert the two Metal Bars (21) into the grooves of the Left and Right Big Drawer Sides (11, 12). Repeat it for the other big drawer.
- Note: Make sure three slots on these three panels are in the same compartment and close to the ground, four holes of Drawer Sides are away from Drawer Rear.
- 11.3 Insert Small Drawer Panel (15) between the Left Small Drawer Side (9) and Right Small Drawer Side (10) along slots. Repeat it for another three small drawers. Then insert Big Drawer Panel (16) between the Left Big Drawer Side (11) and Right Big Drawer Side (12) along slots. Repeat it for the other big drawer.



Step 12

NOTE: All bolts must be fully tightened at this step.

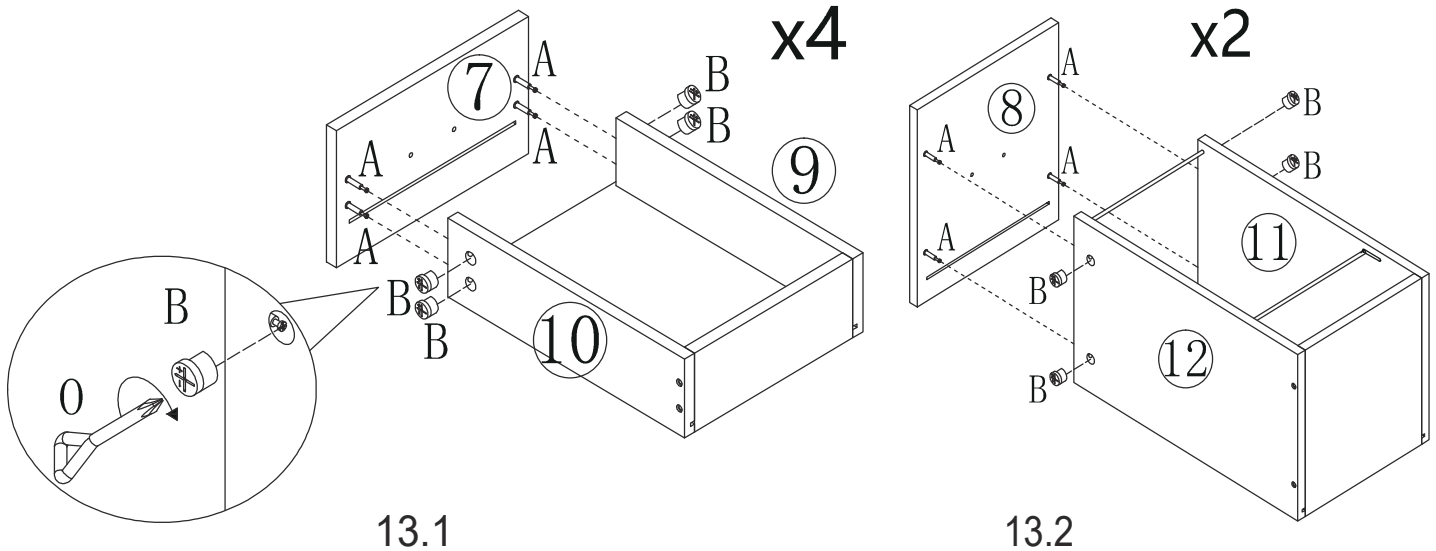
- 12.1 Insert and screw four Cam Bolts (A) into the holes on Small Drawer Front (7) by Screwdriver (O). Repeat it for another three Small Drawer Fronts (7).
- 12.2 Insert and screw four Cam Bolts (A) into the holes on Big Drawer Front (8) by Screwdriver (O). Repeat it for the other Big Drawer Front (8).
- 12.3 Attach and fasten Handle (K) to Small Drawer Front (7) and Big Drawer Front (8) separately with two Handle Bolts (M) by Screwdriver (O). Repeat it for another three small drawers and one big drawer.



Step 13

NOTE: All bolts must be fully tightened at this step.

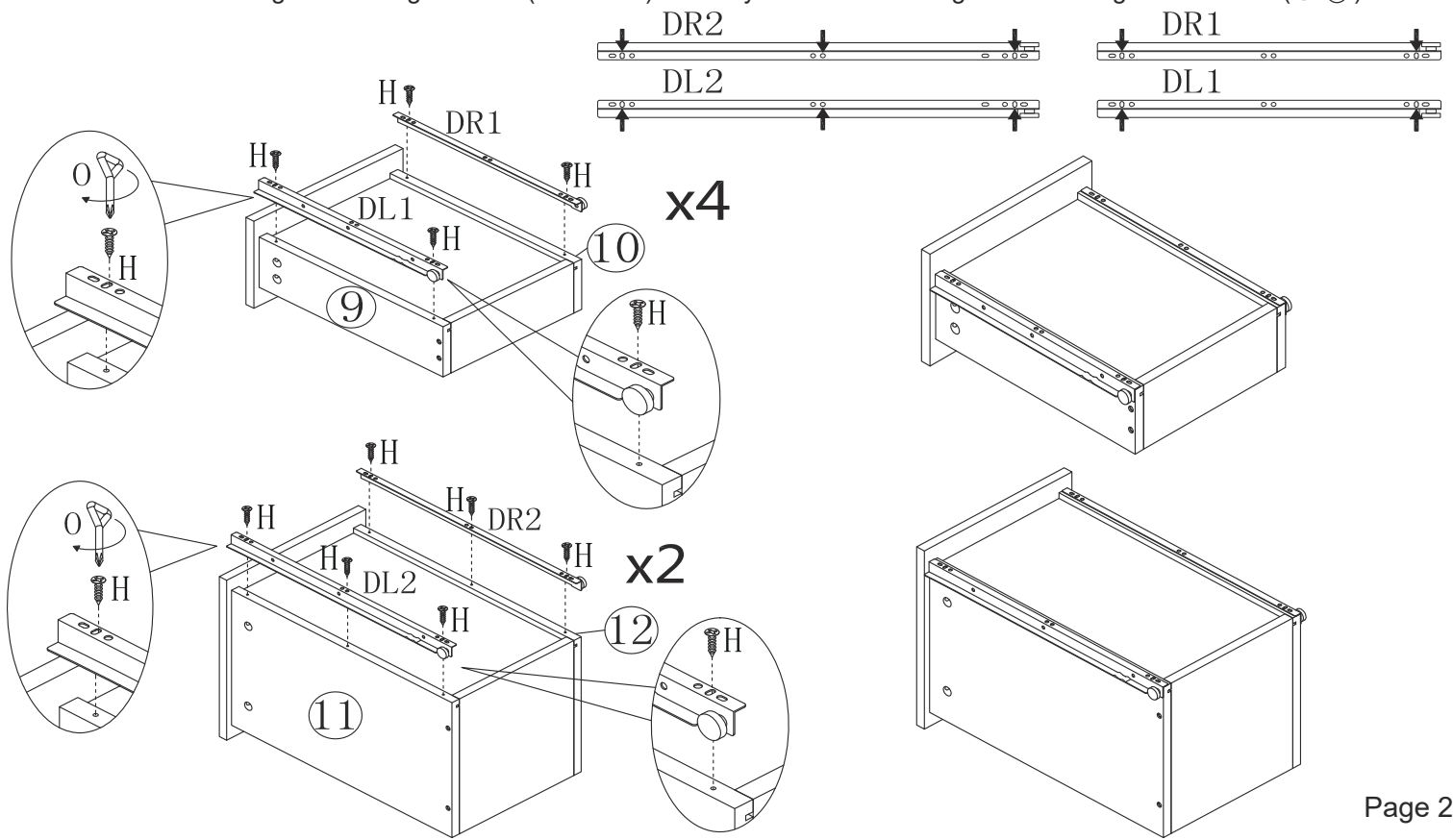
- 13.1 Connect Left Small Drawer Side (9) and Right Small Drawer Side (10) to Small Drawer Front (7) through cam bolts(A). When Cam Bolts(A) are attached, insert four Cam Locks(B), make sure the arrow on Cam Lock points to Cam Bolt(A), and then tightly fasten by turning Screwdriver(Q) clockwise. Repeat it for another three small drawers.
- 13.2 Connect Left Big Drawer Side (11) and Right Big Drawer Side (12) to Big Drawer Front (8) through cam bolts(A). When Cam Bolts(A) are attached, insert four Cam Locks(B), make sure the arrow on Cam Lock points to Cam Bolt(A), and then tightly fasten by turning Screwdriver(O) clockwise. Repeat it for the other big drawer.



Step 14

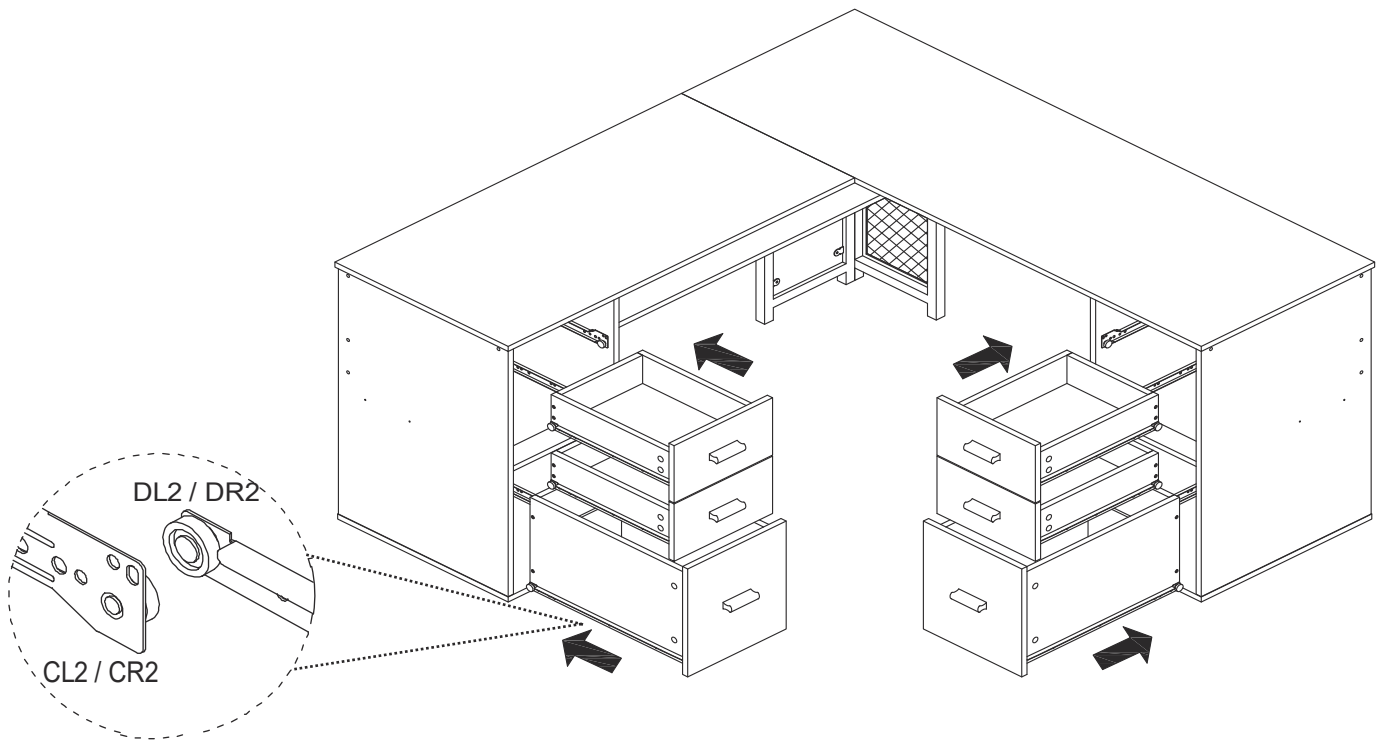
NOTE: All bolts must be fully tightened at this step.

- 14.1 Connect and fasten Small Drawer Left Slides (DL1) to Left Small Drawer Side (9) with two Slide Screws (H) by Screwdriver (O). Connect and fasten Small Drawer Right Slide (DR1) to Right Small Drawer Side (10) with two Slide Screws(H) by Screwdriver(O). Make sure insert the Slide Screws (H) into the holes as picture shown. Repeat it for another three small drawers.
- 14.2 Connect and fasten Big Drawer Left Slide (DL2) to Left Big Drawer Side (11) with three Slide Screws (H) by Screwdriver (O). Connect and fasten Big Drawer Right Slide (DR2) to Right Big Drawer Side (12) with three Slide Screws(H) by Screwdriver(O). Make sure insert the Slide Screws (H) into the holes as picture shown. Repeat it for the other big drawer.
- Please note that the Small & Big Drawer Left Slides(DL1/DL2) can only be installed in Left Small & Big Drawer Side (9/11) and the Small & Big Drawer Right Slides (DR1/DR2) can only be installed in Right Small & Big Drawer Side (10/12).



Step 15

- 15.1 Insert one big drawer at the bottom of the cabinet firstly. Line up the Slide(DL2 / DR2) on the drawer with the Slide(CL2 / CR2) on the cabinet and push the drawer into the cabinet until the drawer is fully inserted. Repeat it for the other big drawer.
- 15.2 Then insert the two small drawers at the middle and top of the cabinet. Line up the Slide(DL1 / DR1) on the small drawer with the Slide(CL1 / CR1) on the cabinet and push the drawer into the cabinet until the drawer is fully inserted. Repeat it for another two small drawers.
- Note: The drawer will push in hard until it is all the way in, then it will slide in and out easier.



Step 16

- 16 Stick eight Stickers(P) on the exposed holes of the Side Panels (③ ④). And then fully tighten all bolts. This completes assembly.

