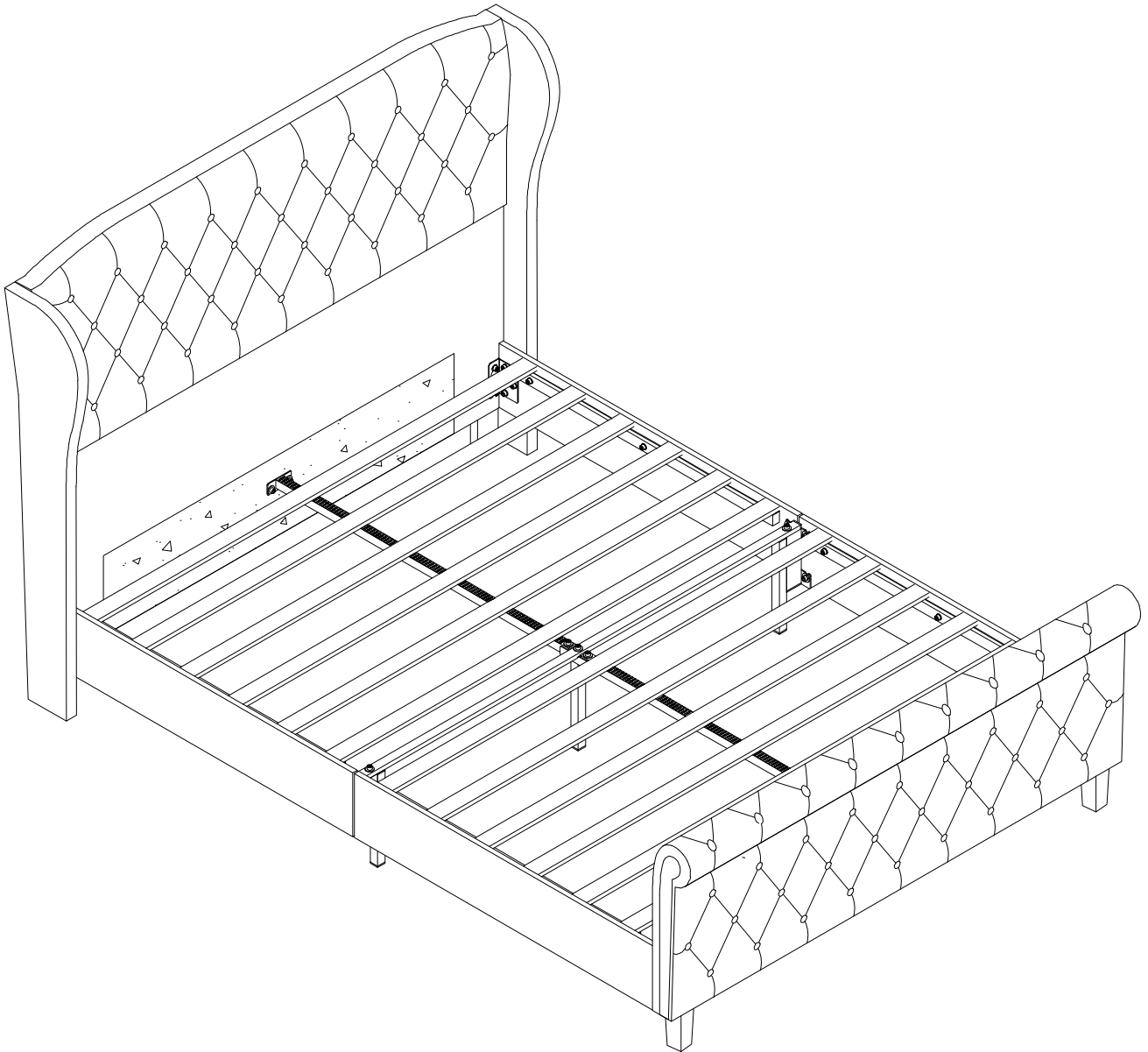


Upholstered Platform Bed with Tufted Wingback Headboard

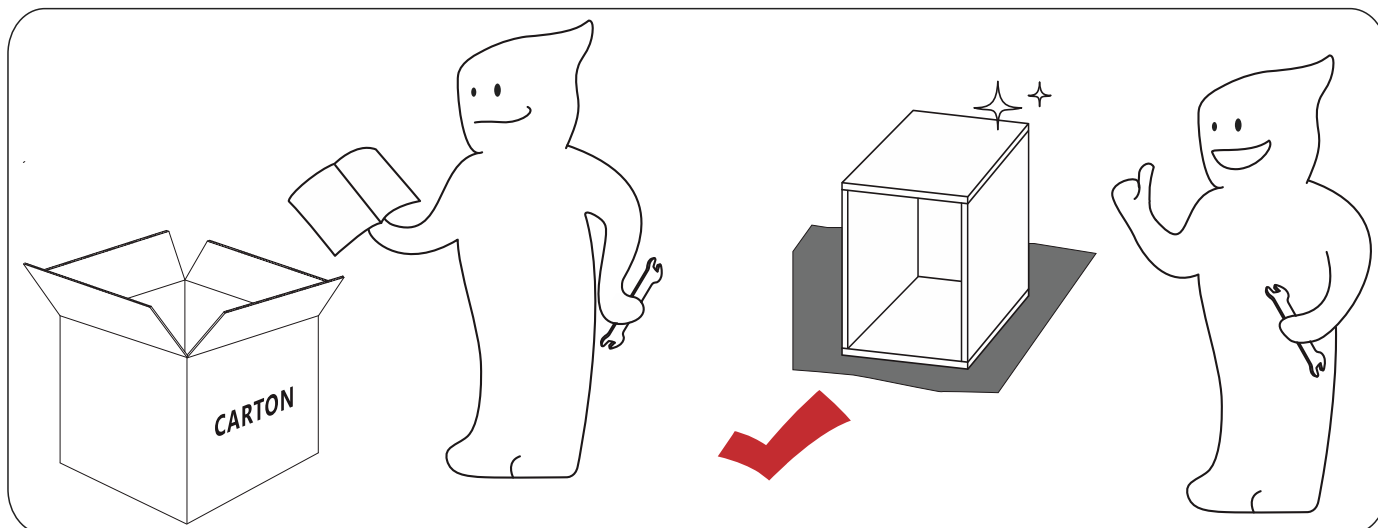
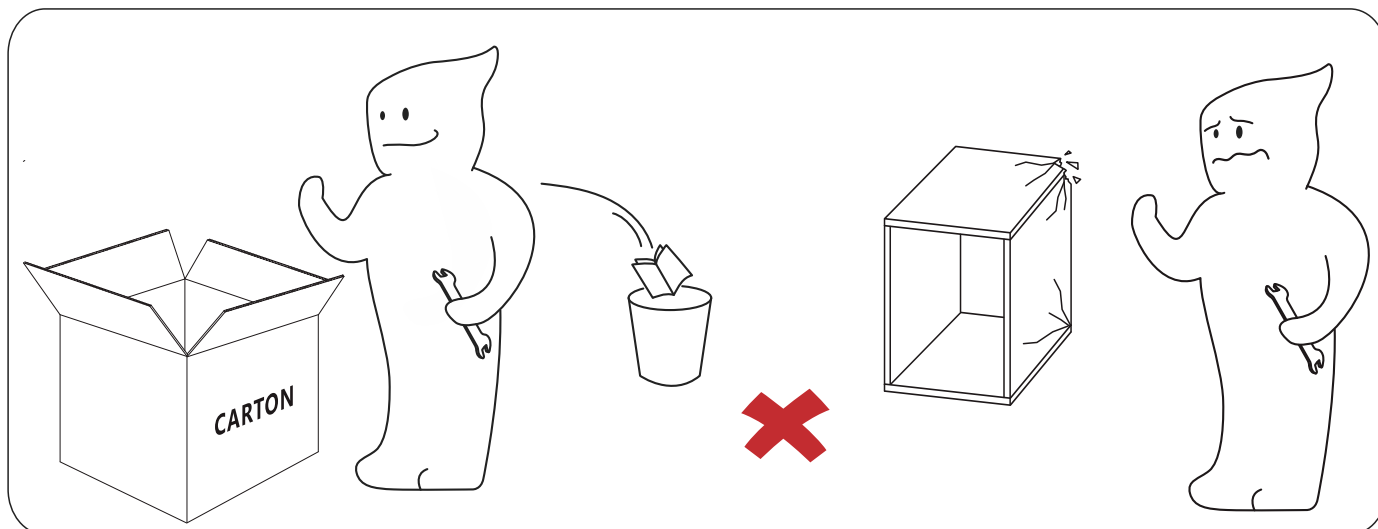


Friendly Customer Service

Satisfaction Guarantees: Any problems with assembly, quality, or return, please feel free to contact us directly.

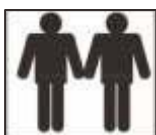
! IMPORTANT

Please follow the instruction manuals and use a pad to protect the product during your assembly.



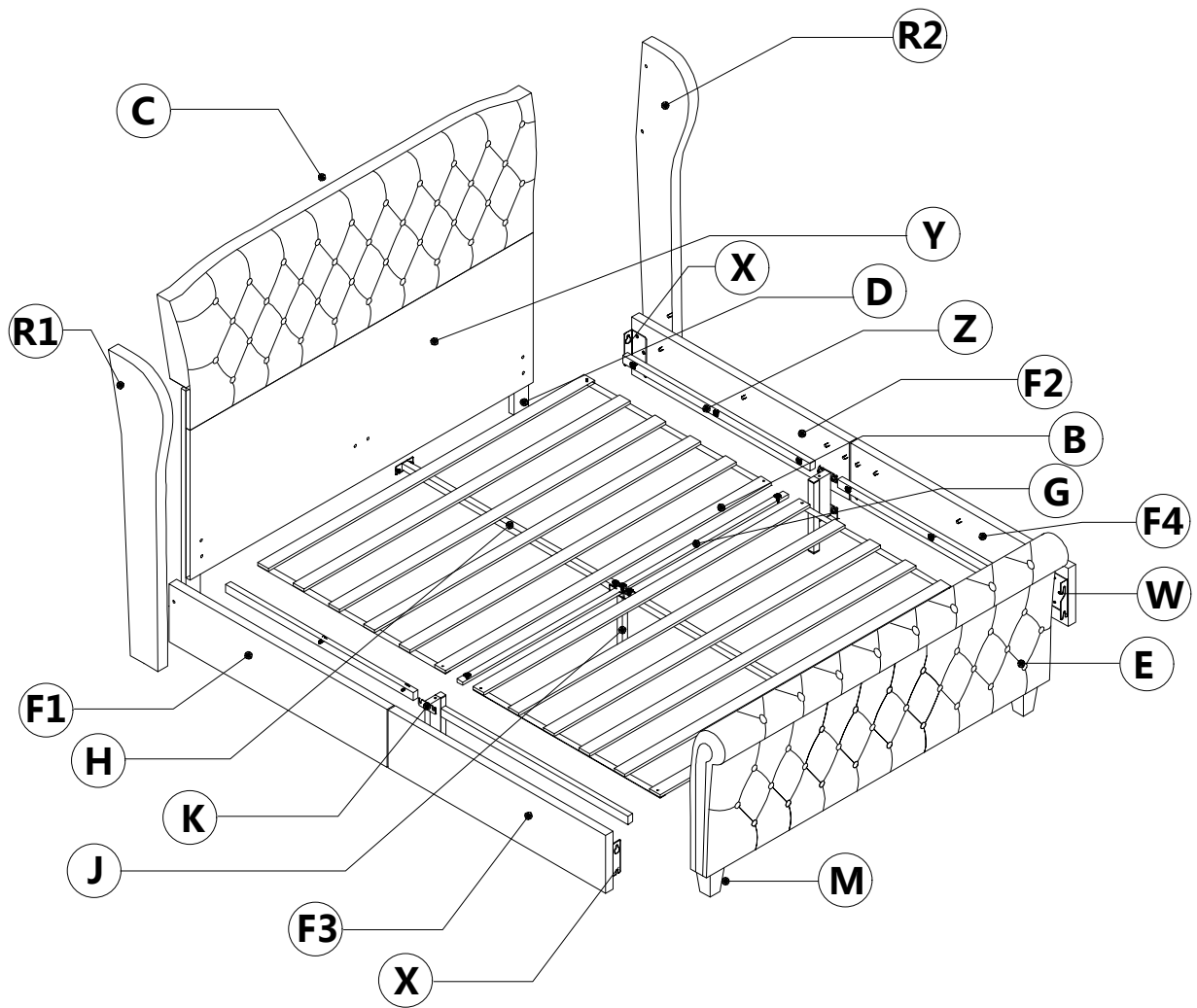
Note:

1. Should be assembled on flat ground to keep balance.
2. Before completing the installation, do not tighten the screws.

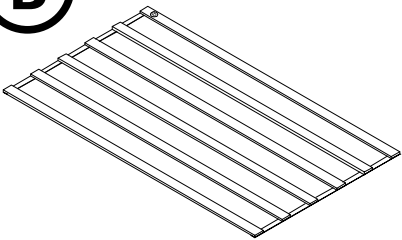
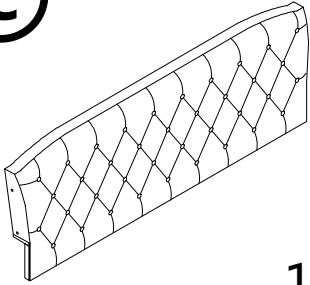
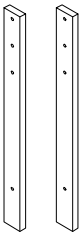
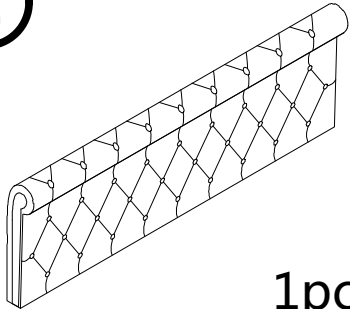
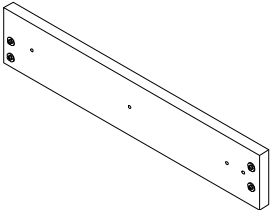
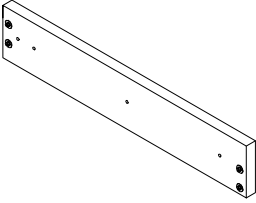
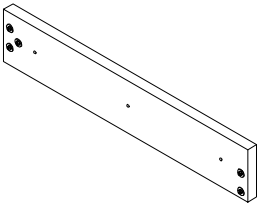
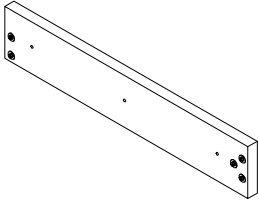
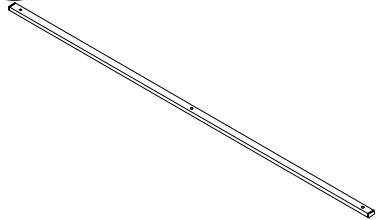
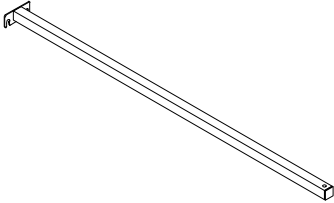

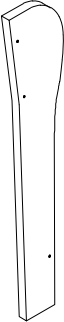
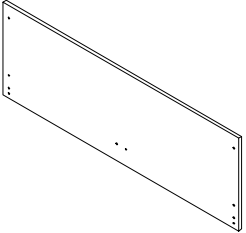
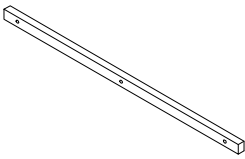


For easier and better assembly, **2** or more adults are required.

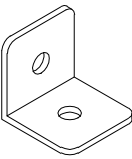
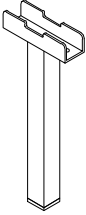
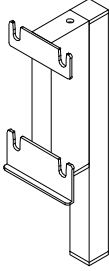
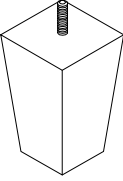
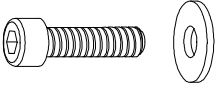
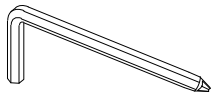
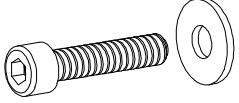
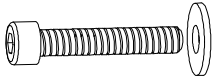
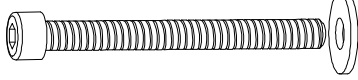
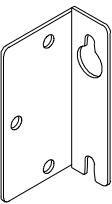
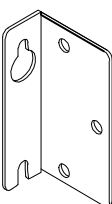
ASSEMBLY INSTRUCTIONS



BED FRAME PARTS LIST

<p>(B)</p>  <p>2pcs</p>	<p>(C)</p>  <p>1pc</p>	<p>(D)</p>  <p>2pcs</p>
<p>(E)</p>  <p>1pc</p>	<p>(F1)</p>  <p>1pc</p>	<p>(F2)</p>  <p>1pc</p>
<p>(F3)</p>  <p>1pc</p>	<p>(F4)</p>  <p>1pc</p>	<p>(G)</p>  <p>1pc</p>
<p>(H)</p>  <p>2pcs</p>	<p>(R1)</p>  <p>1pc</p>	<p>(R2)</p>  <p>1pc</p>
<p>(Y)</p>  <p>1pc</p>	<p>(Z)</p>  <p>4pcs</p>	

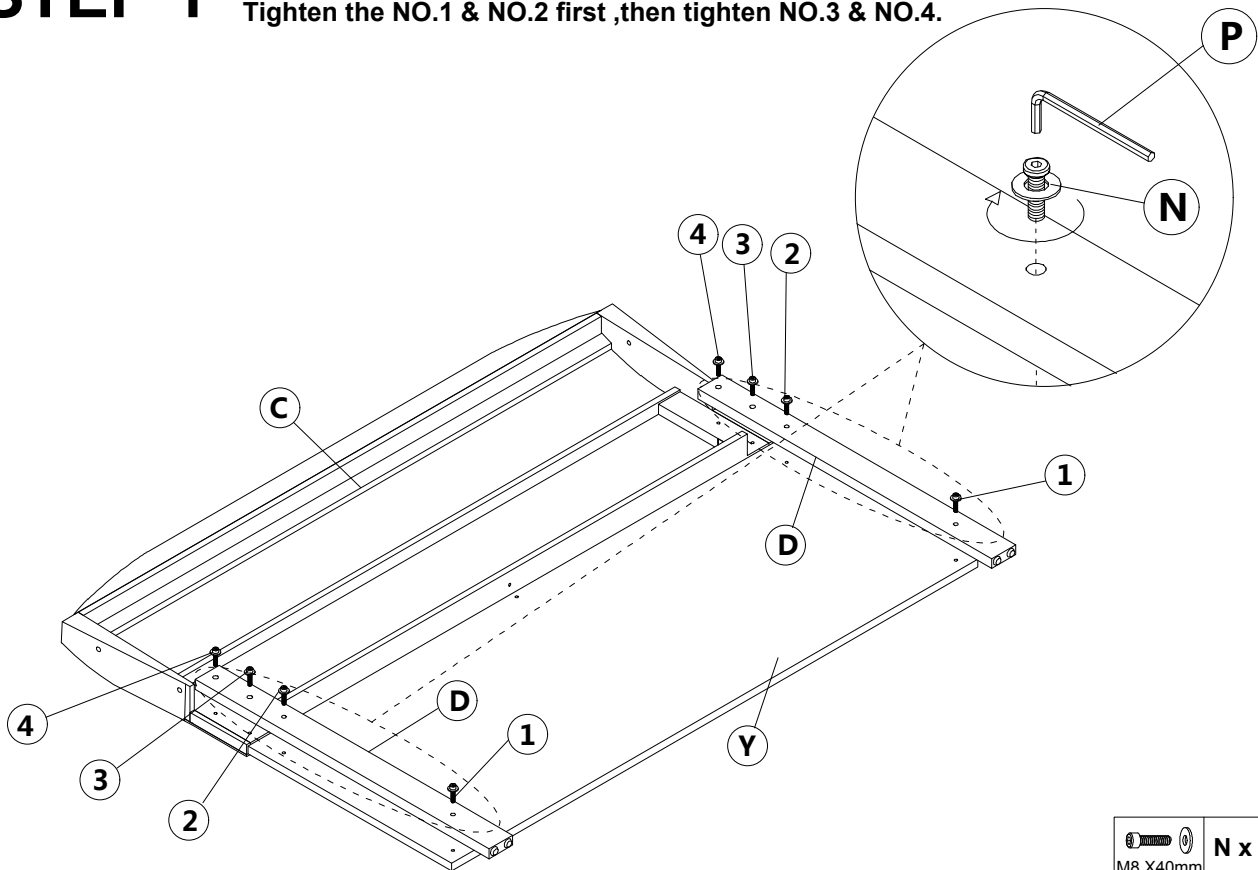
FITTING PARTS LIST

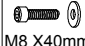

<p>I</p>  <p>1pc</p>	<p>J</p>  <p>1pc</p>	<p>K</p>  <p>2pcs</p>
<p>M</p>  <p>2pcs</p>	<p>N</p>  <p>M8 X40mm 25pcs+1pc</p>	<p>P</p>  <p>M8 Spanner 1pc</p>
<p>Q</p>  <p>M8 X50mm 2pcs</p>	<p>Q1</p>  <p>M8 X45mm 2pcs</p>	<p>Q2</p>  <p>M8 X80mm 2pcs</p>
<p>W</p>  <p>2pcs</p>	<p>X</p>  <p>2pcs</p>	

ASSEMBLY INSTRUCTIONS

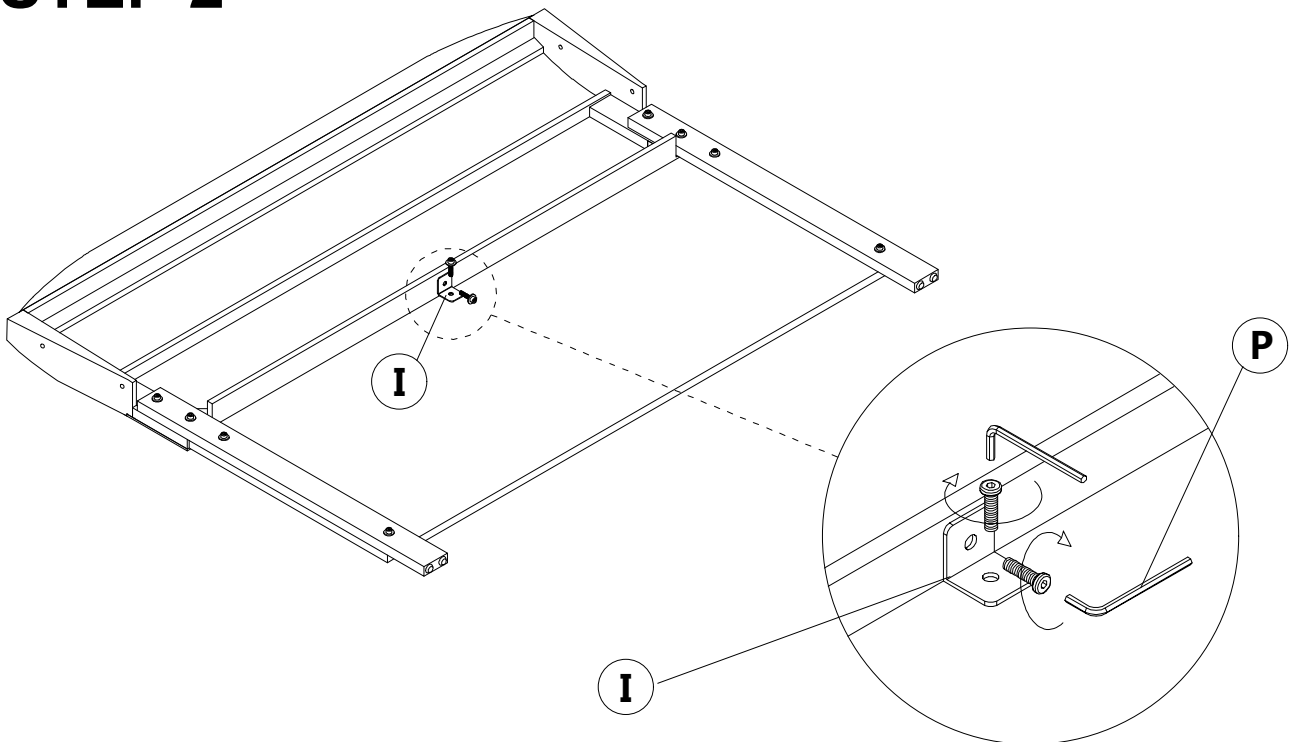
STEP 1



Tighten the NO.1 & NO.2 first ,then tighten NO.3 & NO.4.



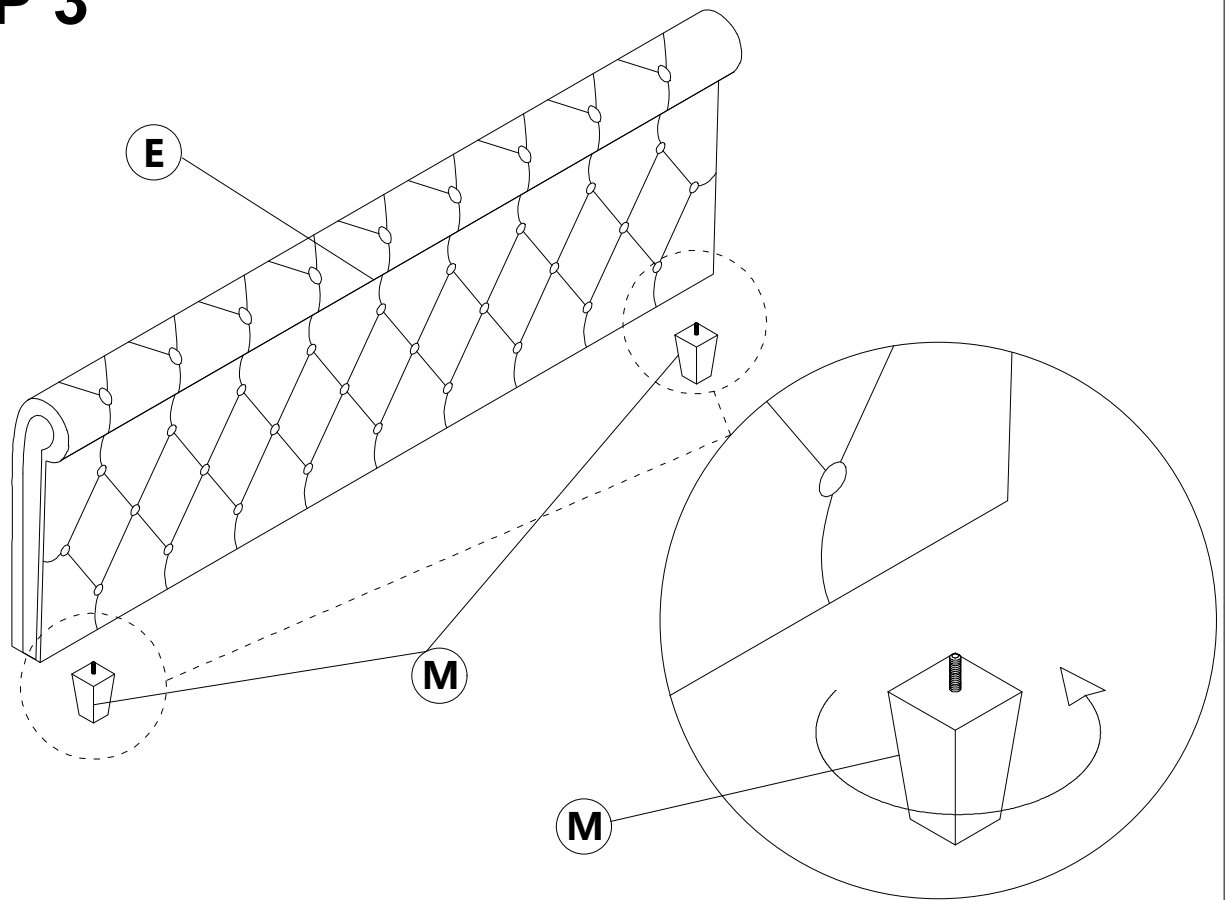
	N x 8pcs
M8 X40mm	
	P x 1pc

STEP 2



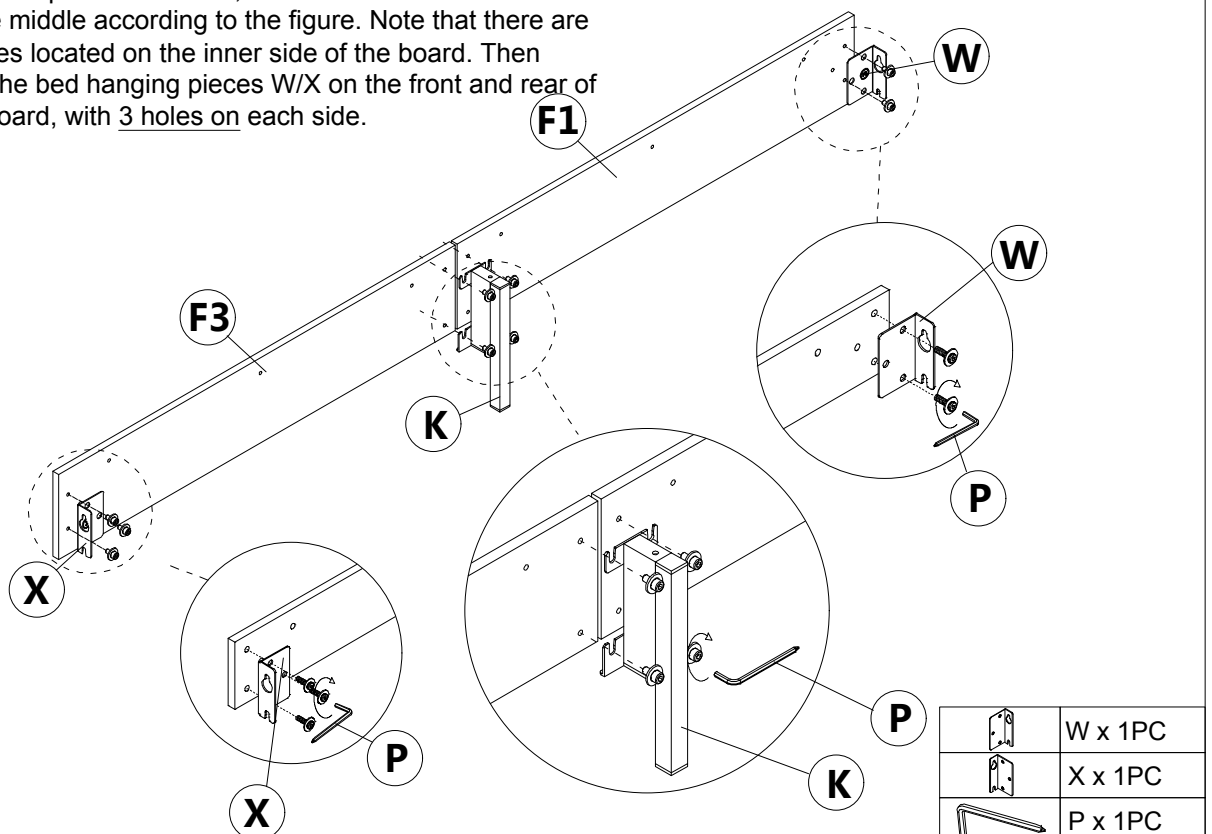
	I x 1pc
	P x 1pc

STEP 3



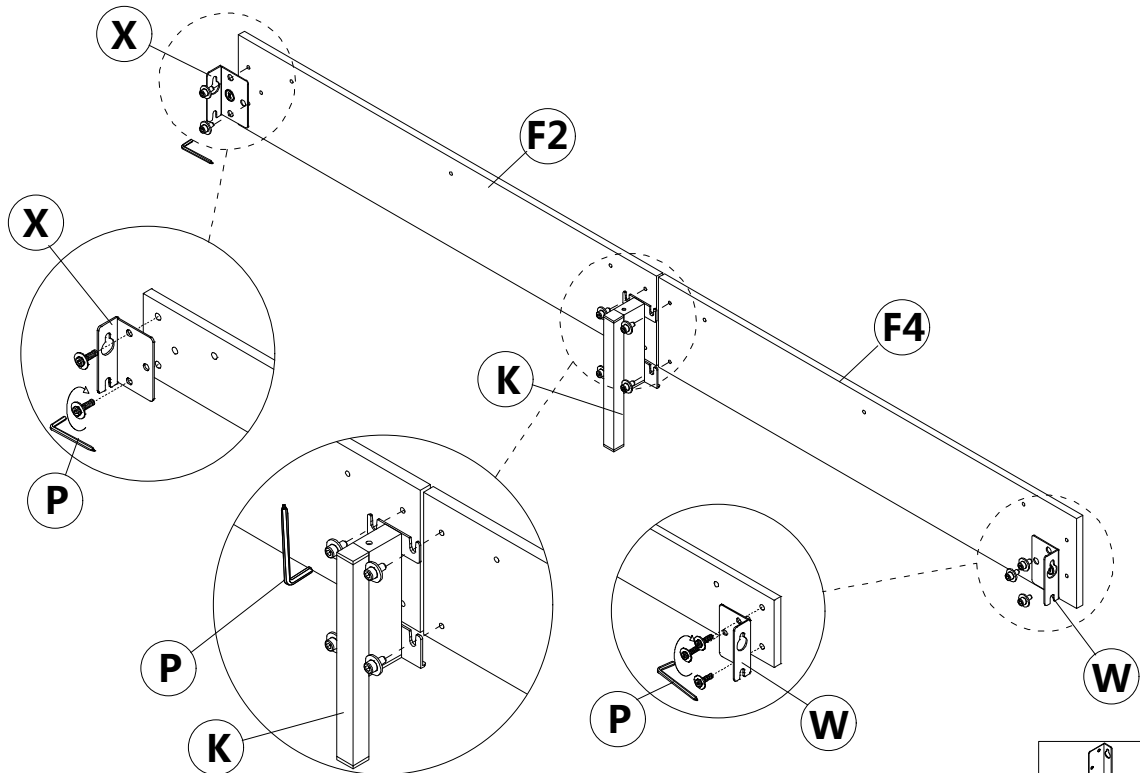
STEP 4




Take out parts F1 and F3, and lock the iron frame foot K in the middle according to the figure. Note that there are 2 holes located on the inner side of the board. Then lock the bed hanging pieces W/X on the front and rear of the board, with 3 holes on each side.



STEP 5

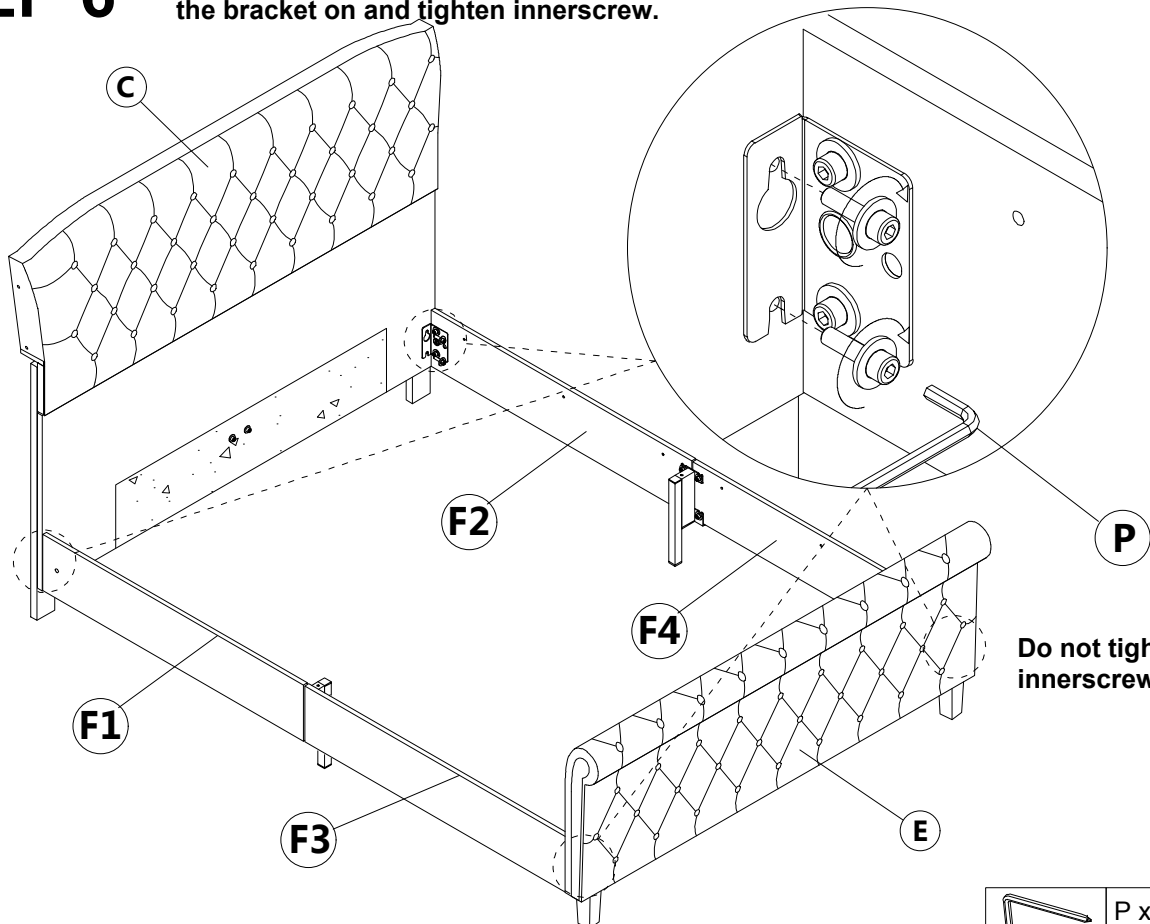
Same as Step 4



	W x 1PC
	X x 1PC
	P x 1PC

STEP 6

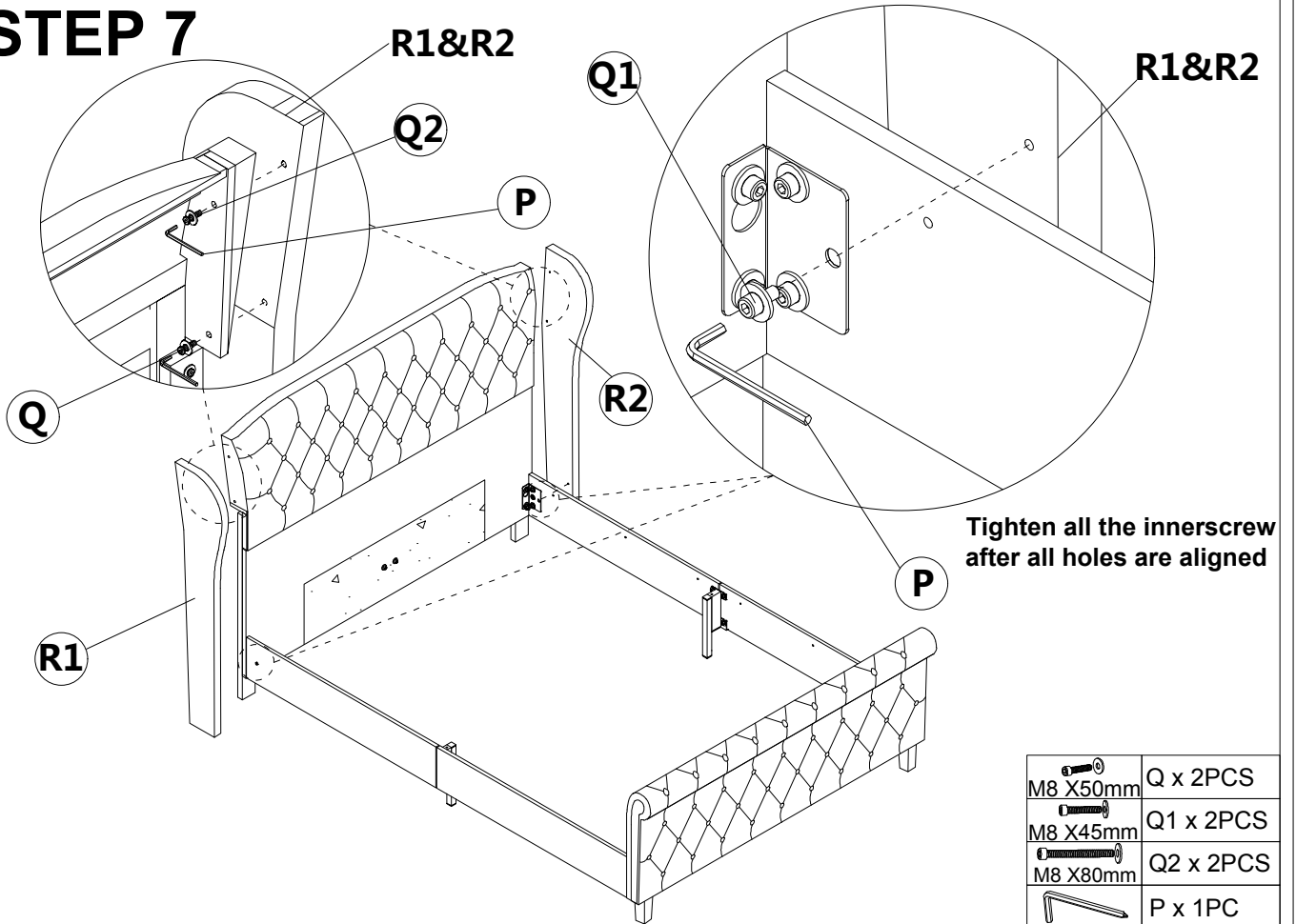
Loosen the screw of headboard side leg and both sides of footboard, then hang the bracket on and tighten innerscrew.



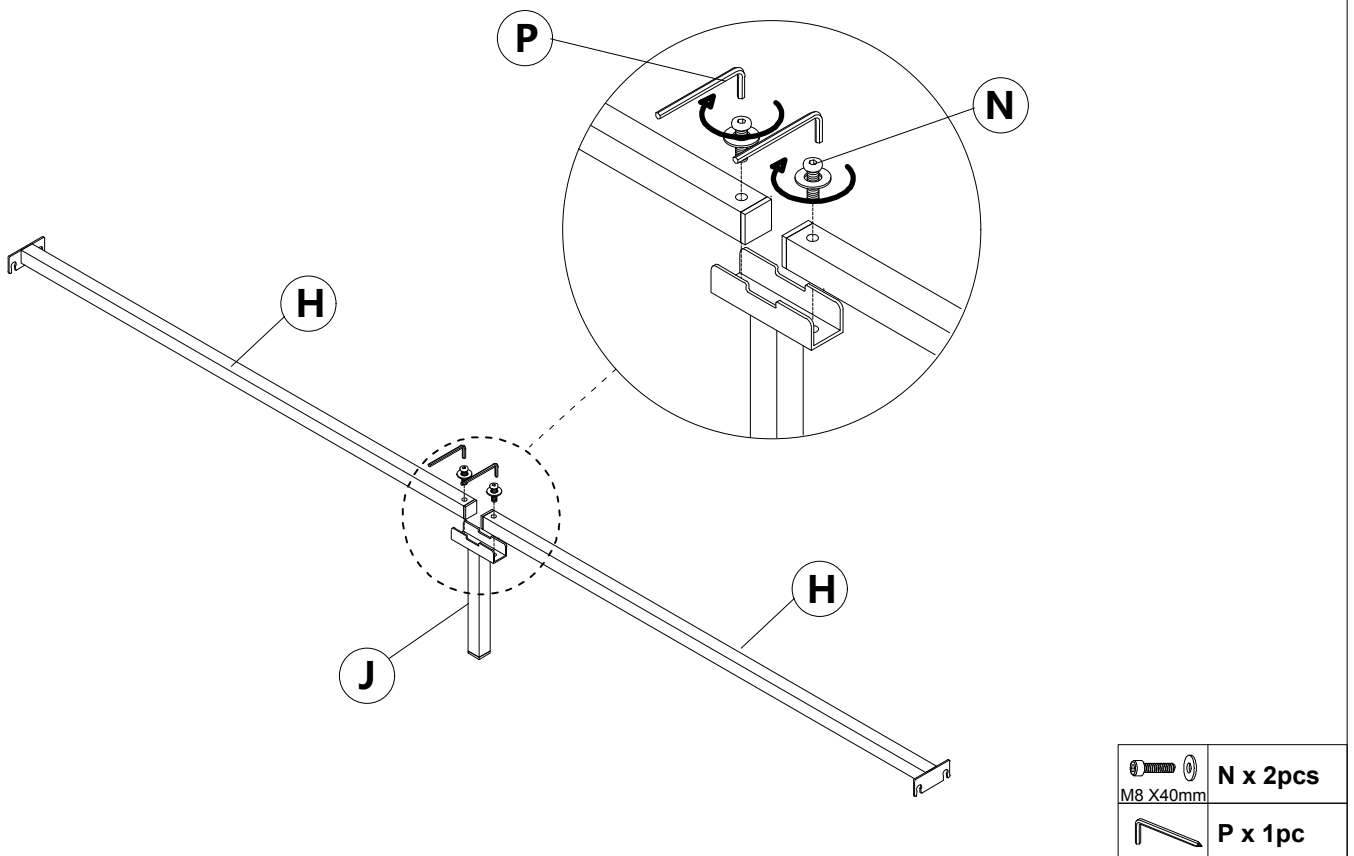
	P x 1PC
---	---------

ASSEMBLY INSTRUCTIONS

STEP 7

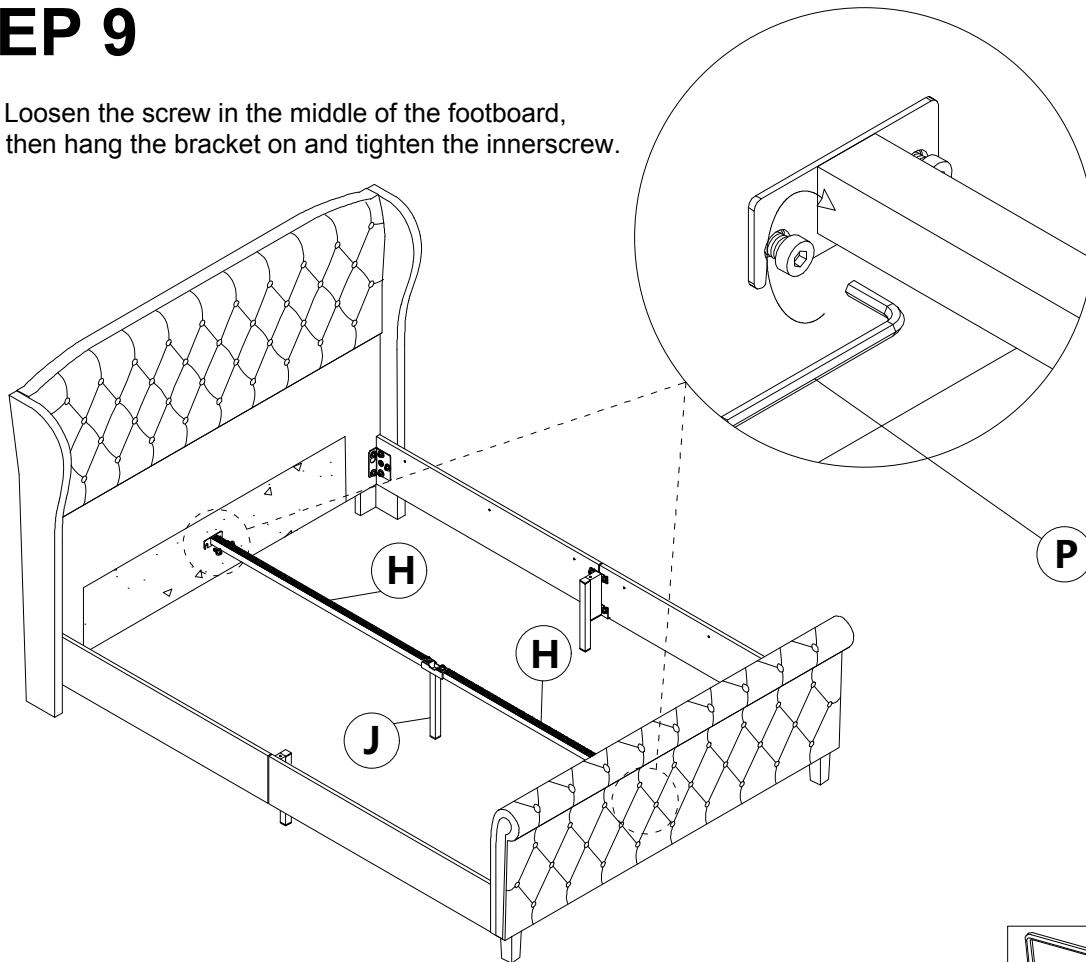



STEP 8



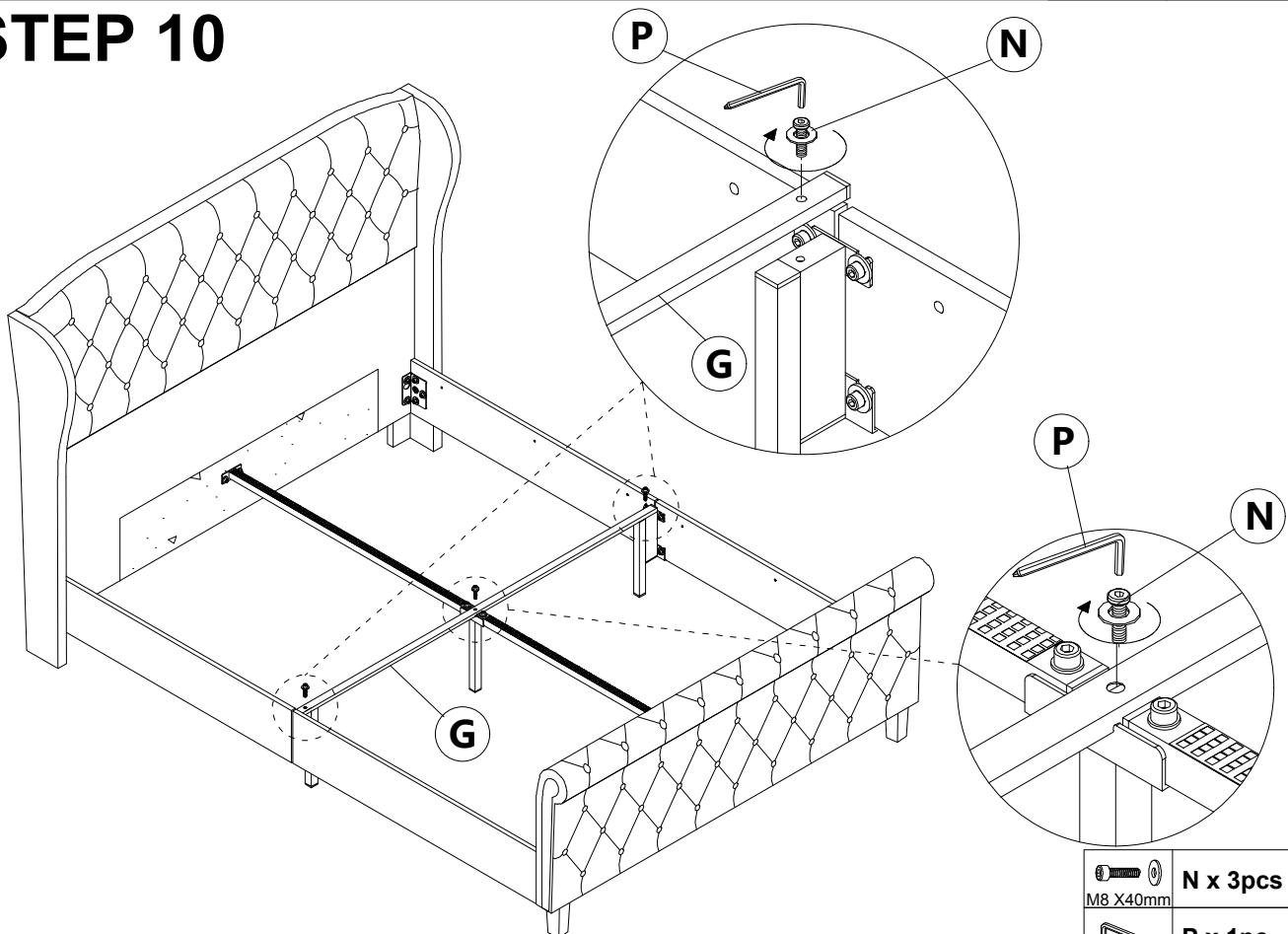
STEP 9

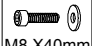
Loosen the screw in the middle of the footboard, then hang the bracket on and tighten the innerscrew.




 P x 1PC

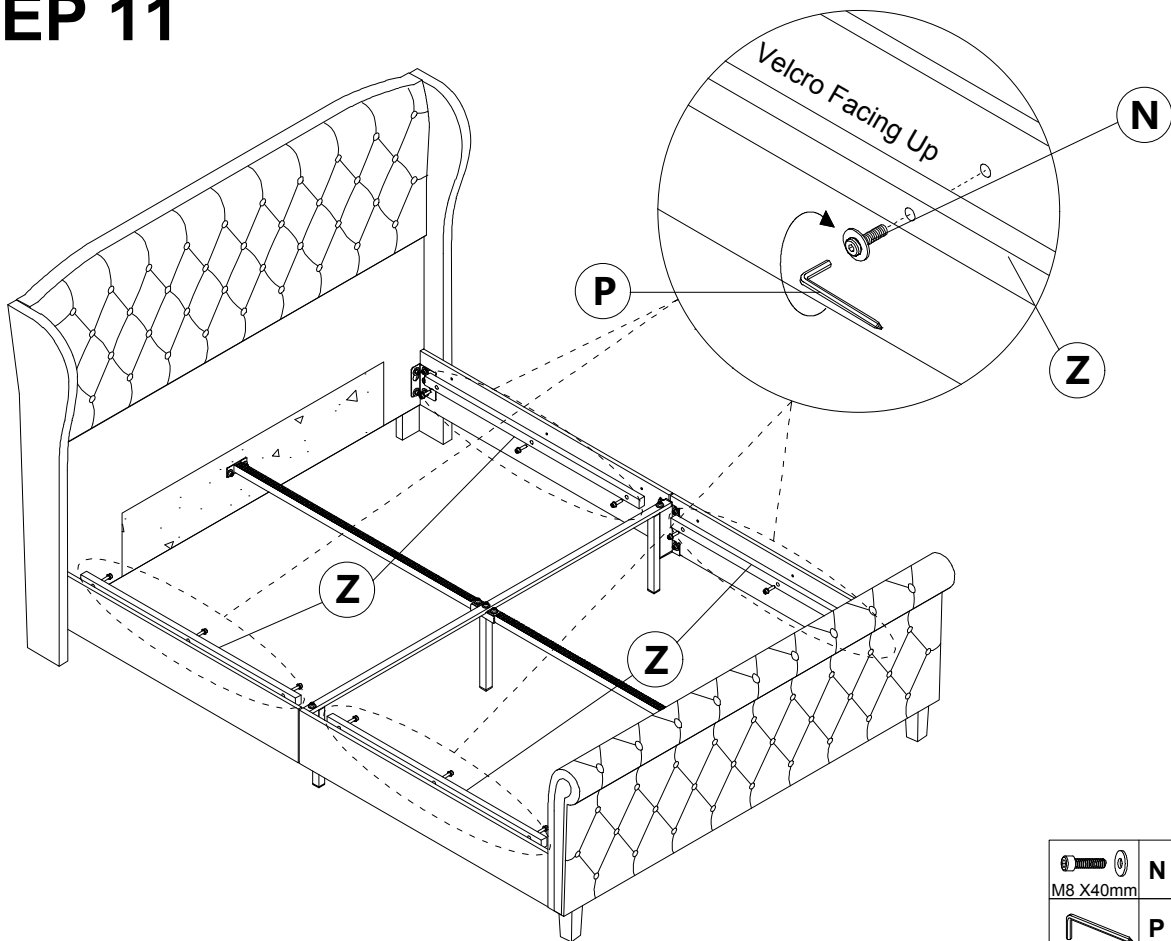
STEP 10

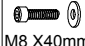



 N x 3pcs
M8 X40mm

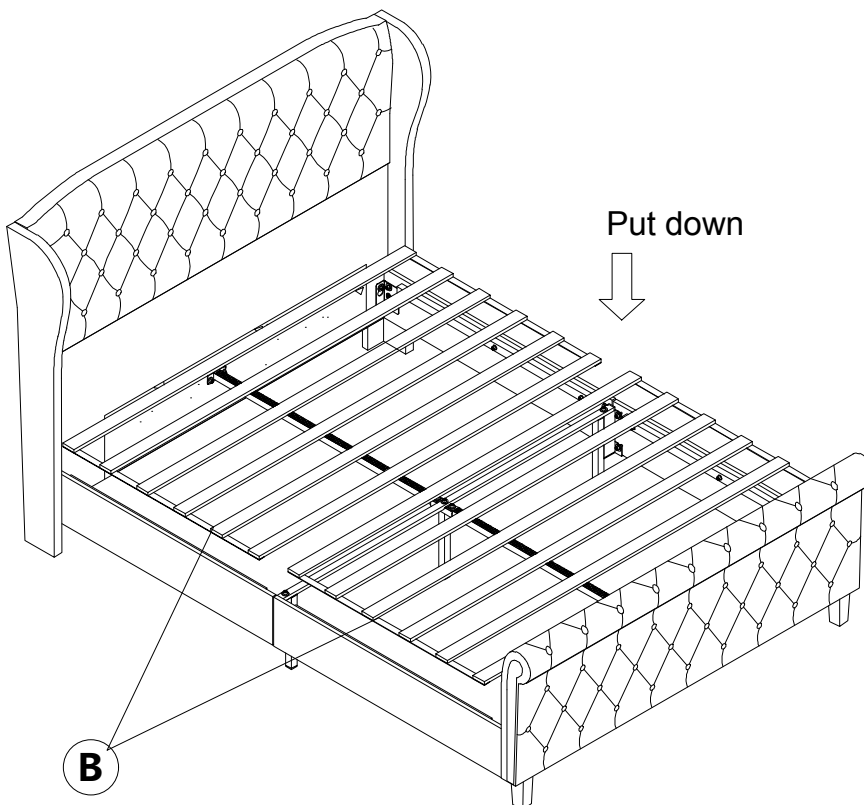
 P x 1pc

STEP 11

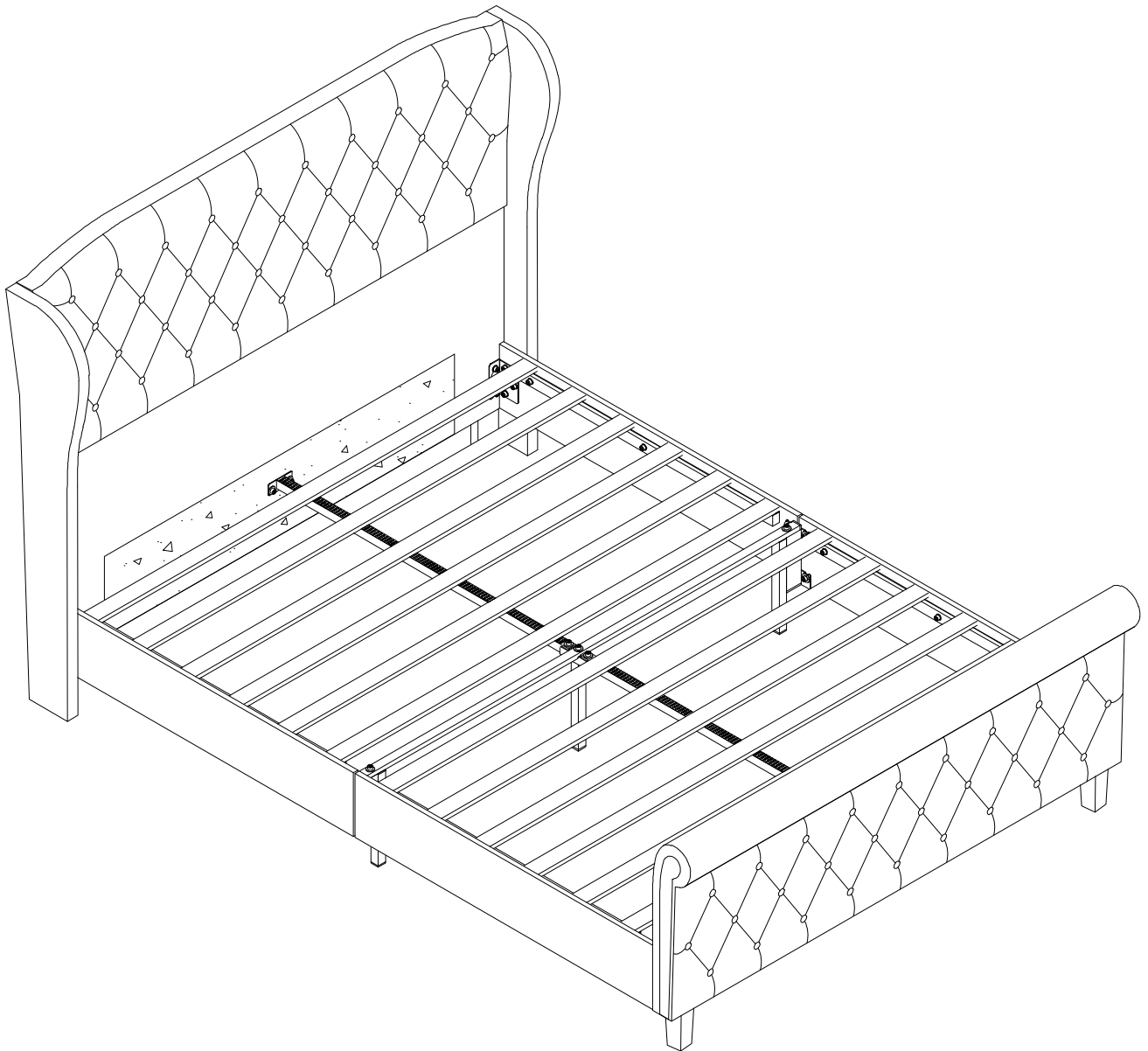


 M8 X40mm	N x 12pcs
	P x 1pc

STEP 12



STEP 13



Installation Complete