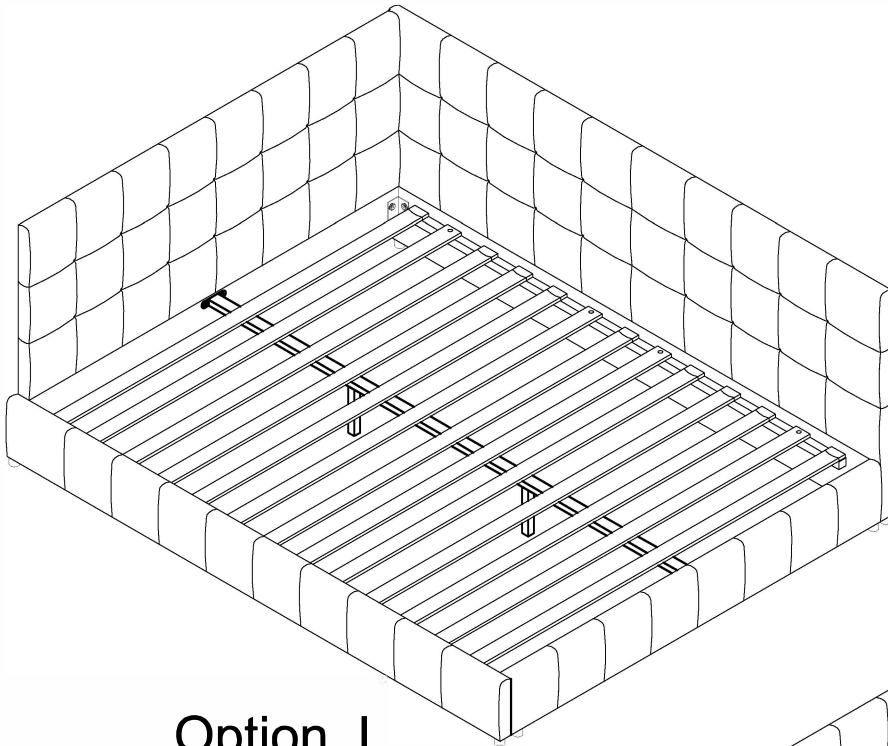
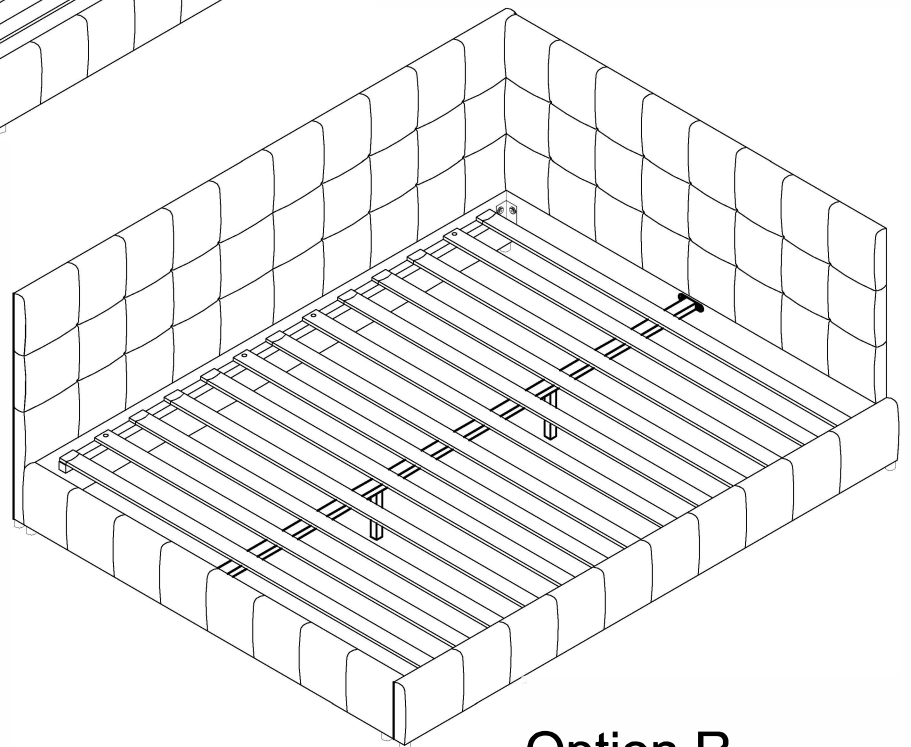


ASSEMBLY INSTRUCTIONS



Option L



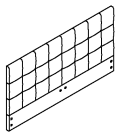
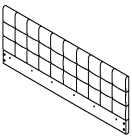
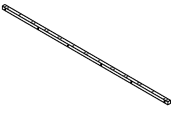
Option R

Set up the bed according to the needs of the room to choose the direction. Option L & Option R

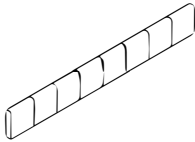
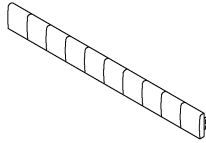
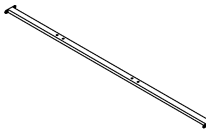

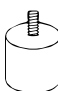
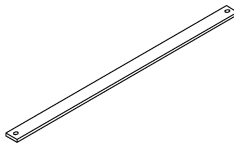
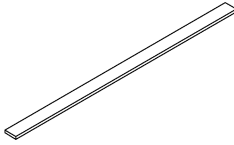
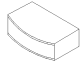

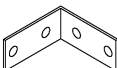
Install all screws according to the instructions, and then tighten them completely.

PACKING DETAILS:TOTAL 2 BOXES

BOX- 1/2

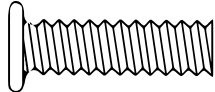

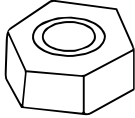
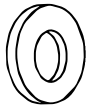

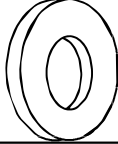



A	
PART	
	① Headboard 1PC
	③ Side rail -1 1PC
	④ SR Support Rail 1PC

BOX-2/2

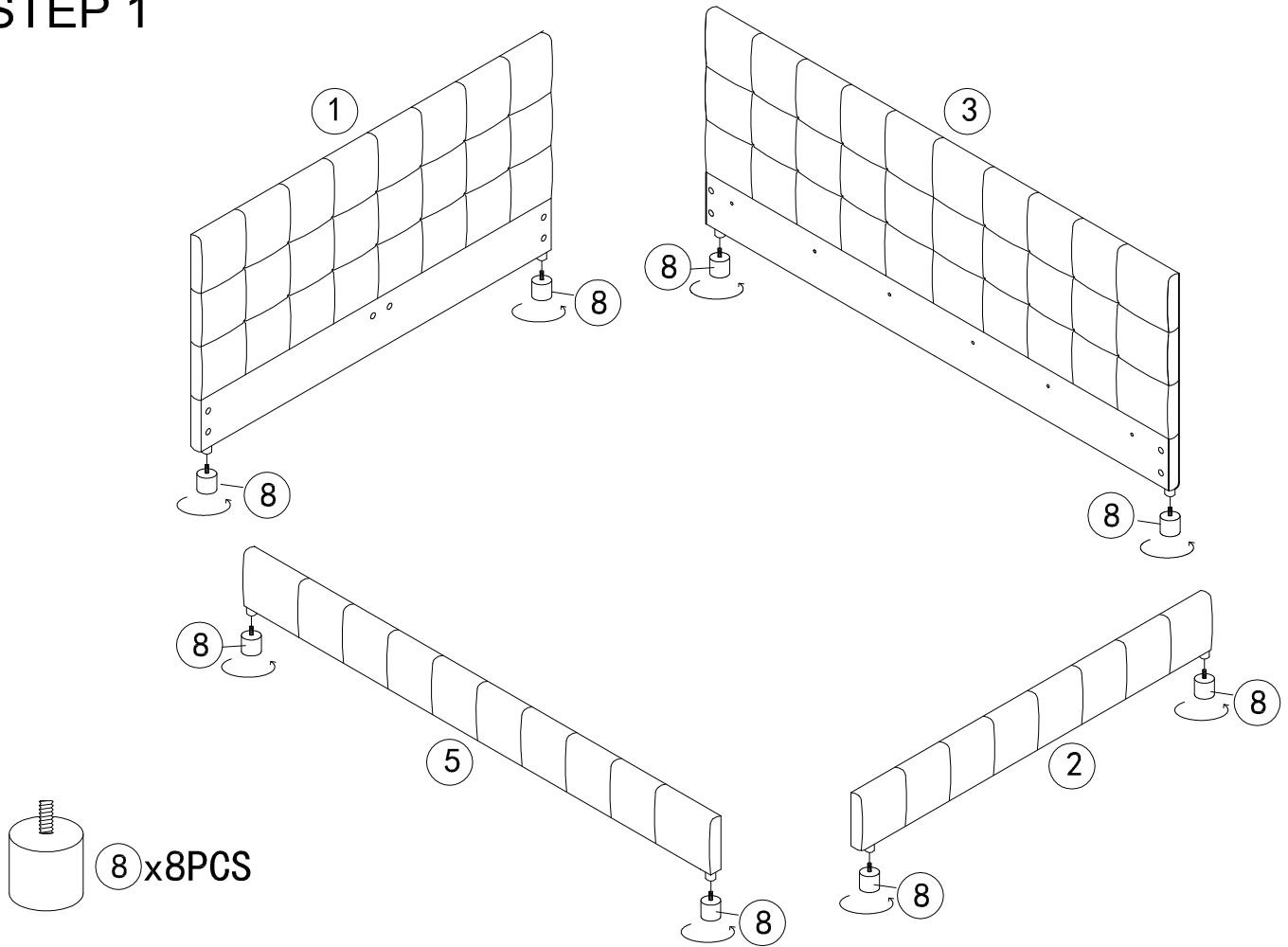
B	
PART	
	② Footboard 1PC
	⑤ Side rail-2 1PC
	⑥ Center support rail 1PC
	⑦ Support Leg 2PCS
	⑧ Leg 8PCS
	⑨ Slat 4PCS
	⑩ 9PCS
	⑪ Single Sided Plastic cap 18PCS
	⑫ 4PCS
	⑬ 1PC

PACKING DETAILS:TOTAL 2 BOXES

BOX-2/2

B	
PART	
	A m8*30mm 23PCS
	B m6*50mm 18PCS
	C m6 12PCS
	D m6*19mm 22PCS
	E m8 23PCS
	F m8*19mm 23PCS
	G m8 1PC
	H m6 1PC
	I m6 1PC

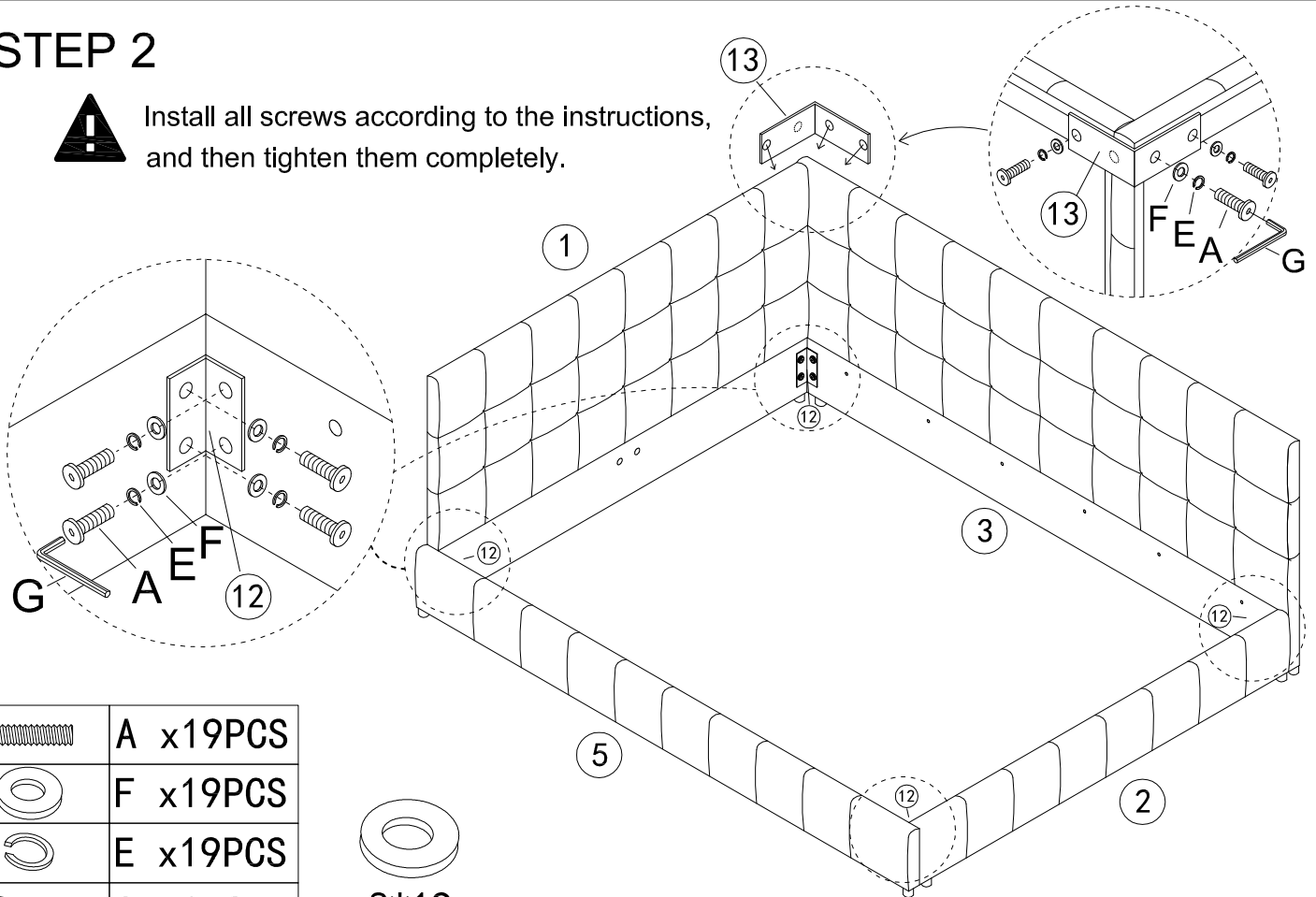
STEP 1







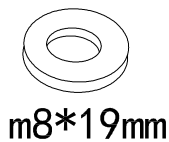
STEP 2



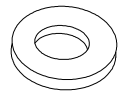
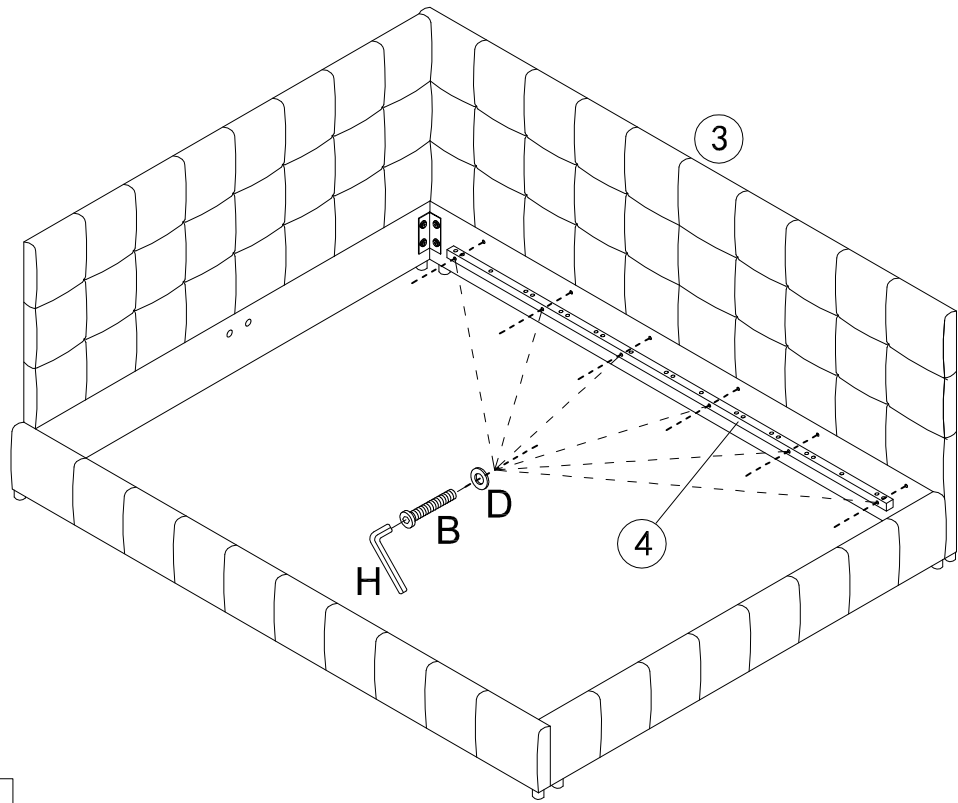
Install all screws according to the instructions, and then tighten them completely.



	A x19PCS
	F x19PCS
	E x19PCS
	G x1PC



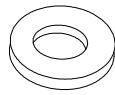
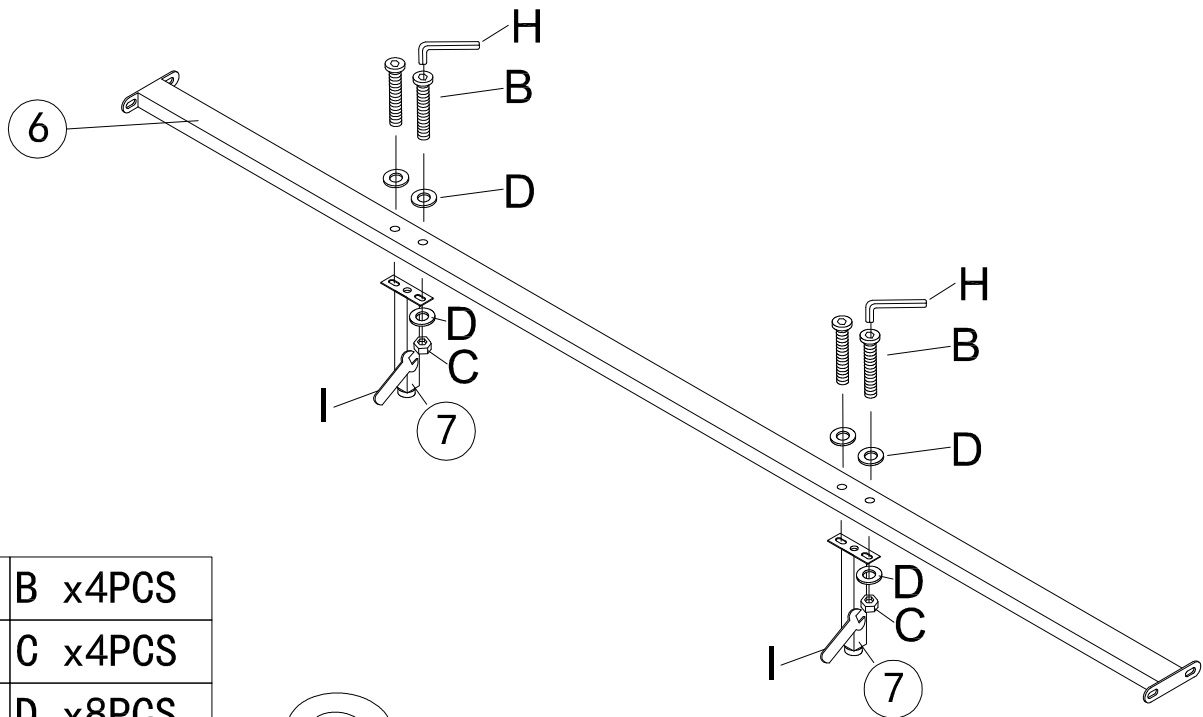
STEP 3



m6*19mm

	B x 6PCS
	D x 6PCS
	H x 1PC

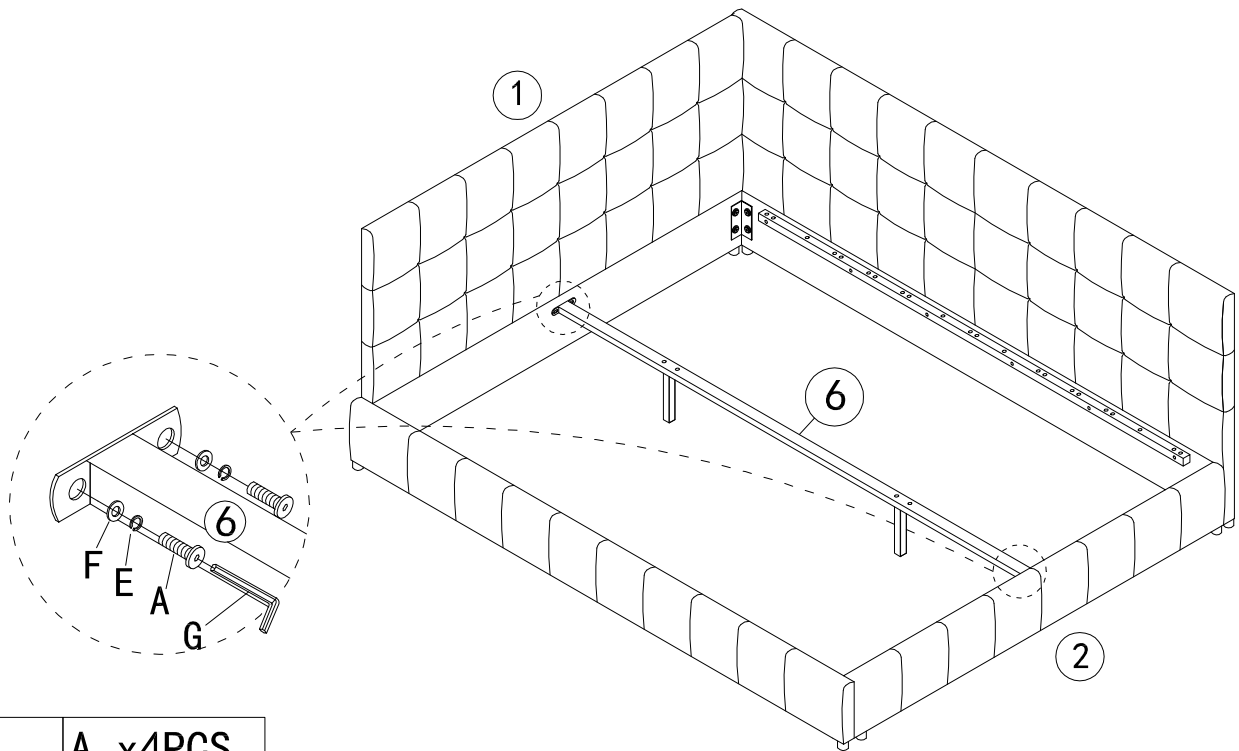
STEP 4







m6*19mm

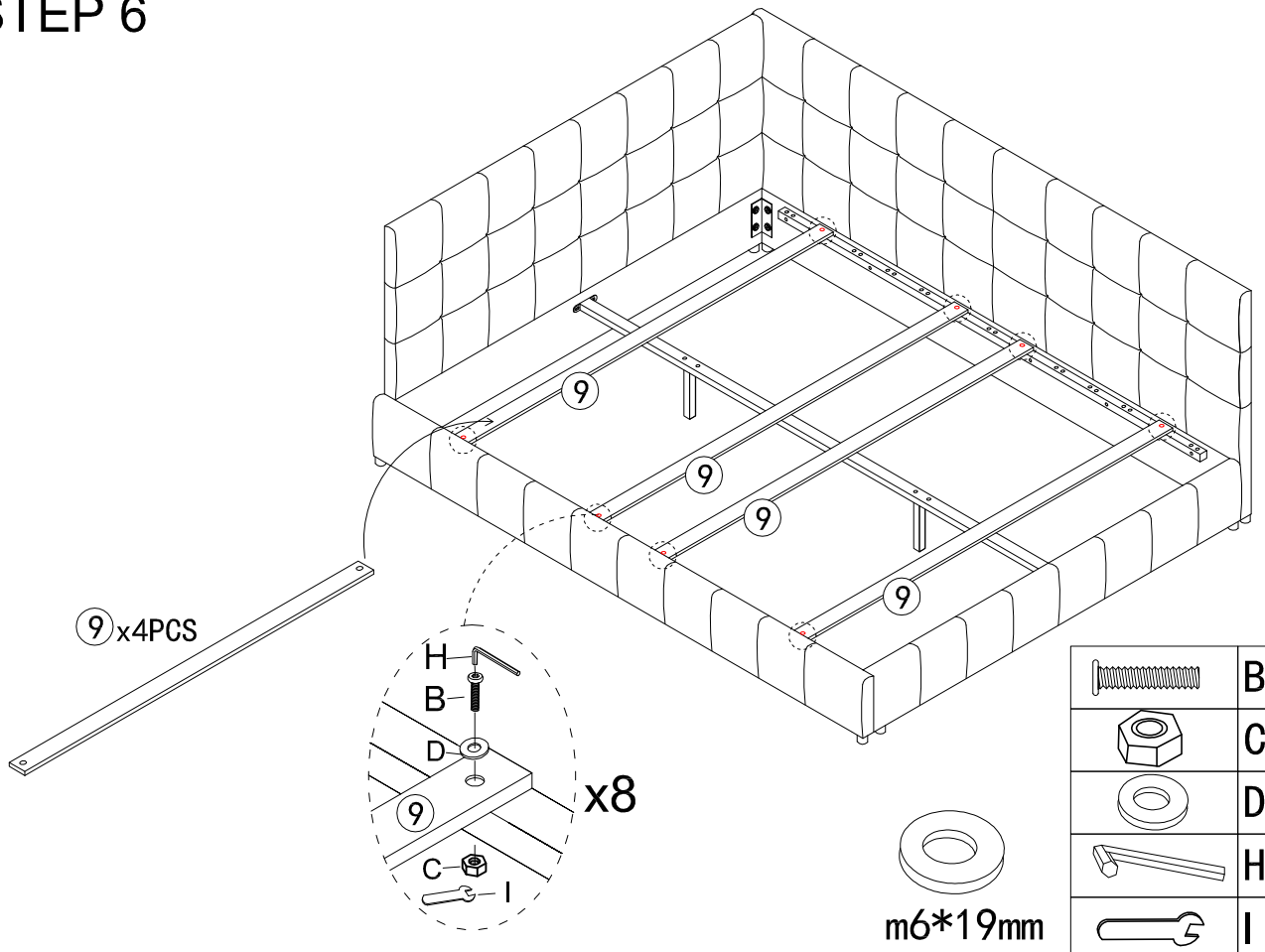
	B x 4PCS
	C x 4PCS
	D x 8PCS
	H x 1PC
	I x 1PC






STEP 5




	A x4PCS
	F x4PCS
	E x4PCS
	G x1PC

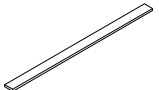

STEP 6

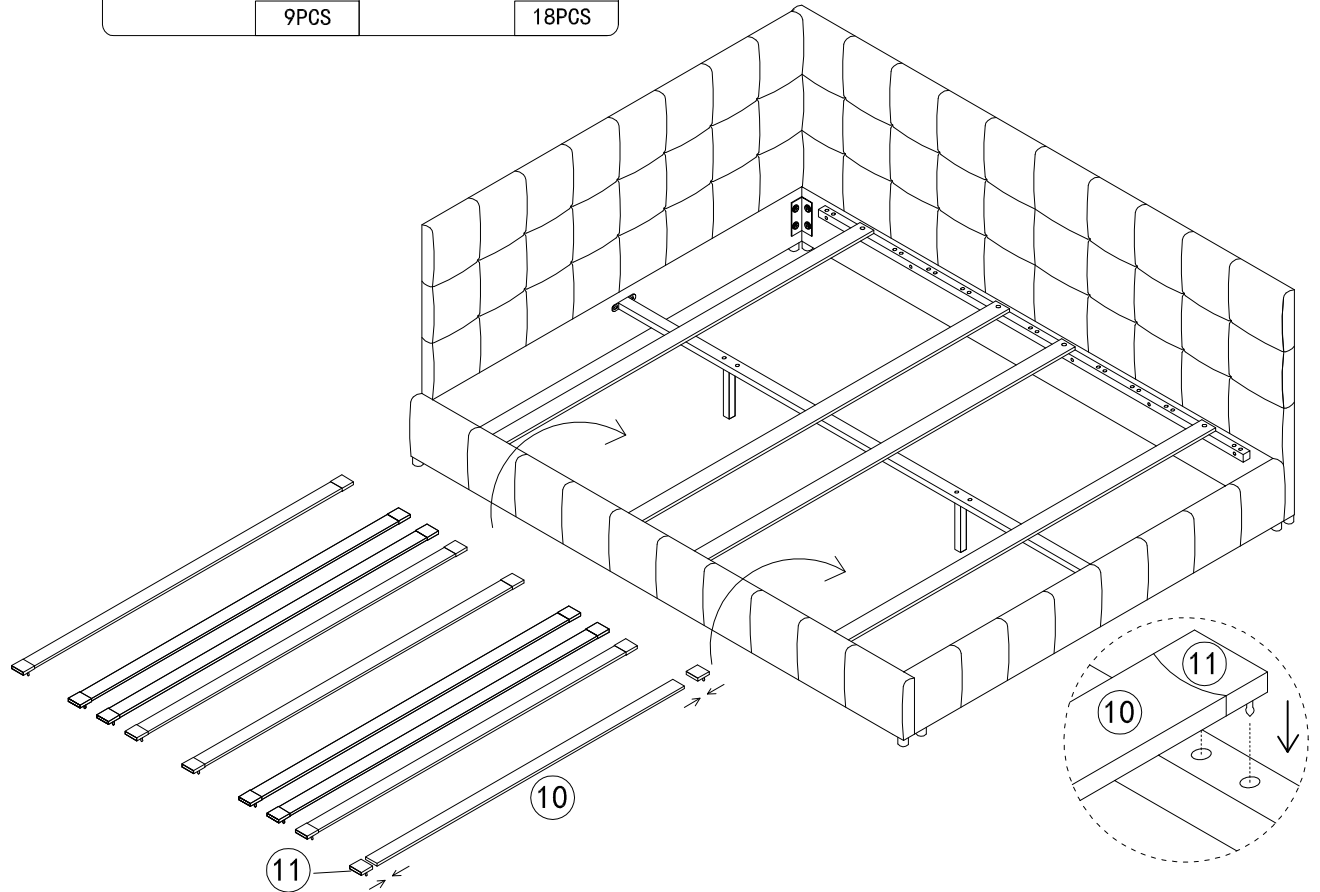


	B x8PCS
	C x8PCS
	D x8PCS
	H x1PC
	I x1PC

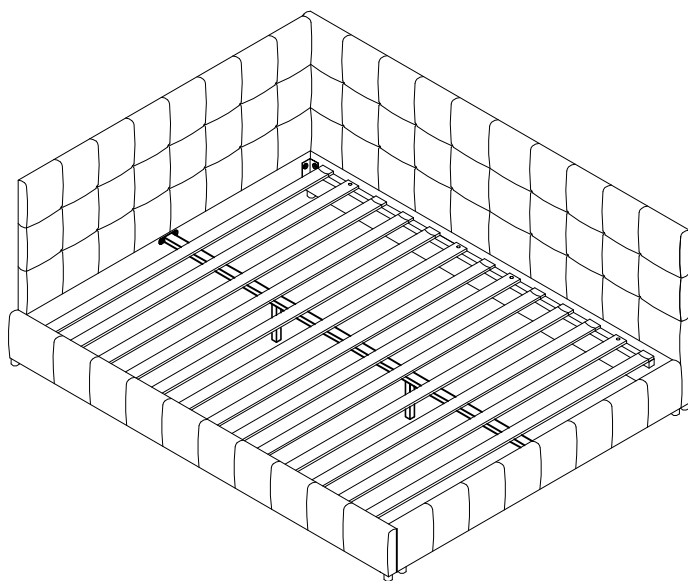

m6*19mm

STEP 7

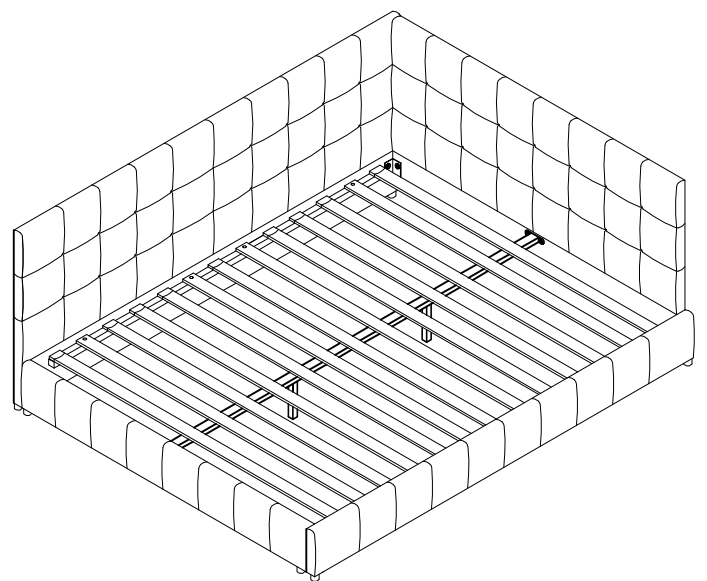
<p>⑩ Slat</p>  <p>9PCS</p>	<p>⑪ Single Sided Plastic cap</p>  <p>18PCS</p>
---	--



STEP 8



Option L



Option R