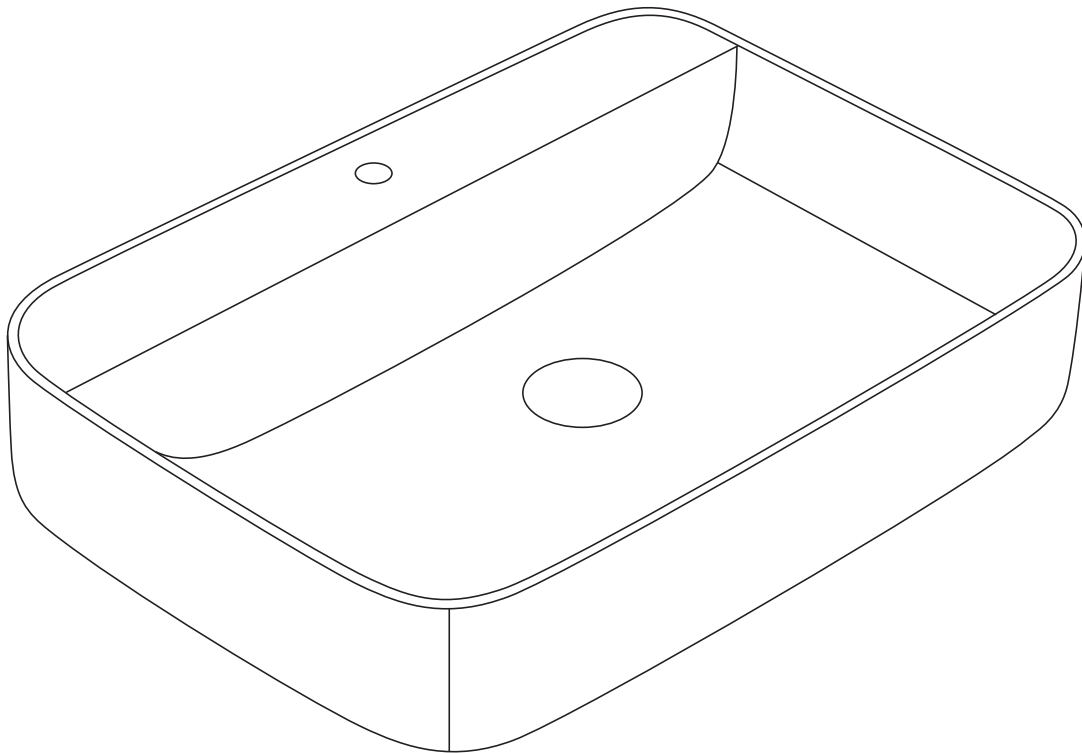


INSTALLATION INSTRUCTION

Vessel Bathroom Sink





Prior to Installation:

- Follow all applicable building and plumbing codes.
- As our basins are handcrafted with approximated dimensions, we recommend using the actual basin as a template for the cutout.
- Use 100% silicone (non-water-based) for all installations.
- Ensure there is sufficient space behind the basin for the faucet and backsplash, allowing full range of motion for faucet handles and spouts.
- Confirm a watertight seal on all drain connections.

- Do not place the basin directly on the floor. After unpacking, set it on protective material, such as the original packing materials.

Use only non-abrasive cleaners on sinks to maintain their finish.

General Recommendations:

- Carefully read all installation instructions before installing the vessel sink.
- Use the appropriate tools and always wear personal protective equipment to ensure your safety.

INSTALLATION INSTRUCTIONS

INSTRUCTIONS

(1) SUGGESTED TOOLS AND MATERIALS



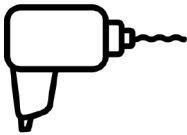
Safety Glasses



Pencil



Tape Measure



Drill



Level



Thread Sealant

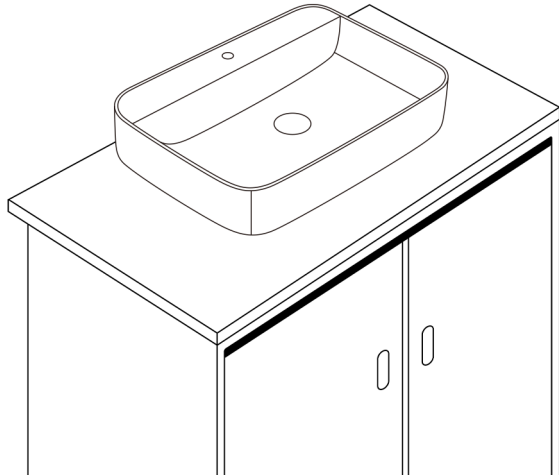
- Use a silicone caulk specifically designed for stone, marble, and granite surfaces to ensure a secure and durable seal.

Safety Precautions:

- To reduce the risk of injury or property damage, read and follow all installation instructions before installing this product. Wear safety goggles during installation.
- This product must be installed in accordance with all applicable state and local plumbing and building codes.
- If you are unsure about proper installation, consult a professional installer.

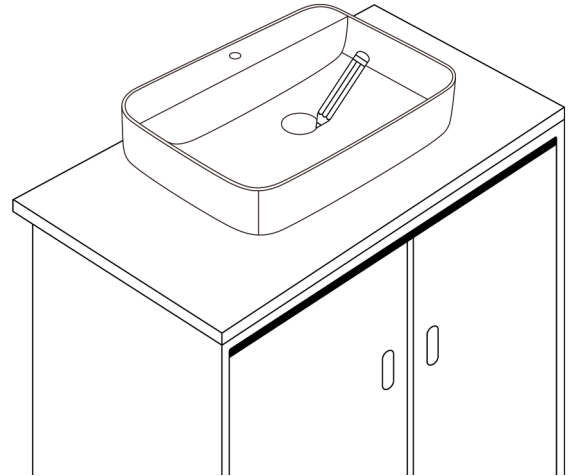
INSTALLATION INSTRUCTIONS

(2) INSTALLATION STEPS



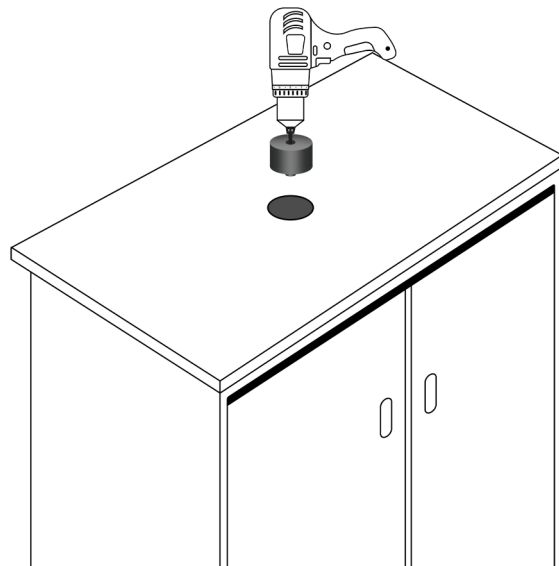
Step1:

Position the vessel sink on the installation countertop and verify that its size is appropriate. Ensure there is sufficient space behind the sink for faucet installation.



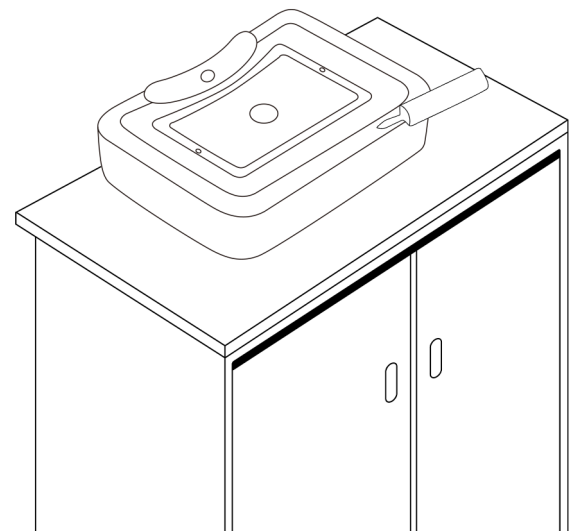
Step2:

Mark the drain hole location on the countertop with a pencil.



Step3:

Cut the countertop for the drain opening. The recommended size for the countertop drain opening is 1 3/4 inches to 2 inches.



Step4:

Turn the vessel sink upside down and apply silicone to the bottom edge.

WARRANTY EXCLUSIONS

Products are crafted with high-quality materials and excellent workmanship to ensure durability. If any defects in materials or workmanship are found within one year of delivery, We will, at no charge, either provide replacement parts or, at its discretion, replace the product or any part deemed defective under normal use, installation, service, and maintenance. This warranty is applicable only to the original purchaser, and proof of purchase is required for any claim. Please note: Scratches are not covered under this warranty.

The manufacturer guarantees this product to be free from manufacturing defects during the warranty period. Please retain a copy of the original invoice as proof of purchase.

AT OUR DISCRETION, THE FOLLOWING OPTIONS MAY APPLY FOR A CLAIM:

1. Repair or replace the defective part(s) or product(s) at I charge.
2. Issue a refund of the original purchase price of the product (s) (valid within 30 days of delivery).
3. Provide a credit toward the purchase of a new product (shipping/delivery charges may apply at our discretion).

INSTALLATION AND MAINTENANCE RESPONSIBILITIES

- We recommends installation by a licensed professional plumber. It is not liable for damage or product failure due to improper installation, misuse, or failure to use a licensed professional. We does not cover removal or installation costs.

This warranty does not cover damage or defects resulting from:

- Accident, negligence, improper installation, abuse, misuse, or the use of cleaners with abrasives, alcohol, or other organic solvents.
- Any failure or damage that could have been discovered, repaired, or avoided by proper inspection prior to installation.

Our responsibility under this warranty is limited to replacement parts only. We are not liable for labor charges or for damages, losses, or costs related to installation, repair, or replacement. This limited warranty is in lieu of all other warranties, conditions, or guarantees, whether express or implied including any implied warranties of merchantability or fitness for a particular purpose, except as provided by law.

CUSTOMER RESPONSIBILITIES

- Inspect the unit prior to installation. The installer or contractor is responsible for ensuring the unit is free from defects or damage. If a defect is found, do not install the unit.
- In the case of transit damage, the user or installer must inspect the unit upon delivery, report any issues immediately to the seller and carrier, and request an inspection. Any freight claims should be filed promptly.

LIMITATIONS AND EXCLUSIONS

This warranty does not cover:

- Znegligence, misuse, abuse, improper installation, carelessness, accidents, hard water or mineral deposits, exposure to corrosive materials, improper maintenance, or product alterations.
- Any repair or alteration of the product by parties other than our agents
- Plumbing or components installed by dealers, installers, or any party other than us We are not liable for any loss of use, inconvenience, incidental, or consequential damages. Note that some states do not allow the exclusion or limitation of incidental damages.

DISCLAIMER

No dealer or individual is authorized to make any warranties or representations regarding our products. IWe are not responsible for any unauthorized warranties or representations.

WARRANTY SERVICE

To request warranty service, please provide:

- A copy of the original invoice
- Date of installation
- Description and photos of the defect
- Model number or product description