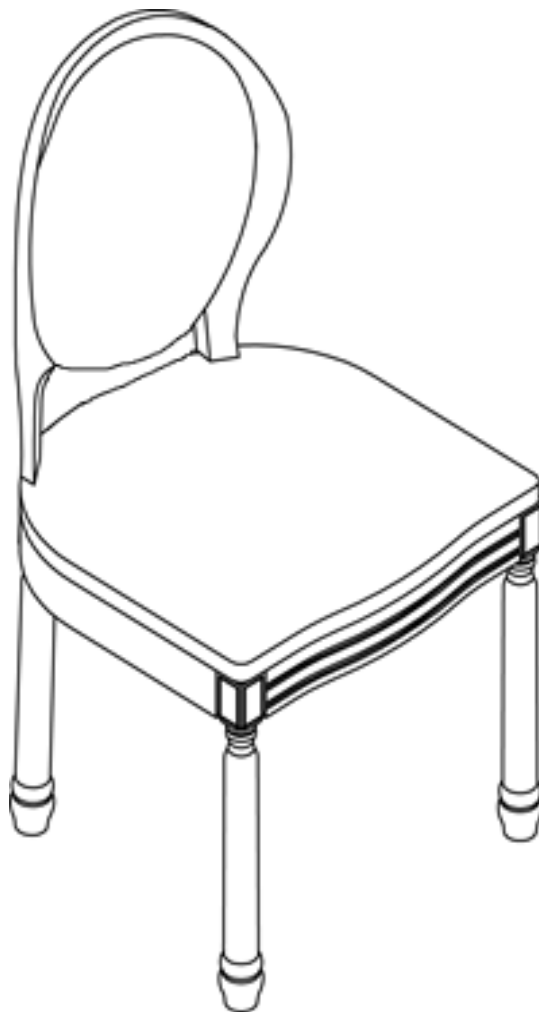


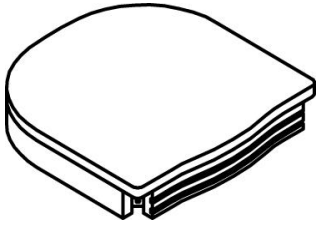
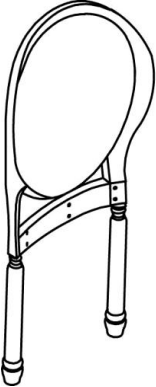
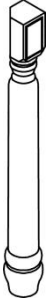
Assembly Instructions

Caution : You must read this before you proceed





Chair



Parts List

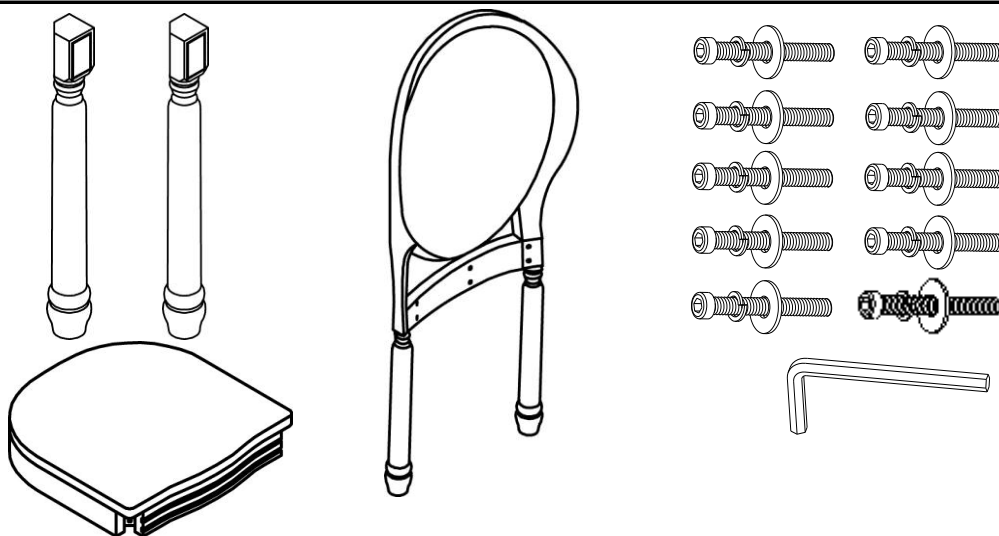
Label	Picture	Description	QTY
A		Seat	1
B		Back with Legs	1
C		Front Legs	2

Hardware

Label	Picture	Description	QTY
①		Bolt (M8*60MM)	10
②		Spring Washer	10
③		Washer	10
④		Allen Key	1

Assembly Preparation

Before Beginning Assembly:



- Read instructions, cover to cover-



- Have 2 adults on hand for assembly-



- Do not assemble on flooring or carpet-



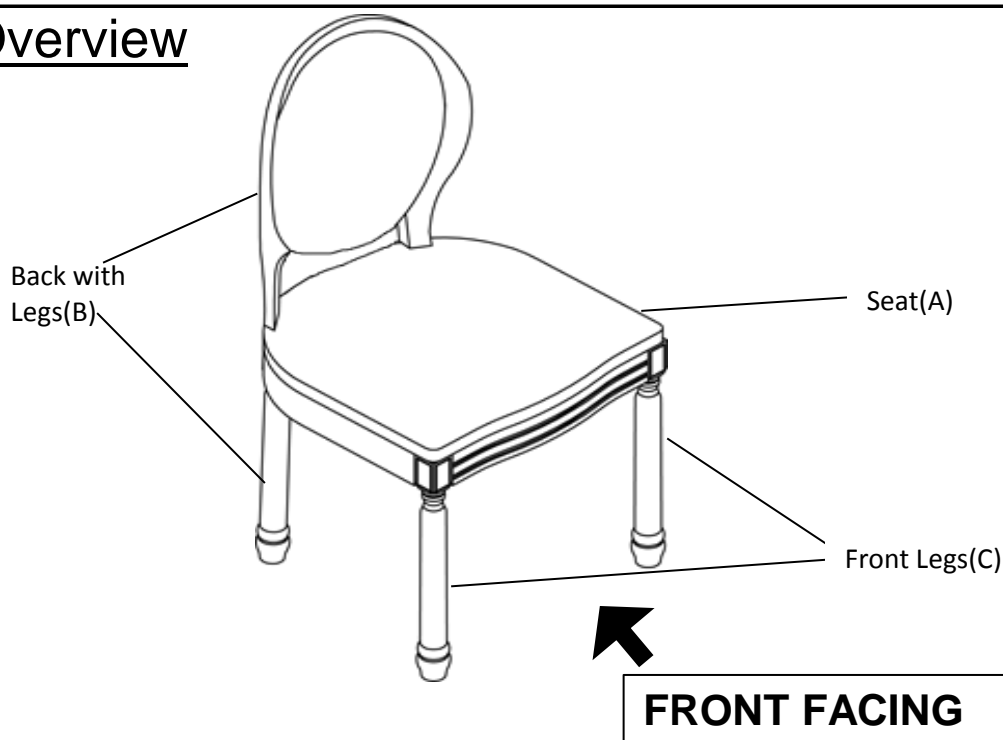
- Assemble on a clean non-marring surface (packing foam)-



- Save all packaging until finished-

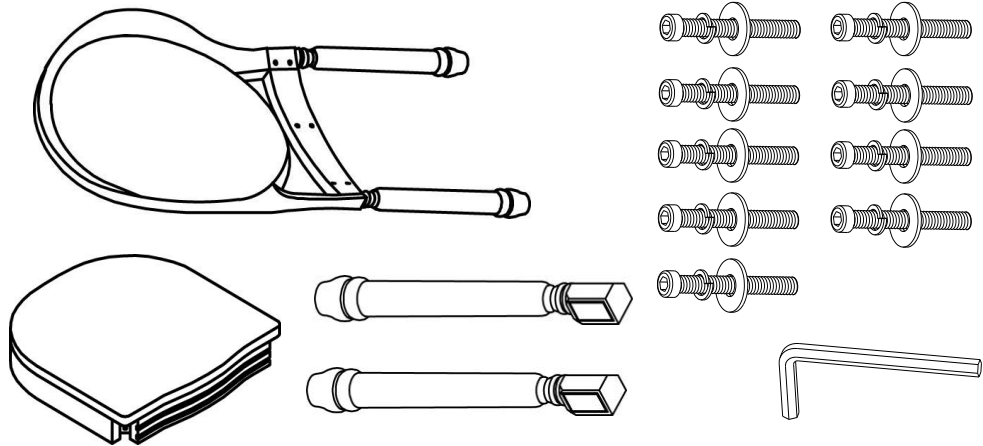
Assembly Steps

Overview



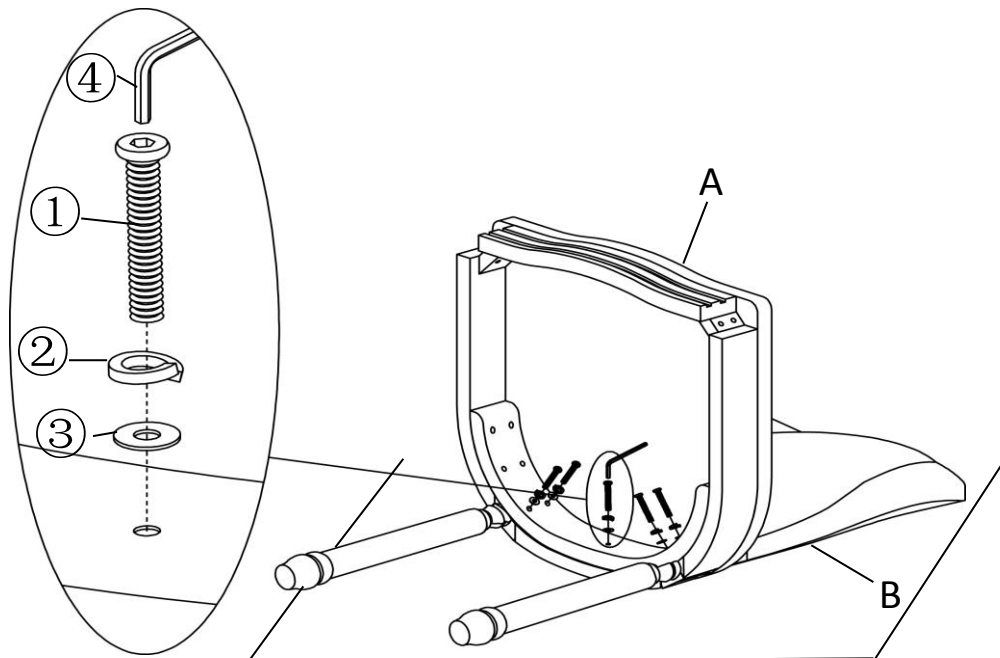
This Chair has multiple parts and may require up to 30 minutes to assemble. To give you an overview of the Chair parts, the above picture is to help you put the various parts into perspective. Please read through the instructions below to familiarise yourself with the parts and steps before assembly.

Step 1



Unpack and place all parts on a clean, non-marring surface.

Step 2



Place the Back with Legs(B) on a clean, non-marring surface. Align the mounting positions on the Seat(A) to the mountings on the Back with Legs(B).

Lock the middle mounting position first, by using Bolts(①), Spring Washers(②) and Washers(③) with Allen Key(④).

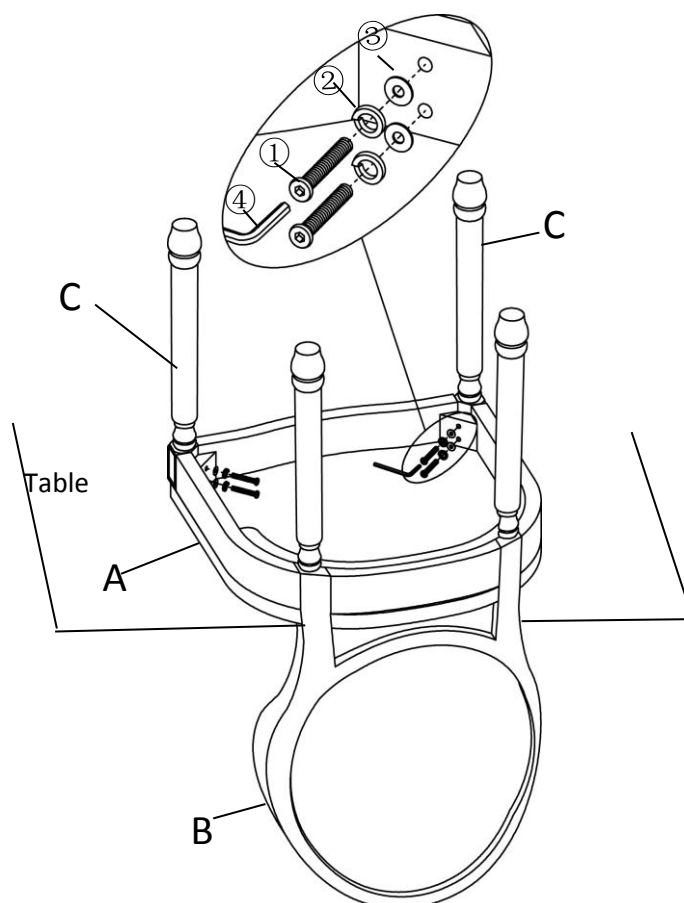
Then lock the corner four mounting positions and attach them using Bolts(①), Spring Washers(②) and Washers(③) with Allen Key(④), as shown on the picture above.

Friendly notice:

If the mounting positions cannot be aligned well which hinders the installation, then sway the Seat(A) lightly when locking the Bolts, this action could help avoid the Bolts getting stuck and ensure assemble smoothly.

Do not fully tighten the Bolts.

Step 3

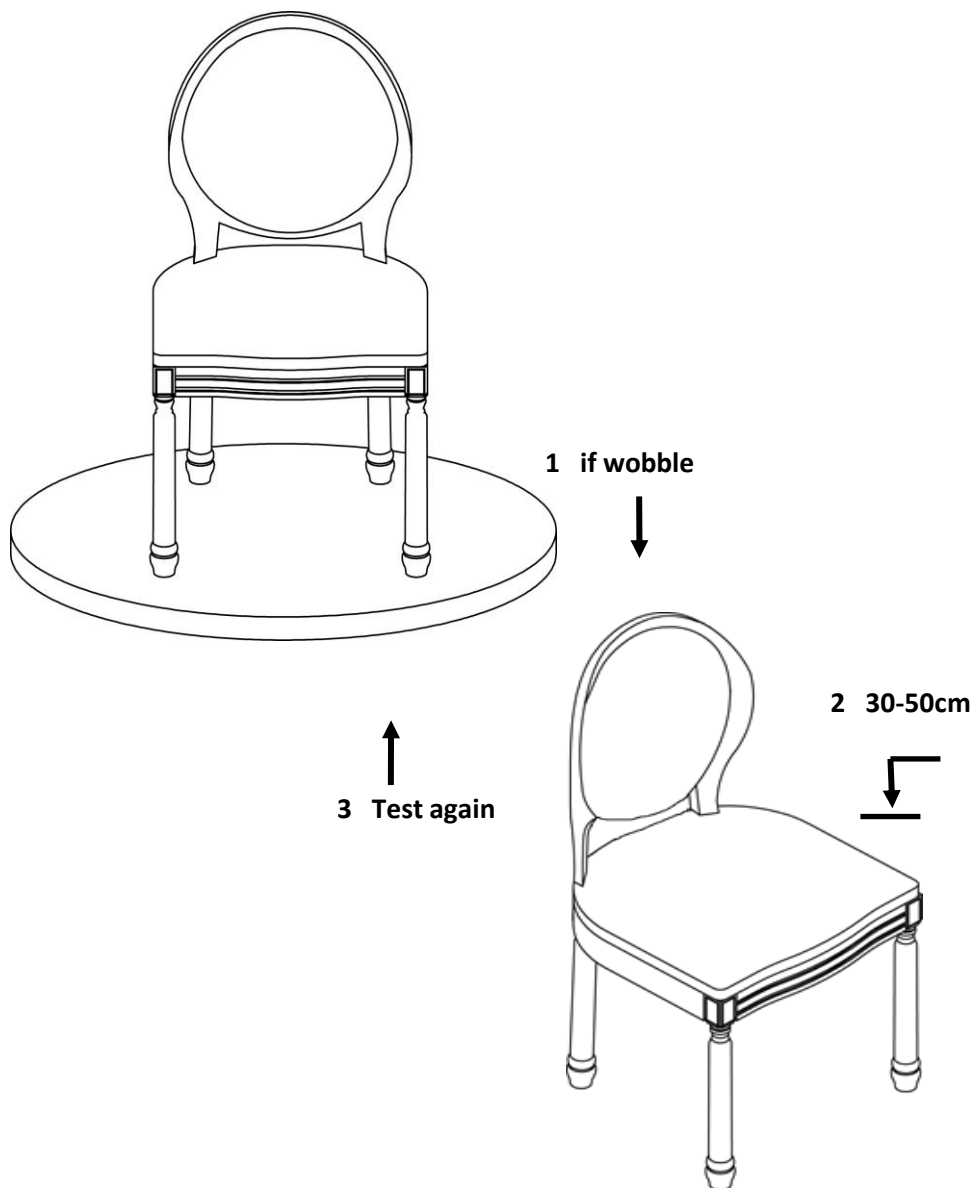


Place the Pack of Seat(A) and Back with legs(B) on the side of a table with the Seat(A) facing down, as seen in the picture. Insert Front Leg(C) into the mounting position of Seat(A) and attach using Bolts(①), Spring Washers(②) and Washers(③) with Allen Key(④).

Do not fully tighten the Bolts.

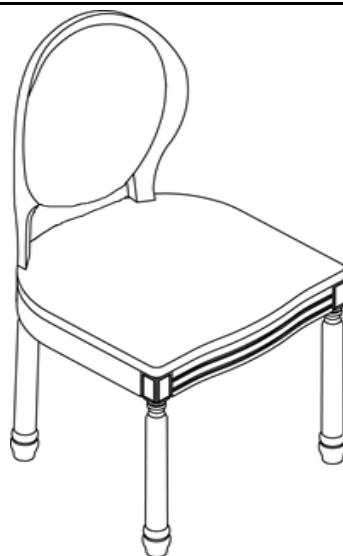
Repeat the same process to attach the remaining one Leg. Attach each leg using 2 Bolts.

Step 4












Ensure that all the Bolts are fully driven in and locked in.
Turn this Chair right way up and ensure this Chair is stable.
Place the Chair on a level Surface to check if it wobbles.
If it is wobbles, lift the Chair some 30cm to 50 cm high from the ground.
Keep your feet and toes well away from the drop zone.
Drop chair freely and vertically, with the four legs hitting the ground at the same time.
This **Drop Test** will help to ensure that all the Bolts and gaps to all reach full alignment status.
Test again for evenness on a **Level Surface**.
If no wobbles are found, proceed to tighten all the Bolts.
Caution: When tightening the Bolts, tighten sequentially. Do not fully tighten any screw fully and then towards the next one.
This may cause the frame to warp.
If there is still wobbles, loosen the bolts and execute this same drop test.
WARNING !! DO NOT FULLY TIGHTEN . FULLY TIGHTENING COULD LEAD TO DAMAGE OF THE PRODUCT. TIGHTEN ONLY UNTIL SECURE AND STABLE.

Step 5



Stand the Chair up.
Your Chair is ready for use.
This Chair can only be used on a flat, level surface.

Care & Maintenance

-  ● Do not put hot items directly on furniture surface
-  ● Do not clean furniture with harsh cleansers or polish.
-  ● Do not place furniture under direct sunlight.
-  ● Do not place furniture near heating or cooling vents.
● Do not write on furniture without a padded barrier to protect the surface.
-  ● Do not place furniture outside . For indoor use only .
-  ● Not for commercial use . For residential use only .
-  ● Stains may be removed with mild soap solution and damp cloth.
-  ● Children should not climb or jump on the furniture.
-  ● Dust and pick-up spills using a clean, non-colored, lint-free cloth .