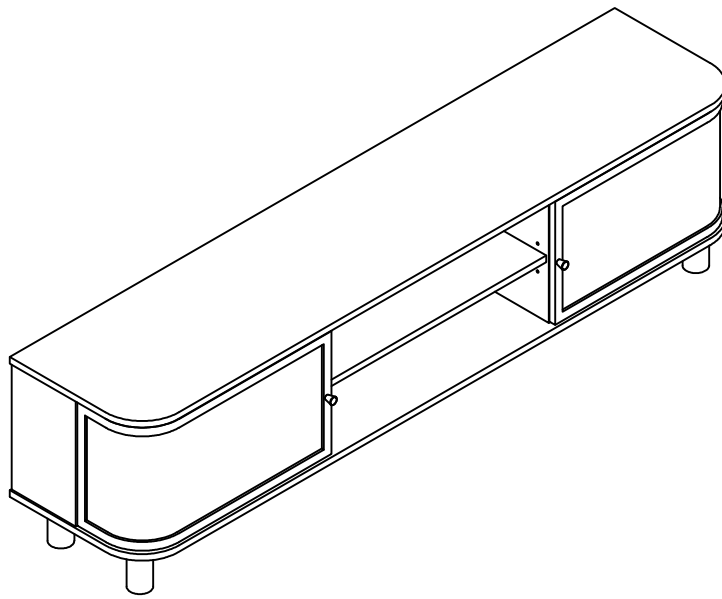


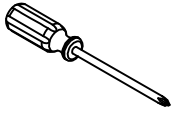
# Installation Instruction



# Assembling

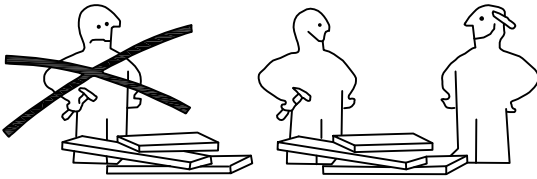
## What you need

- Use the packaging carton as a working surface to prevent product damage during assembly
- Phillips head screwdriver



## Weight Limitation


**100** | **35**  
 lbs table top      lbs per

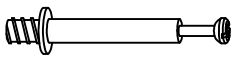


# What' included

Code	Description	Qty
A	Cam Bolt M6X35MM	14
B	Cam Lock 15X10MM	14
C	Wooden Dowel M8X30MM	12
D	Screw M4X40MM	14
E	Screw M3.5X14MM	26
F	Four hole iron sheet	6
G	Nylon Strap	2
H	Screw M3.0X14MM	32
I	Shelf Holder	4
J	Plastic Angle code	8
K	Anchor	2
L	MATS	4
M	Hole position sticker	14
N	Ron absorption	2
O	Adjustable foot	2
P	Hinge	4
Q	Metal handle	2
R	Oval handle	2
S	Cam Bolt M4X22MM	2

# The Hardwares

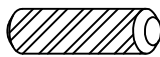
A



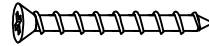
B



C



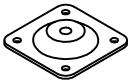
D



E



F



G



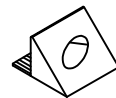
H



I



J



K



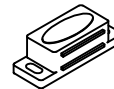
L



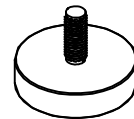
M



N



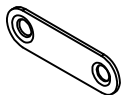
O



P



Q



R



S



## IMPORTANT:

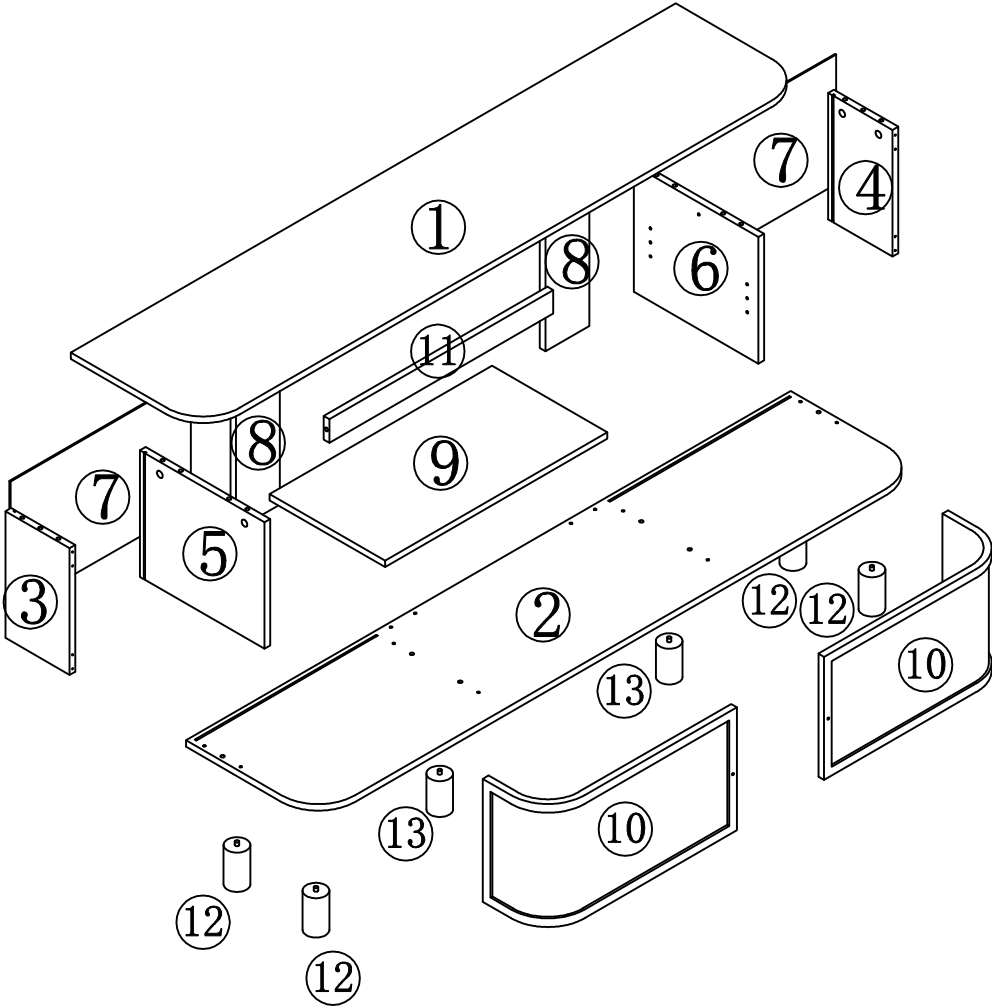
1. Do not tighten bolts / screws completely until all bolts / screws are lined up and inserted into holes.
2. Do not over tighten screws and bolts to avoid stripping
3. Please use hand tools to assemble this product, you can also use power tools (please use power tools carefully).

# Included Accessories

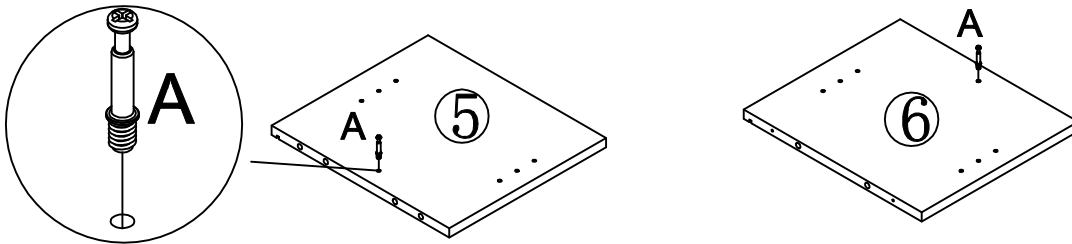
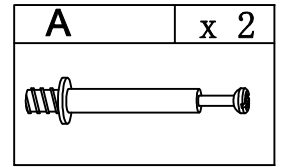
---

Code	Description	Qty
1	Cabinet Top	1
2	Bottom Panel	1
3	Left Side Panel	1
4	Right Side Panel	1
5	Left median septum plate	1
6	Right median septum plate	1
7	Left and right Back plate	2
8	Back plate	2
9	The move Layer board	1
10	the door	2
11	Guide plate	1
12	Solid wood feet	4
13	Adjustable foot	2

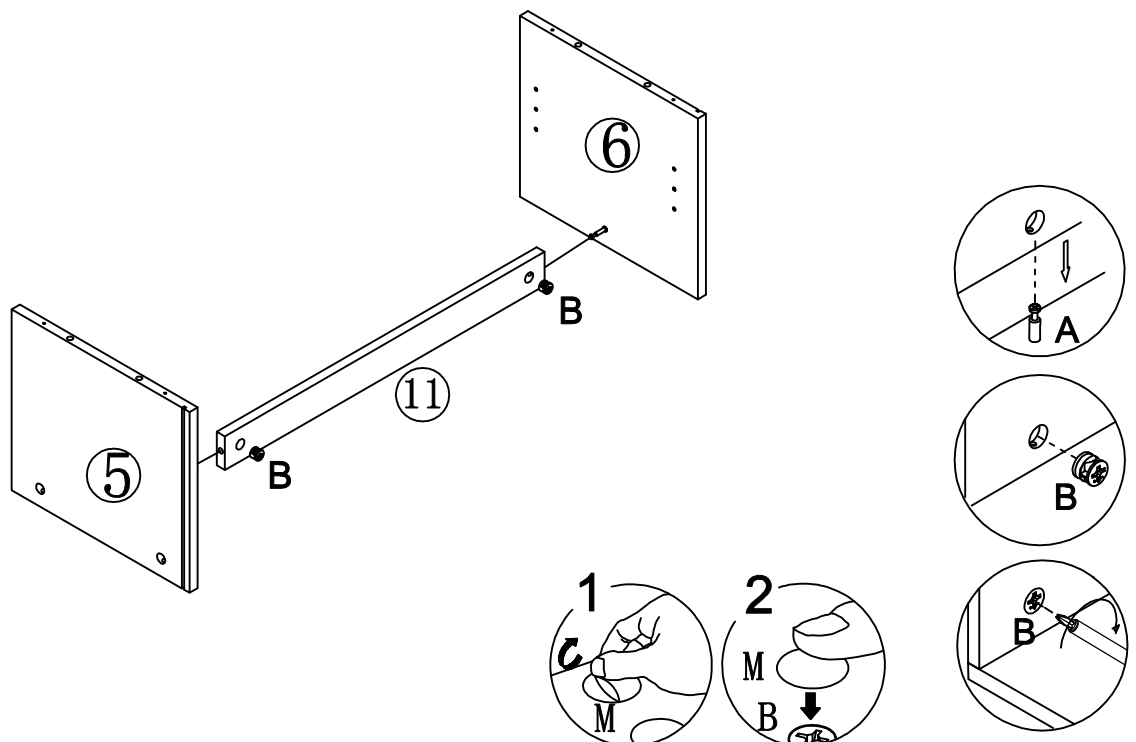
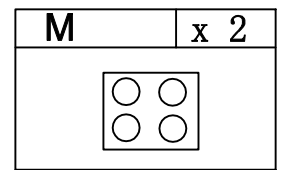
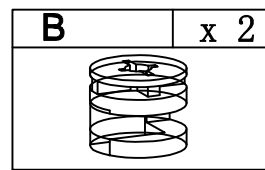
# The Accessoriess



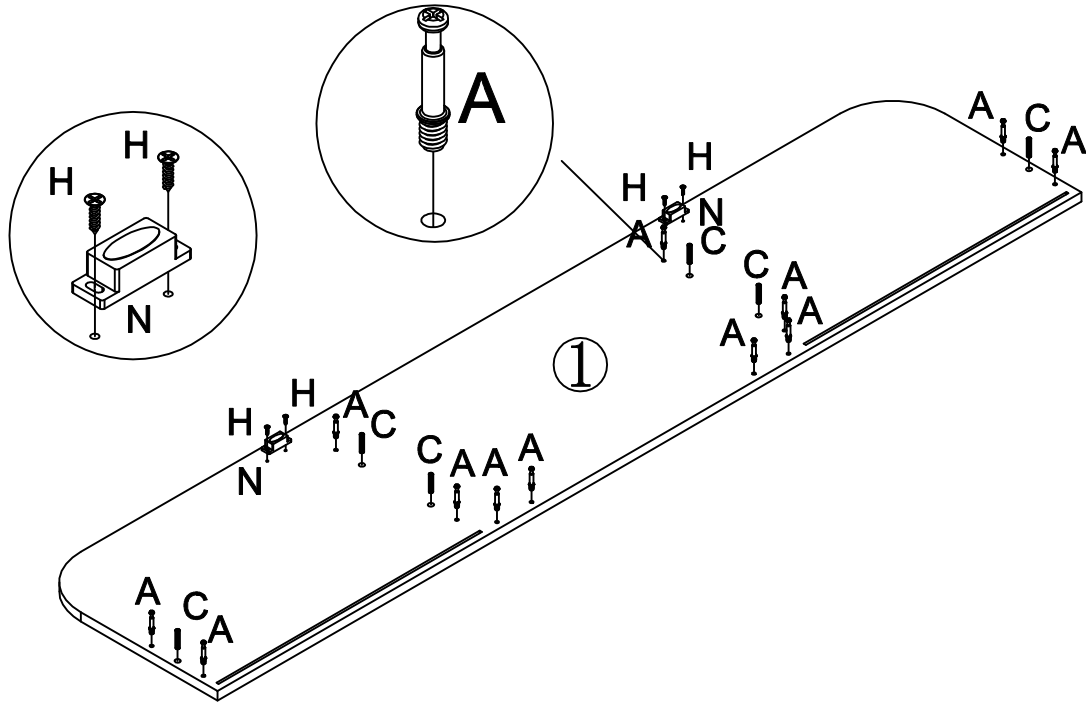
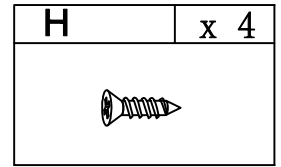
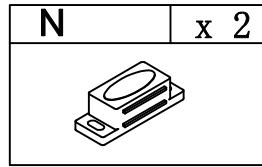
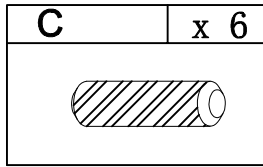
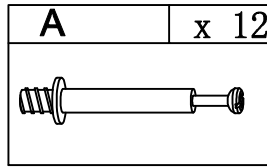
# Step 1



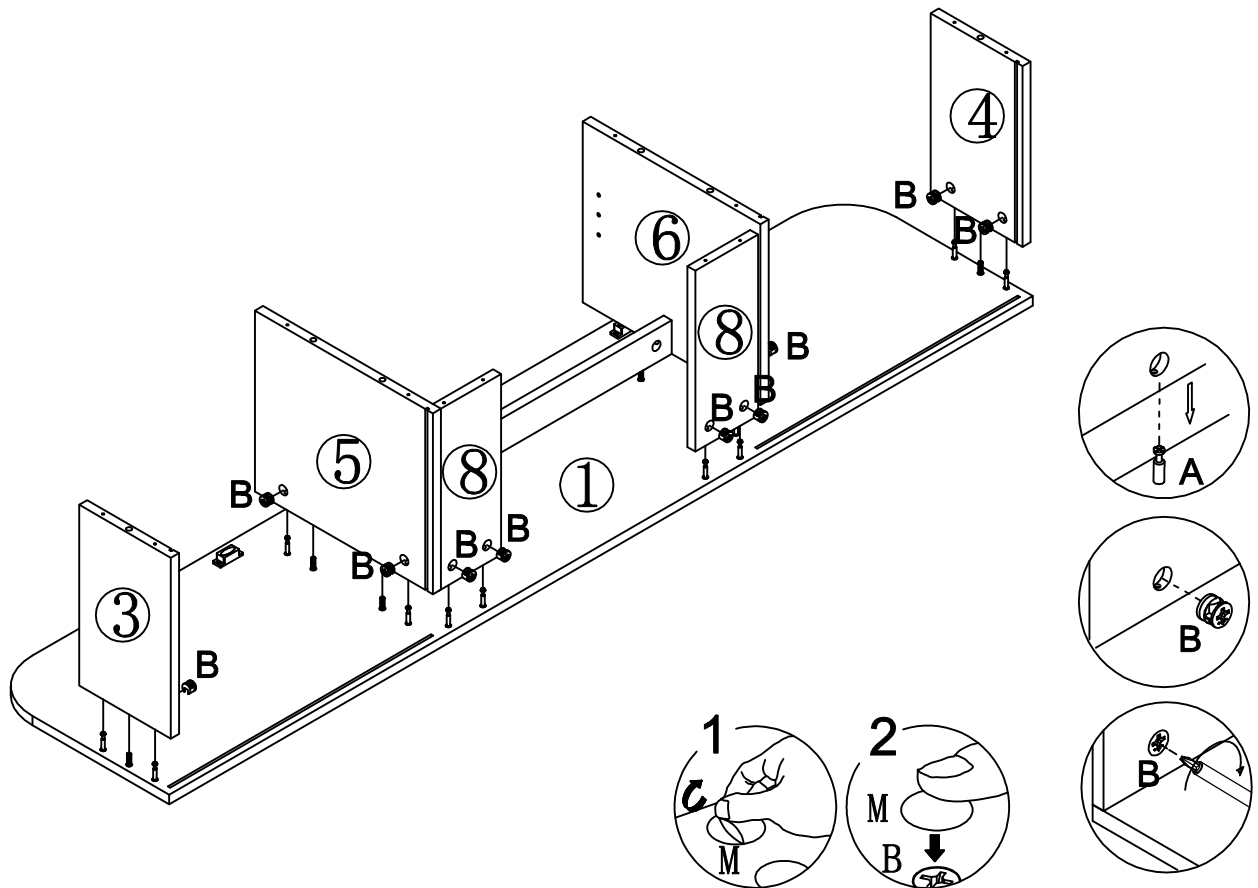
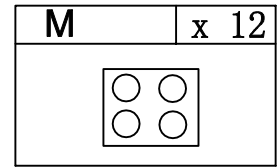
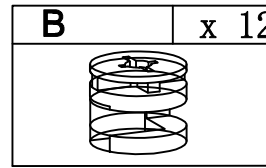
# Step 2



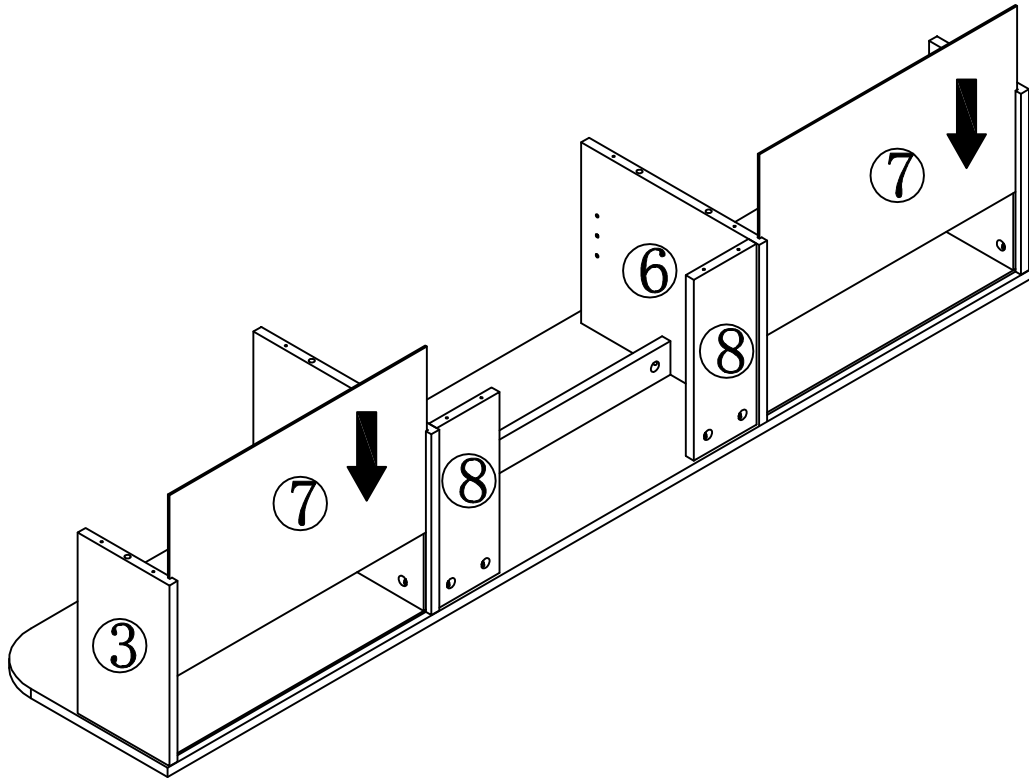
# Step 3



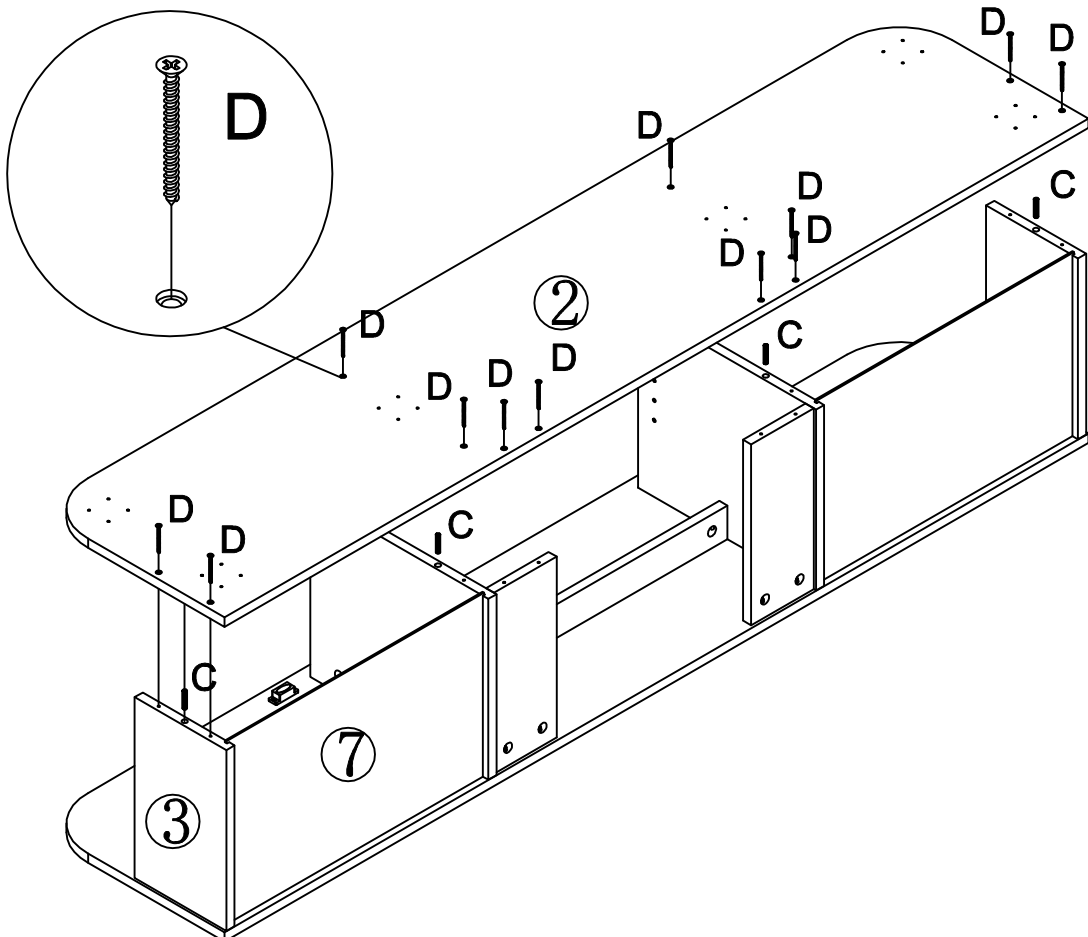
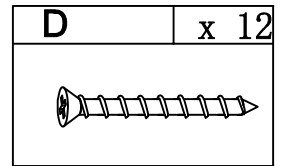
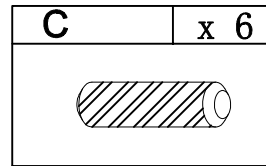
# Step 4



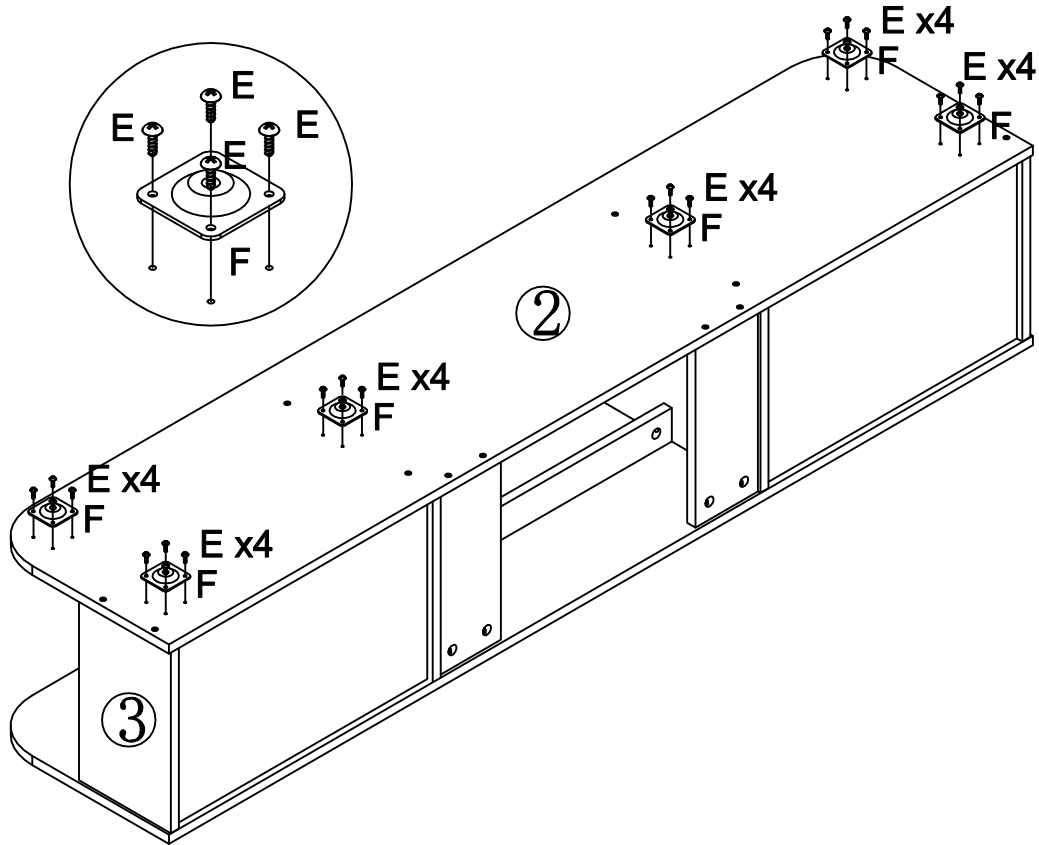
# Step 5

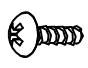
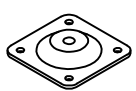


# Step 6

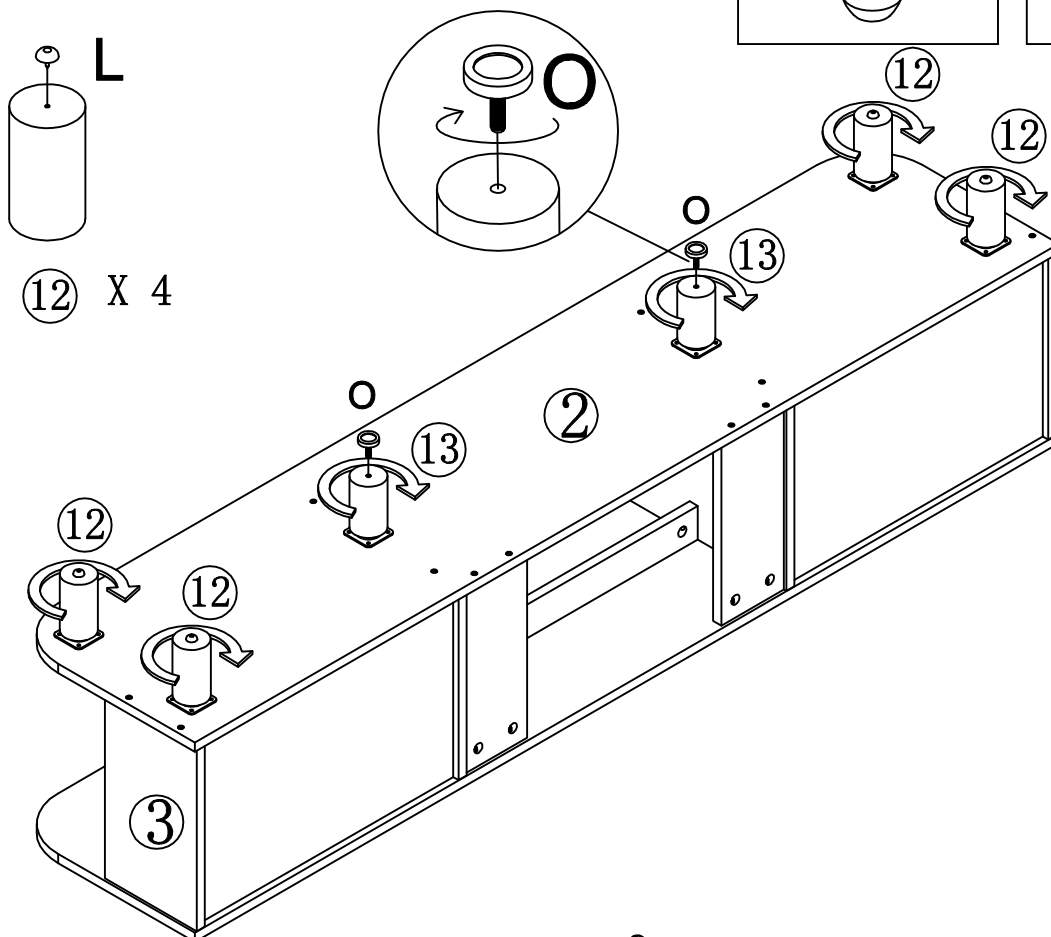



# Step 7




E	x 24
	
F	x 4
	

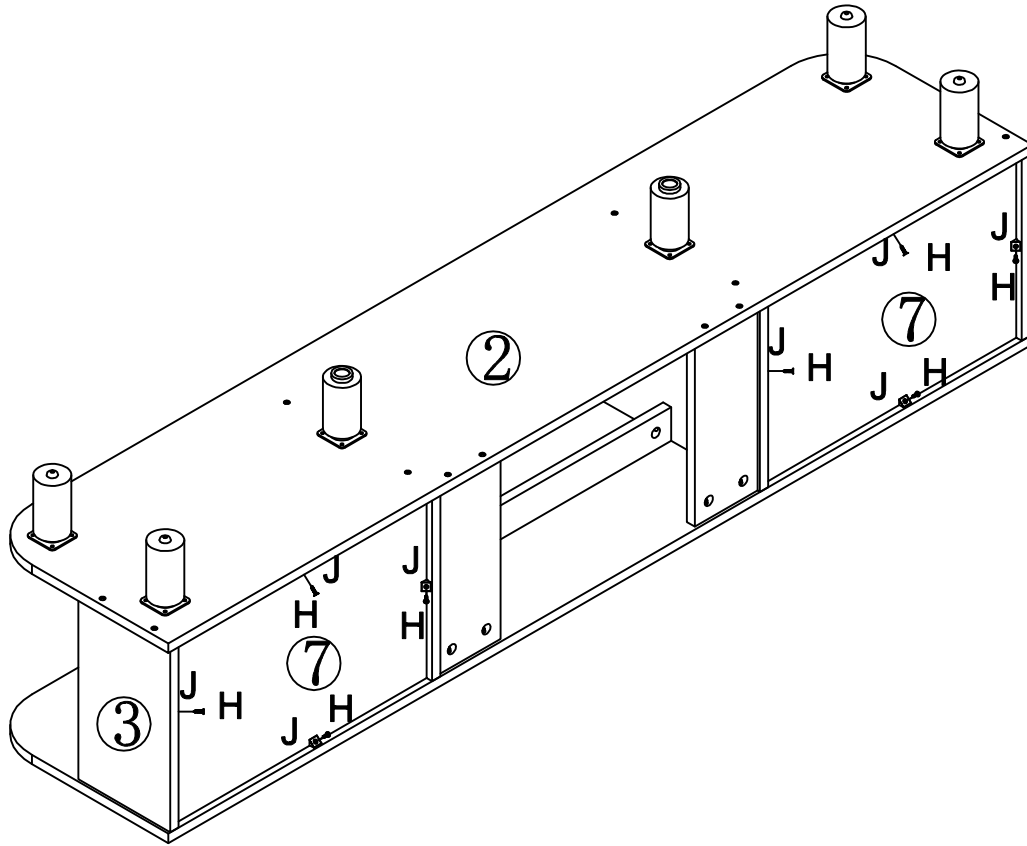
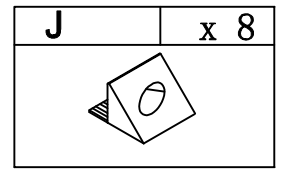
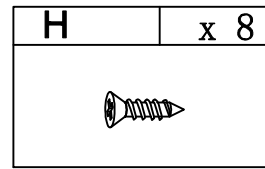
# Step 8



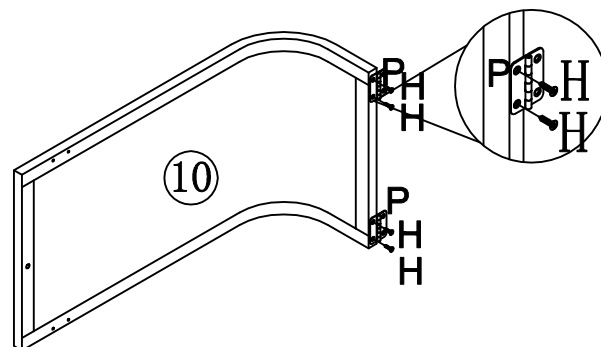
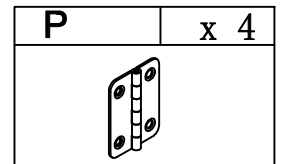
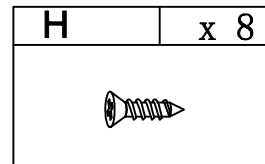
L	x 4
	

O	x 2
	

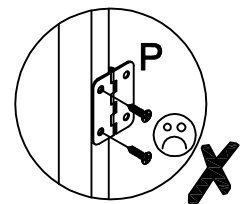
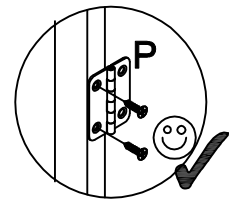
# Step 9




# Step 10

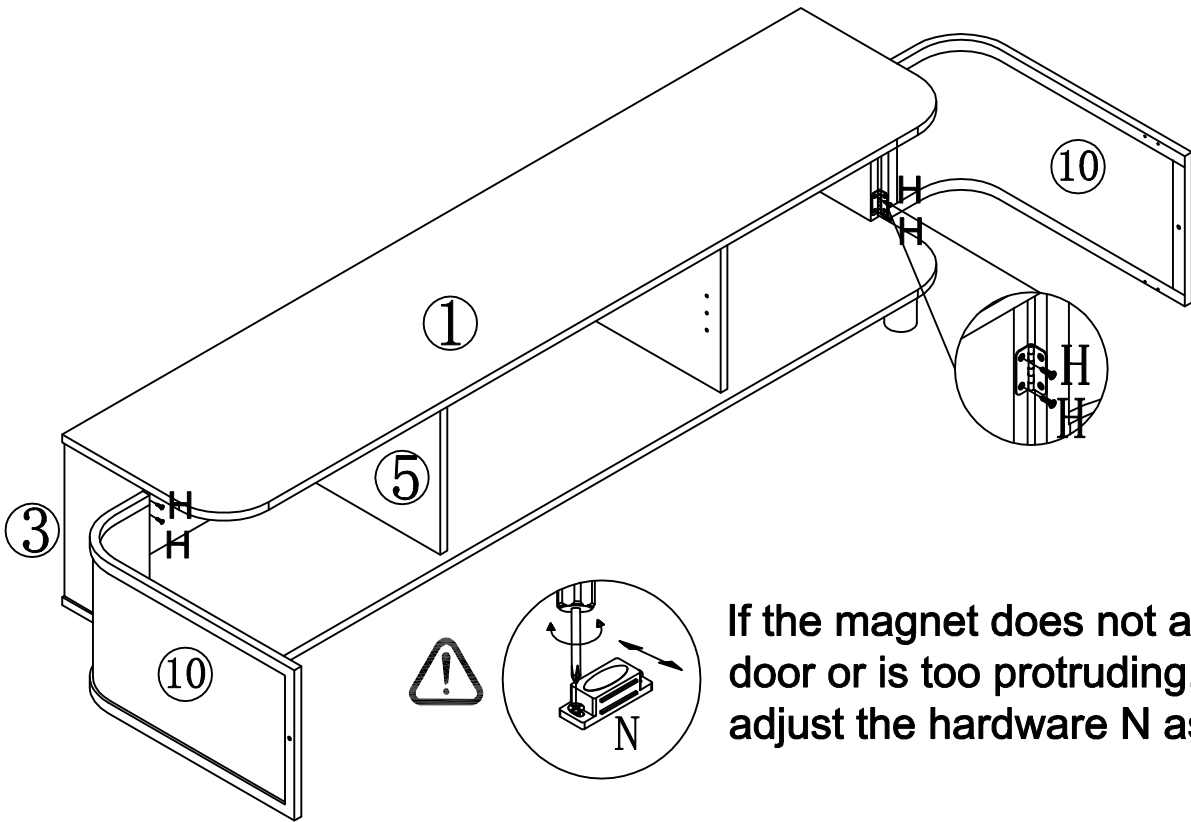


X 2




# Step 11


H	x 8
	




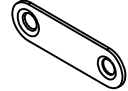
If the magnet does not absorb the door or is too protruding, please adjust the hardware N as shown

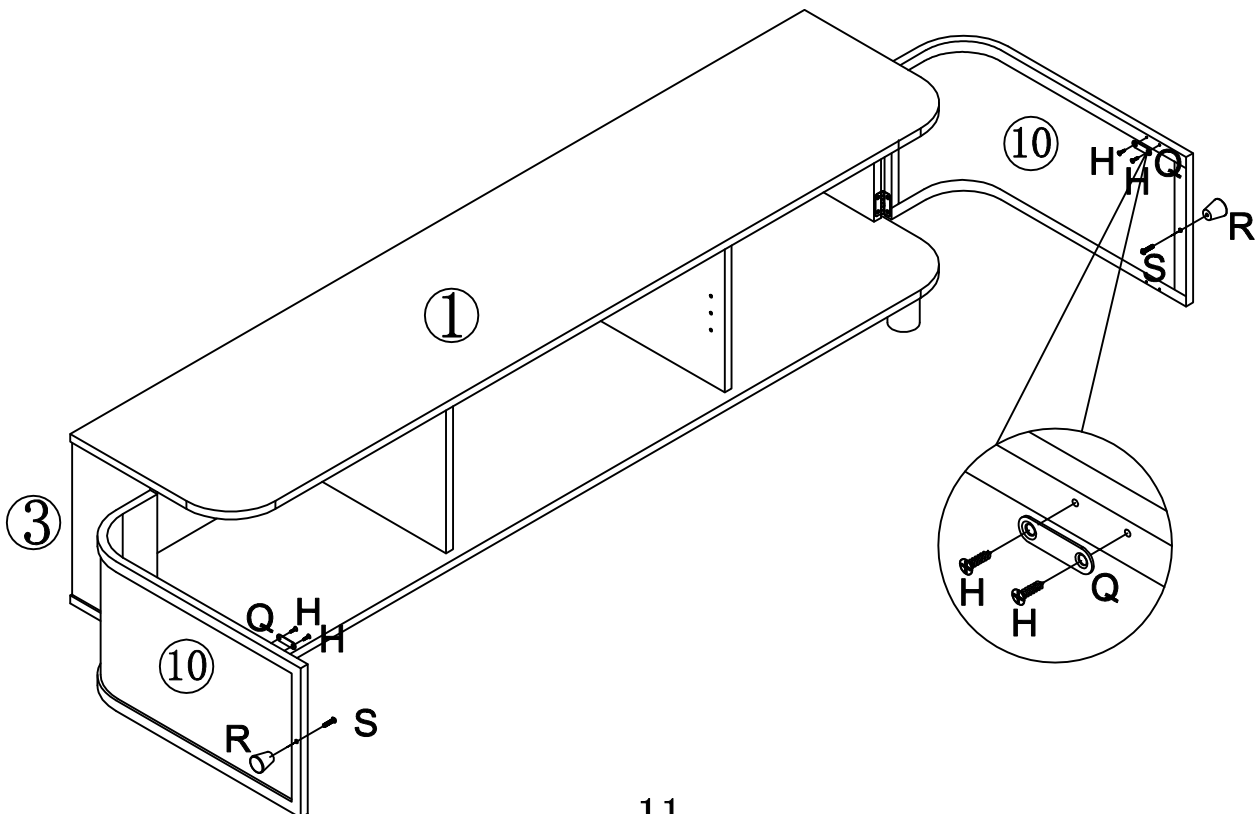
# Step 12

R	x 2
	

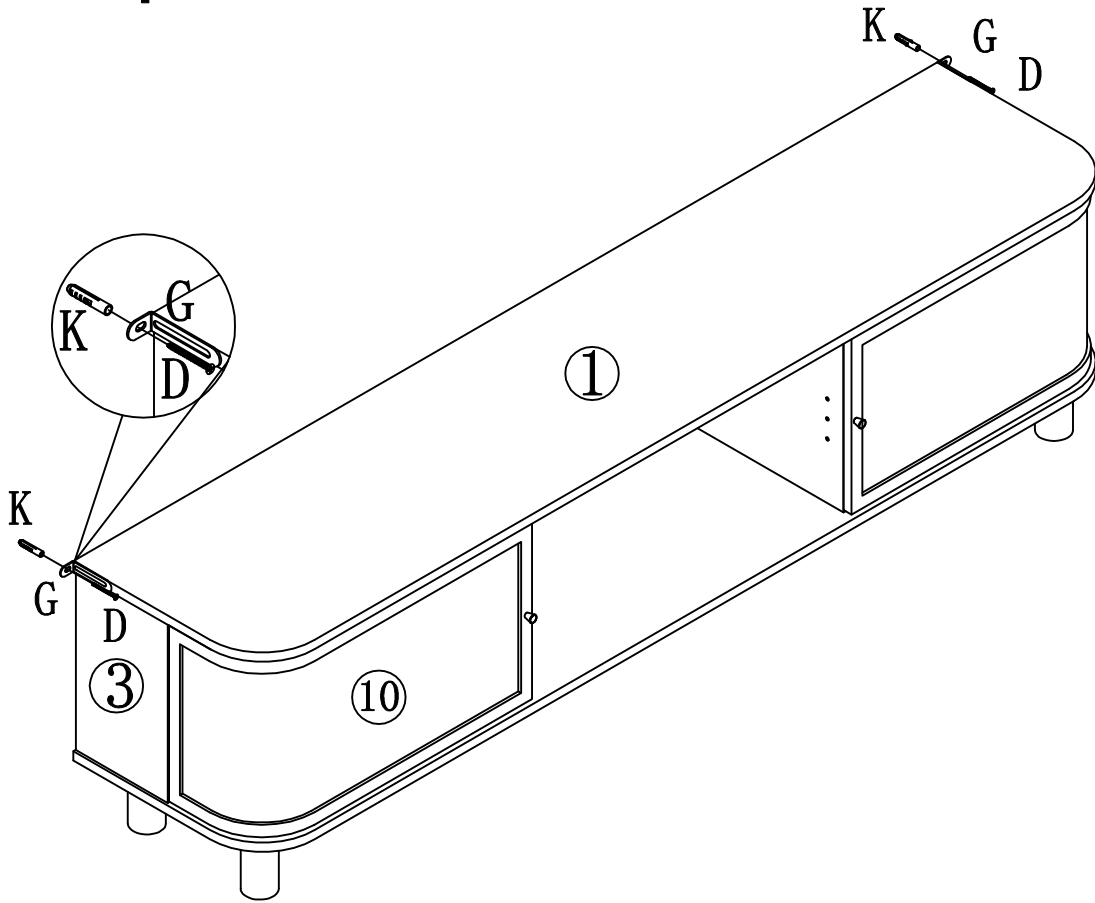
S	x 2
	


H	x 4
	

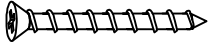
Q	x 2
	




# Step 13

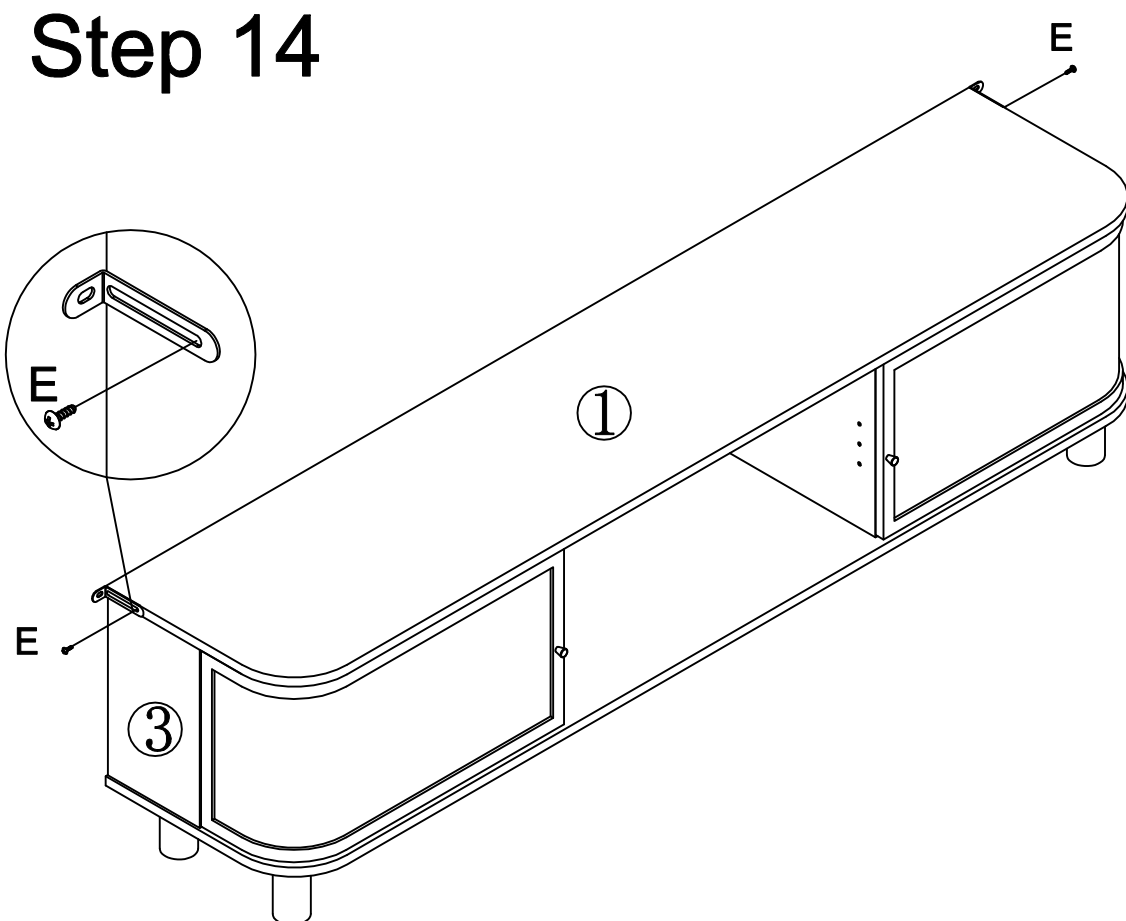



G	x 2
	

D	x 2
	


K	x 2
	

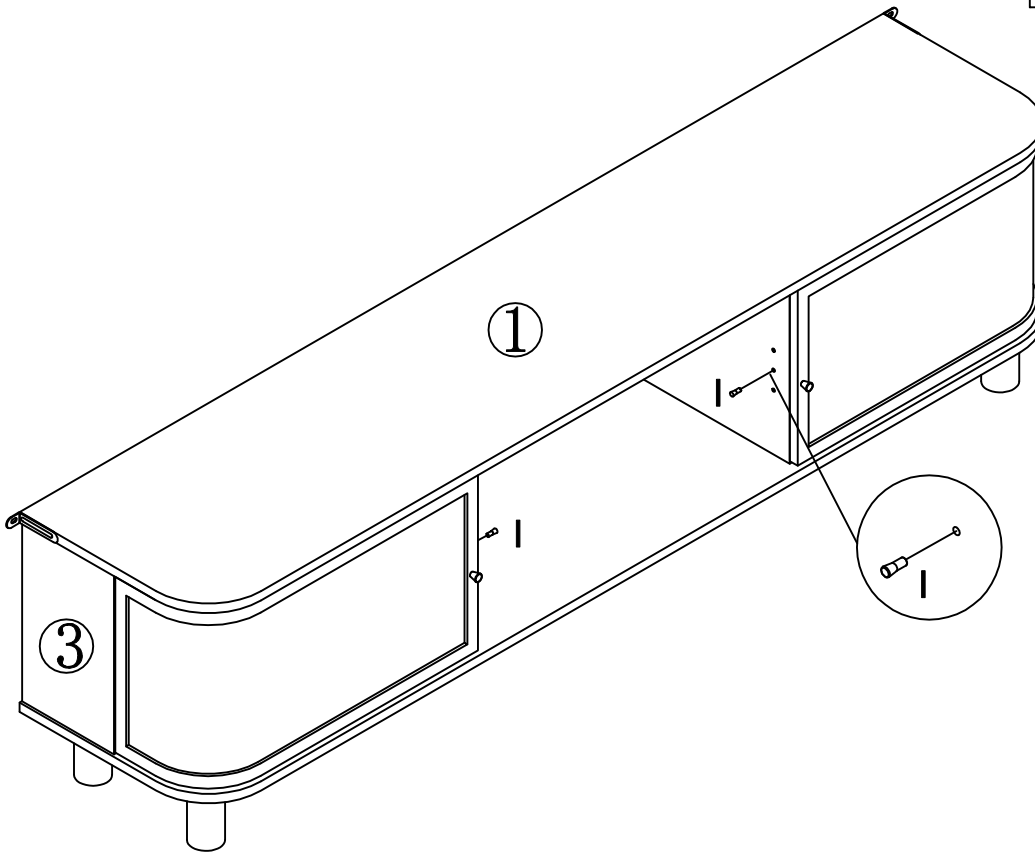
# Step 14



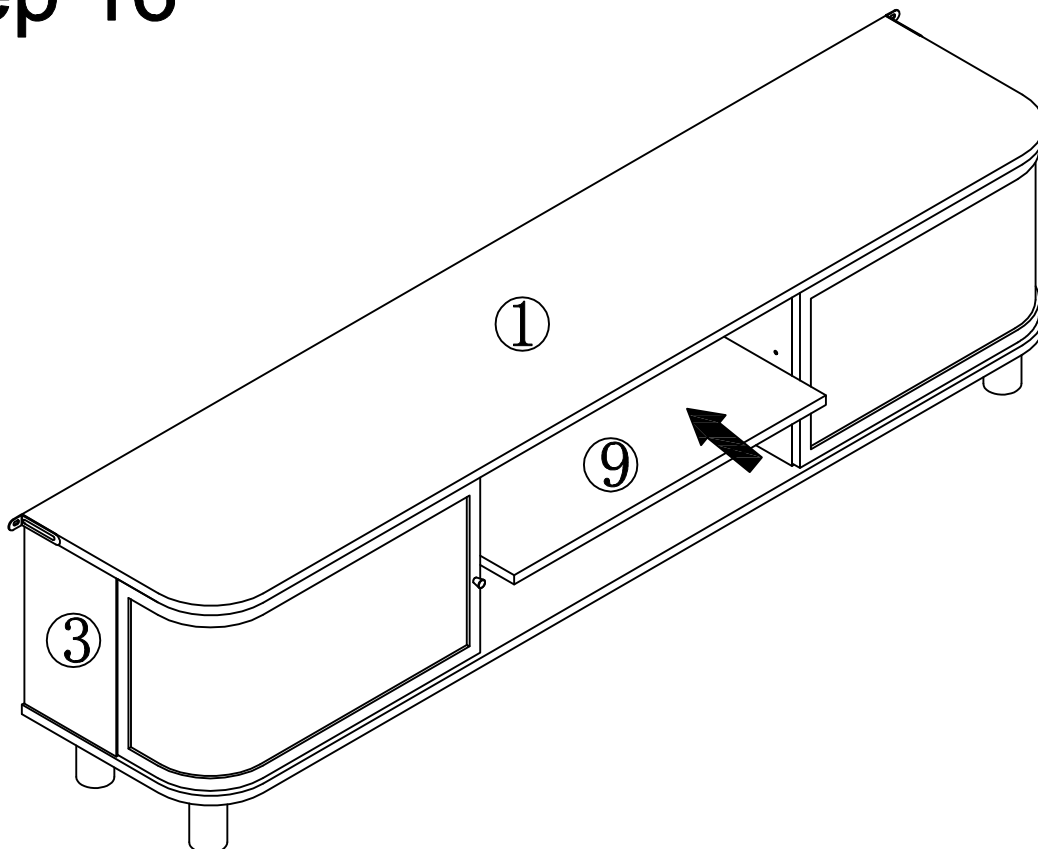
E	x 2
	

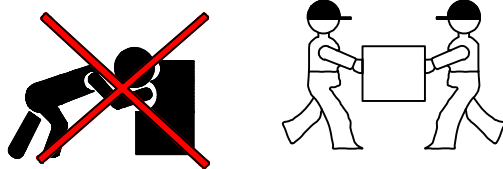
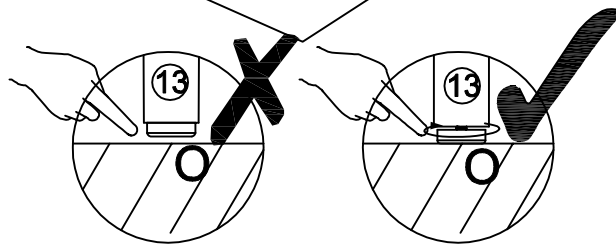
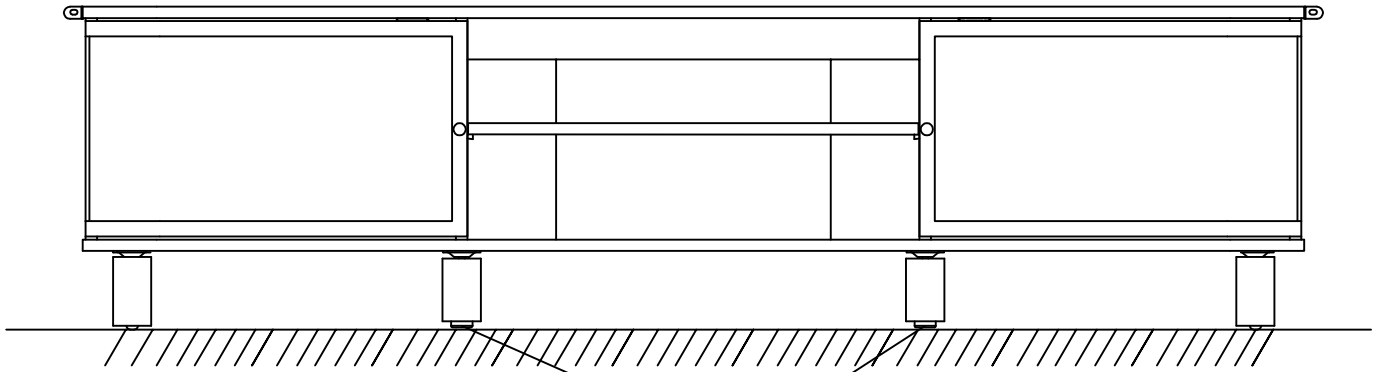
# Step 15

I	x 4
	



# Step 16





Two people work together to move the table.  
Make sure you lift it off the ground.  
Don't push and pull.