



INSTALLATION MANUAL

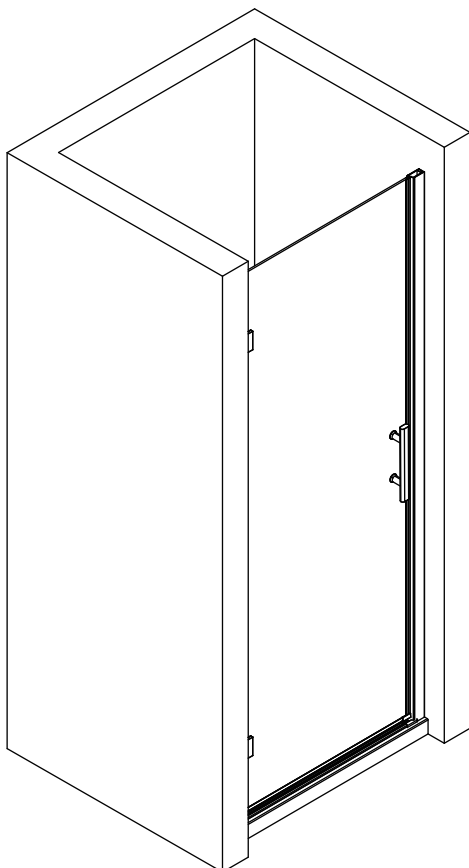
PIVOT SHOWER DOOR

✉ Email: bestgoservice@126.com

☎ Hotline: 626 679 3588



PRODUCT
INSTRUCTION
VIDEO



**Left Hinged Door
(P2-P16)**

**Right Hinged Door
(P17-P33)**



PRODUCT
INSTRUCTION
VIDEO

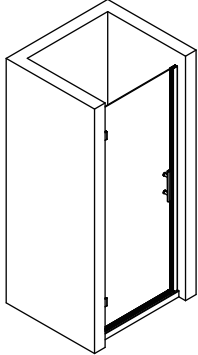
www.getprohome.com

GTL30/32/34/36

AVAILABLE SIZES

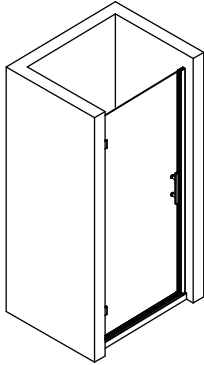
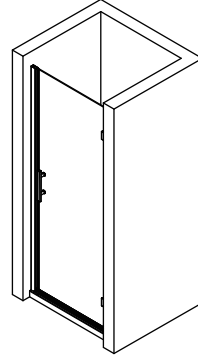
Color Option: Chrome / Matte Black

Left Hinged Door

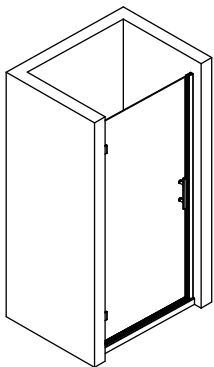
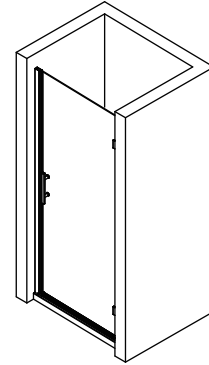


30" W x 72" H

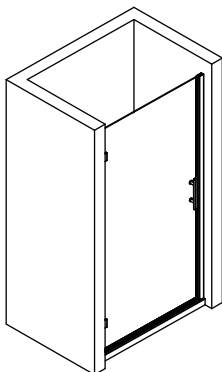
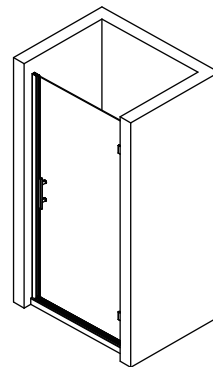
Right Hinged Door



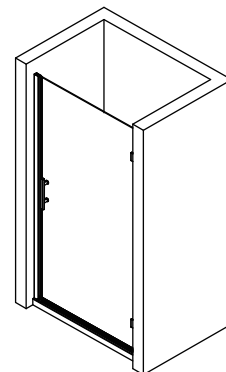
32" W x 72" H



34" W x 72" H

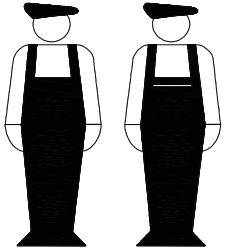


36" W x 72" H



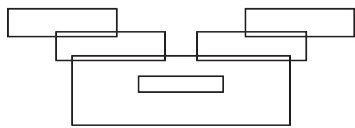


Please read all instructions carefully before installation.

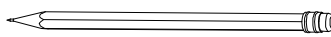


Due to the complexity of the installation process, professional plumbers are recommended.

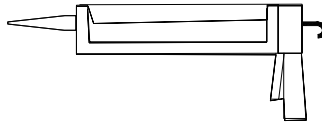
Required Tools



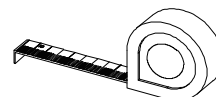
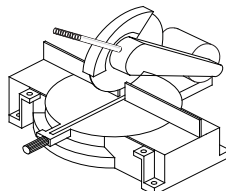
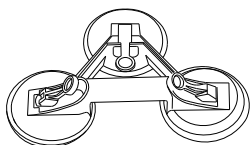
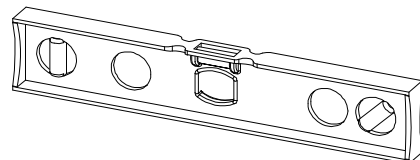
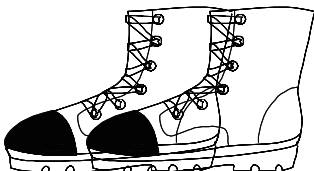
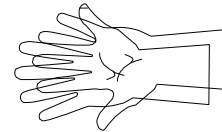
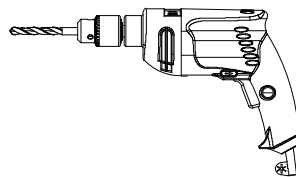
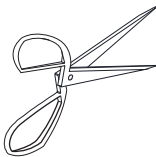
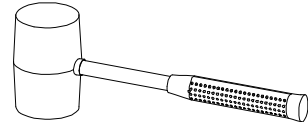
$\Phi 1/8''$

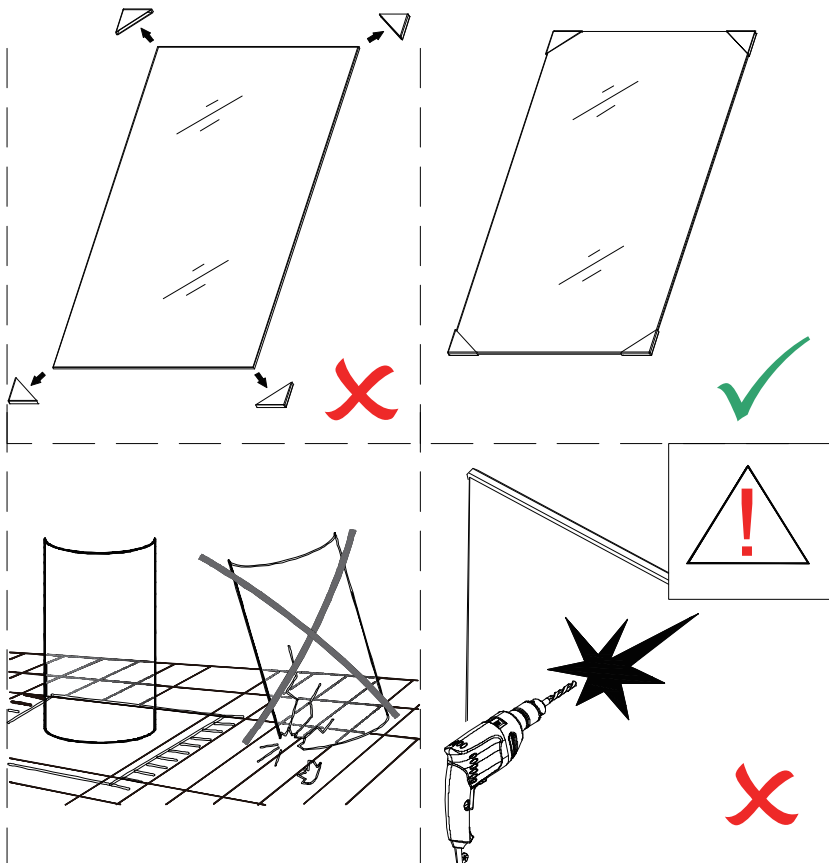
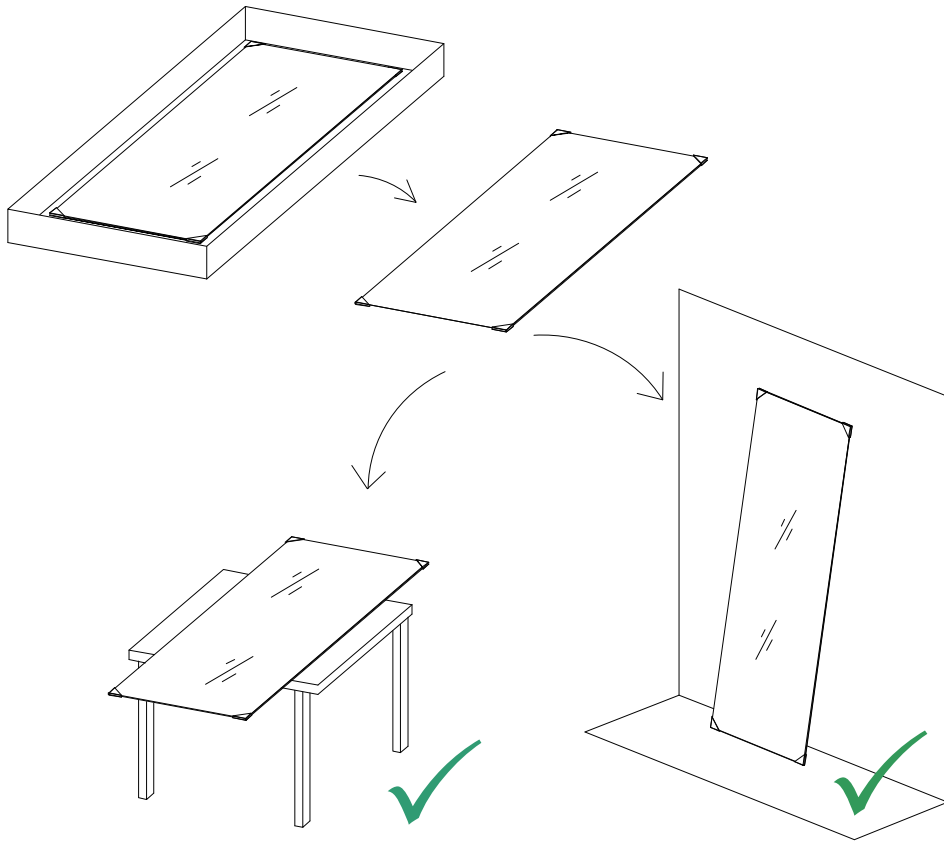


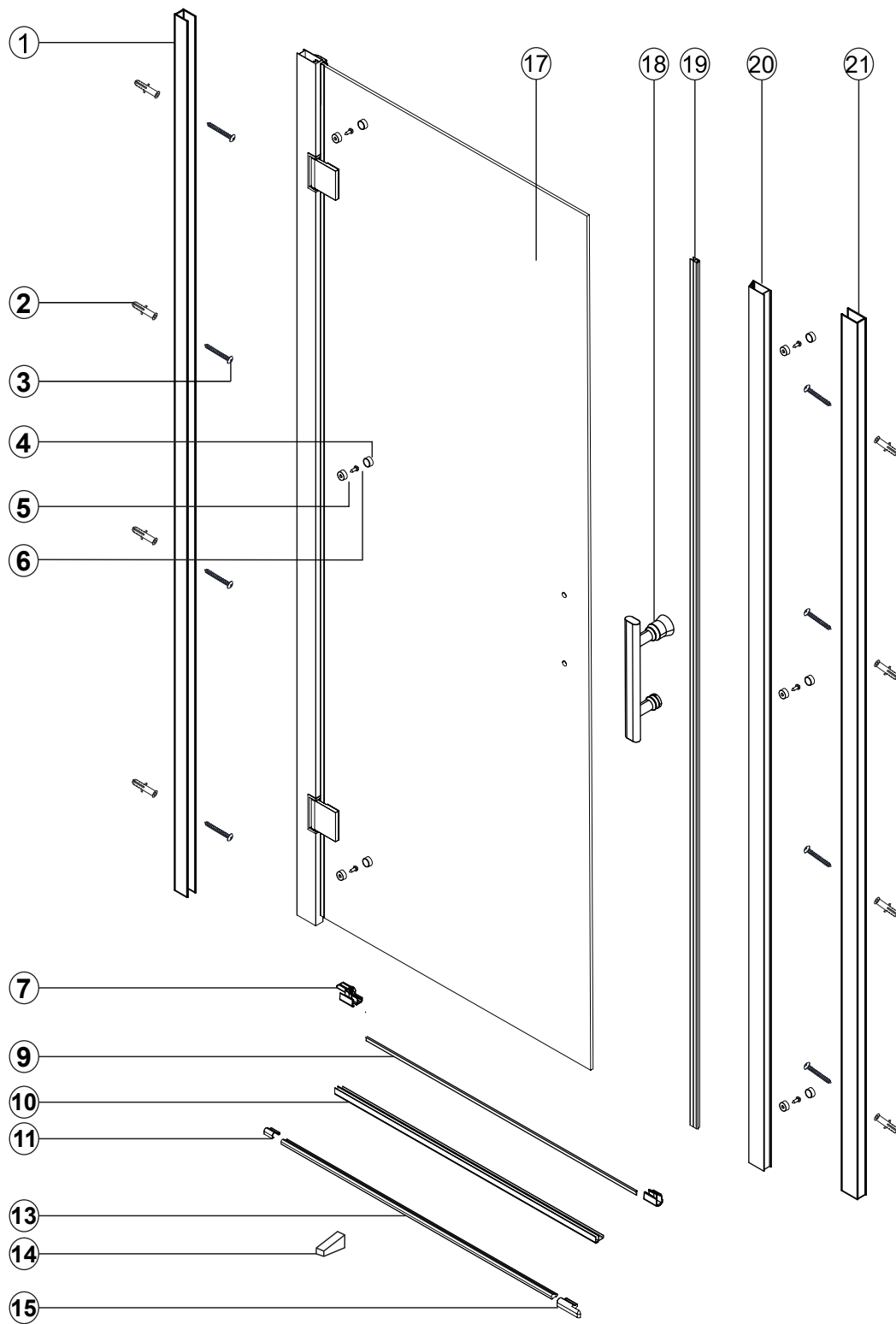
$\Phi 1/4''$



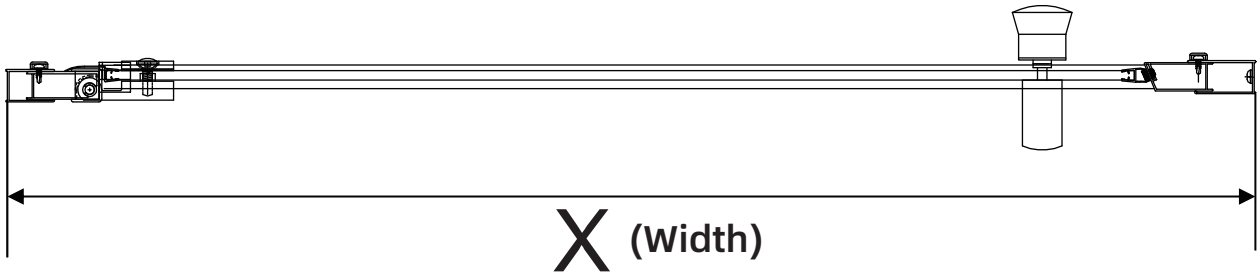
$\Phi 5/16''$



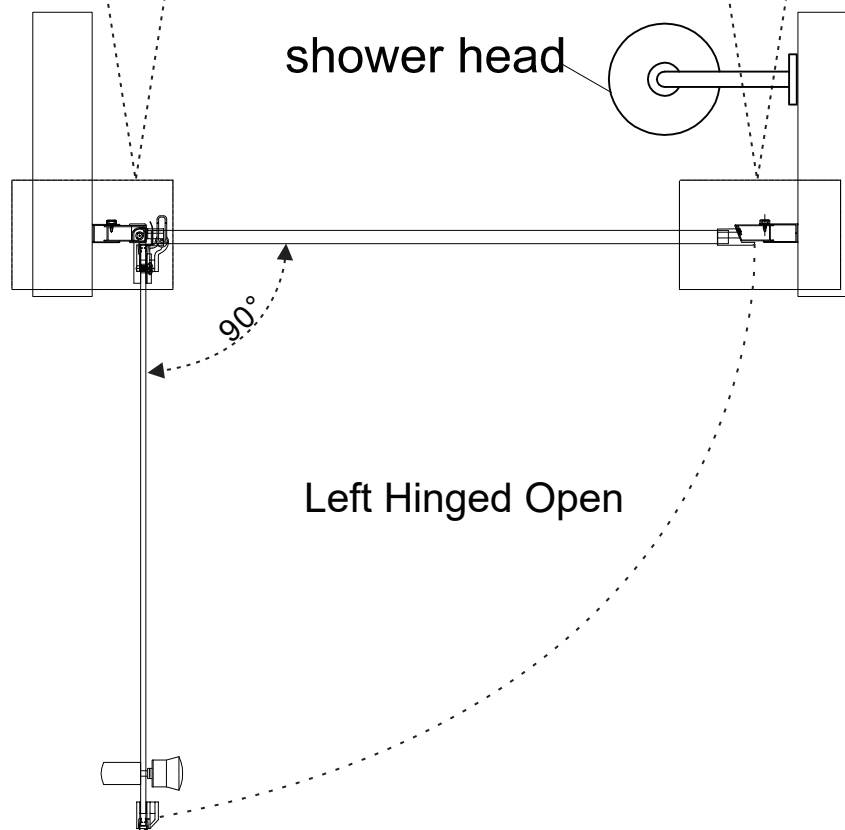
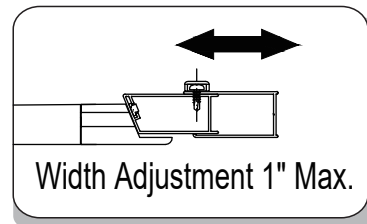
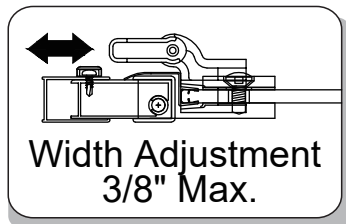


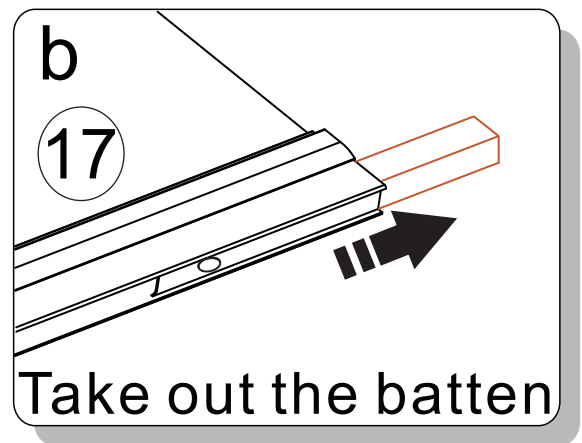
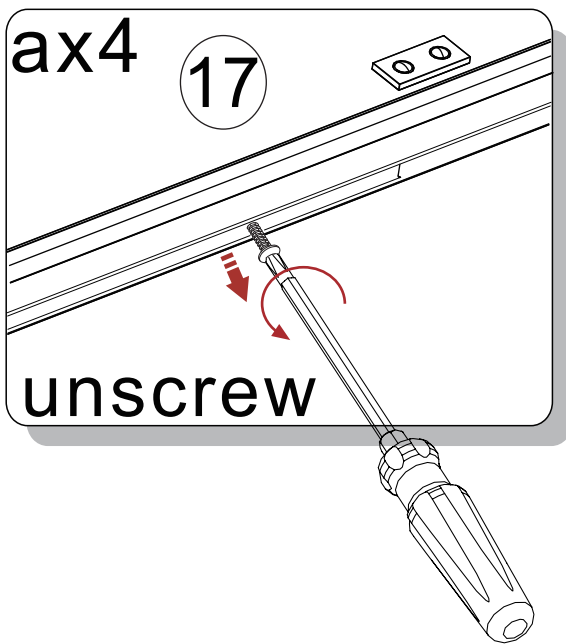
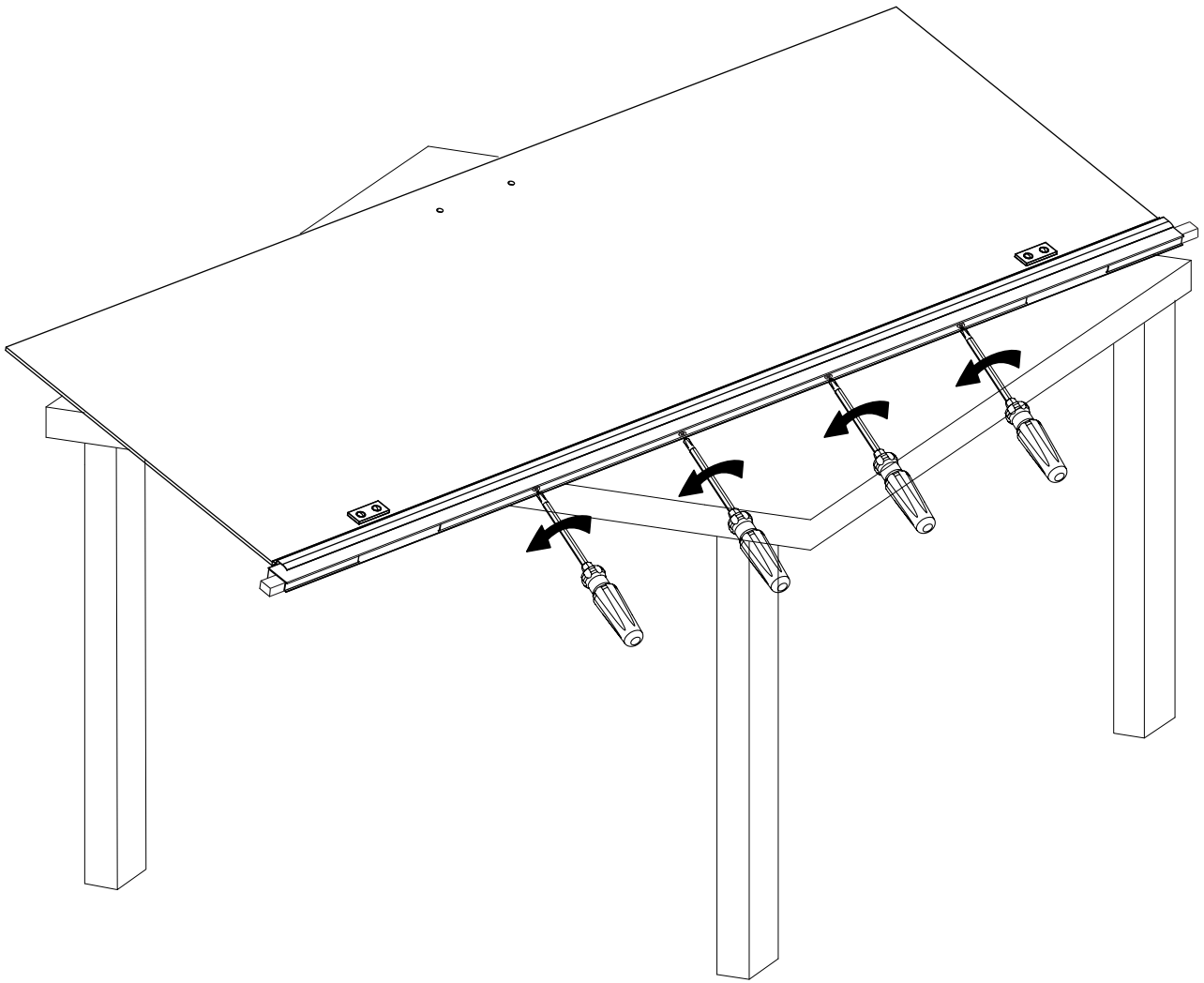


NO.	Picture	Qty	NO.	Picture	Qty	NO.	Picture	Qty	NO.	Picture	Qty	NO.	Picture	Qty
①		1	②		10	③		10	④		8	⑤		8
⑥		8	⑦		1	⑨		1	⑩		1	⑪		1
⑬		1	⑭		1	⑮		1	⑰		1	⑱		1
⑲		1	⑳		1	㉑		1						

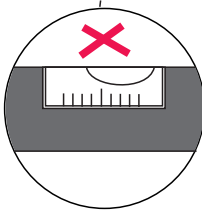
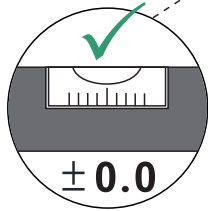
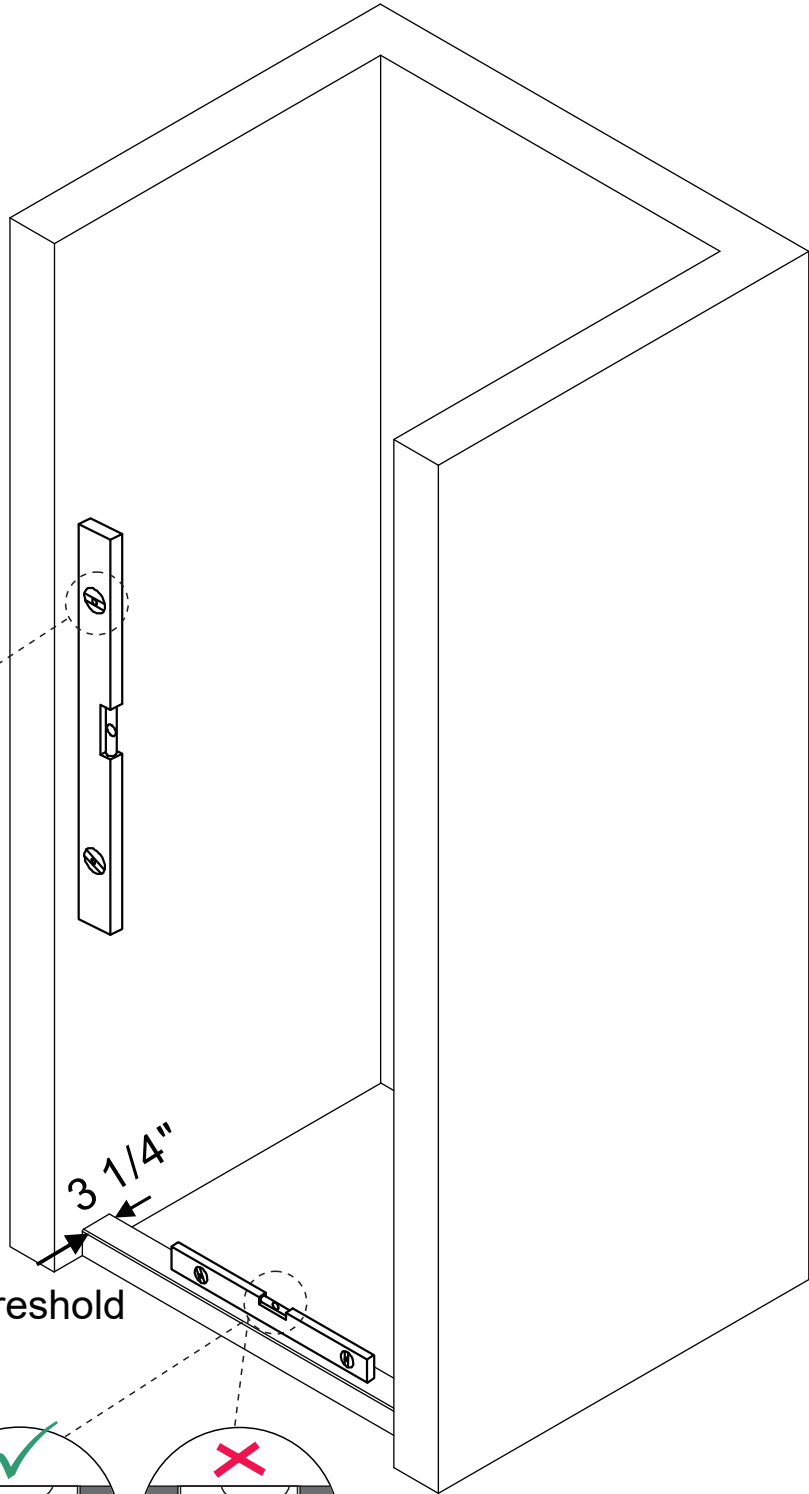
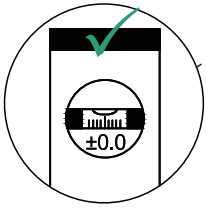


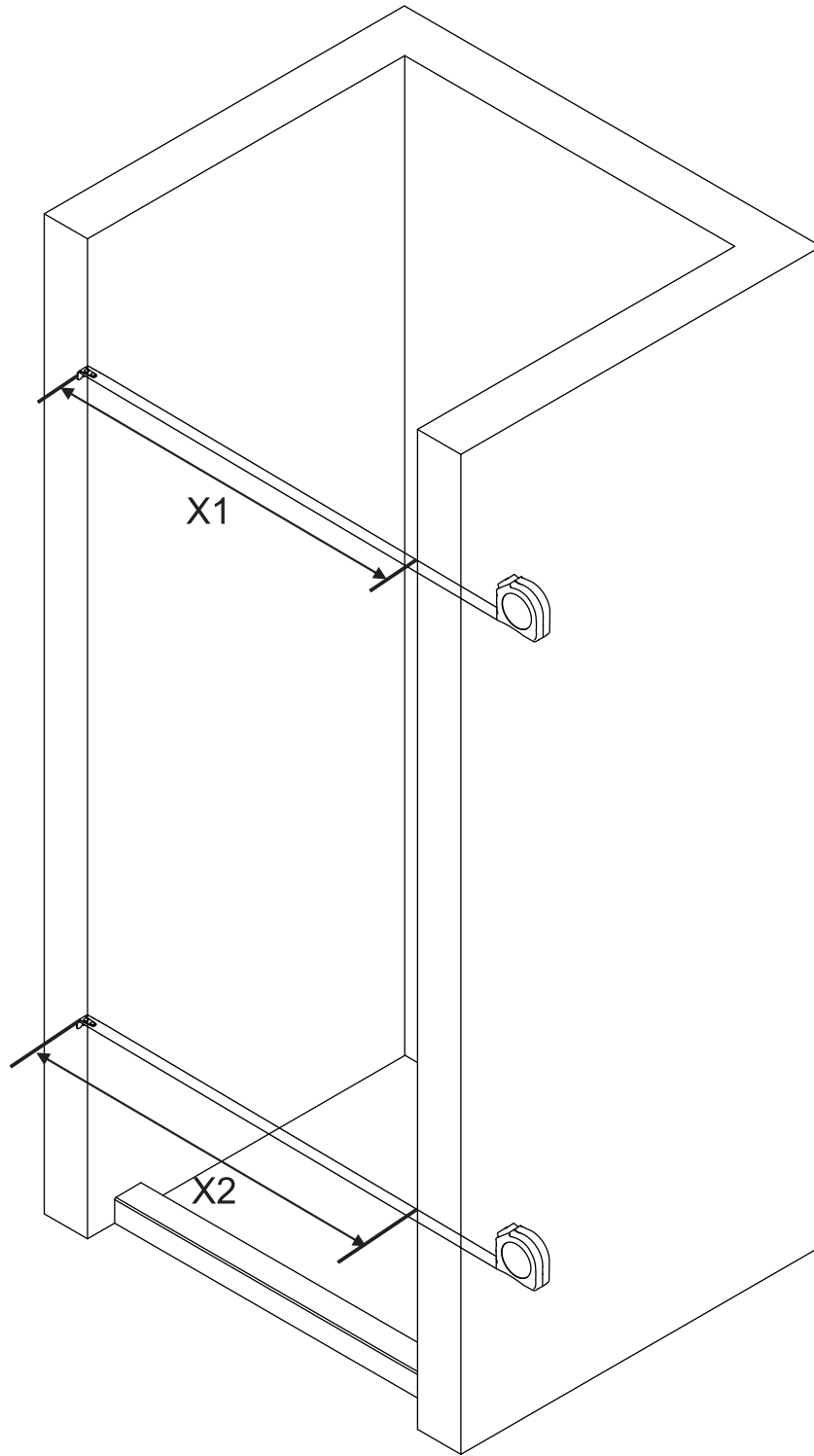
		X (Width)	
	Height	Min.	Max.
30"W x 72"H	72"	30"	31 1/4"
32"W x 72"H	72"	32"	33 1/4"
34"W x 72"H	72"	34"	35 1/4"
36"W x 72"H	72"	36"	37 1/4"





Installation wall
must be plumb





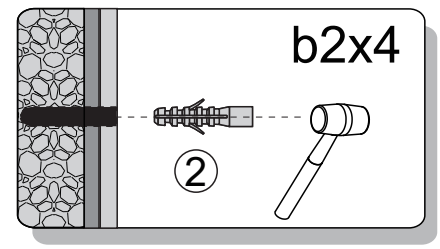
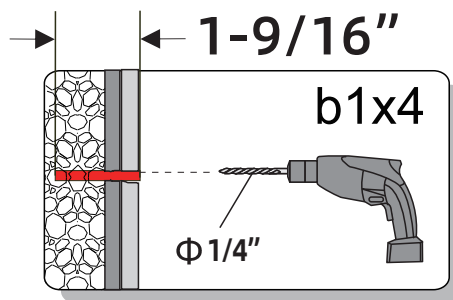
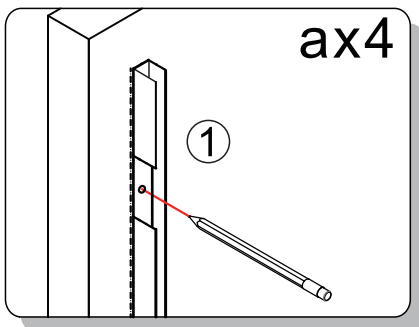
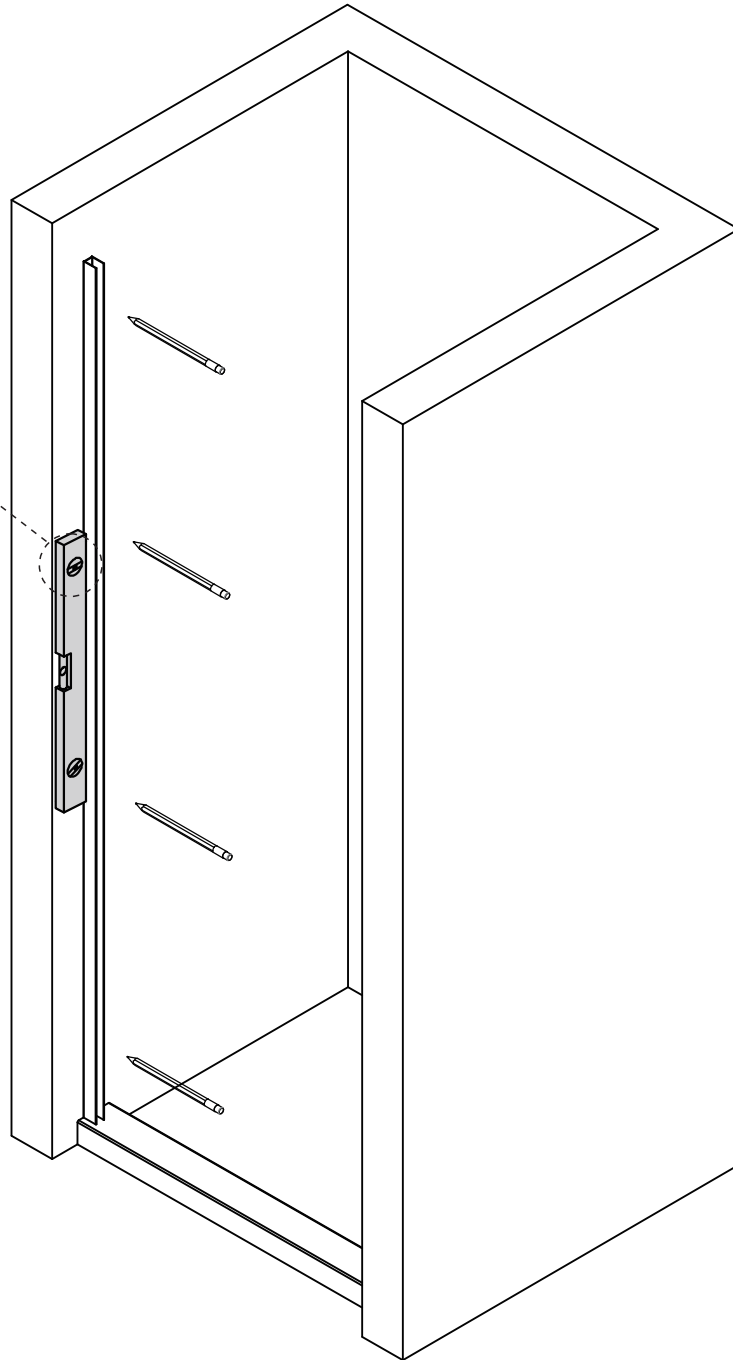
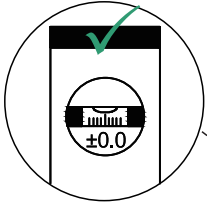


If the width of the upper and lower walls is inconsistent, please trim the wall


$X1=X2$

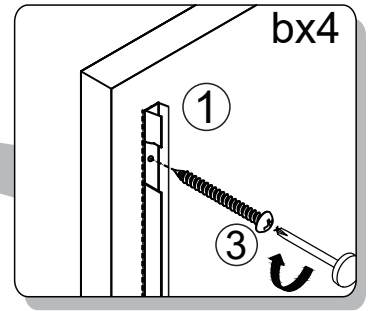
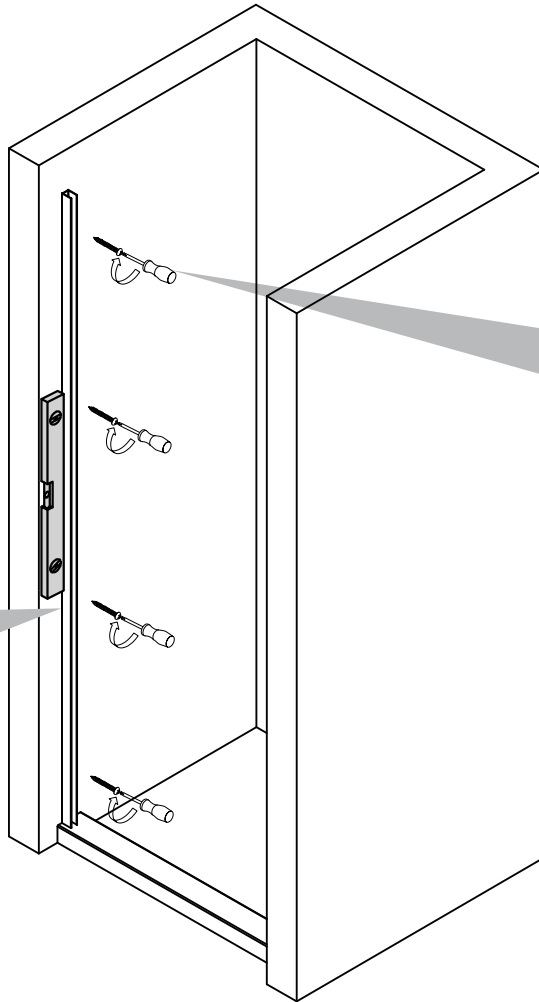
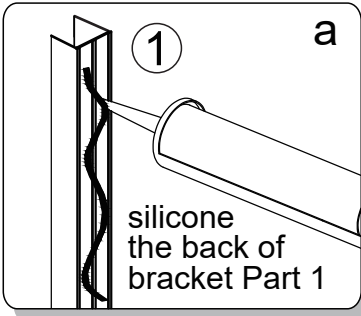
1

NO.	Picture	Qty
①		1
②		4

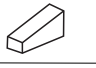
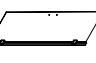


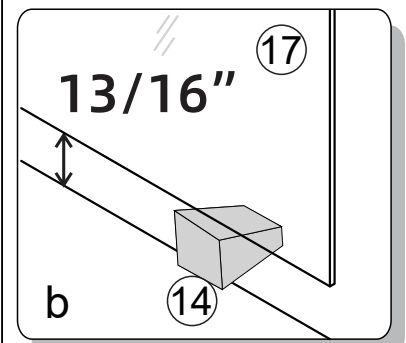
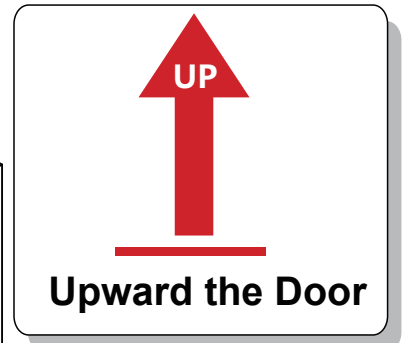
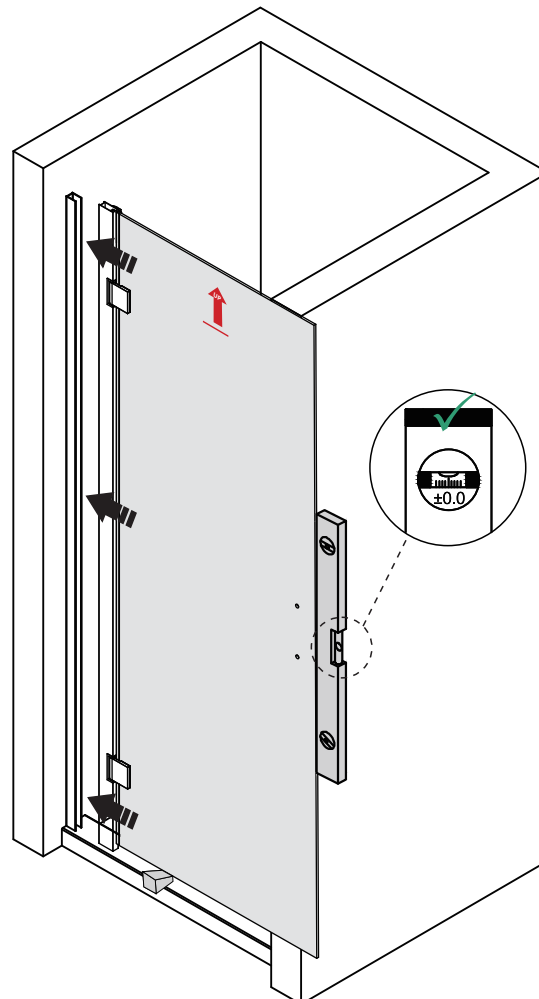
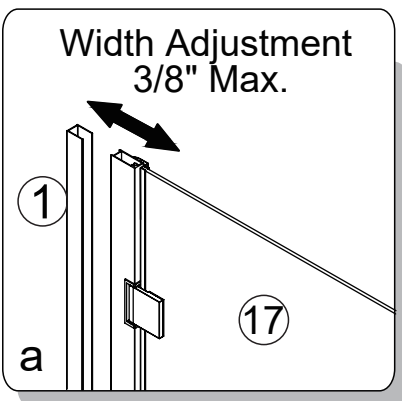
2

NO.	Picture	Qty
③	 $\Phi 3/16'' \text{ D} \times 1-9/16'' \text{ L}$	4



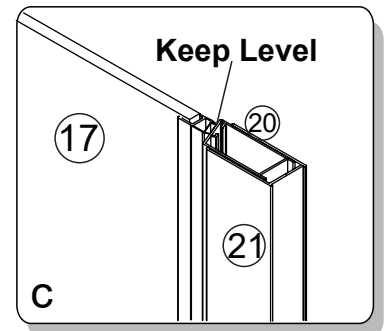
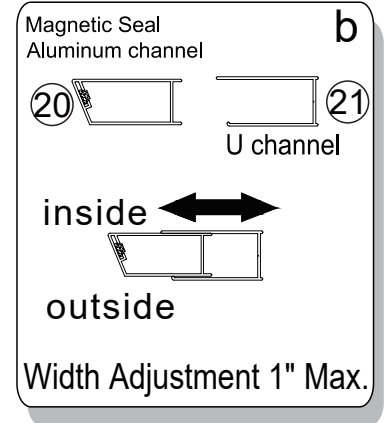
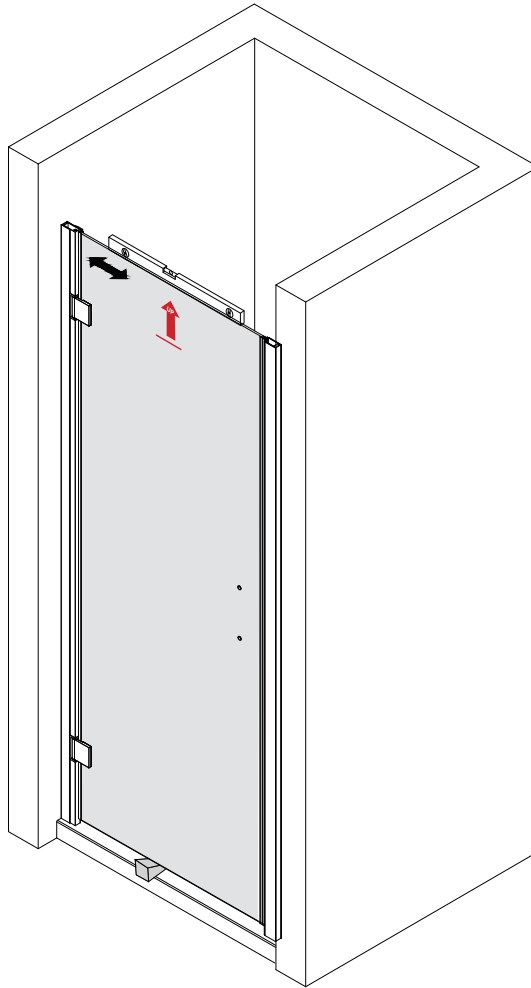
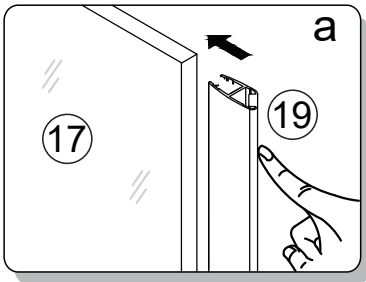
3

NO.	Picture	Qty
⑭		1
⑰		1



4

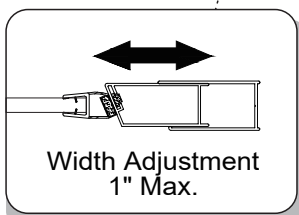
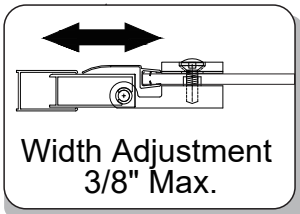
NO.	Picture	Qty
19		1
20		1
21		1



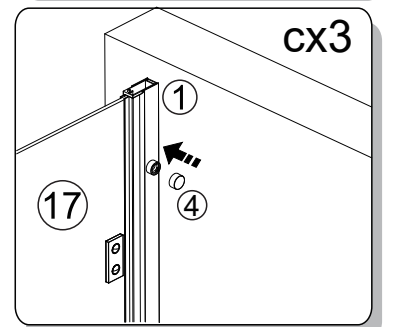
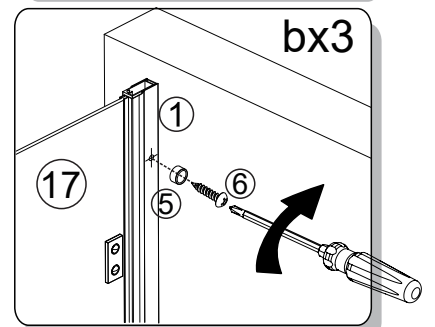
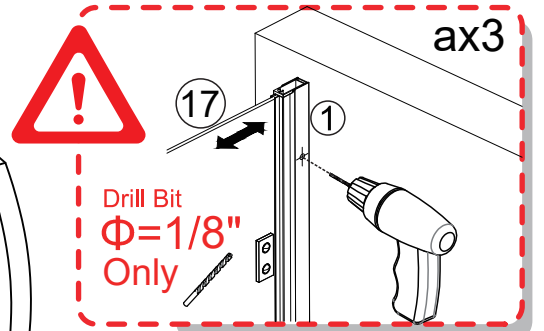
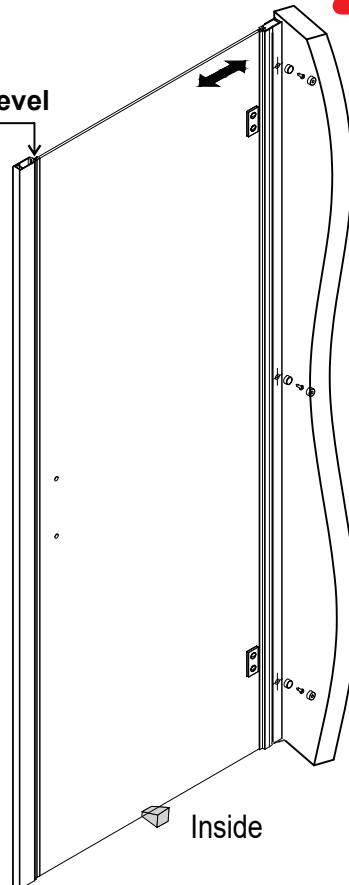
5

NO.	Picture	Qty
4		3
5		3
6		3

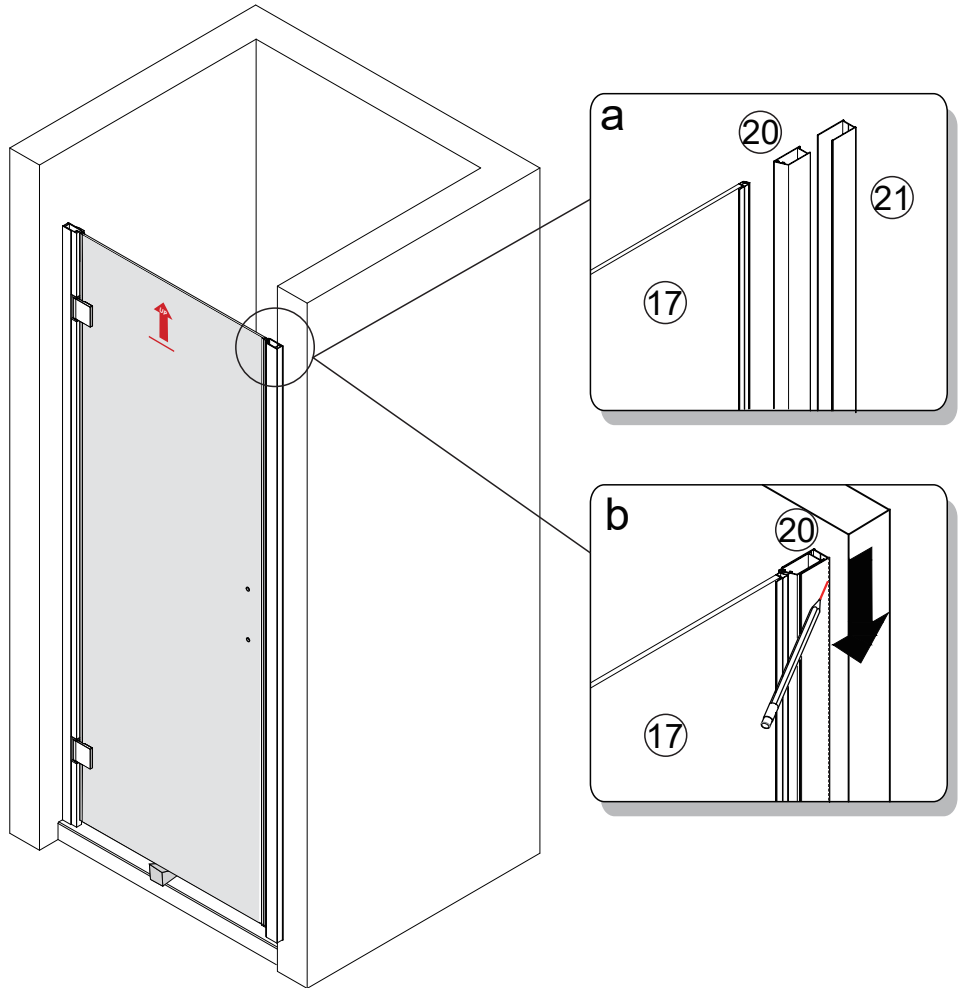
$\Phi 3/16"$ D x $1/2"$ L



Keep Level

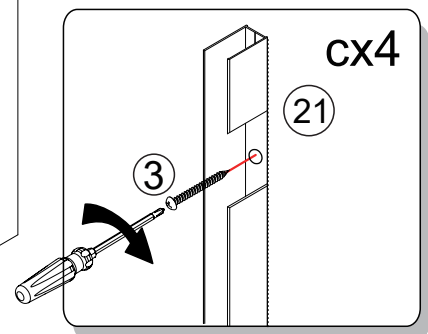
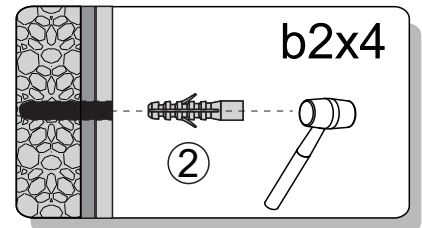
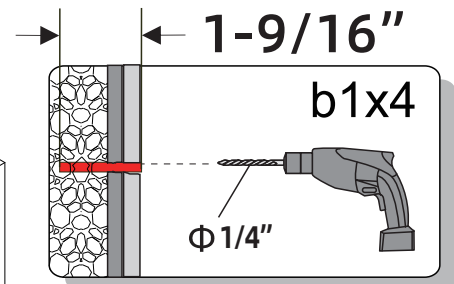
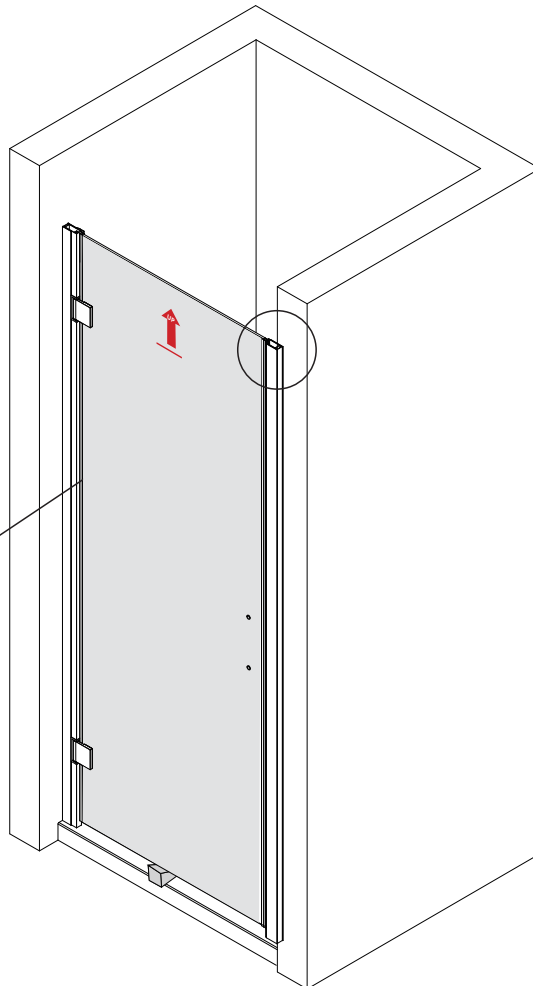
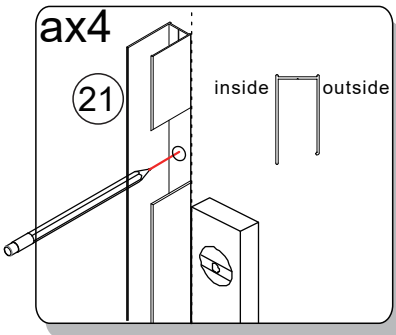


6



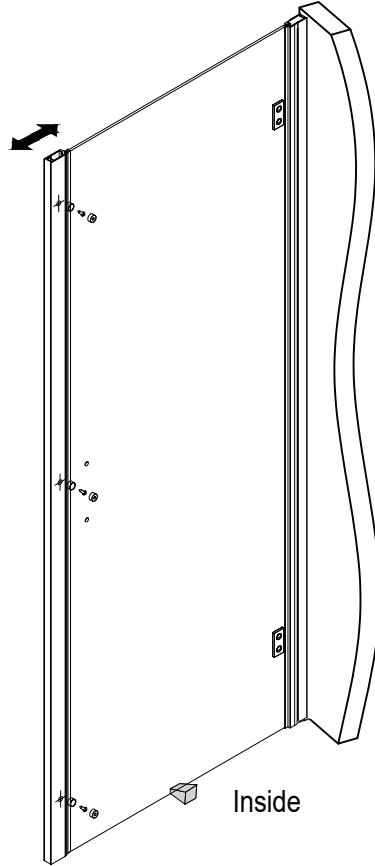
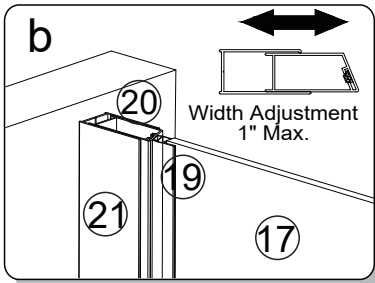
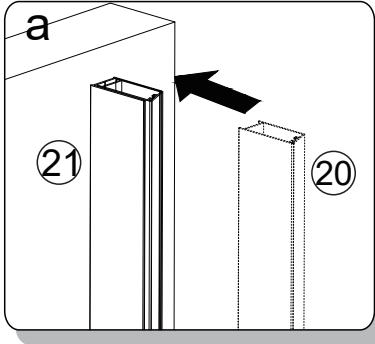
7

NO.	Picture	Qty
2		4
3	$\Phi 3/16''$ D x 1-9/16'' L	4

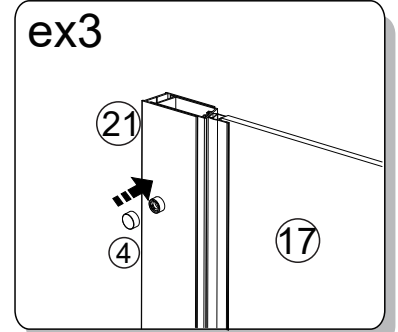
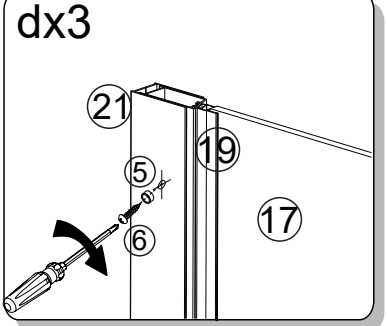
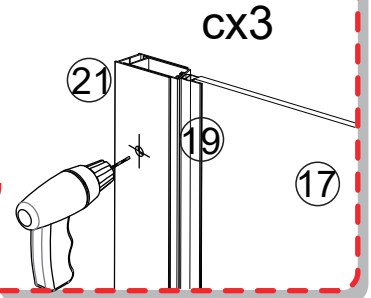


8

NO.	Picture	Qty
4		3
5		3
6	 Φ3/16" Dx1/2" L	3

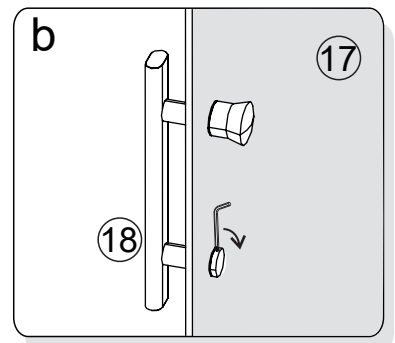
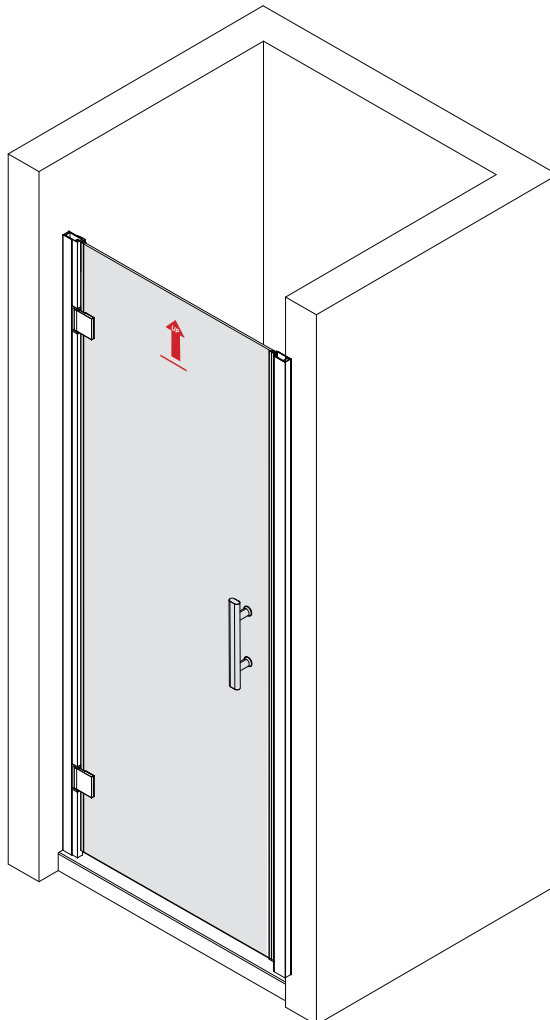
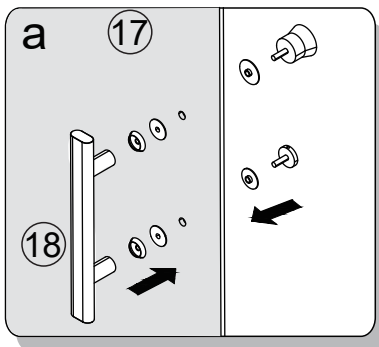


Drill Bit
Φ=1/8"
Only


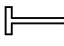



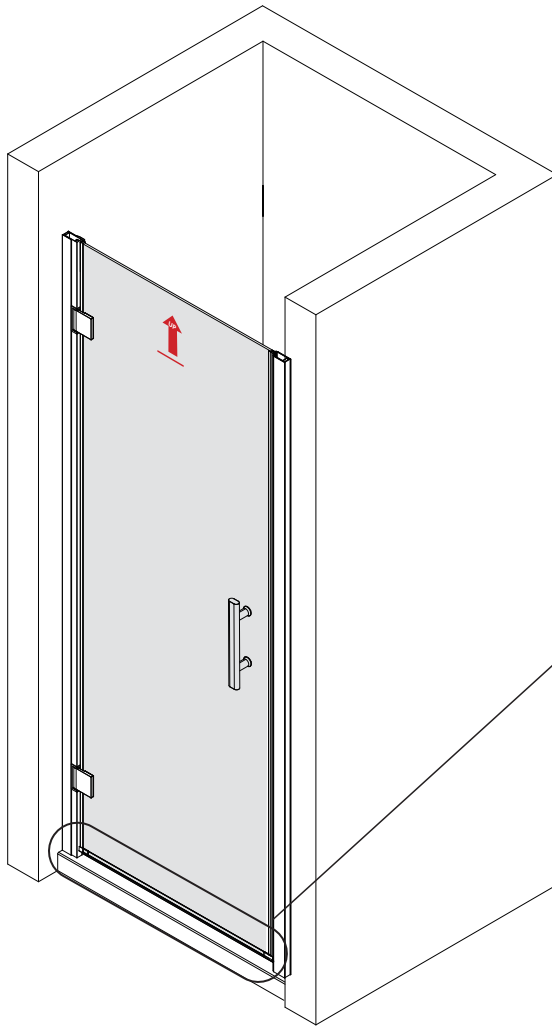
9

NO.	Picture	Qty
18		1

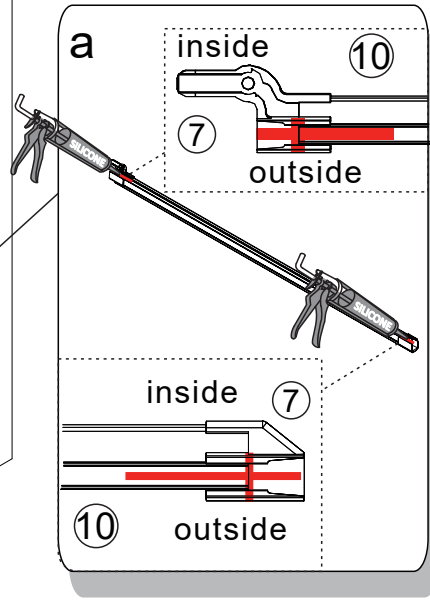


10

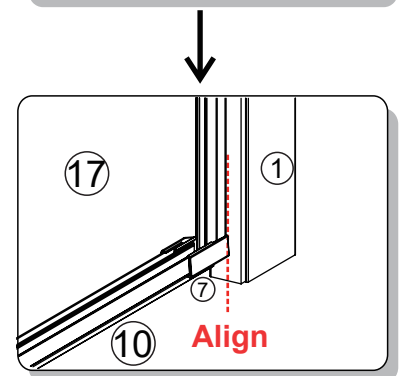
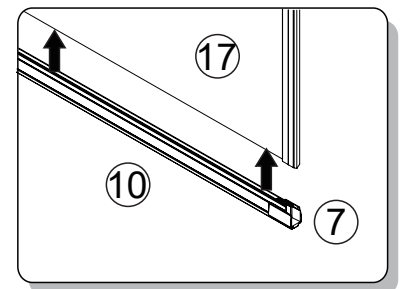
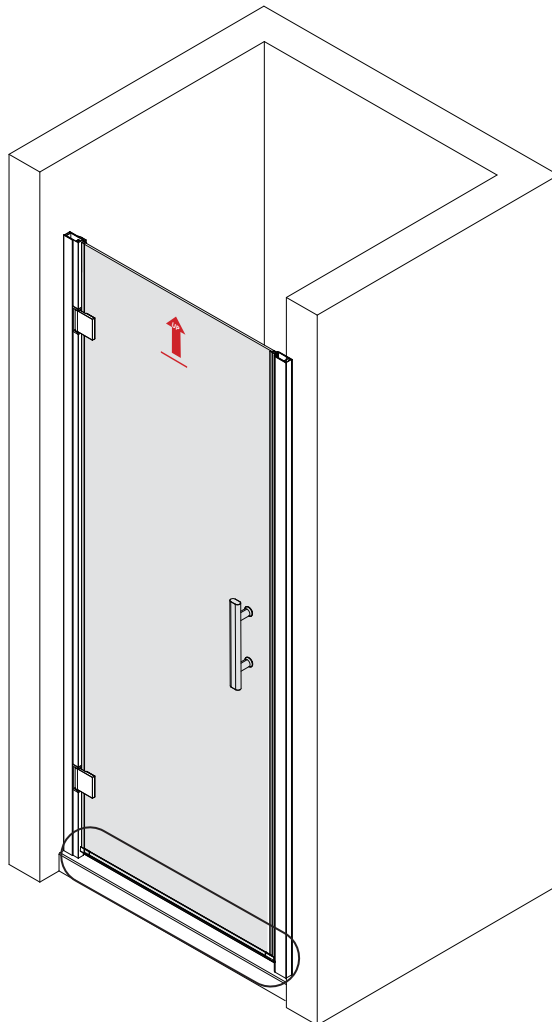
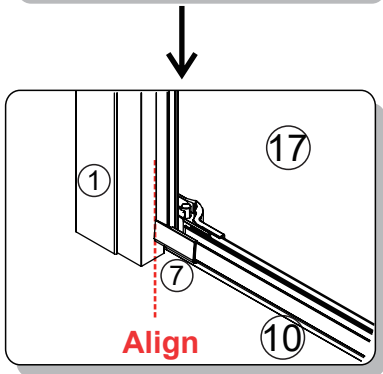
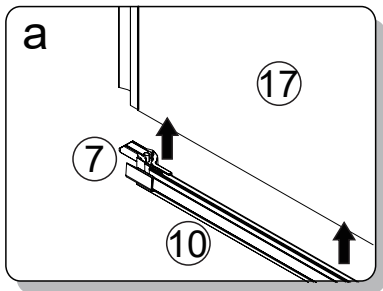
NO.	Picture	Qty
7		1
9		1
10		1






apply silicone sealant carefully to Prevent Water leakage

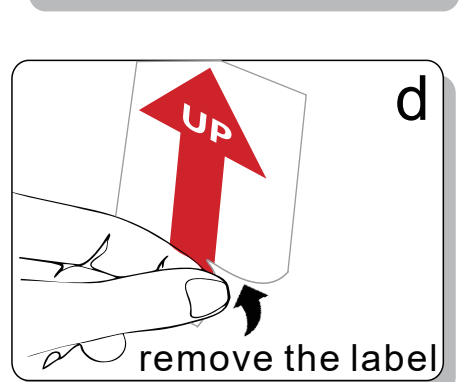
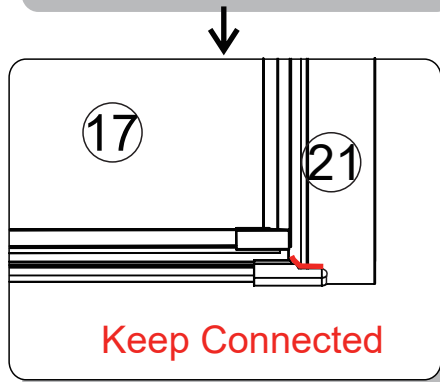
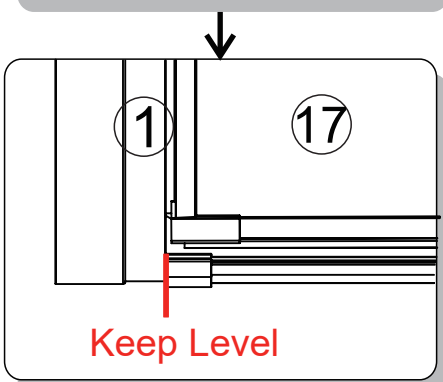
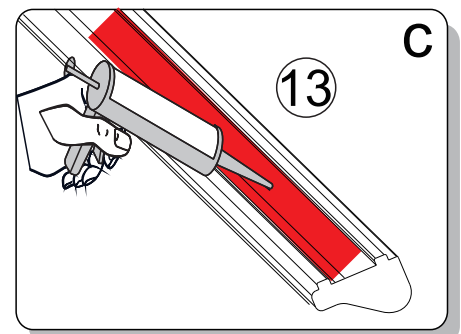
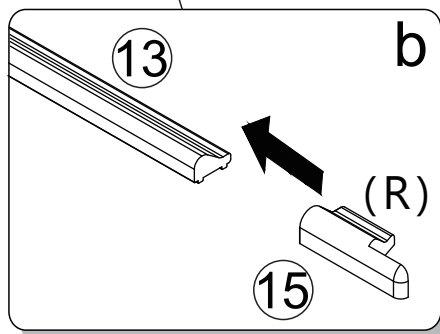
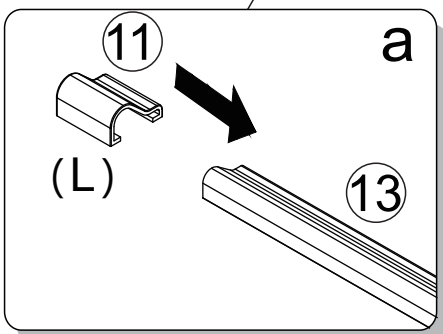
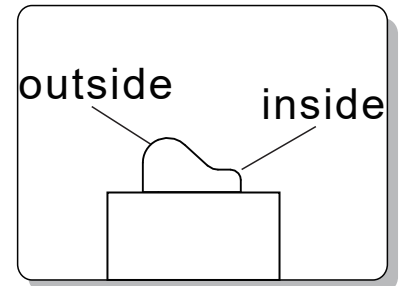
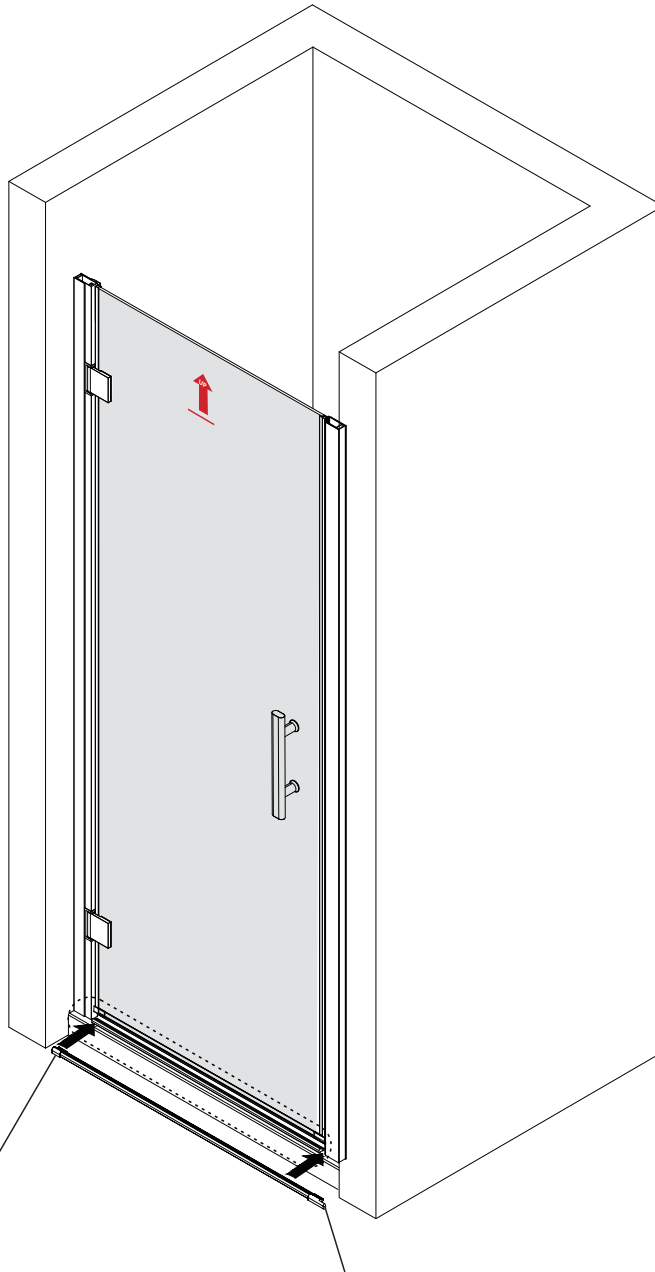


11

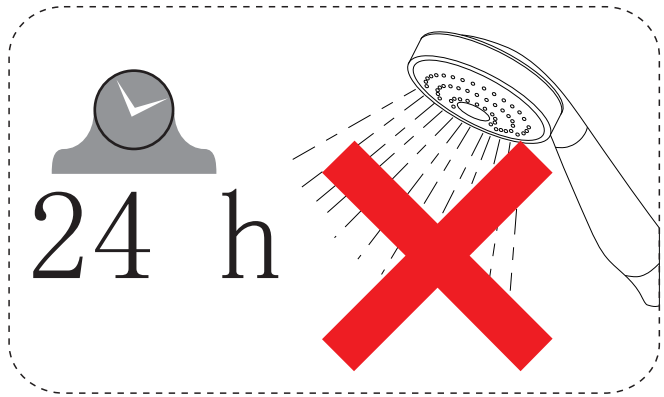
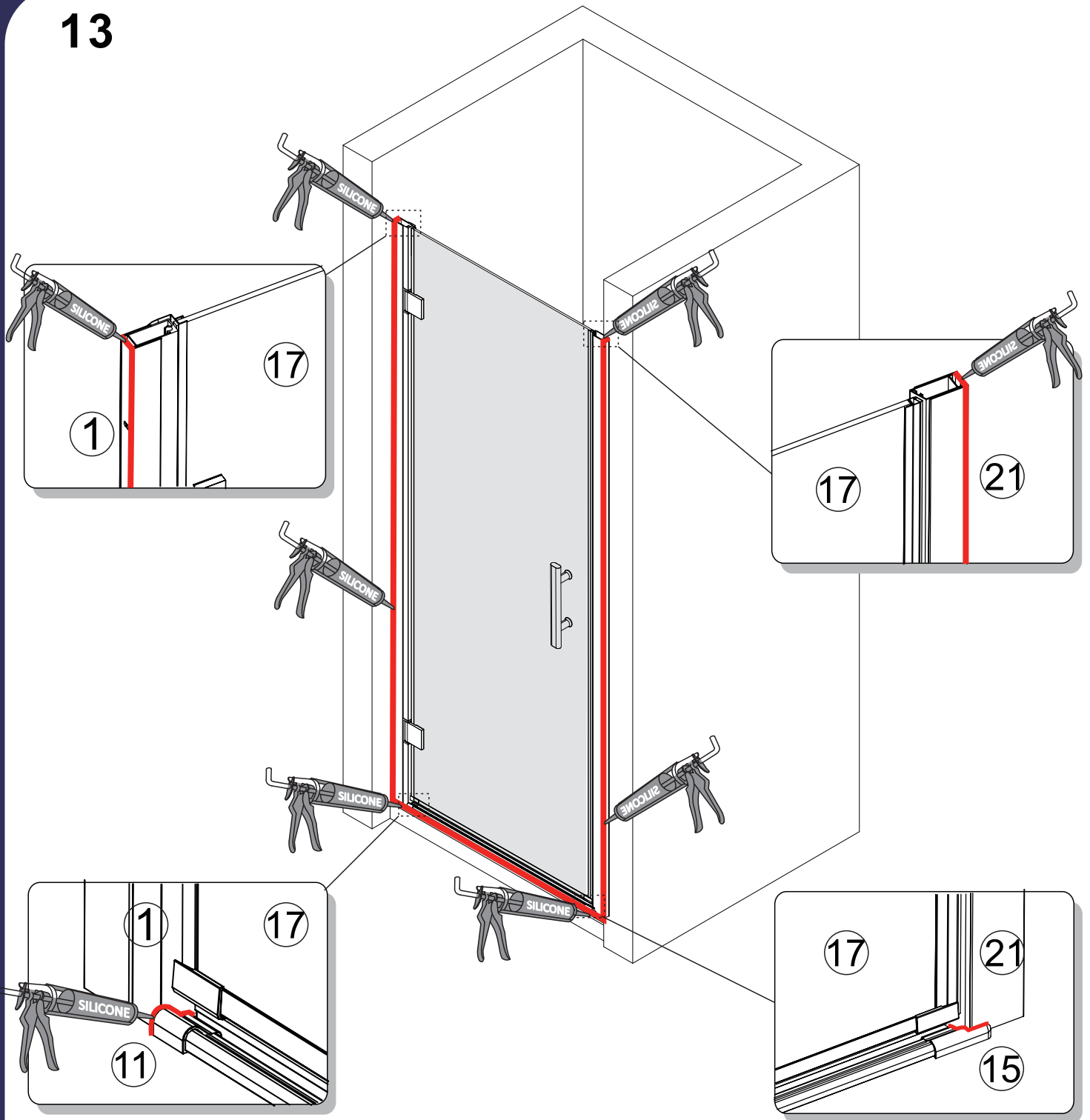


12

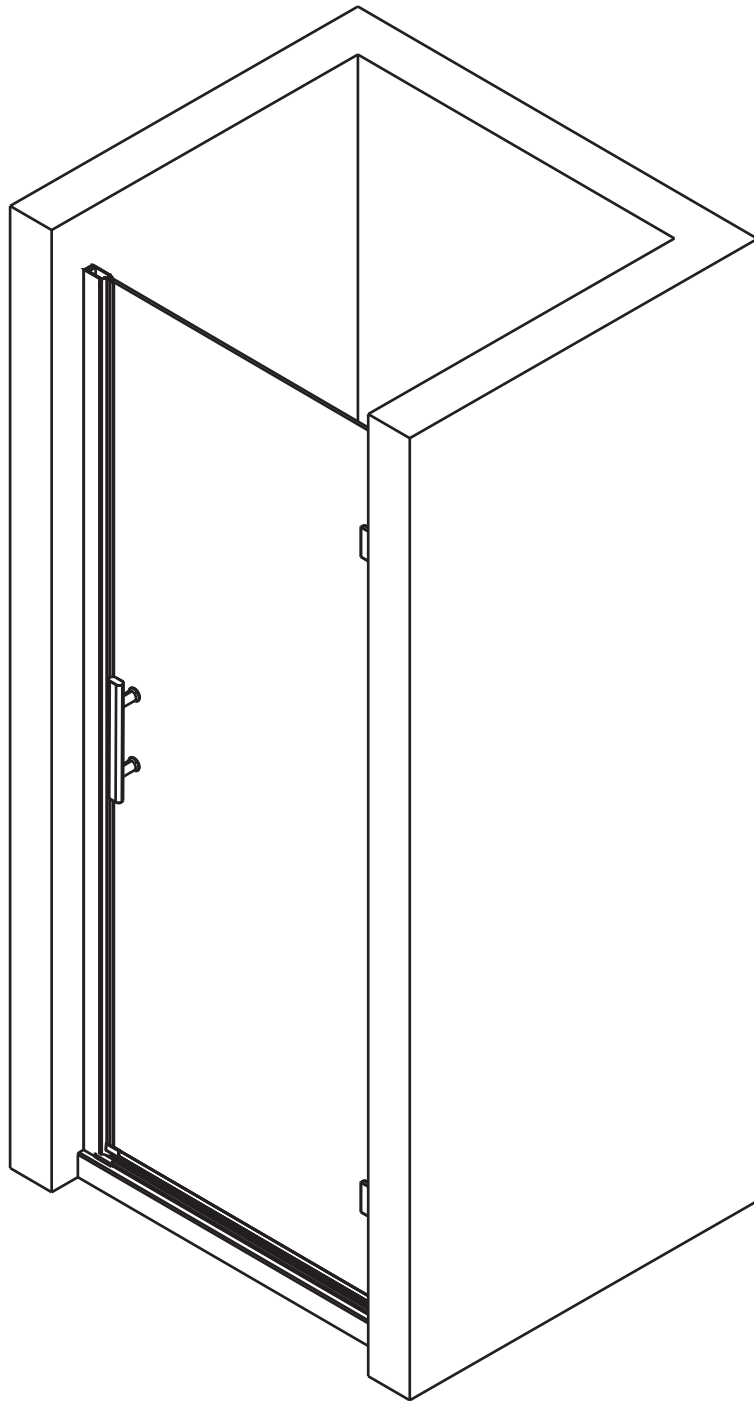
NO.	Picture	Qty
11	 L	1
13		1
15	 R	1



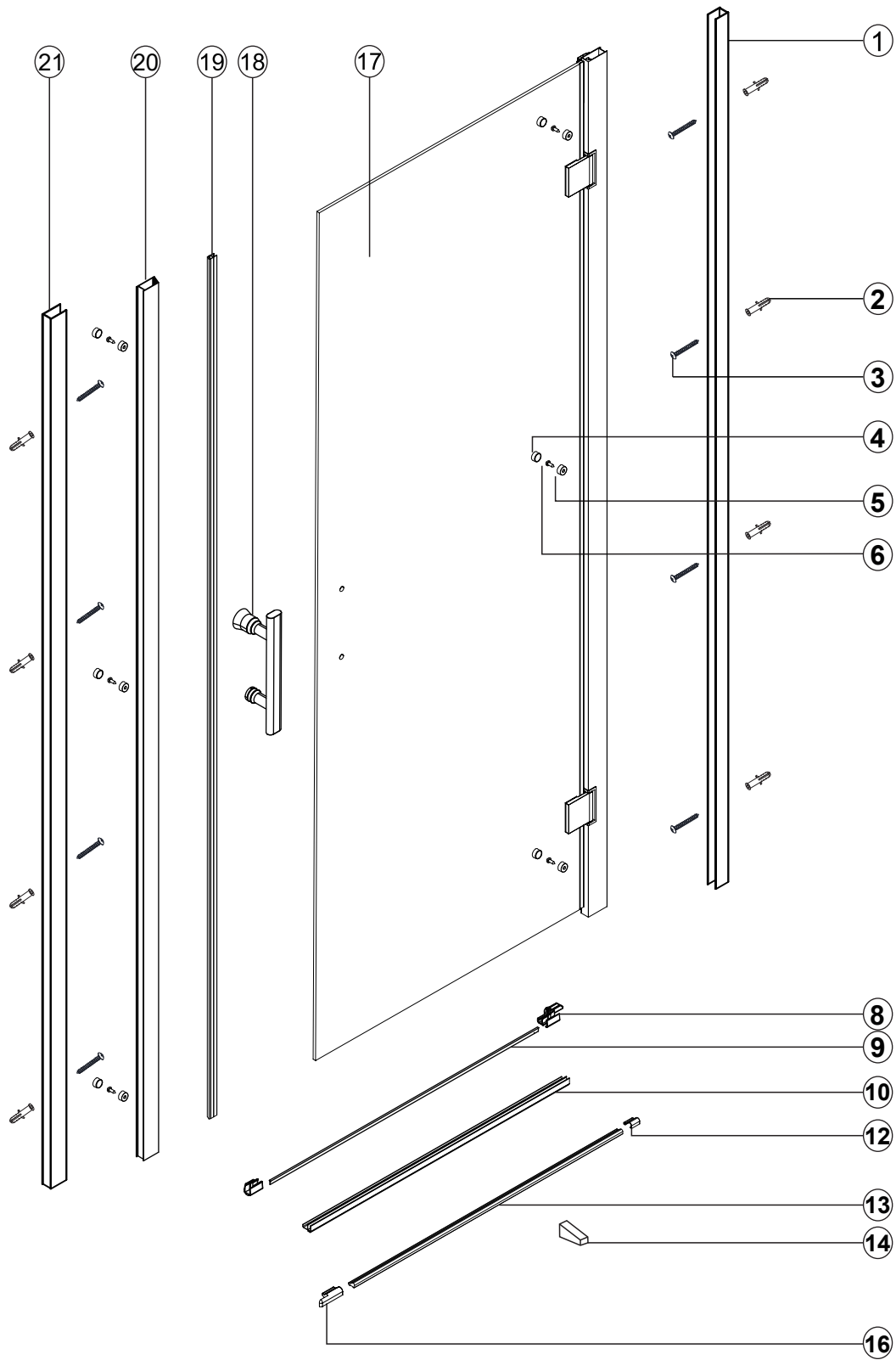
13



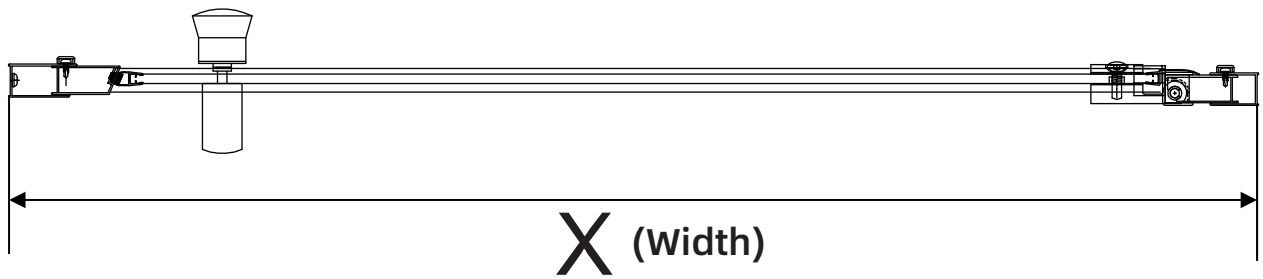
Do not use the shower door at least 24 hours in order to allow the silicone sealant to cure fully



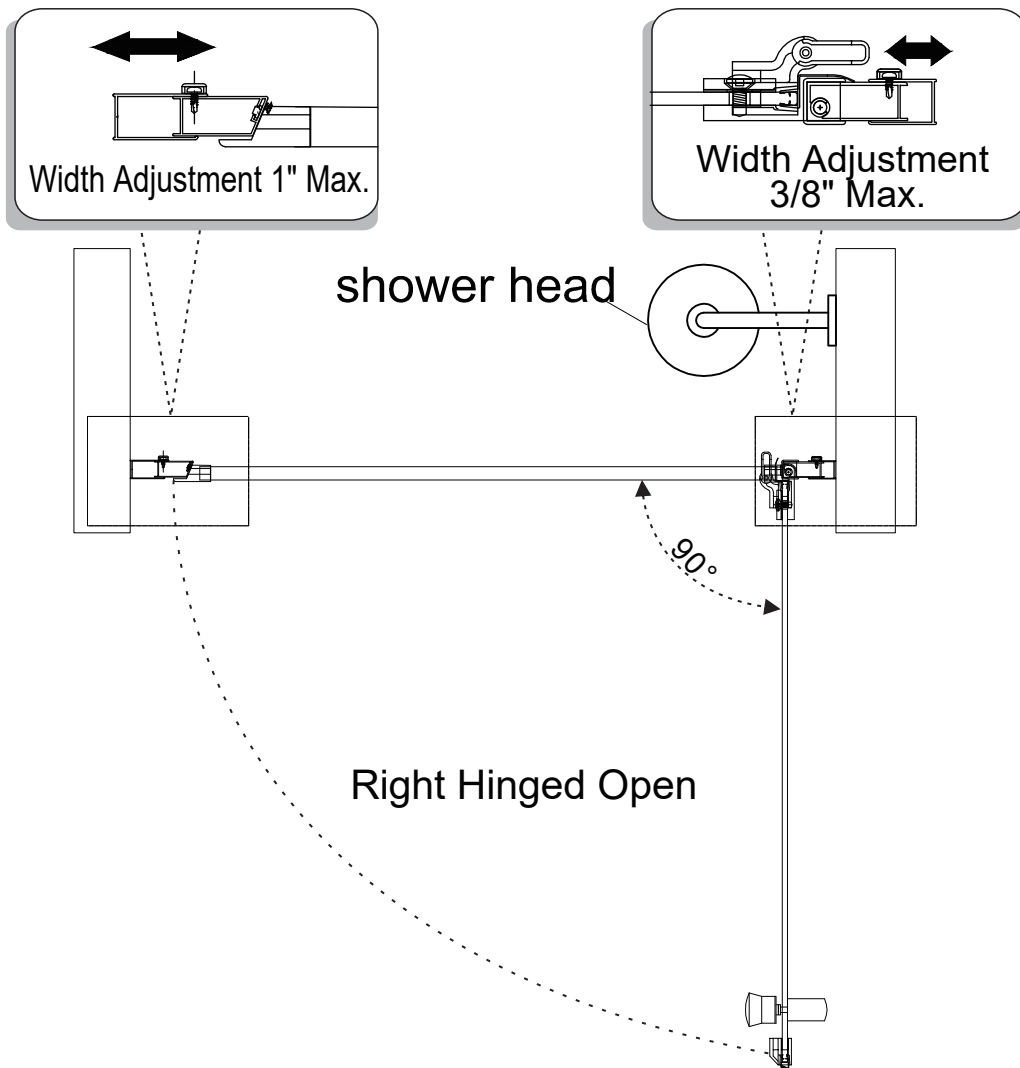
Right Hinged Door

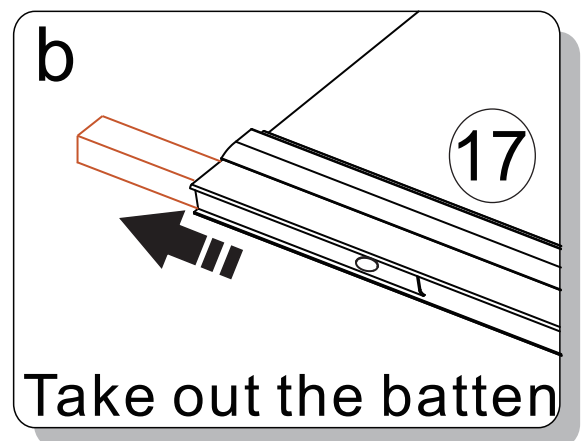
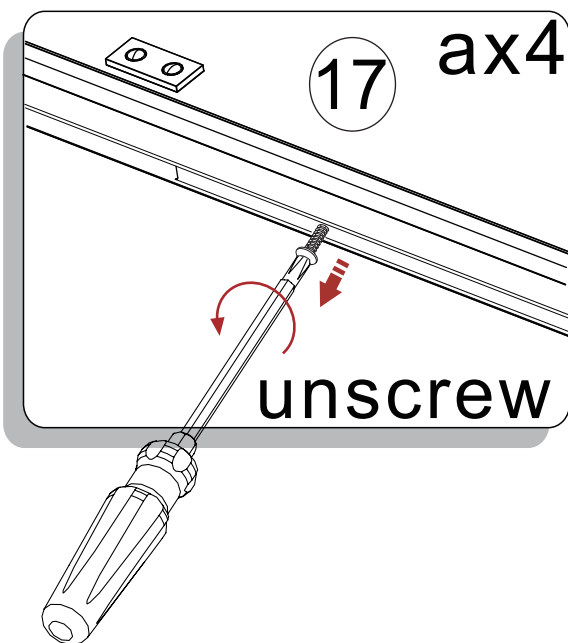
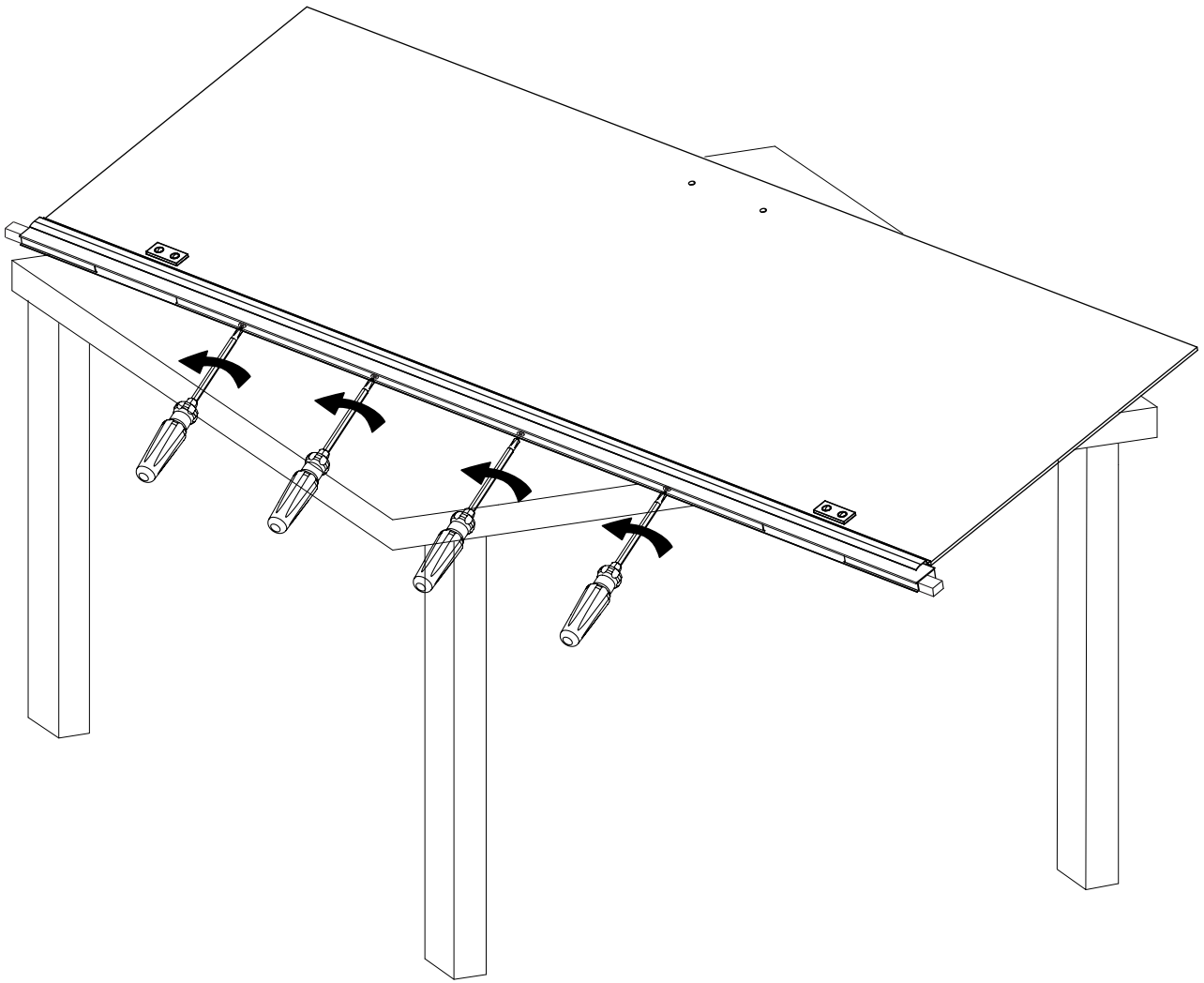


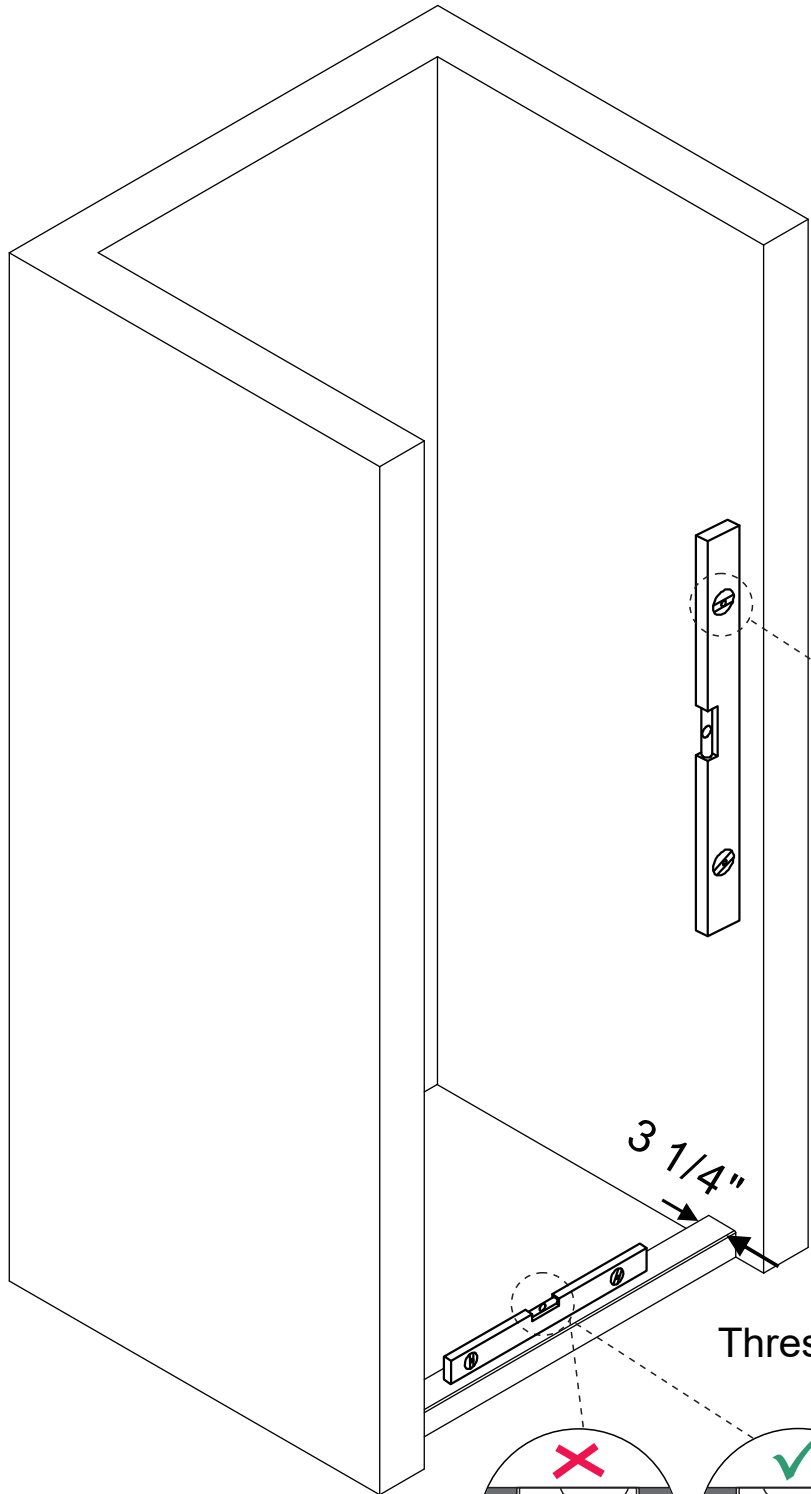
NO.	Picture	Qty	NO.	Picture	Qty	NO.	Picture	Qty	NO.	Picture	Qty	NO.	Picture	Qty
①		1	②		10	③		10	④		8	⑤		8
⑥		8	⑧		1	⑨		1	⑩		1	⑫		1
⑬		1	⑭		1	⑯		1	⑰		1	⑱		1
⑲		1	⑳		1	㉑		1						



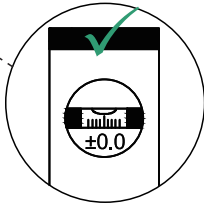
		X (width)	
	Height	Min.	Max.
30"W x 72"H	72"	30"	31 1/4"
32"W x 72"H	72"	32"	33 1/4"
34"W x 72"H	72"	34"	35 1/4"
36"W x 72"H	72"	36"	37 1/4"





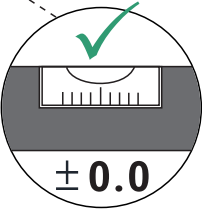
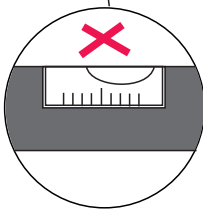


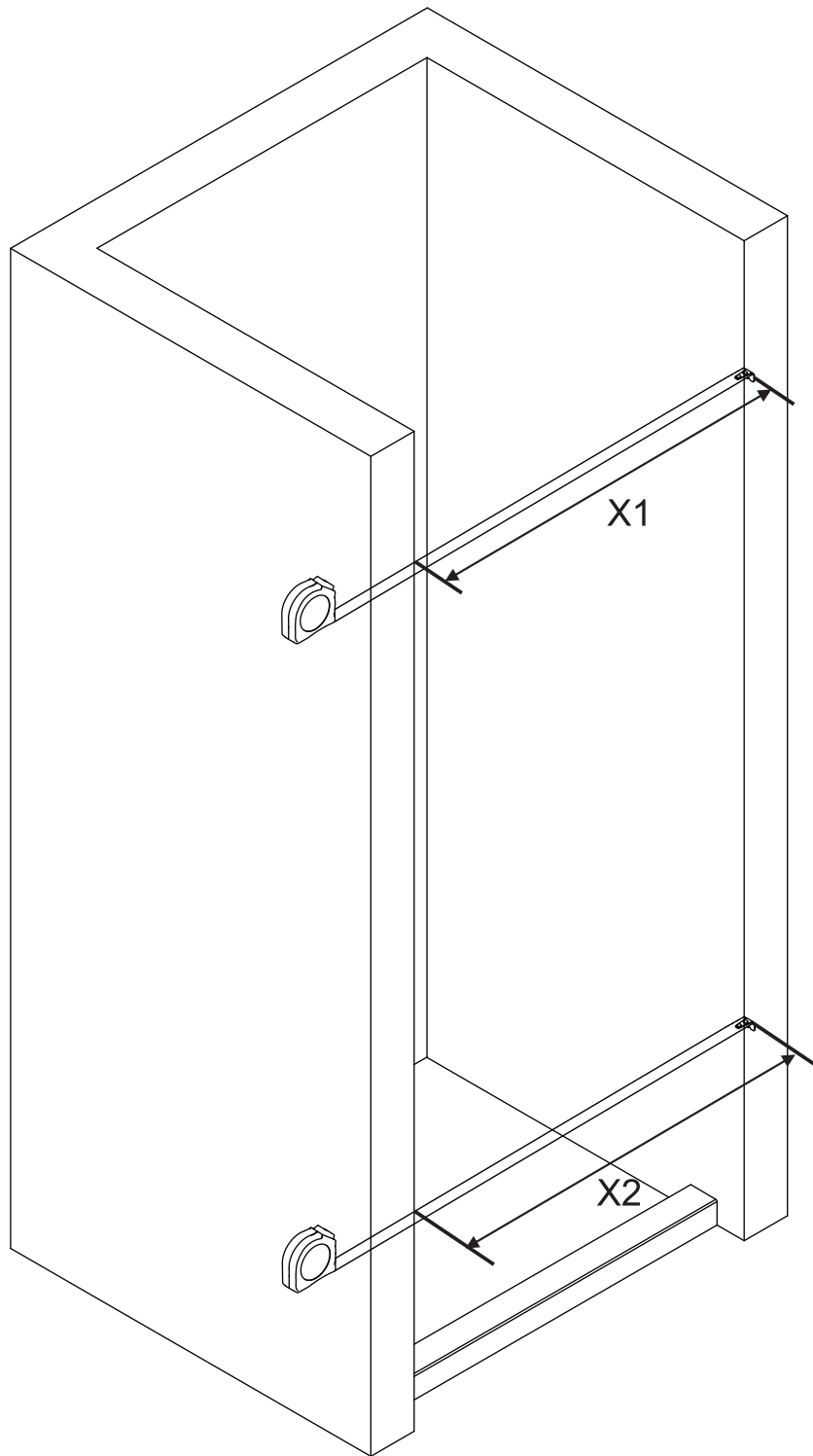
Installation wall
must be plumb



3 1/4"

Threshold







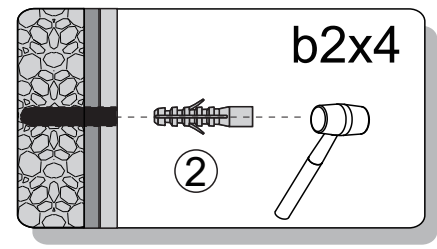
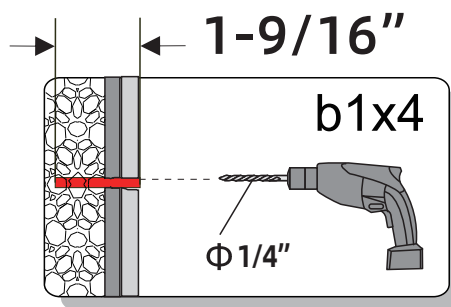
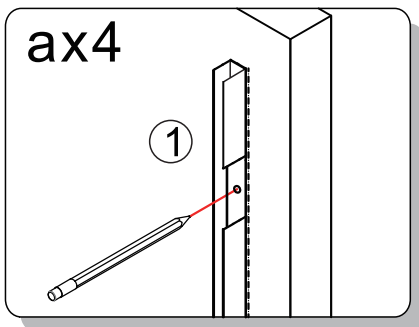
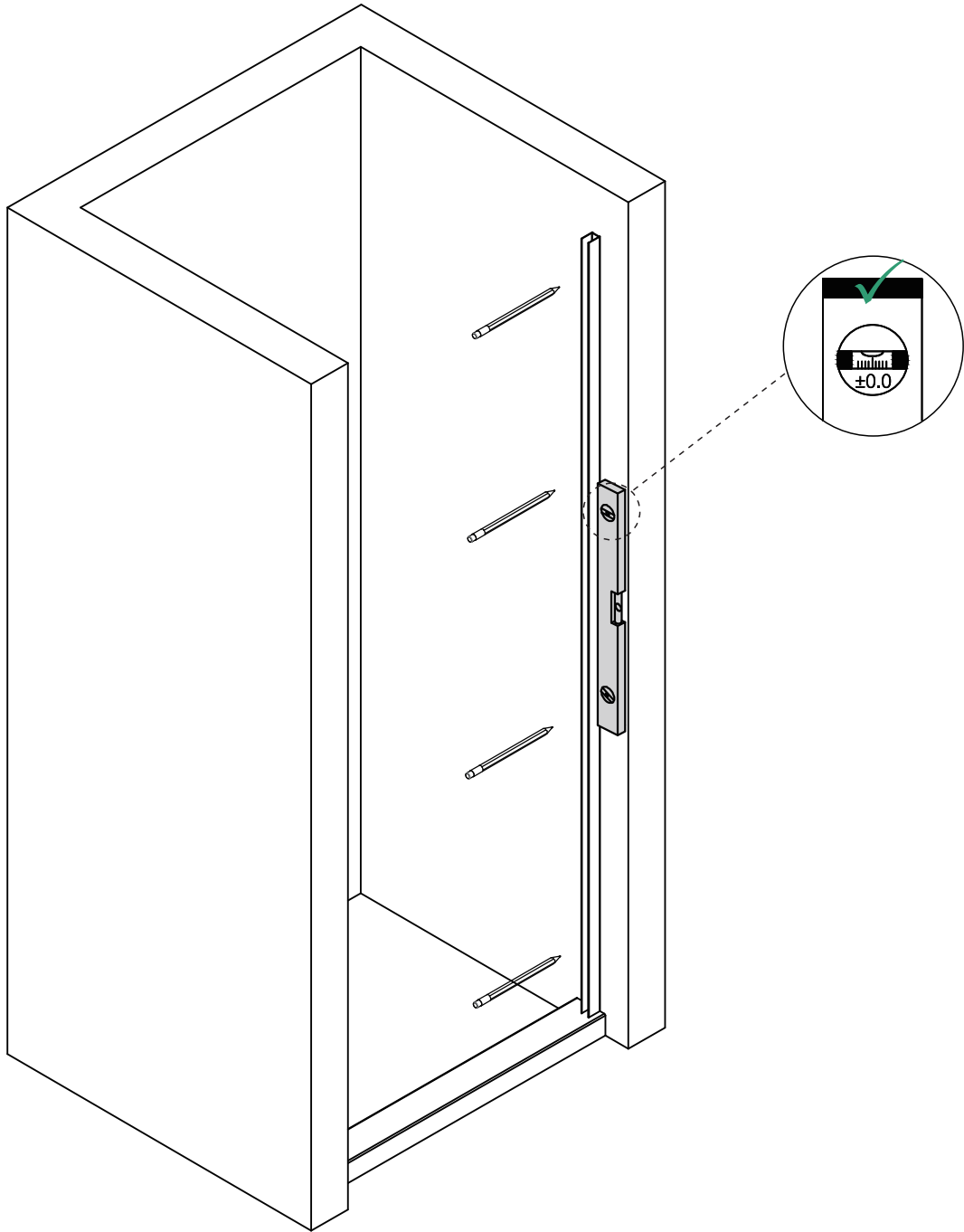
$X1=X2$

If the width of the upper and lower walls is inconsistent, please trim the wall




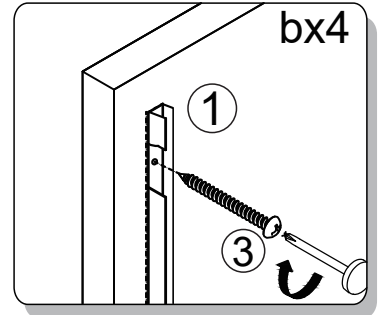
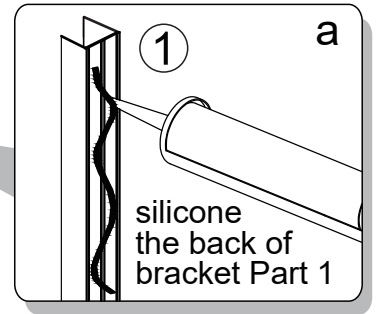
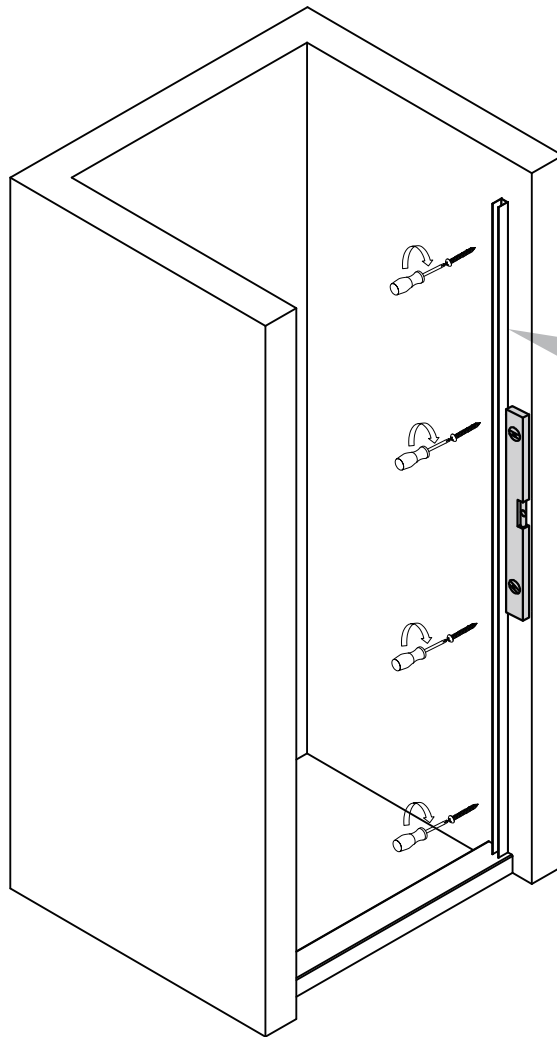
1

NO.	Picture	Qty
①		1
②		4


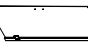


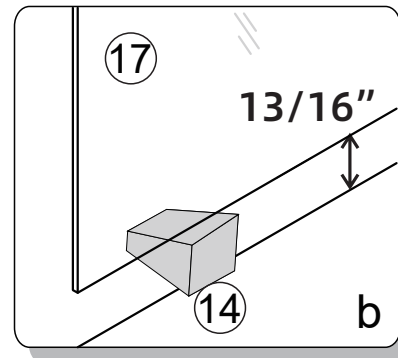
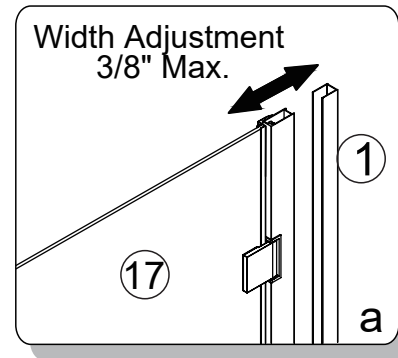
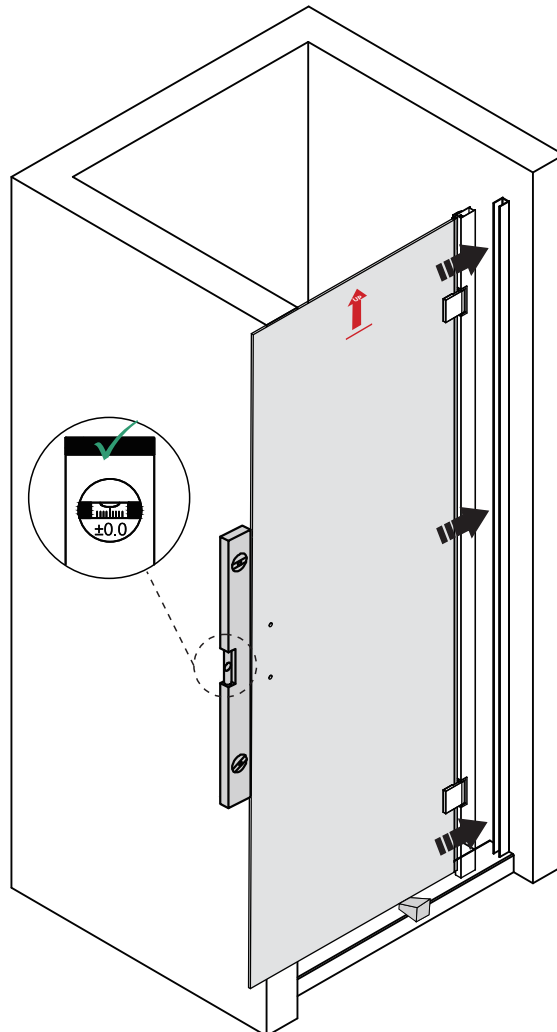
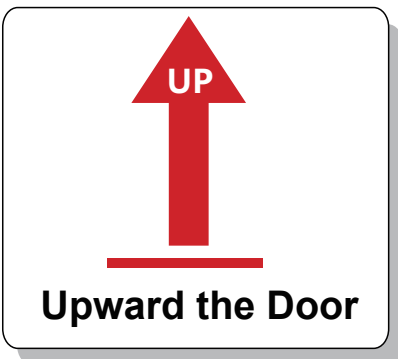
2

NO.	Picture	Qty
3	 $\Phi 3/16''$ D x 1-9/16'' L	4



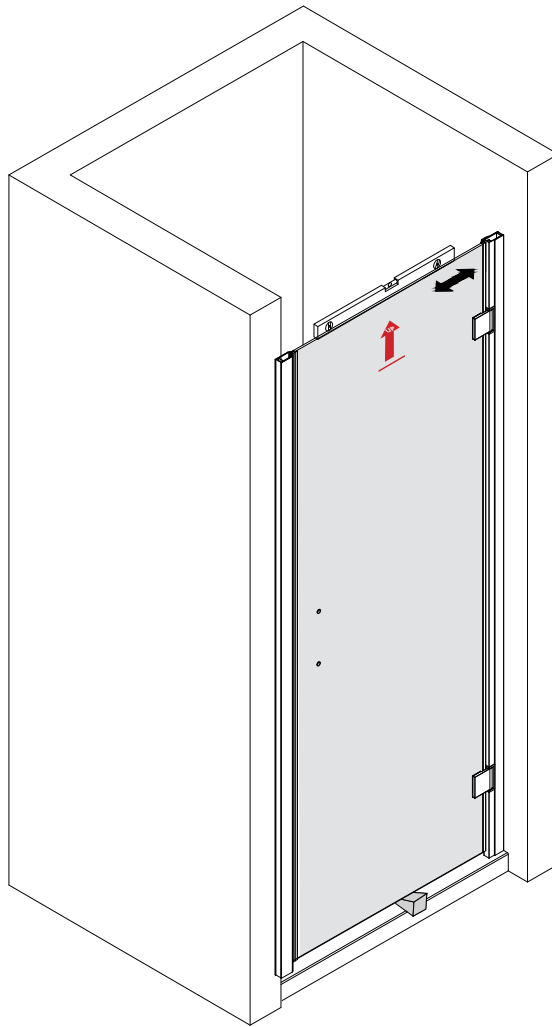
3

NO.	Picture	Qty
14		1
17		1



4

NO.	Picture	Qty
19		1
20		1
21		1



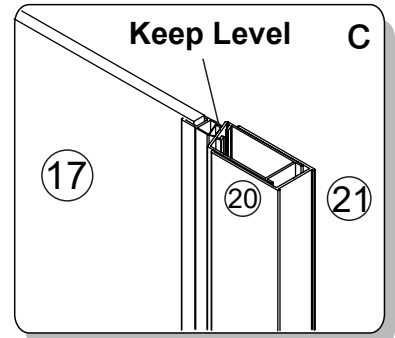
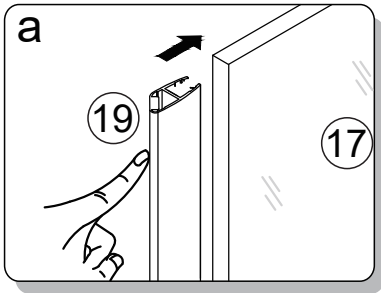
Magnetic Seal
Aluminum channel

21 20

U channel

← inside
→ outside

1" max wall adjustment



5

NO.	Picture	Qty
4		3
5		3
6	$\Phi 3/16'' \text{ D} \times 1/2'' \text{ L}$	3

ax3

! Drill Bit $\Phi = 1/8''$ Only

bx3

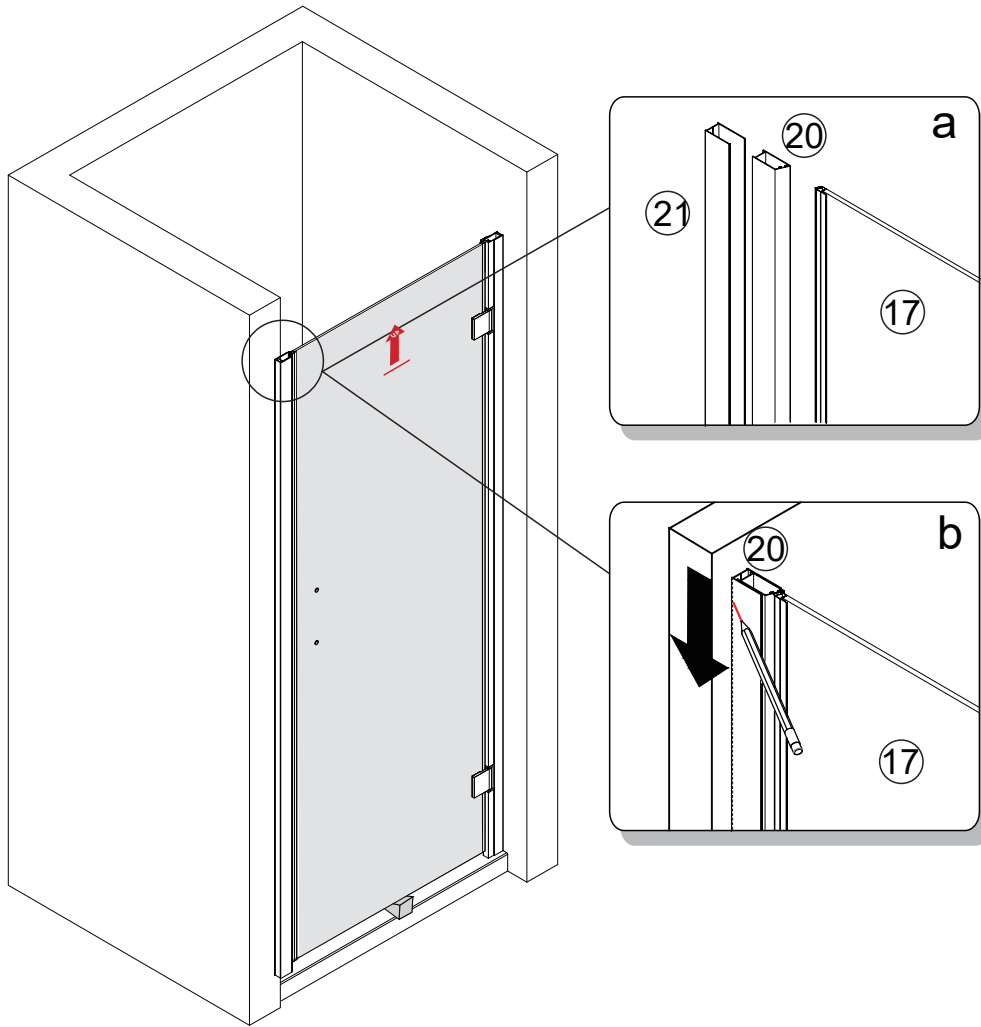
cx3

Inside

Width Adjustment
3/8" Max.

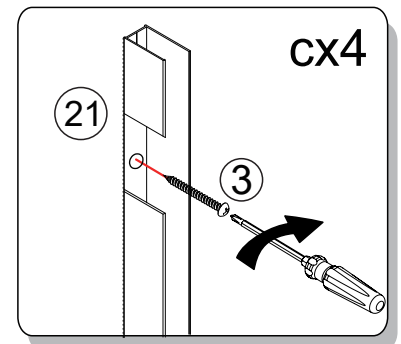
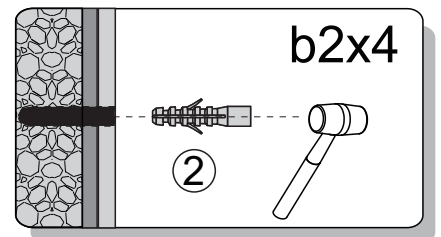
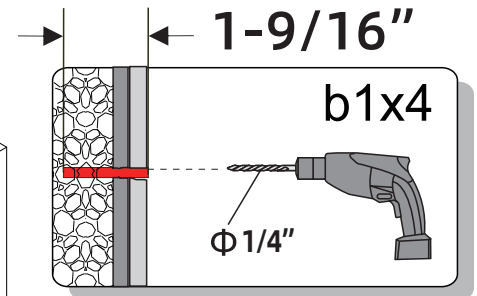
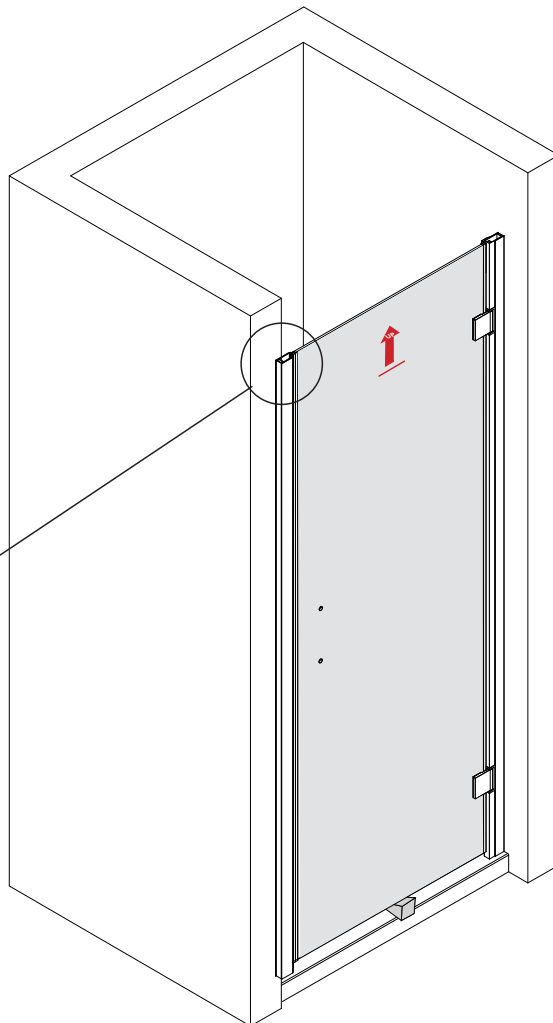
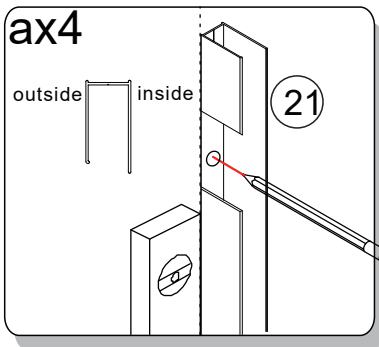
Width Adjustment
1" Max.

6






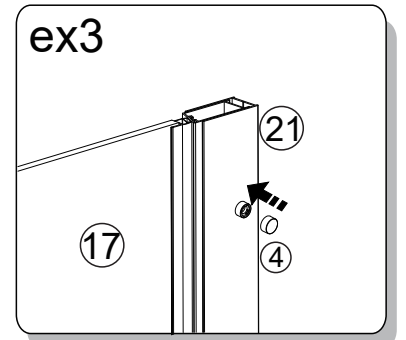
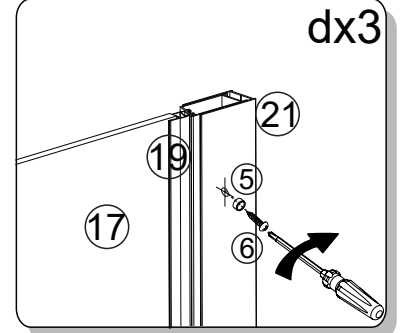
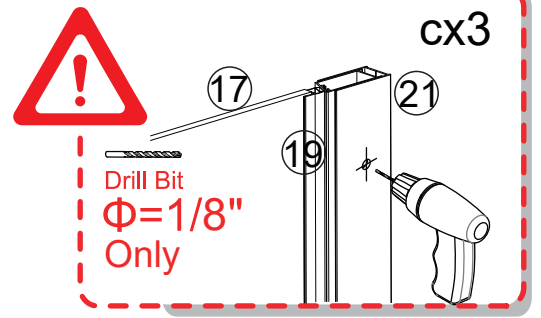
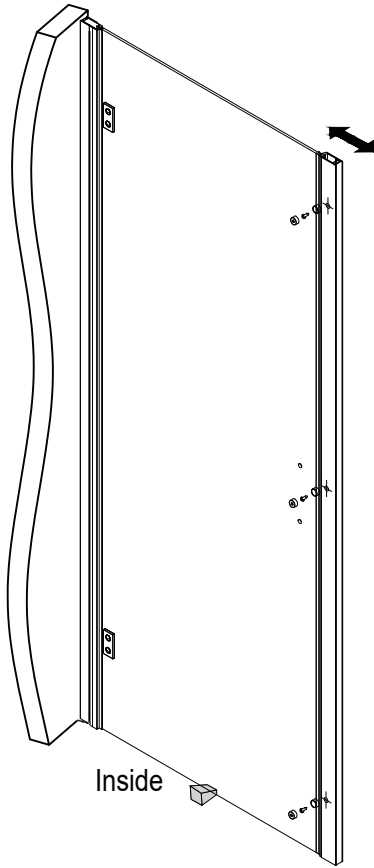
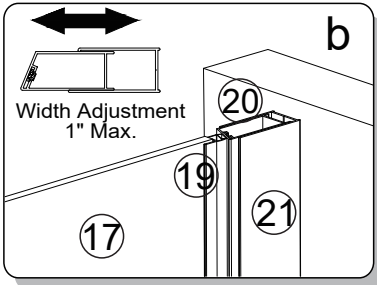
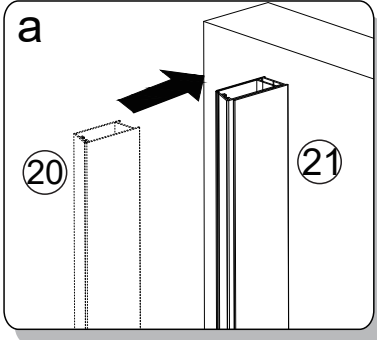
7

NO.	Picture	Qty
②		4
③	 Φ3/16" Dx1-9/16" L	4




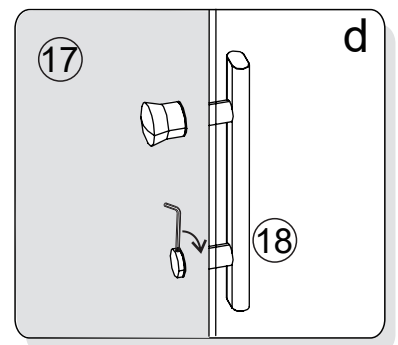
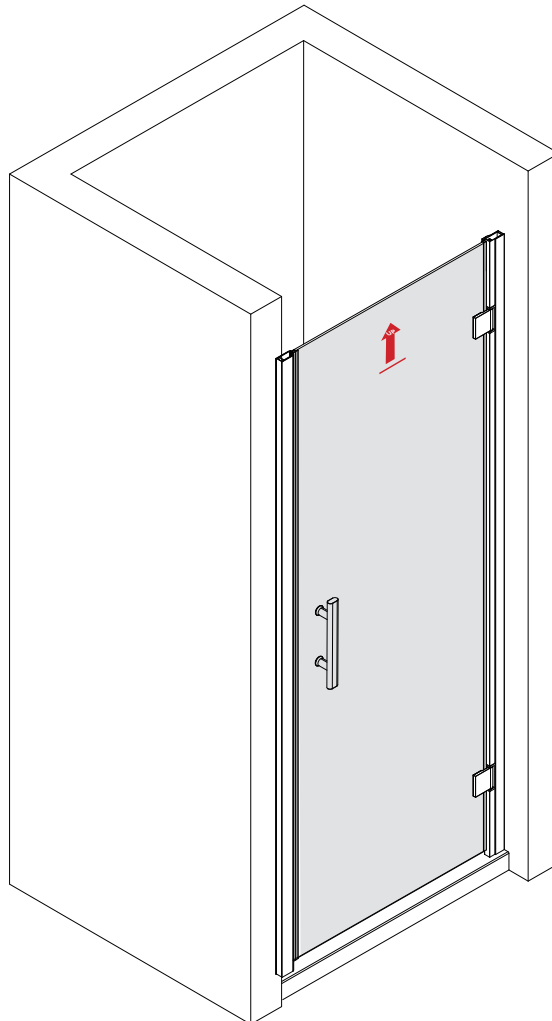
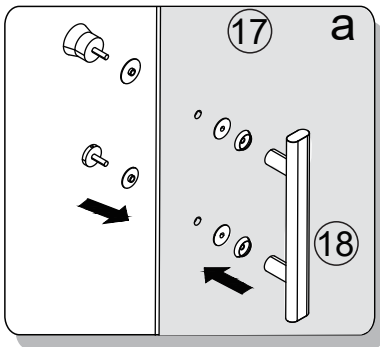
8

NO.	Picture	Qty
4		3
5		3
6	 Φ3/16" D x 1/2" L	3

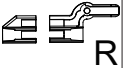
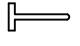



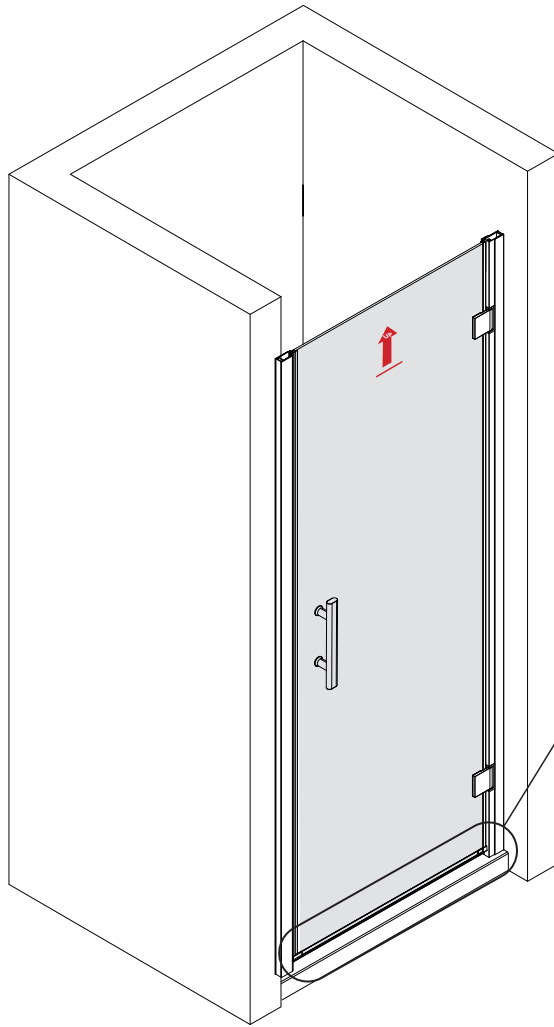
9

NO.	Picture	Qty
18		1

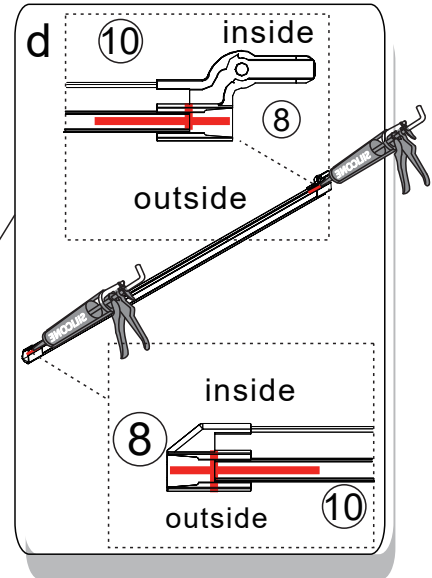


10

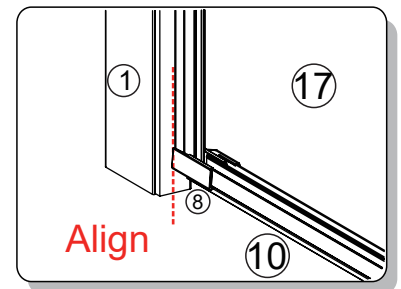
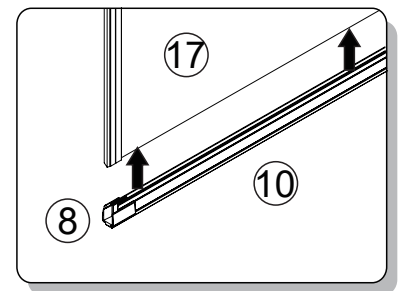
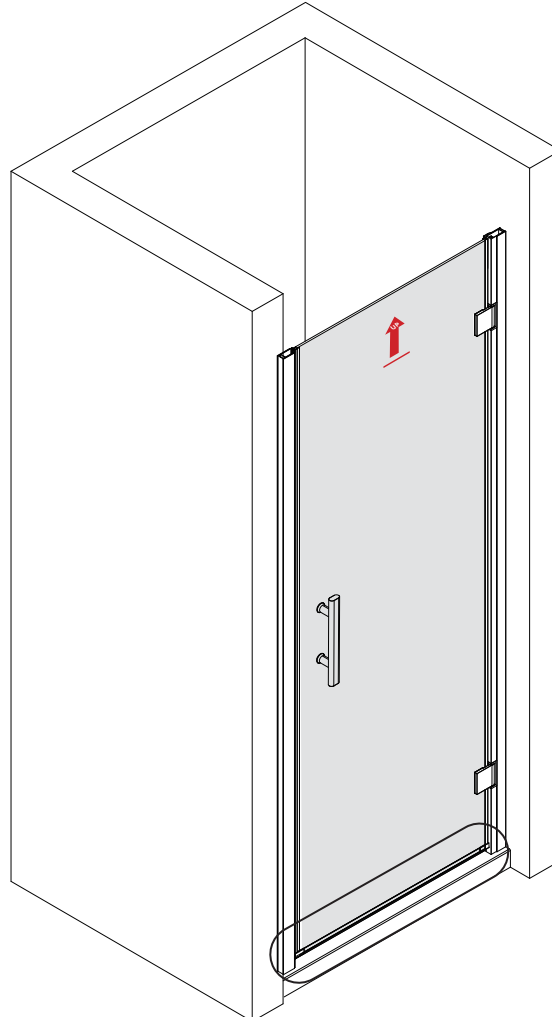
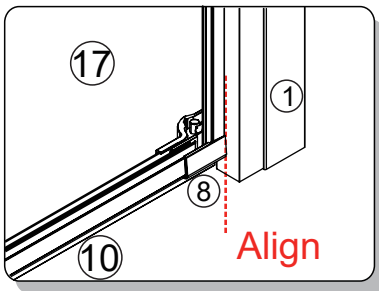
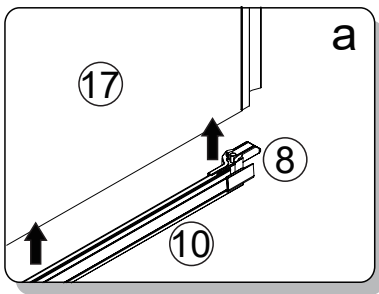
NO.	Picture	Qty
8		1
9		1
10		1






apply silicone sealant carefully to Prevent Water leakage

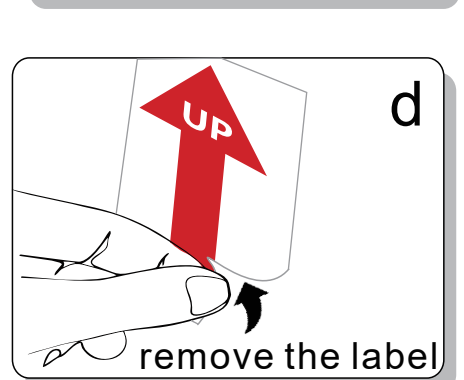
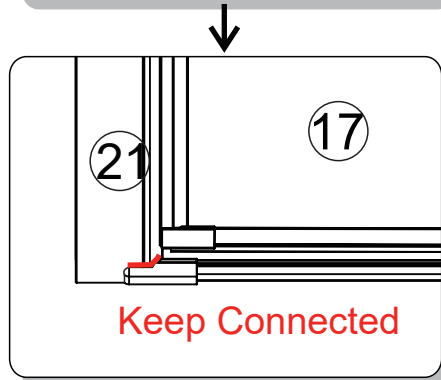
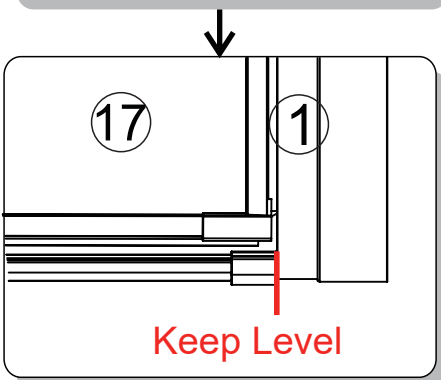
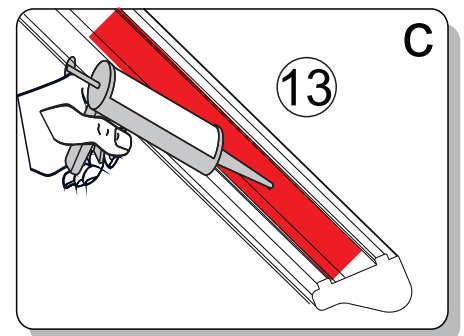
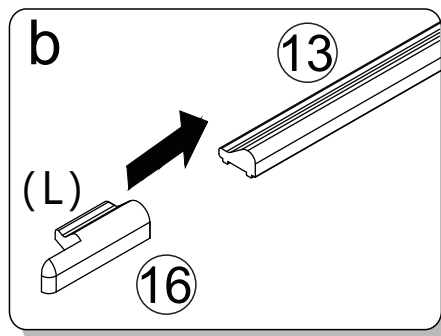
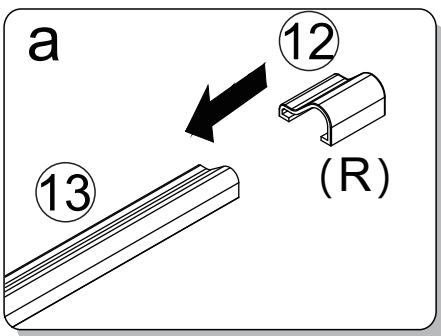
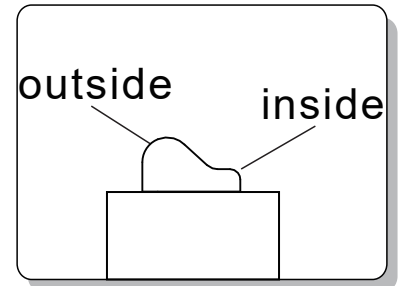
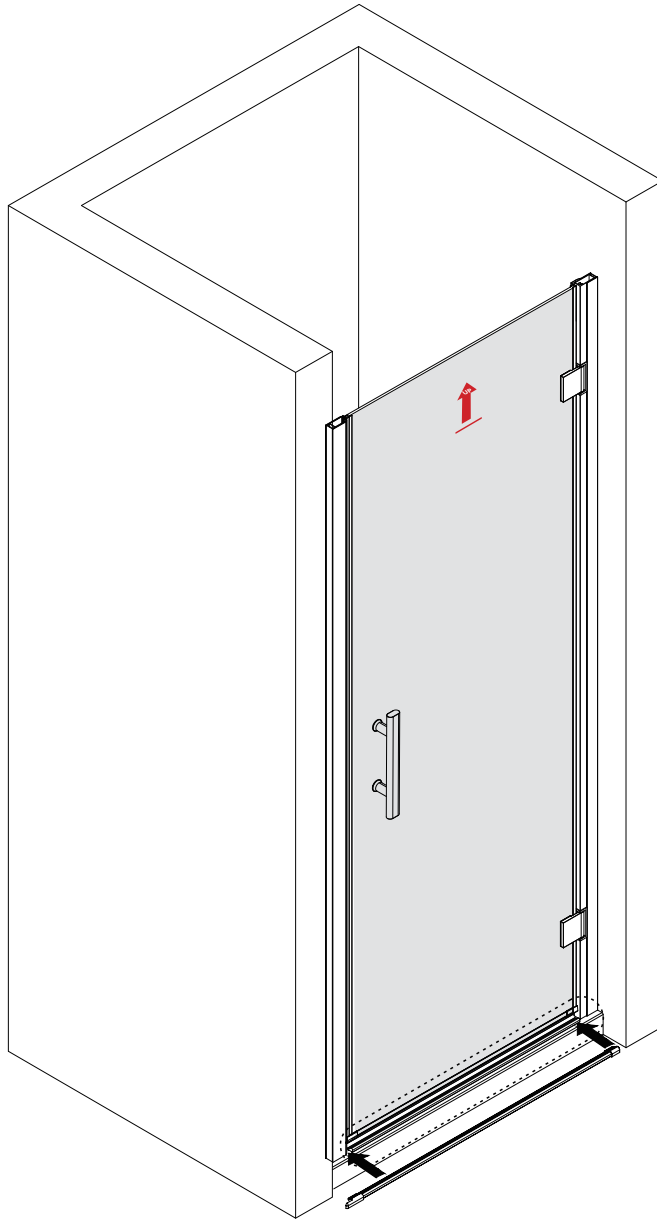


11

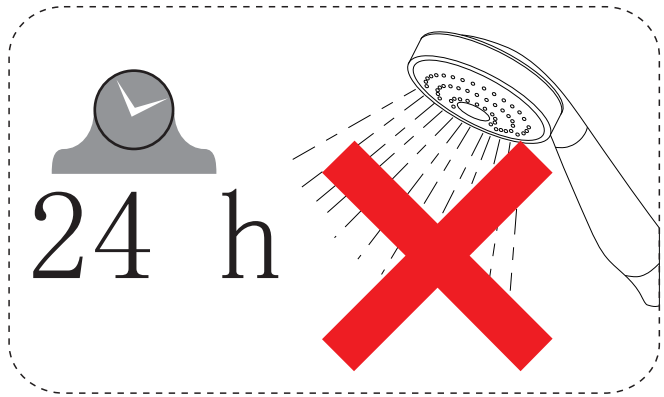
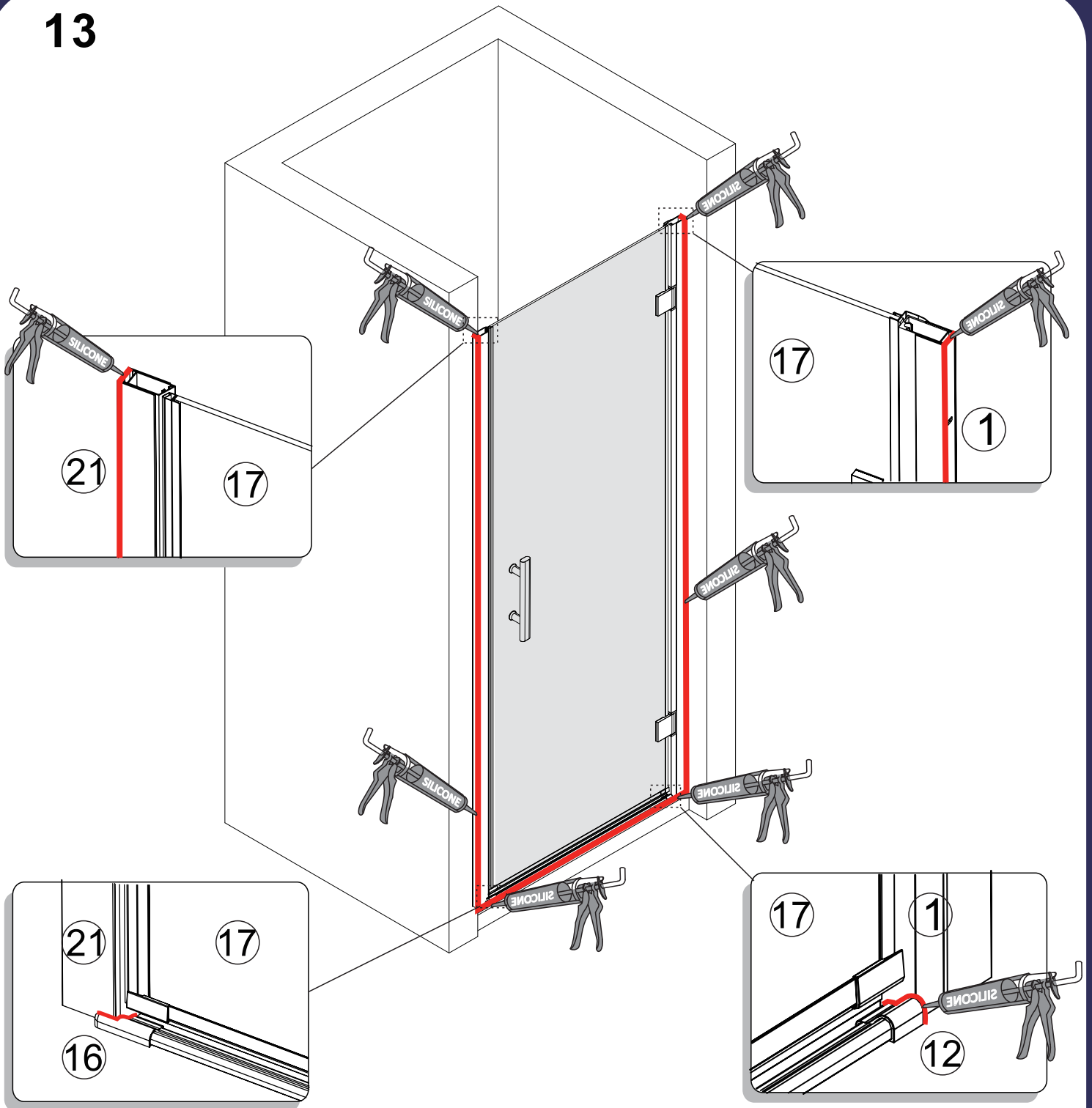


12

NO.	Picture	Qty
12	 R	1
13		1
16	 L	1



13



Do not use the shower door at least 24 hours in order to allow the silicone sealant to cure fully

CARE & MAINTENANCE



The golden rules for care

NOTE: Use warm soapy water and a soft damp cloth to keep the glass clean. Wipe dry with a clean cloth. Glass cleaner can be used if required. Scourers, abrasives and chemical cleaners can damage the glass and pattern, and should not be used.

In hard water areas, insoluble lime salts may be deposited on the glass. If this is allowed to build up it becomes increasingly difficult to remove and looks unsightly. Regular cleaning will minimize this effect.

- Do not attempt to cut the glass.
- Do not strike the glass with hard or pointed items.
- Regularly check moving parts such as rollers and hinges to ensure they are secure and adjusted correctly. Tighten and adjust where required. Also check all sealed joints to ensure seal has not deteriorated. Re-seal if required.

HOME SERVICES



INSTALLATION VIDEO

Missing Part or Defective?

Please Contact the Customer Service Team

 Email: bestgoservice@126.com

 Hotline: 626 679 3588