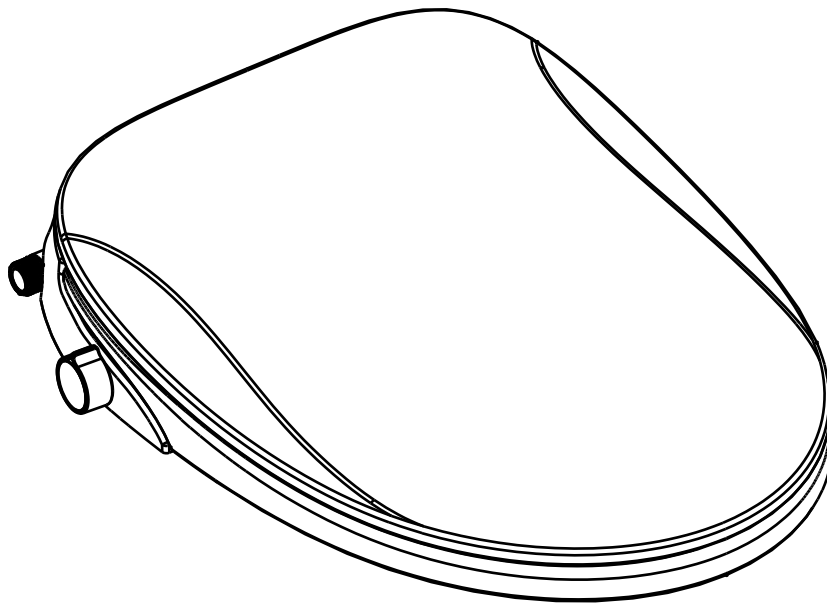


Installation Manual



Toilet Seat with Built-in Bidet

Applicable Model: RX-TS01W



INDEX

1. Installation Preparation	P01-06
2. Installation Instruction	P07-10
3. Maintenance	P11
4. Trouble shooting	P12



Safety precautions

To avoid the damage and asset losing to user and other people, please strictly follow up the safety warning and noting list. Please ensure to carefully read through the user manual before the assembly, and strictly follow up the user manual to do the assembly, please keep the user manual after reading.

The sign and its implication

 WARNING	It means that if you ignore this sign, it may cause personal injury or death.
 ATTENTION	It means that if you ignore this sign, it may cause personal injury or property damage.


The following signs are used to indicate important safety precautions when using the product.

	It means not allowed, forbidden.
	It means the contents that must obey.

- Due to the continuous improvement of our products, we reserve the right of final interpretation of product changes.
- Some characteristics of the product you purchased may be inconsistent with the instructions, subject to physical products.




WARNING


 Prohibited	<p>It is not allowed to continue using if the product has some breakdown Breakdown: product heat abnormally Product has smoking Product has abnormal sound and smell Product has leakage, breaking or damage Toilet pan is blocked, etc.</p> <p>When the breakdown happens, if it do not handle in time and continue using, it might trigger the problems like electric shock, injury, firing or water penetration inside the room etc.</p>
	<p>Banana water, gasoline, putty-powder, nylon brush or other (non-neutral) mundificant is not allowed to clean the plastic parts like toilet seat cover, otherwise it might trigger chemical reaction or leakage, damage the product and cause people injury.</p>
	<p>Loosen electric outlet is not allowed as it might trigger electric shock or firing.</p>
	<p>It is not allowed to pull out and plug in the electric plug by wet hand as it might trigger electric shock or firing.</p>
	<p>It is not allowed to touch the electric plug when it is thundering and lighting as it might trigger electric shock.</p>
	<p>It is not allowed to use other electric resource, the load of using electric outlet could not be too big, as it might trigger firing due to over-heat.</p>
	<p>Detergent, water, wash detergent or urine is not allowed to spot into body and electric outlet, as it might trigger electric shock or firing.</p>
	<p>It is not allowed to let child standing or put heavy goods on the seat and cover, toilet pan or seat body, heavy hitting or knocking is not allowed.</p>
	<p>It is not allowed to disassemble, repair this product, (it must go for professional repair person service if it is necessary to repair), otherwise, it might cause the damage to this product.</p>




WARNING

 Prohibited	<p>Do not randomly damage the electric plug and electric line, if the electric line, electric plug is damaging, please do not use it any longer or change by one self, it must be changed by professional person, otherwise, it might trigger short-circuit, electric shock, firing.</p>
	<p>The stove or lighted cigarette is not allowed to be placed next to the toilet pan, cigarette butt etc is not allowed to be thrown into toilet pan.</p>

 **ATTENTION**

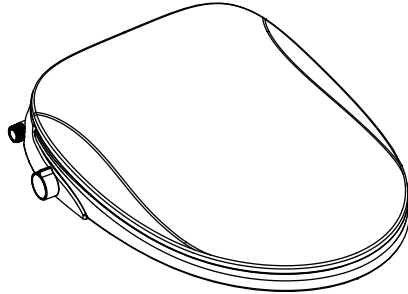
 Please follow the rules	<p>When using in shower room, please install air exchange equipment to ensure the airy and drying in the shower room. This product is electric products, it is not allowed to install it in the place that is easy high wet, easy split by water, otherwise it might trigger electric shock or fire.</p>
	<p>Fix the body of this product firmly to the assembly plate of toile pan from front to rear, until you hear “clicking” , softly pull up the seat cover to ensure that it is already fix into the toilet pan and not drop off from plate, otherwise it might cause people injury, weaken the function.</p>
	<p>Please ensure to cut off the electric power before taking off this product, otherwise it might trigger electric shock or fire.</p>
	<p>Please ensure to cut off the electric power before washing this product, must not use water to directly wash this product, otherwise it might trigger the electric shock or fire.</p>
	<p>Please put and use this product in the shadow, must not put directly beneath the sun, otherwise it might cause the color-fading, or let the sunlight burn the surface of product due to the un-stability of temperature.</p>
	<p>Someone with heart-disease need to carefully and cautiously use this product, or use it under the guardian person.</p>
	<p>Do not use industrial water, wastewater, seawater, reclaimed water and other sewage, otherwise it may cause skin inflammation and other problems.</p>

 **ATTENTION**

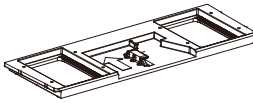
 Please follow the rules	<p>Persons (including children) with physical, perceptual, intellectual disabilities or lack of experience and common sense need to use the product under the guidance or supervision of someone else, or they may cause electric shock, injury or fire.</p>
	<p>Must notice the assembly location of electric wiring plug, electric plug need to use the water-proof plug; Assembly location of electric plug must be over 0.5m above the floor, and far away from shower, bathtub, otherwise it might cause electricity leakage.</p>
	<p>When installing this product, please remove the old hose assemblies owned by users and install them with new hose assemblies. Do not reuse the old hose assemblies to avoid related safety problems.</p>
	<p>It is not allowed to let child to play this product, child is not allowed to use or touch this product alone.</p>
	<p>The grounding wire of this product must conform to the stipulated construction mode, and the three-level grounding structure must be grounded, otherwise the use of this product is prohibited.</p>
	<p>Electric plug need to plug in the electric with air switch.</p>

Parts list

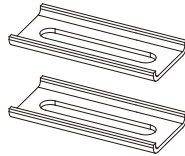
MAIN ENGINE



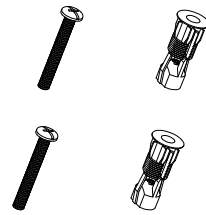
FAST MOUNTING PLATE



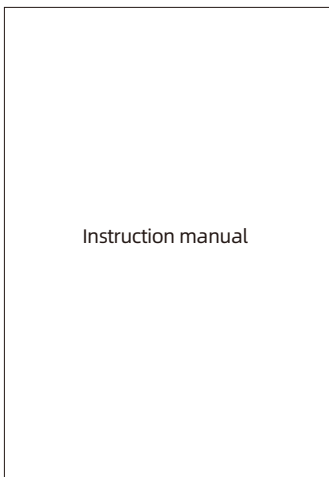
ADJUSTMENT SHEET (2pcs)



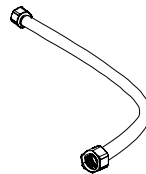
EXPANSION SCREW COMPONENT (EACH 2pcs)



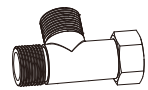
INSTRUCTIONS



WATER INLET HOSE



TEE-JUNCTION COMPONENT(1pcs)

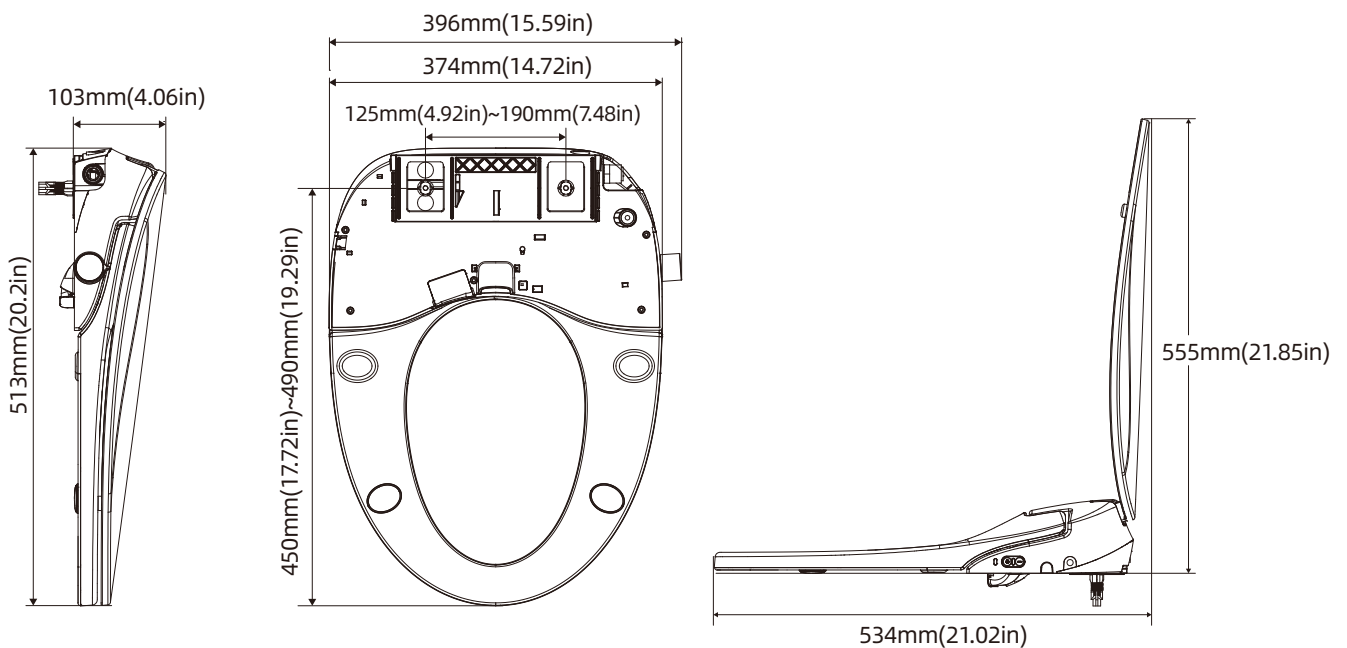


Specification

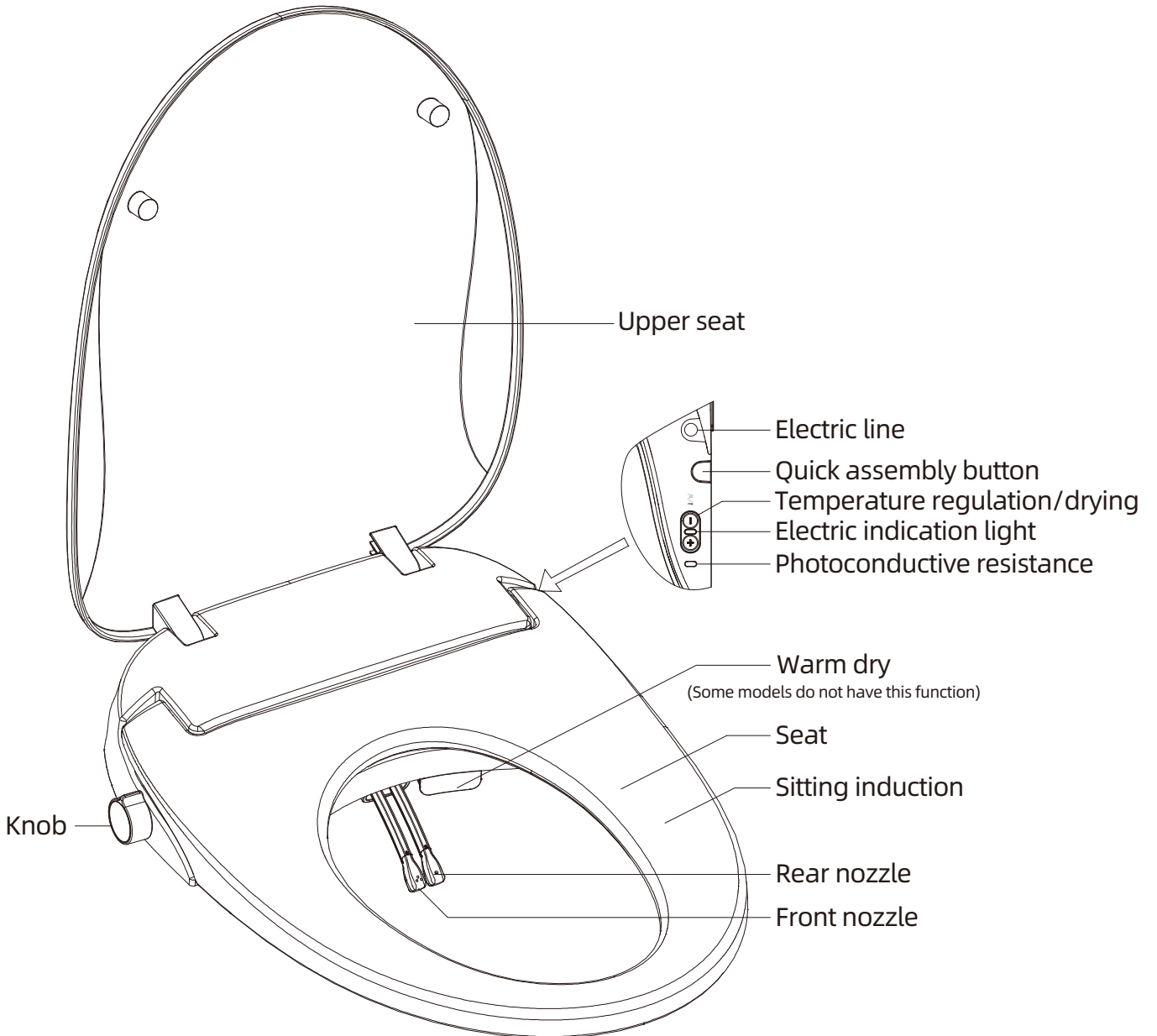
Rated voltage and rated frequency		100-130V~ 50/60Hz	
Water effluent temperature		About 89.6°F~107.6°F	
Drying temperature control (Some models do not have this function)		About 89.6°F~134.6°F	
Seat surface temperature		Room temperature~About 105.8°F	
Upper seat closing way		soft close	
Rated power	1260W	Max power	≤1800W
Supply water temperature	39.2°F~95°F	environment temperature	37.4°F~104°F
Water proof level	IPX4	Product size	513*396*103mm
Supply water pressure	0.07MPa (dynamic pressure) ~0.75MPa (static pressure)		

※1: The rated power: water pressure is 0.18MPa + 0.02MPa under the ambient temperature of 73.4°F±35.6°F, And under the condition of 59°F±32.9°F water-inflow temperature, heighten the water quantity, the seat temperature and the water temperature in turn, to stat the posterior cleaning (2 minutes) in a average power.

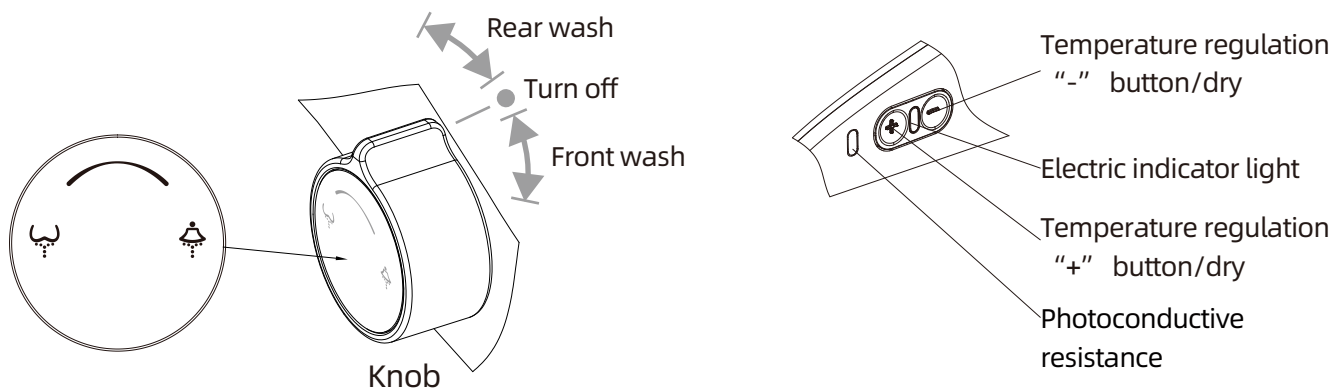
※2: Maximum power: water pressure is 0.18MPa+0.02MPa under the ambient temperature of 73.4°F±35.6°F, And under the condition of 41°F±33.8°F water-inflow theperature, heighten the water quantity, the seat temperature and the water temperature in turn, to start the feminine cleaning (2 minutes) in a average power.



Parts name



Knob and button functions instructions



Electricity on

Rear wash: when sit on the seat, rotate the knob back to rear washing area to turn on the rear washing function, rotate inside the rear washing area to control the water volume, press shortly the left side button "+" / "-" to adjust water temperature, total 3 levels.

Front wash: when sit on the seat, rotate the knob forward to front washing area to turn on the front washing function, rotate inside the front washing area to control the water volume, press shortly the left side button "+" / "-" to adjust water temperature, total 3 levels.

Turn off: rotate the knob to turn off position to stop rear washing/front washing.

Drying: when sit on the seat, press 3 seconds the left side button "-" to turn on the drying function, then press shortly the left side button "+" / "-" to adjust air temperature, total 3 levels. And then press 3 seconds again the left side button "-" to turn off the drying function (Some models do not have this function).

Seat heating: under non-washing/non-drying condition, press button "+" / "-" to adjust seat temperature, total 4 levels (including heating turn off).

- ※ Seat Sensor Sound: Default seating is off. Press and hold the "+" button for 3 seconds to emit a short beep sound to turn on. Press and hold the "+" button for 3 seconds to emit a long beep sound to turn off.
- ※ If the human body leaves the seat ring in the rear wash/front wash state, the machine will retract the spray rod to judge whether the switch is closed or not every 20 seconds, and "beep" to call the alarm, indicating that the hip wash switch and woman wash switch are not closed until the user turns the knob back to the middle position.
- ※ "Buzz" is used to indicate that the limit gear has been reached when the key "+" / "-" is used to adjust the temperature.
- ※ In the non seating state, press and hold the "-" key for more than 3S to turn off / on the night light function.

Electricity off

Rear wash: rotate the knob back to rear washing area to turn on the rear washing function, rotate inside the rear washing area to control the water volume, (no water heating function, button "+" / "-" cannot work).

Front wash: rotate the knob forward to front washing area to turn on the front washing function, rotate inside the front washing area to control the water volume, (no water heating function, button "+" / "-" cannot work).

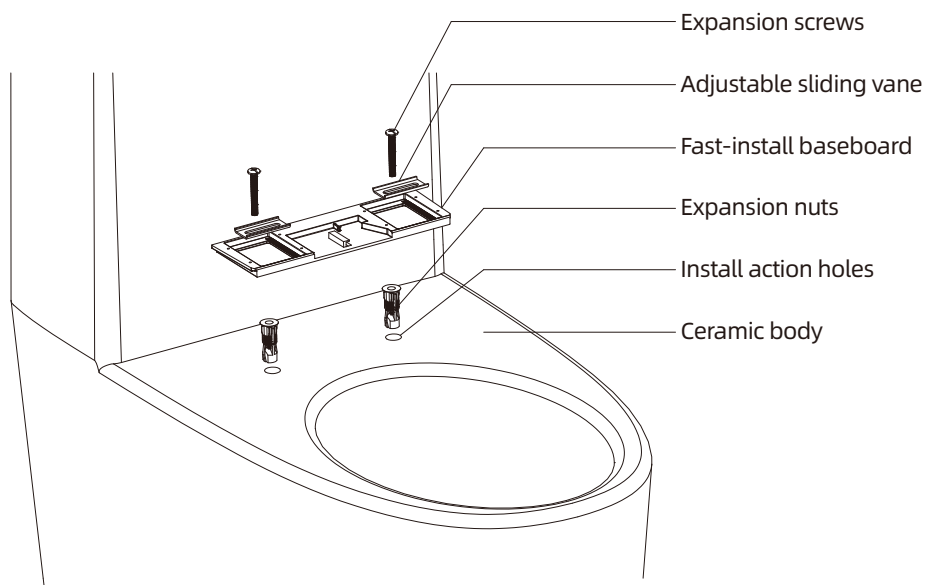
Turn off: rotate the knob to turn off position to stop rear washing/front washing.

Drying: there is no drying function, button "+" / "-" cannot work (Some models do not have this function).

Seat heating: no seat heating function, button "+" / "-" cannot work.

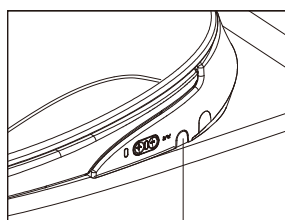
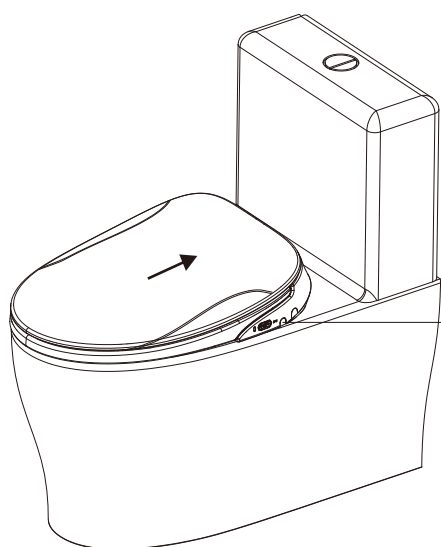
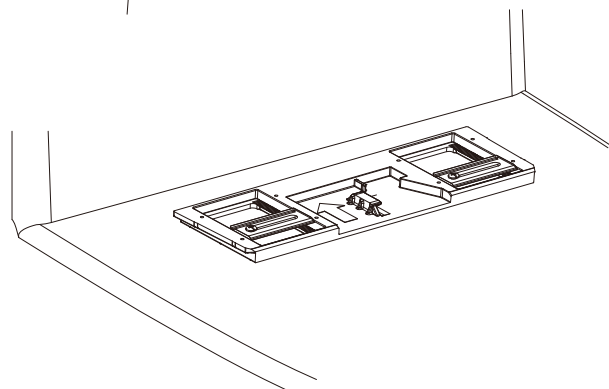
- ※ If people leave the seat under the rear washing/front washing condition (there is no buzzing alarming function under the electricity off condition), nozzle will continue to spray water to toilet pan until people rotate it to middle position, and product will be back to regular.

Product installation



【Tips】

- 1、 Put expansion nuts into installation holes;
- 2、 Put fast-install baseboard on installation holes;
- 3、 Put adjustable sliding vane on fast-install baseboard;
- 4、 Fix adjustable sliding vane and baseboard to ceramic body through expansion screws.



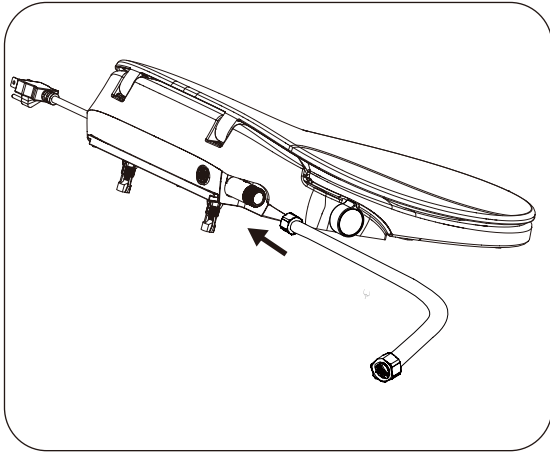
Fast-install button

Put the cover seats in direction of fast-install baseboard, and push cover seas as the arrow shown.cover seat is installed after sounded.

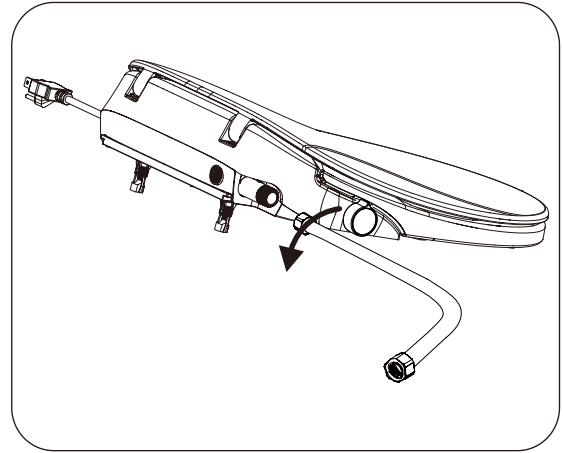
※ Tips for installation of fast baseboard

- 1、 Install the baseboard and cover seat ont fully tightened and adjust the position.
- 2、 Take out the cover seat after press the button again.
- 3、 Fix the baseboard, then install the cover seat.

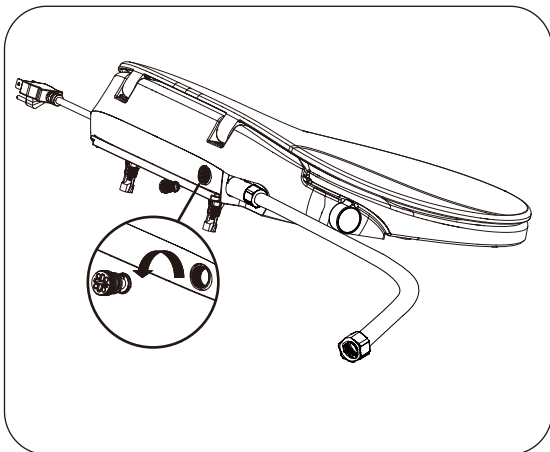
Assembly of inlet hose and filter



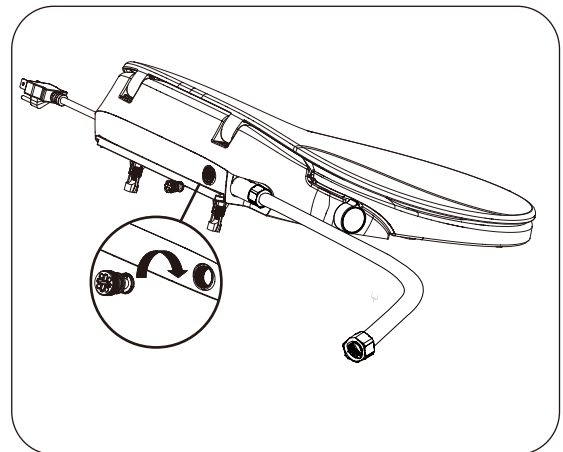
① Screw the Water Inlet Hose into the water inlet of the product.



② If the Water Inlet Hose needs to be removed, please remove by rotating the connector in the direction of the arrow shown above, counter-clockwise.

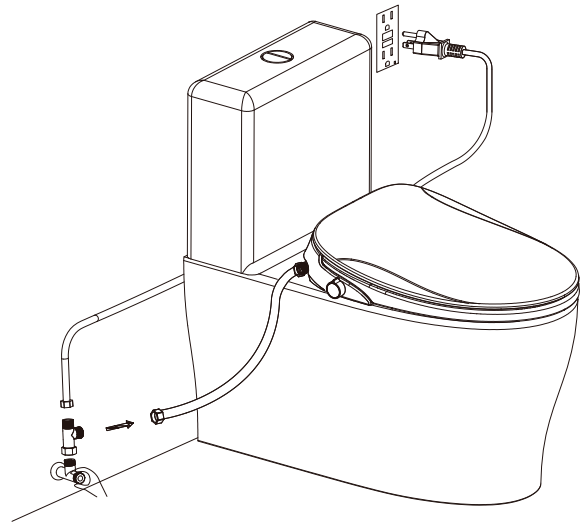
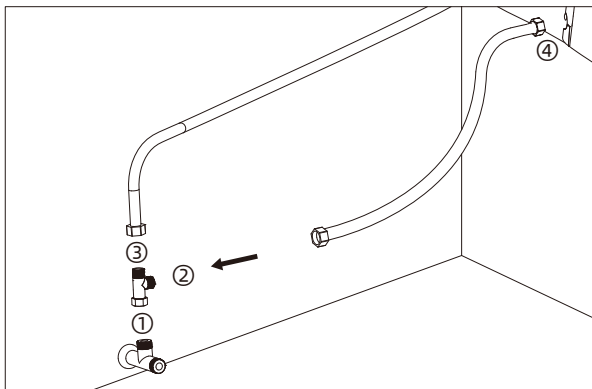


③ Rotate the filter screen counter-clockwise to remove from the eBidet. Use clean water or a damp rag to clean the filter screen.



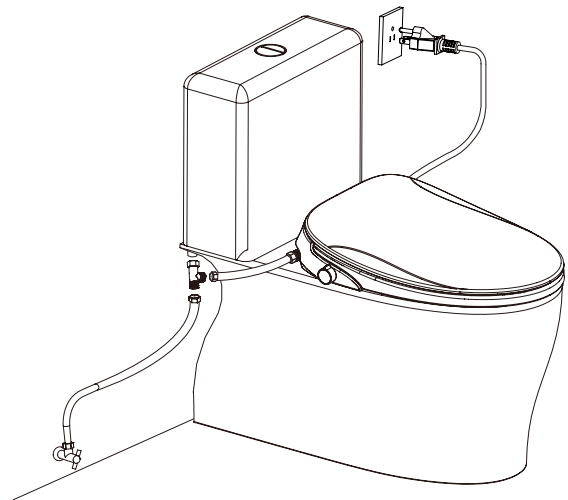
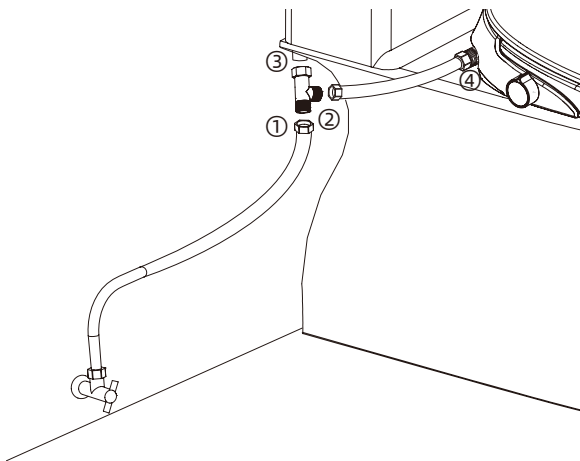
④ To install the filter screen, rotate the filter screen clockwise into the eBidet.

Water supplied by connecting products



Method 1:

1. Connect the T-Valve Adapter to existing water supply shut off.
2. Connect the Water Inlet Hose to the T-Valve Adapter.
3. Connect existing toilet supply line to the top of the T-Valve Adapter.
4. Connect the other end of the Water Inlet Hose to the eBidet.



Method 2:

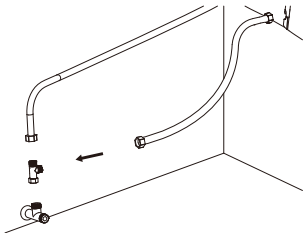
1. Attach the water supply hose to the bottom of the T-Shaped Connector.
2. Connect Water Inlet Hose to the side outlet of the T-Shaped Connector.
3. Attach the T-Shaped Connector to the water tank where you removed the water supply hose.
4. Connect the other side of the Water Inlet Hose to the eBidet.

※ WARM PROMPT

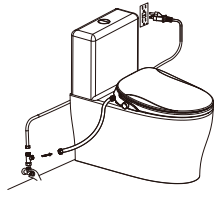
The products has been test by water , and it is normal if dropping out little amount of water when taking out products.

※ After finish installation , turn on the inflow valve to make sure that the seat sensor is sensible , and then press each button to check if the toilet is worked after sitting induction is ok.

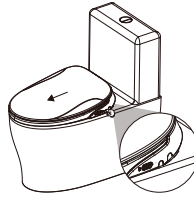
Cleaning



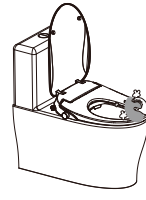
① Close the water-inflow valve.



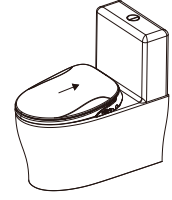
② Pull the plug and then unscrew the hose.



③ Press the quick installation button and take off the seat cover.

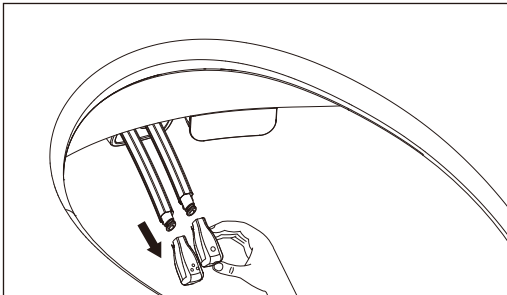


④ Wipe the seat cover with a sponge or a smooth cloth dipped in soapy water or neutral detergent.

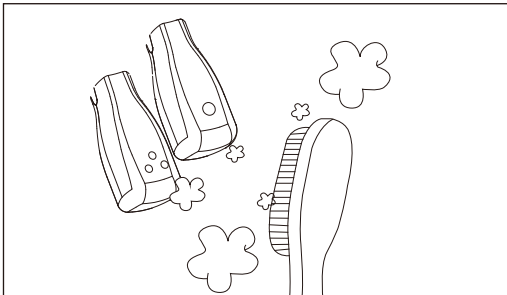


⑤ Install the seat cover.

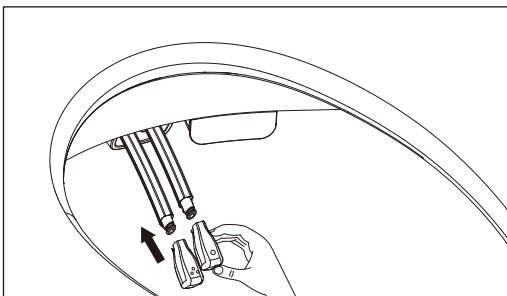
Nozzle washing



① Under the non-working condition, pull out separately the nozzle rod from rear washing and front washing, and then take off the nozzle from nozzle rod



② Use toothbrush, sponge or smooth rag with soap water or neutral detergent to clean nozzle and hose



③ Pull out separately again the nozzle rod from rear washing and front washing, and then assemble the nozzle to nozzle rod

※ Warming reminder

Please do not use non neutral detergent like hydrogen chloride, diluting agent, insecticide, sand paper or rough rag to clean.

Common troubles and shooting

Phenomenon	Reasons	Measures
product cannot work normally	check if electric line insert well or if the electricity leakage protector is off	electrify
<ul style="list-style-type: none"> ▶ rear washing ▶ front washing not reaction after pressing the button function of rear washing or front washing or drying.	nozzle do not run out;	check if no water supply, if so, rotate the knob to off and wait until it is re-starting the water supply
	nozzle run out but no water spray, or with little water spray	Do not rotate the knob into correct position
		If the inlet valve is under the off condition, if so, please turn it on
		If the inlet valve filter is block, if so, please clean the filter or replace one
	water temperature set-up is relative low	use side button to adjust the washing water temperature
when sitting on the seat, the sensor do not sense	sensor might not detect someone is on seat, please sit on the seat following the correct way	
nozzle washing suddenly stop	user might move too fast or leave the seat, the sensor can not detect if the user is on the seat in short time	user re-sit on the seat and need to set on the sensor area, then re-press the button of rear washing or front washing to start the washing.
the water pressure of rear washing or front washing is low	the filter might be block	clean or replace the filter
	inlet water hose might have water leakage	check the inlet water hose, to screw the inlet water hose fixing screw firmly
The whole product alarm and water come out by it self	When people leave the seat, the knob might not be rotate to off	rotate the knob to off