

CARE AND MAINTENANCE

Spot clean using a mild water-free solvent. Only a professional cleaner should undertake a complete overall cleaning.

The use of steam or water-based cleaners may cause excessive shrinking or staining.

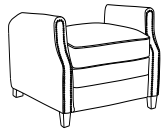
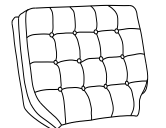



NOTICE

*Please make sure that you have all parts indicated before you begin assembly of this item.

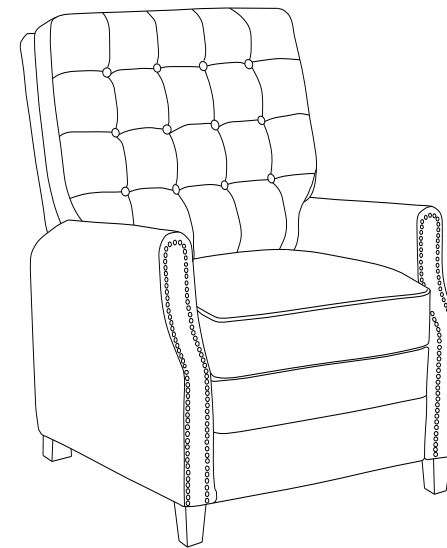
*This item should be assembled on a soft surface to prevent scratching the finish during assembly.

*This item may require periodic tightening.

Parts List and Hardware List

PIECE	DESCRIPTION	PICTURE	QUANTITY
A	Seat		1x
B	Backrest		1x
C	Front leg set		2x
D	Back leg set		2x
HW1	Plastic Washer		4x

Product Dimensions: 30.75" W*36.5" D*39.75" H



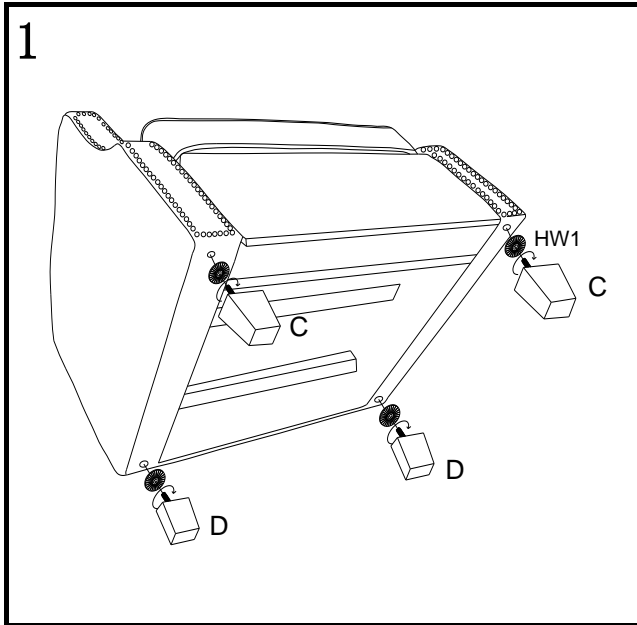
 **WARNING:**
WEIGHT CAPACITY: 275 LBS.
DO NOT STAND ON CHAIR

PREPARATION

Before beginning assembly of product, make sure all parts are present. Compare parts with package contents list.

If any part is missing or damaged, do not attempt to assemble the product.

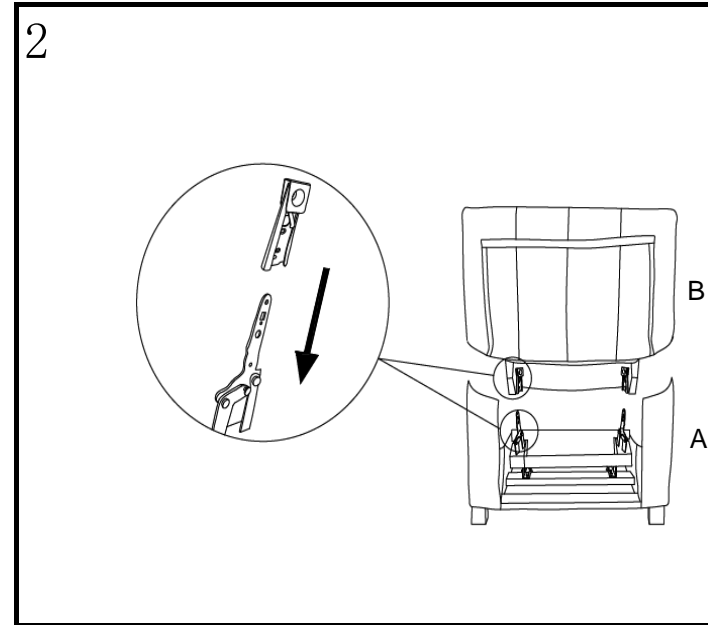
Estimated Assemble Time: 5 minutes.



Step 1

Carefully turn the Seat (A) onto its side lying on a smooth scratch free surface. Screw the front Legs (C) and rear legs (D) through the plastic washer (HW1) into Seat (A) as shown. Then carefully turn the seat upright.

NOTE: Front legs (C) is higher than rear legs (D), they are not interchangeable.



Step 2

1. Attach Backrest (B) to the Seat (A) by sliding Bracket, pressing firmly to lock the retaining piece into place.