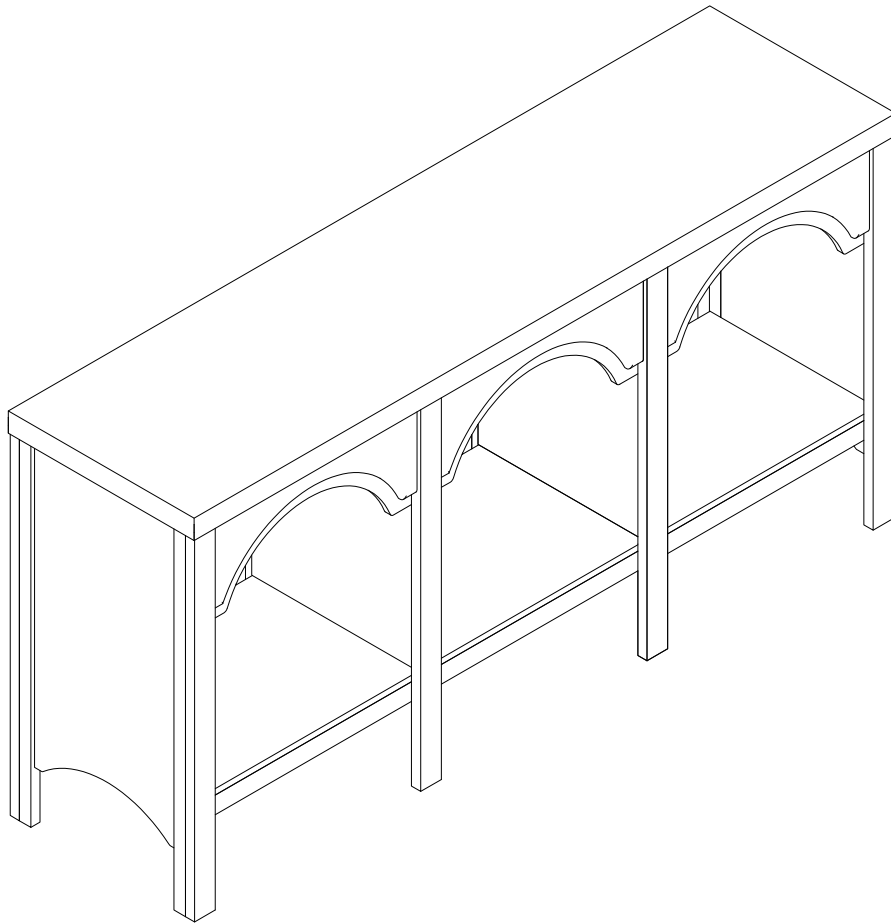


ASSEMBLY INSTRUCTIONS

(1 pc/carton)

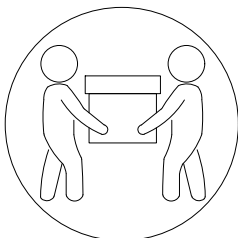
Thank you for purchasing our product.

We appreciate your trust and hope you enjoy your new furniture.

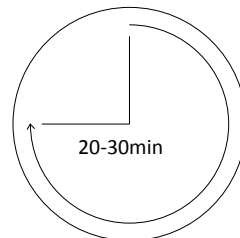


Notice:

1. Place a protective mat or cloth on the floor to prevent scratches.
2. Follow these assembly instructions. Make sure all parts and hardware are included before starting.
3. Do not fully tighten the bolts during assembly. Tighten them only after all parts are properly aligned.
4. If you have any questions, please contact our customer support team or call us directly.

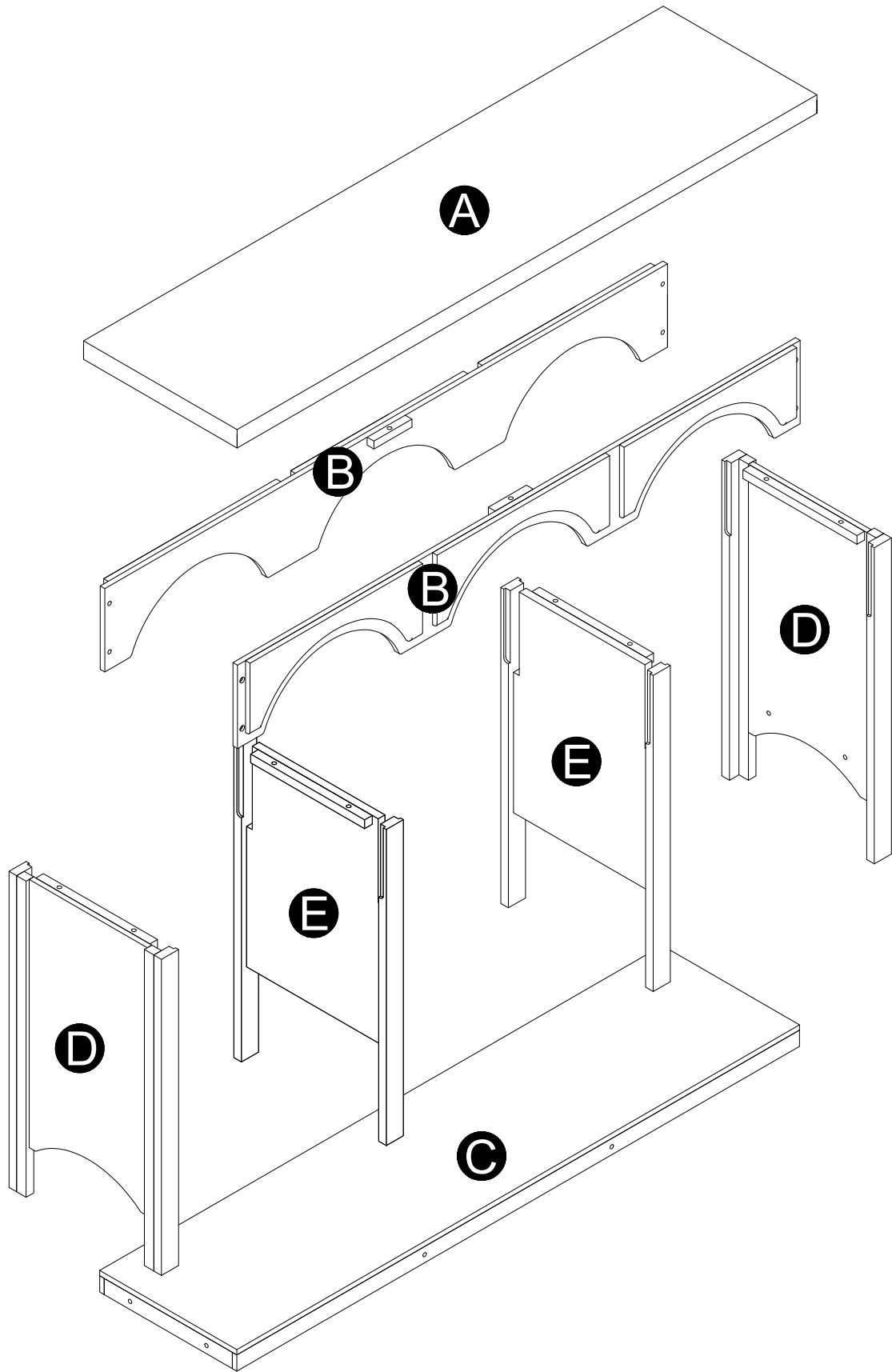


Recommended Assembly: 2 people



Estimate installation time

Assembly Explosion Diagram



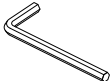
Hardware

① x 26 PCS



1/4*25 mm
Bolt

② x 1 PC



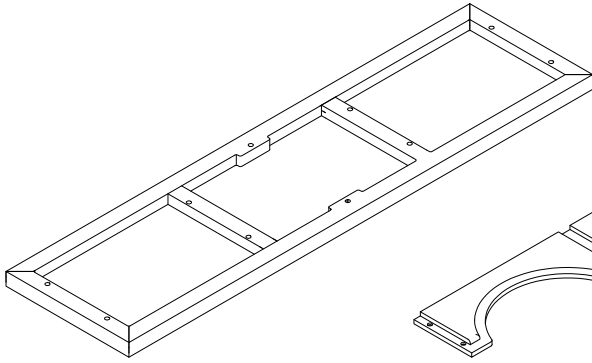
59*23*5mm
Hex key

③ x 2 PCS



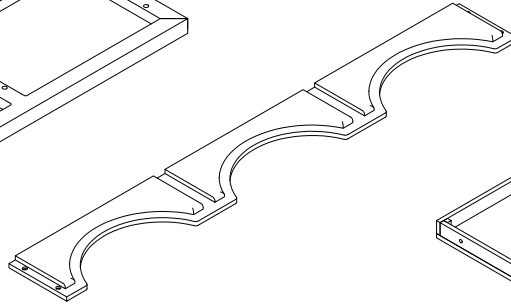
Anti-tip bracket

Parts



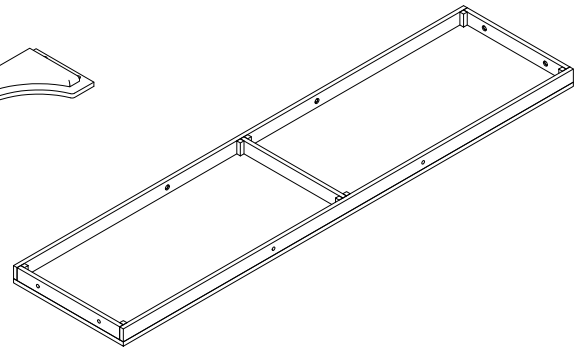
Ⓐ x1PC

Top panel



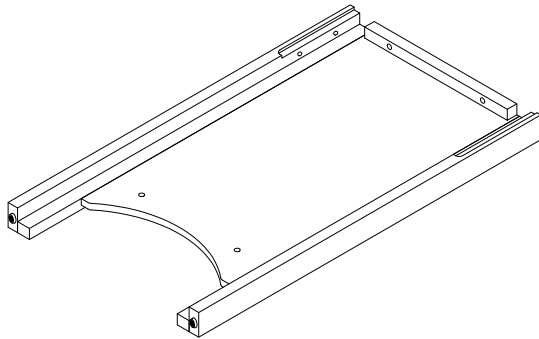
Ⓑ x2PCS

Upper decorative panels



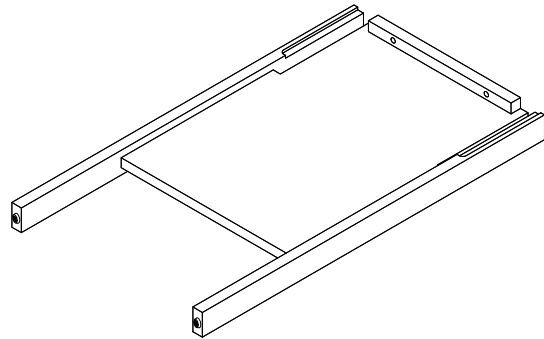
Ⓒ x1PC

Bottom panel



Ⓓ x2PCS

Side panels



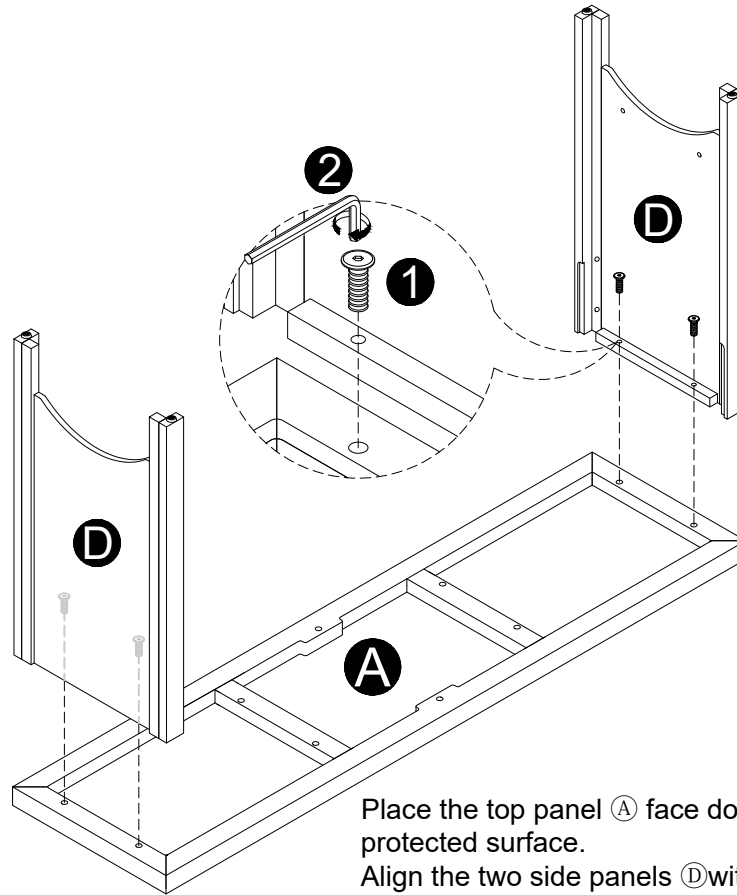
Ⓔ x2PCS

Central vertical panels

1 ① x 4 PCS



1/4*25 mm
Bolt

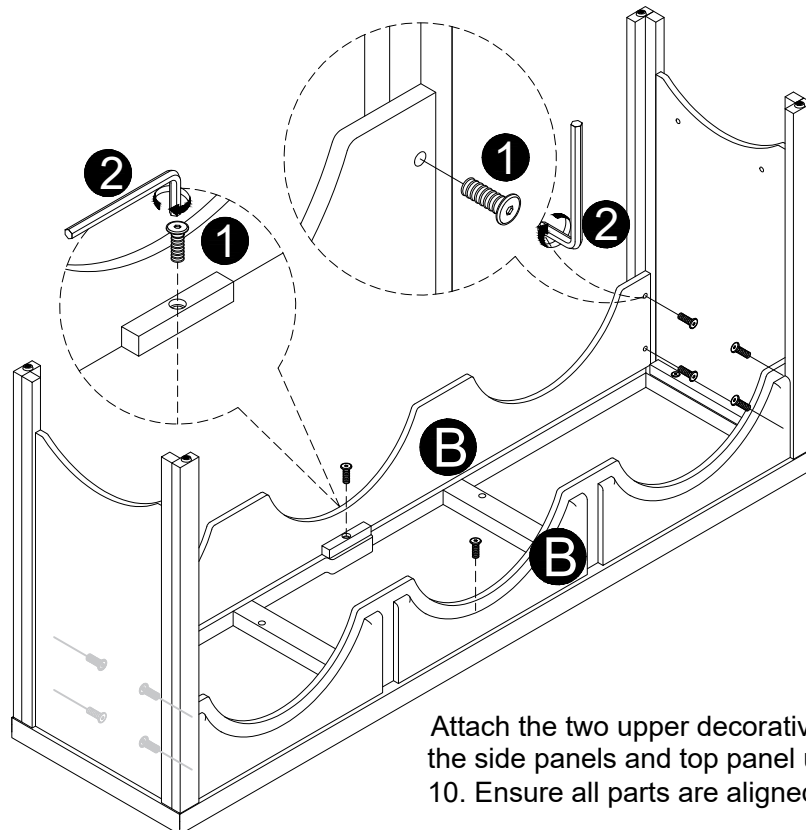


Place the top panel ① face down on a clean, protected surface.
Align the two side panels ② with the holes and secure using bolts ① x 4. Tighten.

2 ① x 10 PCS



1/4*25 mm
Bolt



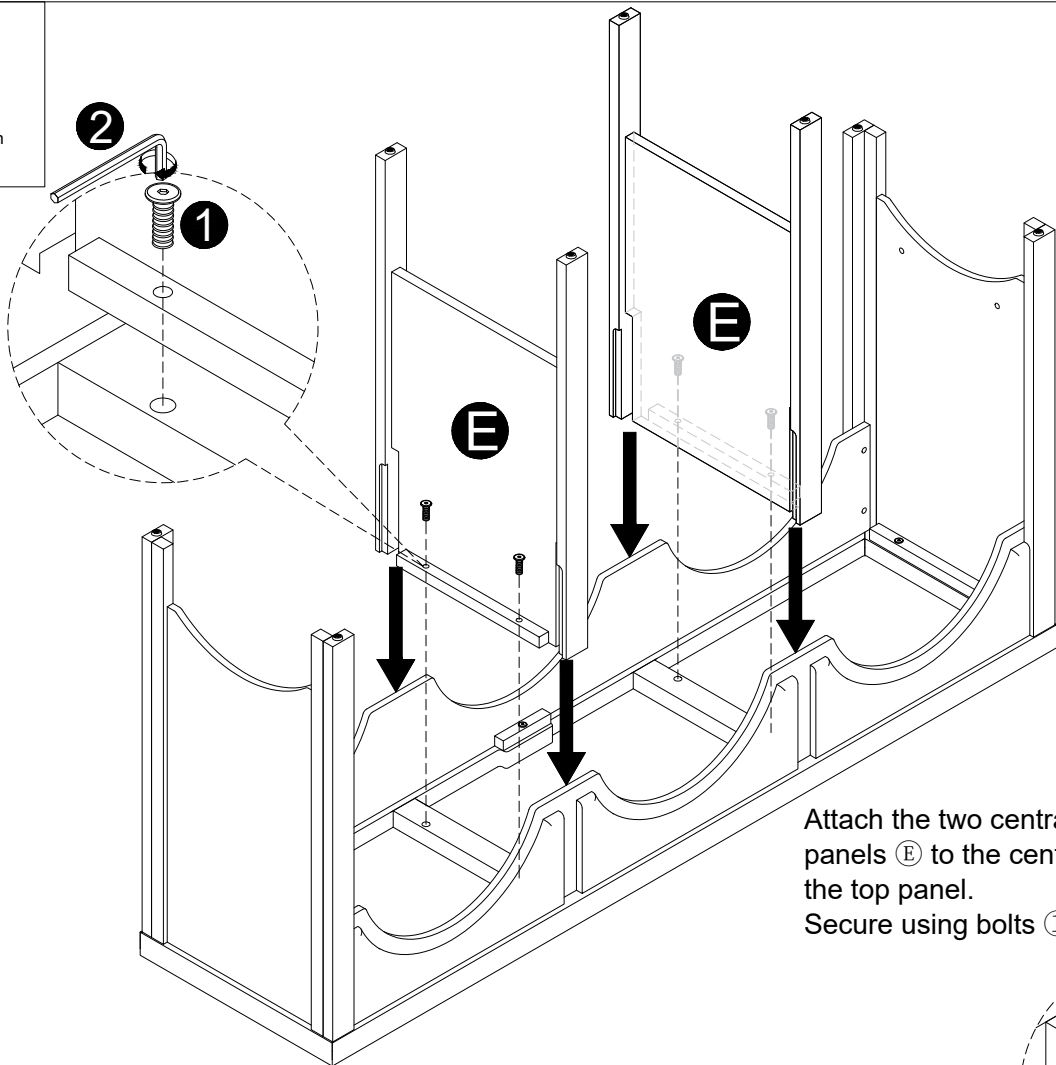
Attach the two upper decorative panels ③ to the side panels and top panel using bolts ① x 10. Ensure all parts are aligned, then tighten.

3

① x 4 PCS



1/4" x 25 mm
Bolt



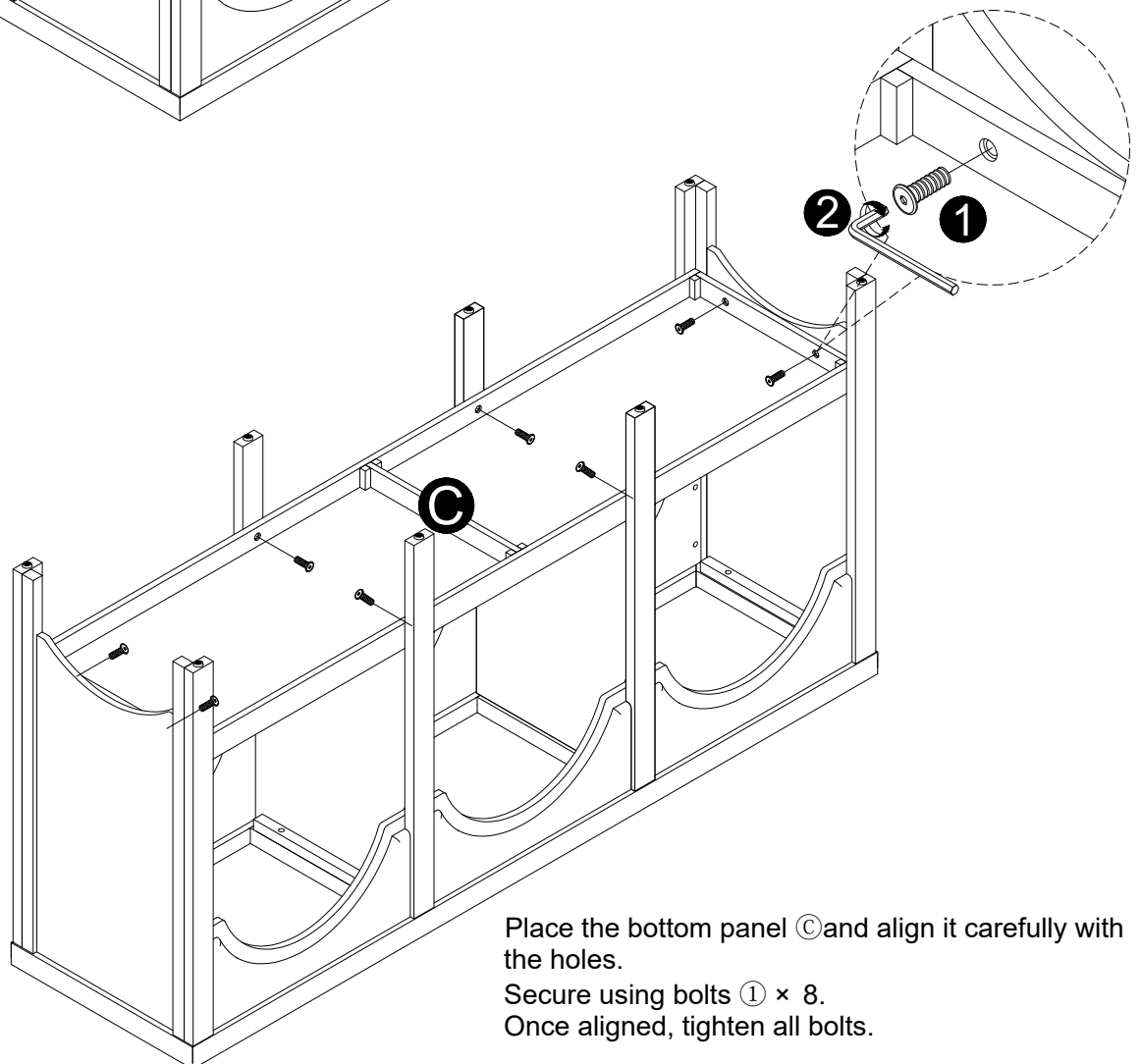
Attach the two central vertical panels **E** to the center supports of the top panel.
Secure using bolts **①** x 4.

4

① x 8 PCS

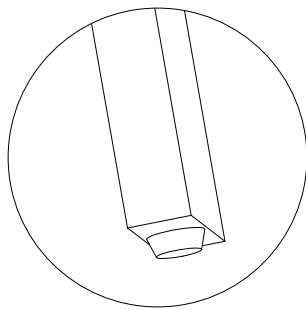
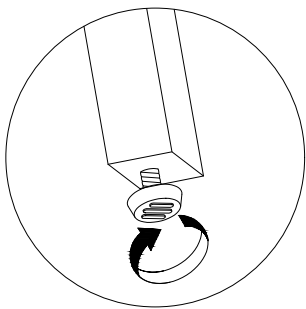
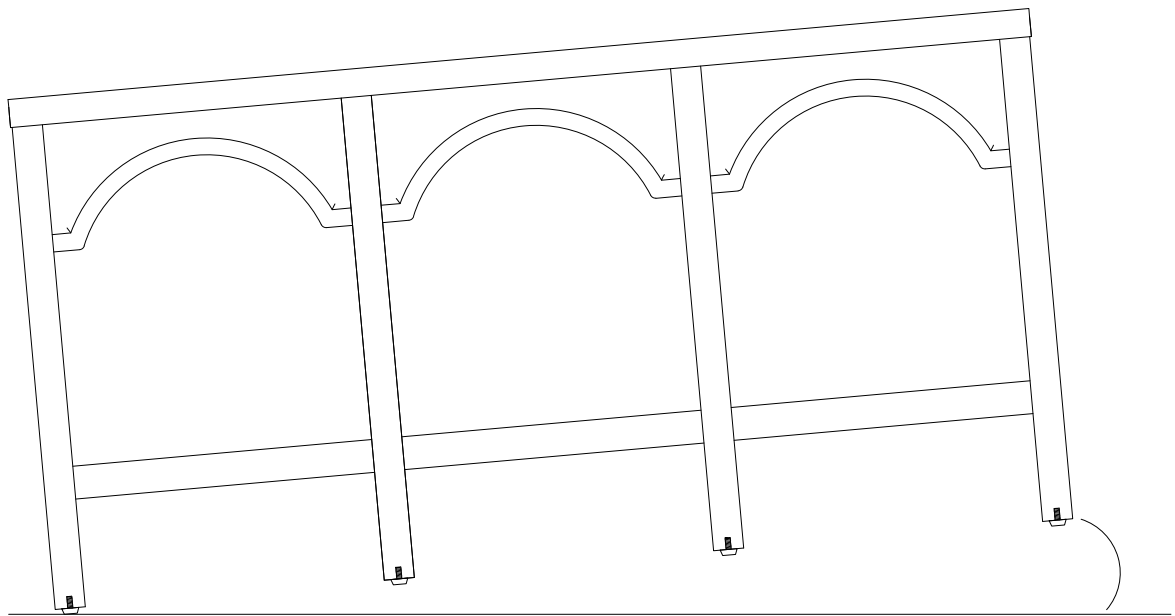


1/4" x 25 mm
Bolt



Place the bottom panel **C** and align it carefully with the holes.
Secure using bolts **①** x 8.
Once aligned, tighten all bolts.

5



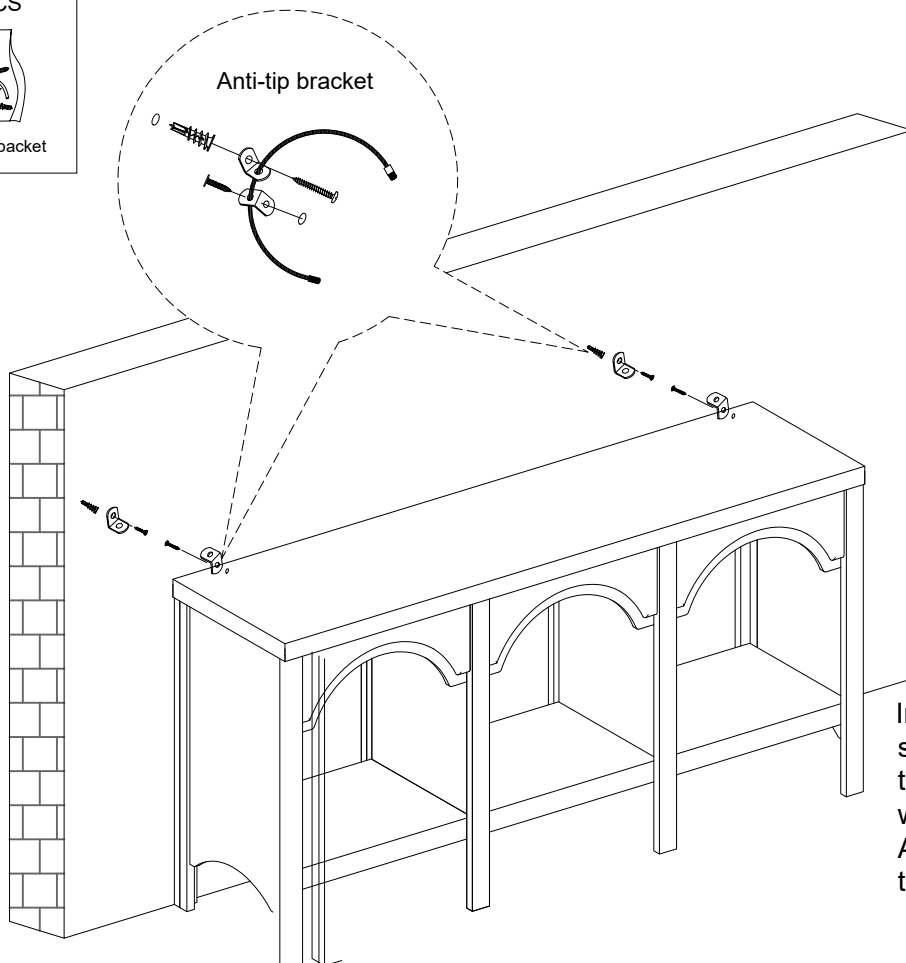
If the floor is uneven, adjust the leveling feet slightly. Do not extend the leveling feet more than 0.5 inches.

6

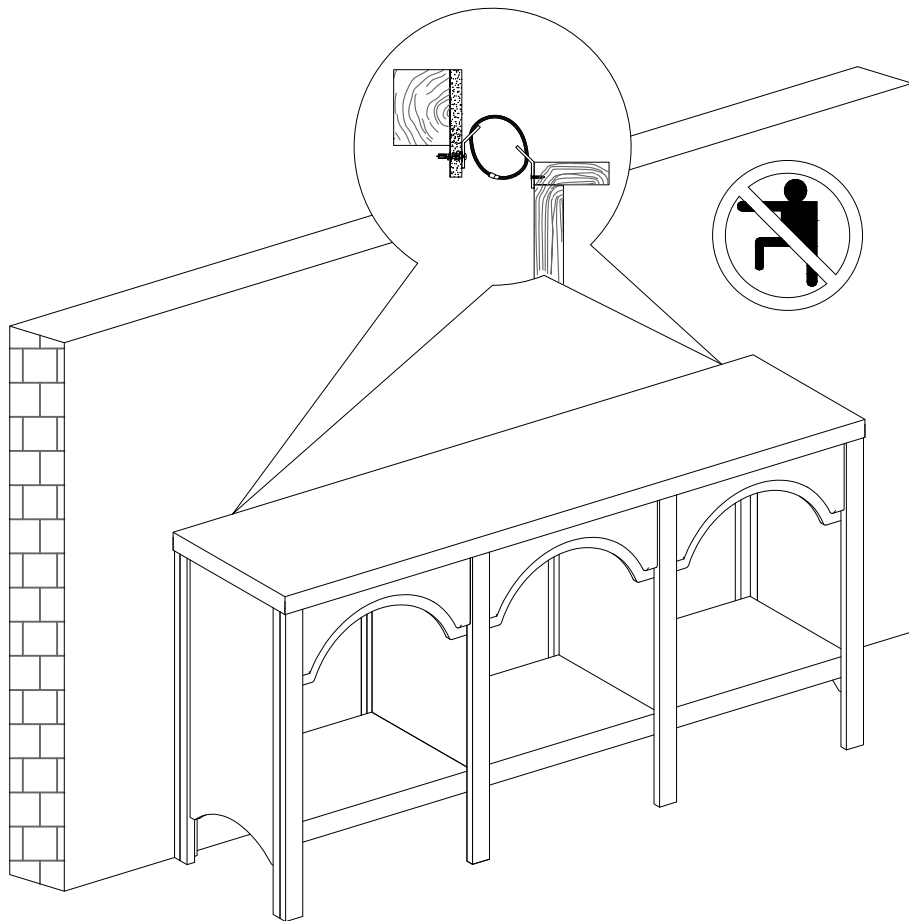
3 x 2 PCS



Anti-tip bracket



Install the anti-tip bracket by securing one end to the back of the unit and the other end to a wall stud. Always install the anti-tip device to prevent tipping.



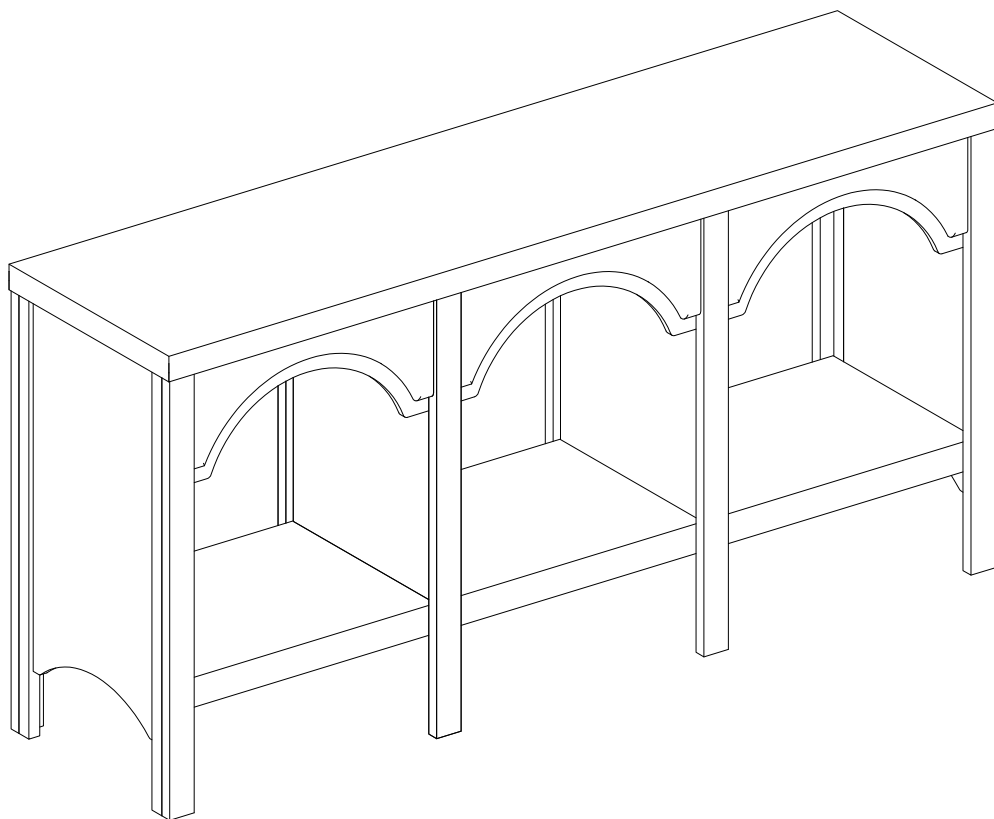
Warning: No Climbing

Always install the anti-tip restraint provided.

Do not climb or hang on this product. Serious injury or death may occur.

Keep children away from shelves, cabinets, and furniture.

Do not place TVs or other heavy objects on this product unless it is specifically designed to support them.



Completed