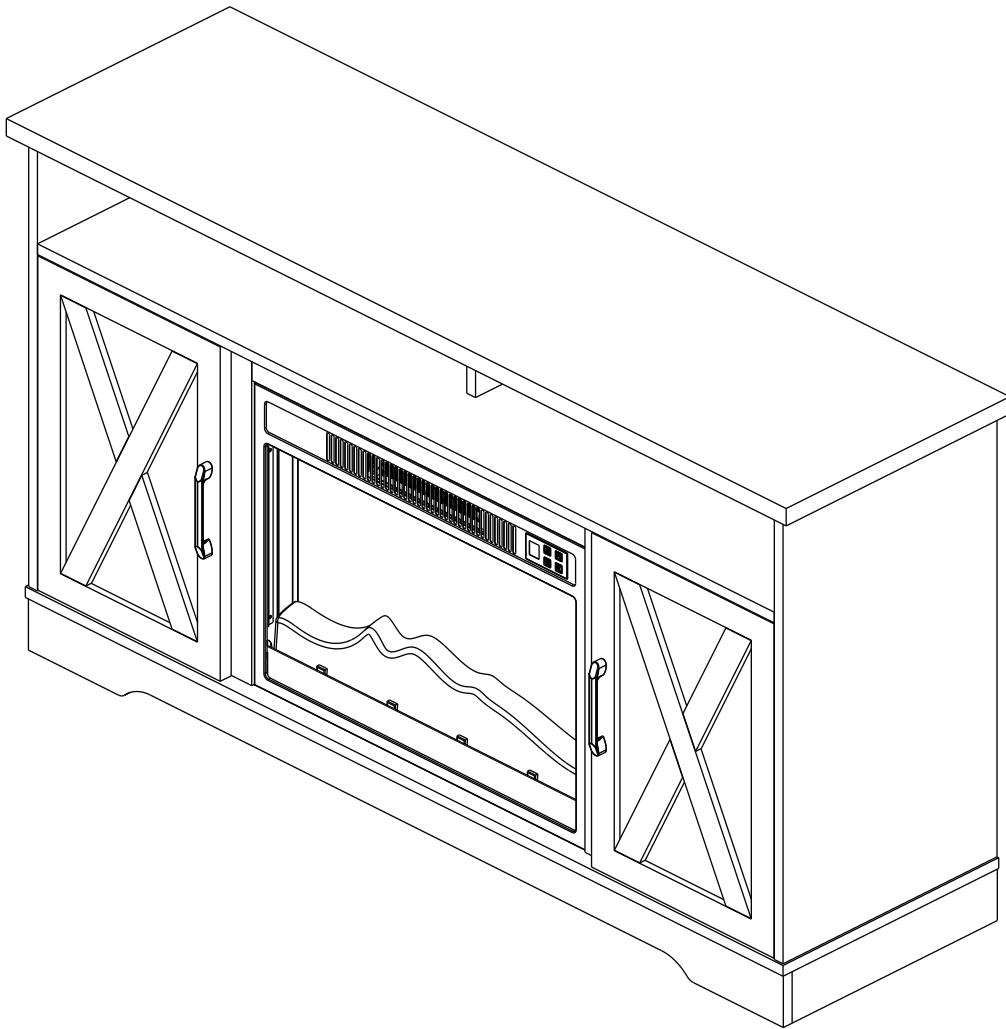
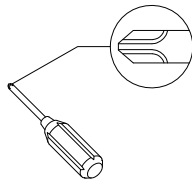


# Instruction Manual

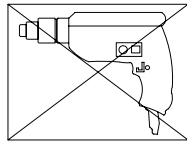


# General Assembly Guidelines

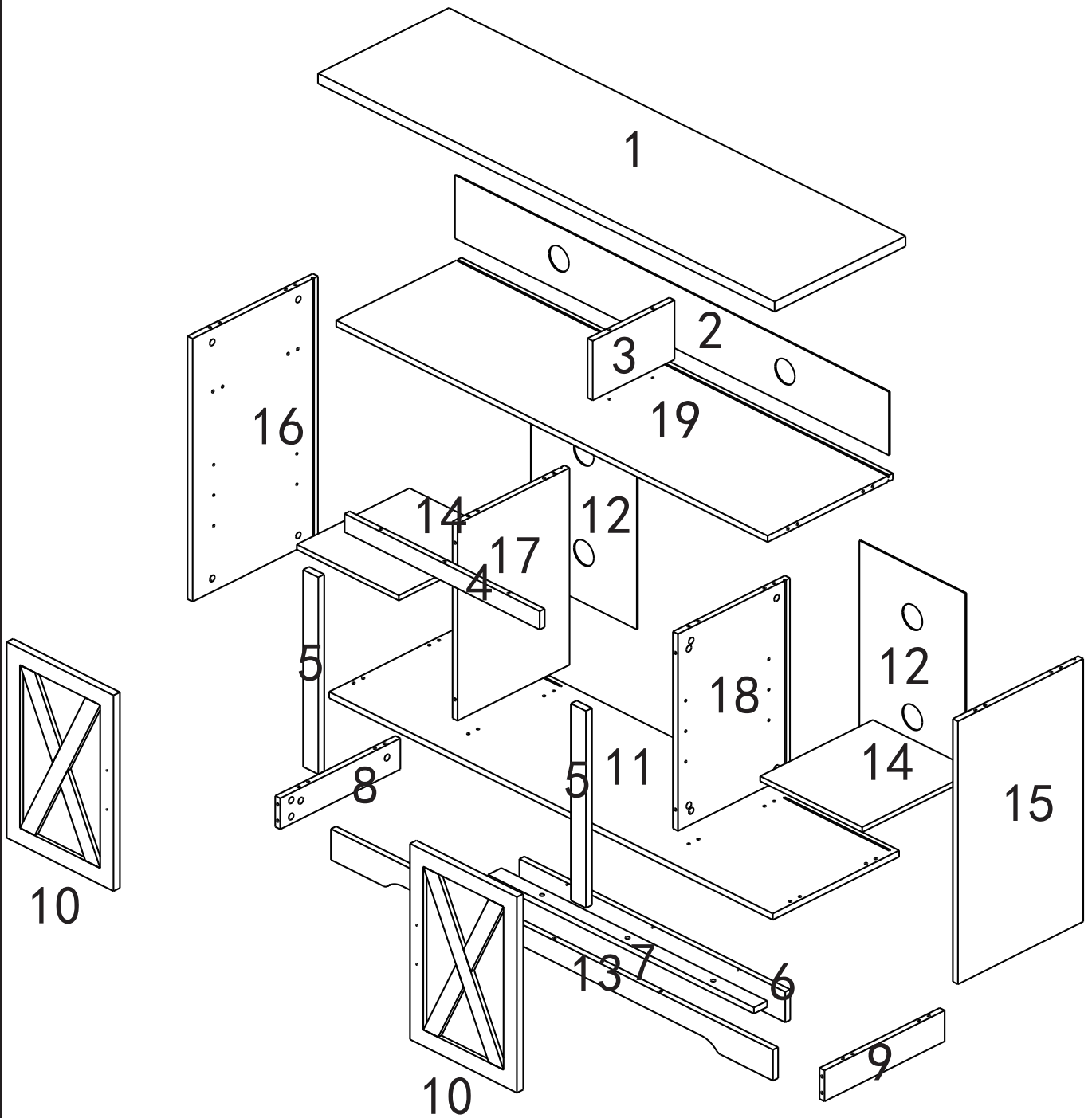
- I. Ensure that all parts and hardware are available before beginning assembly.
- II. Follow each step carefully to ensure the proper assembly of this product.
- III. Two people are recommended for ease in the assembly of this product.
- IV. The four main types of hardware used to assemble this product are: wood dowels, cam bolts and locks, bolts and screws.
- VI. A Phillips head screwdriver is required for the assembly of this product.



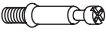


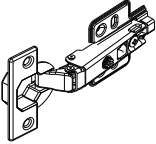



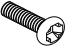





- VII. Power tools should not be used to assemble this product.








# Partes List



# Hardware List

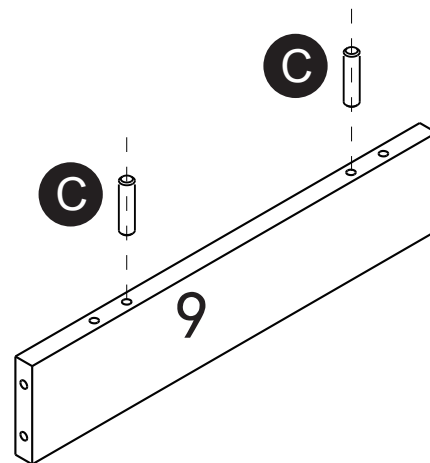
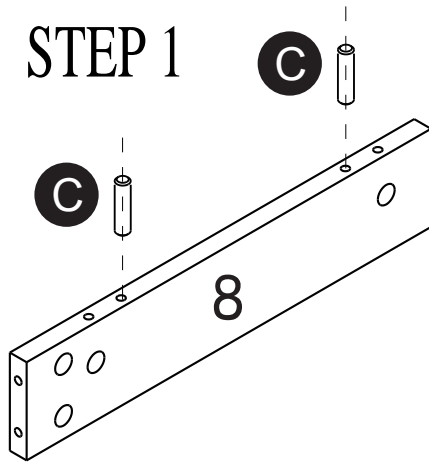
A			Cam lock	38 PCS
B			Cam bolt	38 PCS
C		Ø8x40mm	Wood dowel	25 PCS
D			Hinge	4 PCS
E			Hinge cover	4 PCS
F		Ø4x12mm	Medium screw	18PCS
G		Ø 4x35mm	La`rge screw	5 PCS
H		Ø 4x20mm	Bolt	3 PCS
L			Shim	3 PCS
R			Partition bracket rivet	8 PCS
K		Ø 4x25mm	Medium screw	3 PCS
J			Handle	2 PCS
M		Ø 4x10mm	Screw	6 PCS

## Wall mounting kit

PART #	IMAGE	DESCRIPTION	QTY.
AA		Mounting bracket	2
AB		Anchor	2
AC		Nylon strap	1
AD		Flat head screw, Ø4 x 15 mm	2
AE		Flat head screw, Ø4 x 30 mm	2

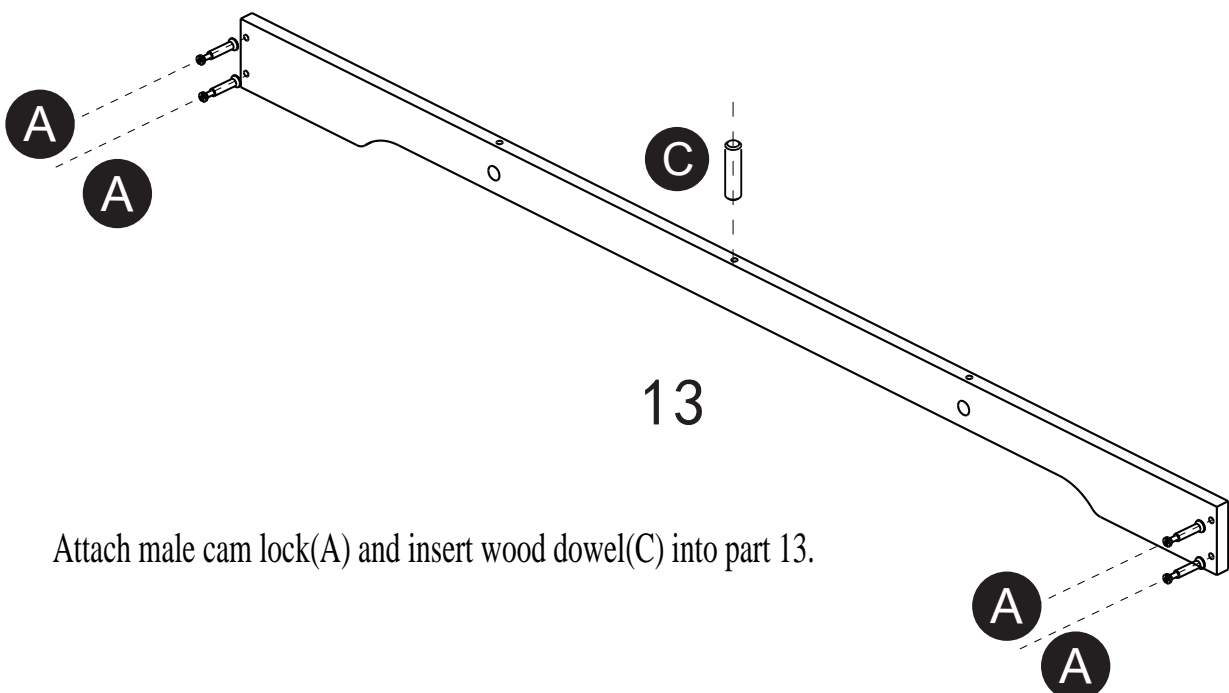
*The hardware quantities listed above are required for proper assembly.  
Some extra hardware may also have been included.*

## STEP 1



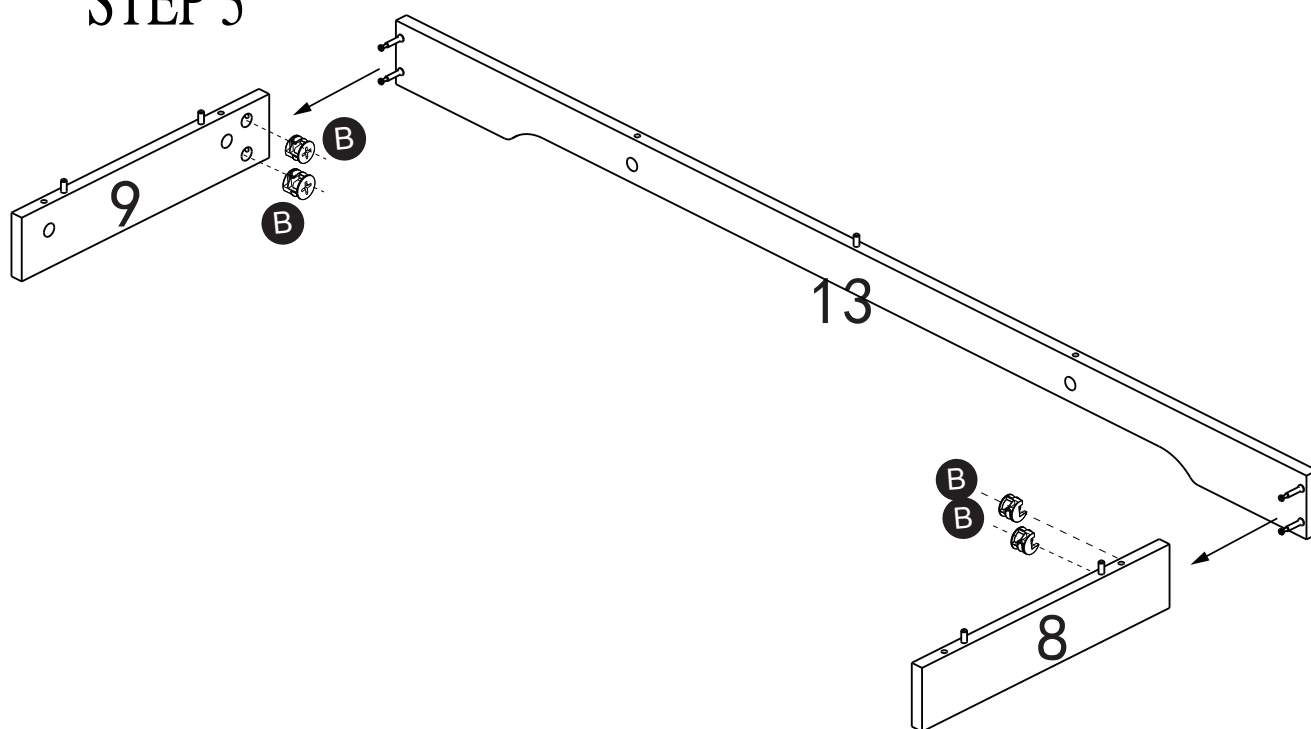
Insert wood dowel(C) into part 8 and part 9.

## STEP 2



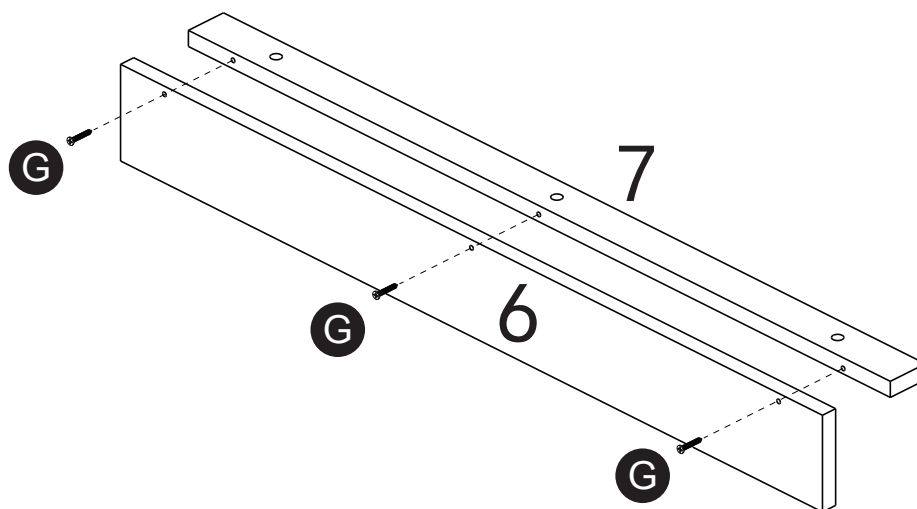
Attach male cam lock(A) and insert wood dowel(C) into part 13.

### STEP 3



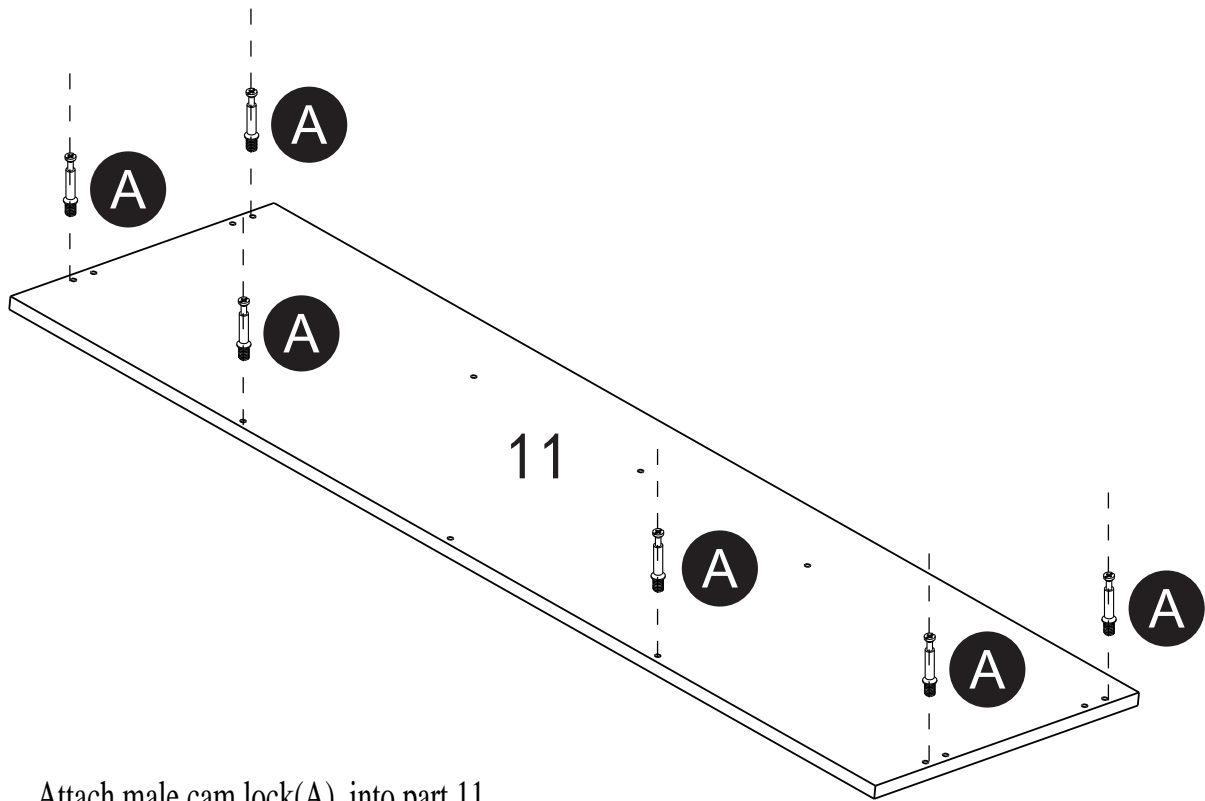
Attach part 8 and 9 to part 13, then insert and secure female cam lock(B) to part 8 and 9 to lock it.

### STEP 4



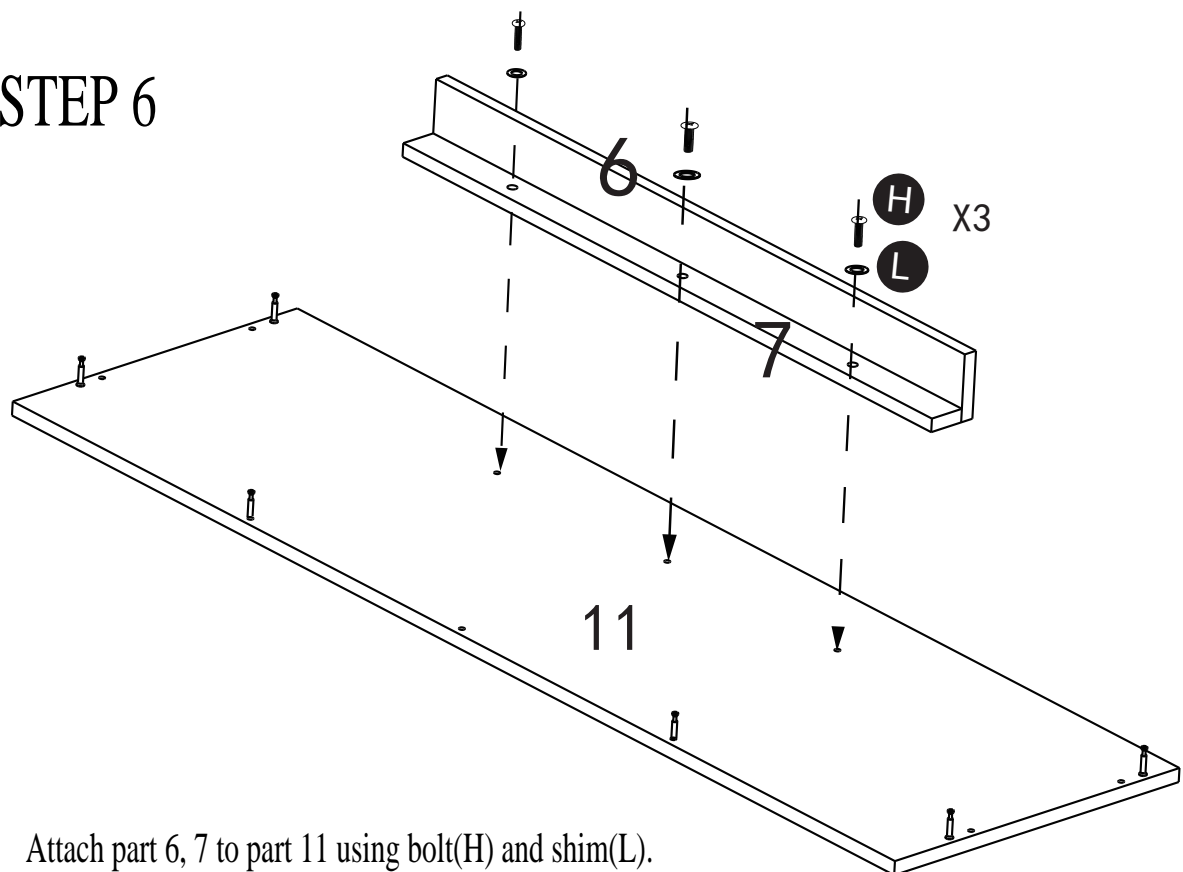
Attach part 7 to part 6 using large screw(G) with a screwdriver.

## STEP 5



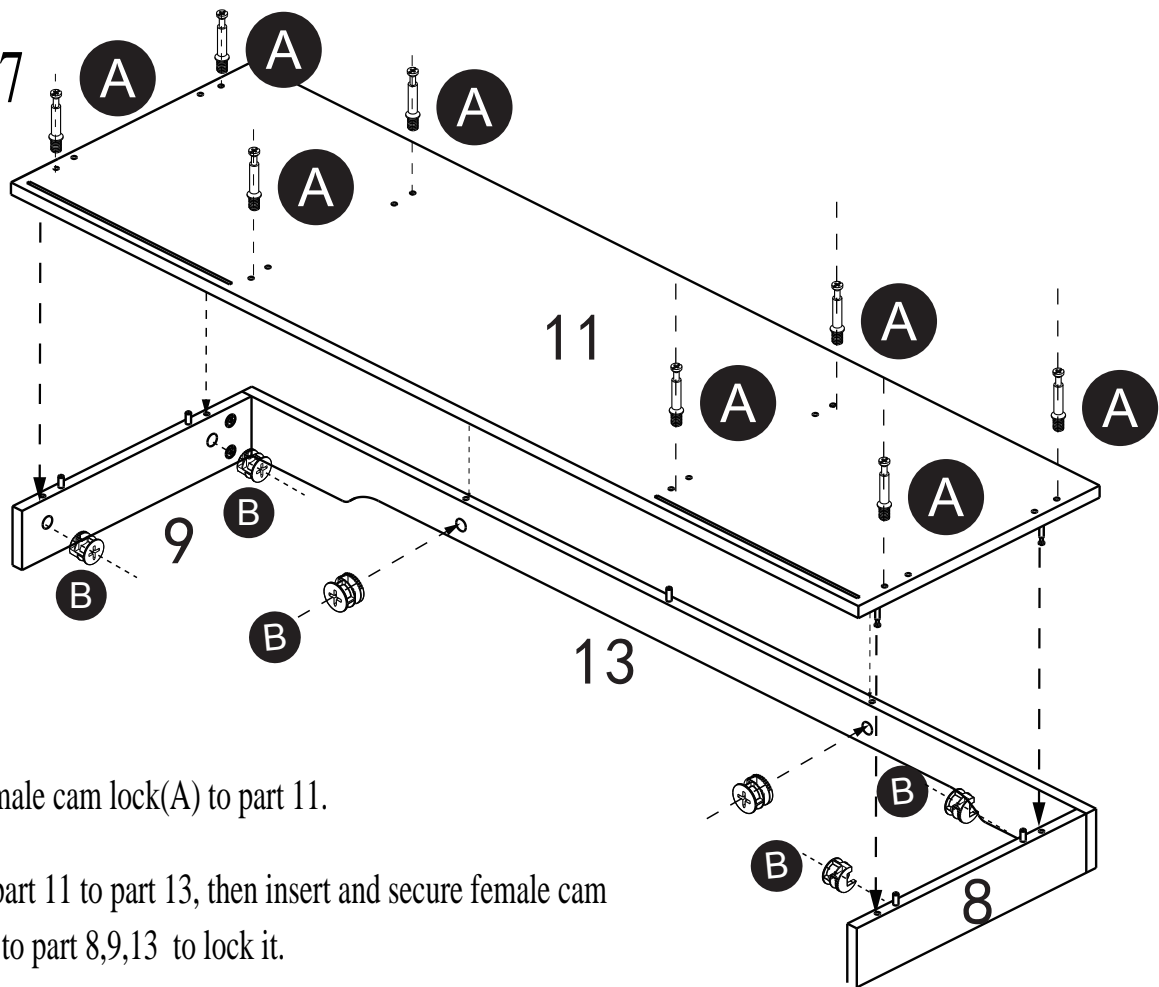
Attach male cam lock(A) into part 11.

## STEP 6



Attach part 6, 7 to part 11 using bolt(H) and shim(L).

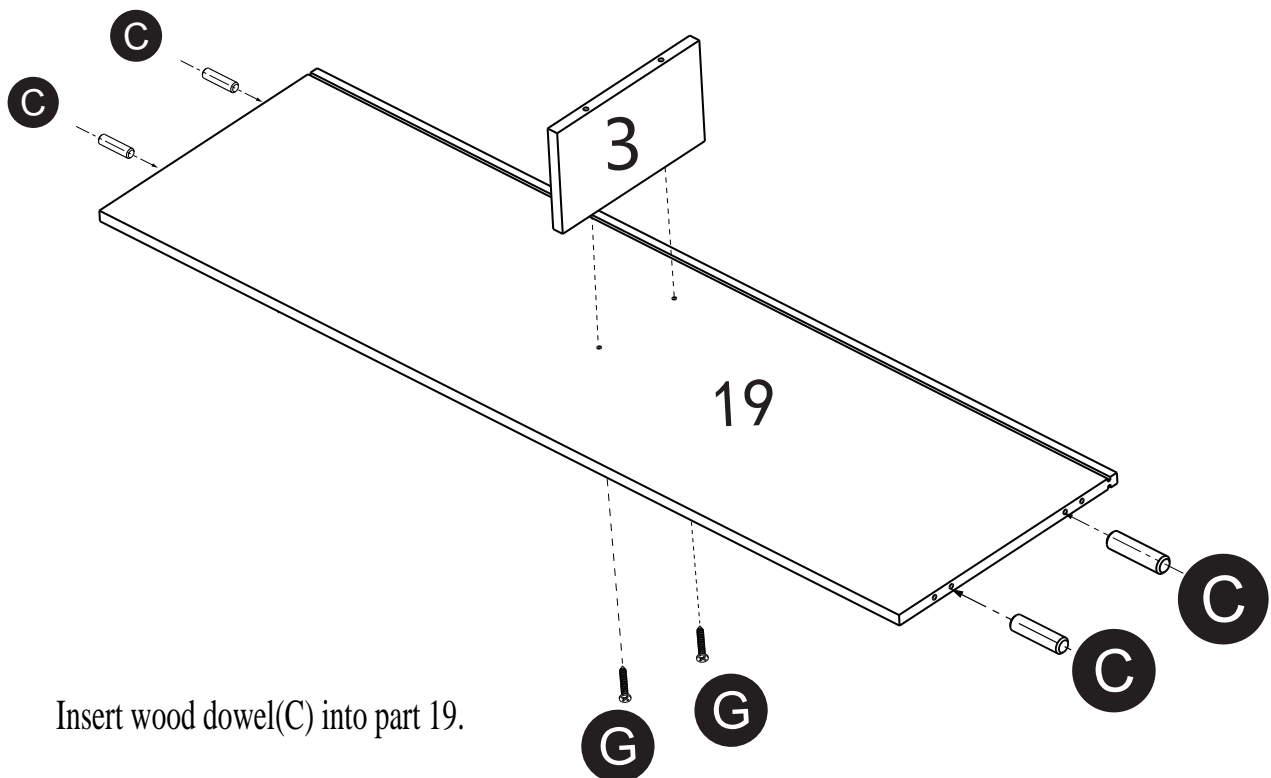
## STEP 7



Attach male cam lock(A) to part 11.

Attach part 11 to part 13, then insert and secure female cam lock(B) to part 8,9,13 to lock it.

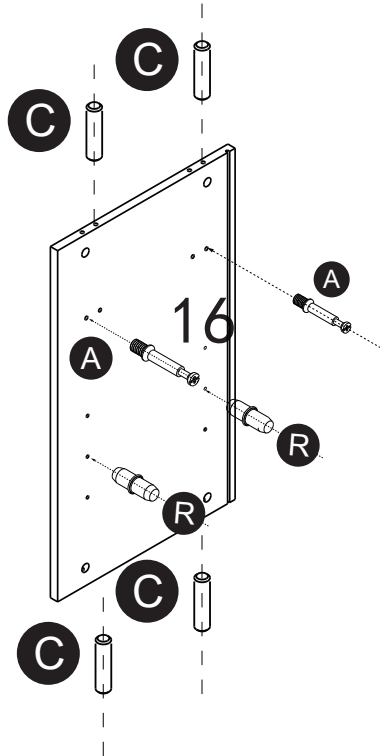
## STEP 8



Insert wood dowel(C) into part 19.

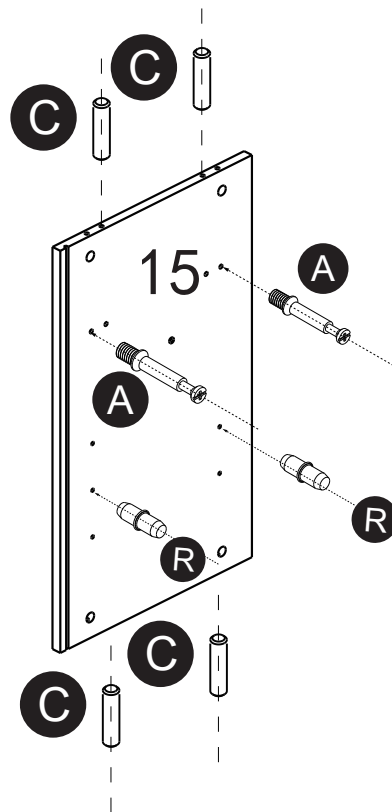
Attach part 3 to part 19 using large screw(G) with a screwdriver.

## STEP 9



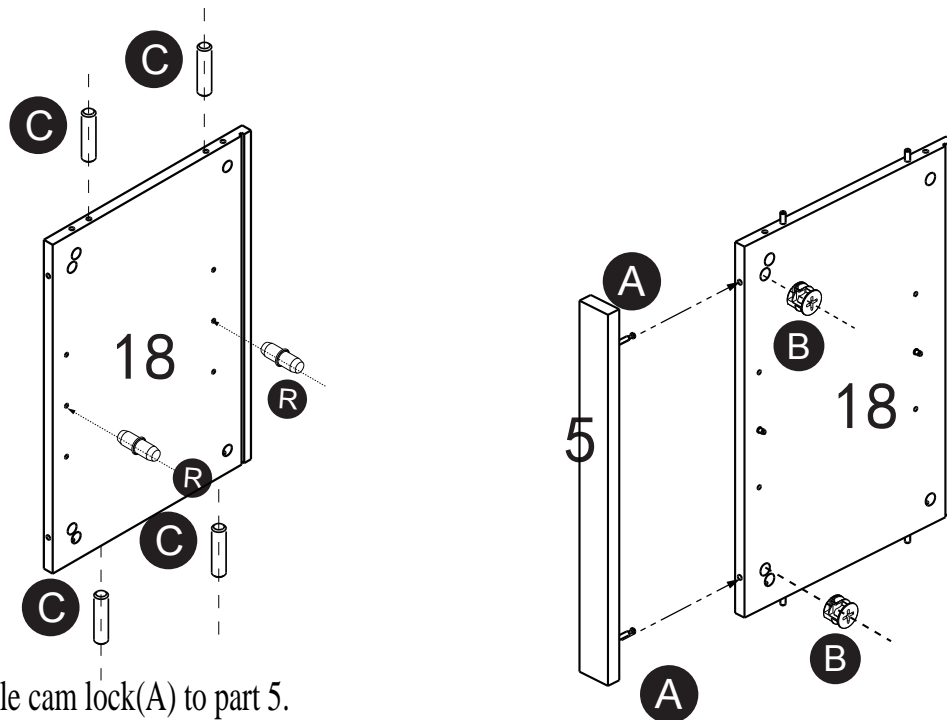
Attach male cam lock(A) and insert wood dowel(C) partition bracket rivet into part 16.

## STEP 10



Attach male cam lock(A) and insert wood dowel(C) partition bracket rivet(R) into part 15.

## STEP 11

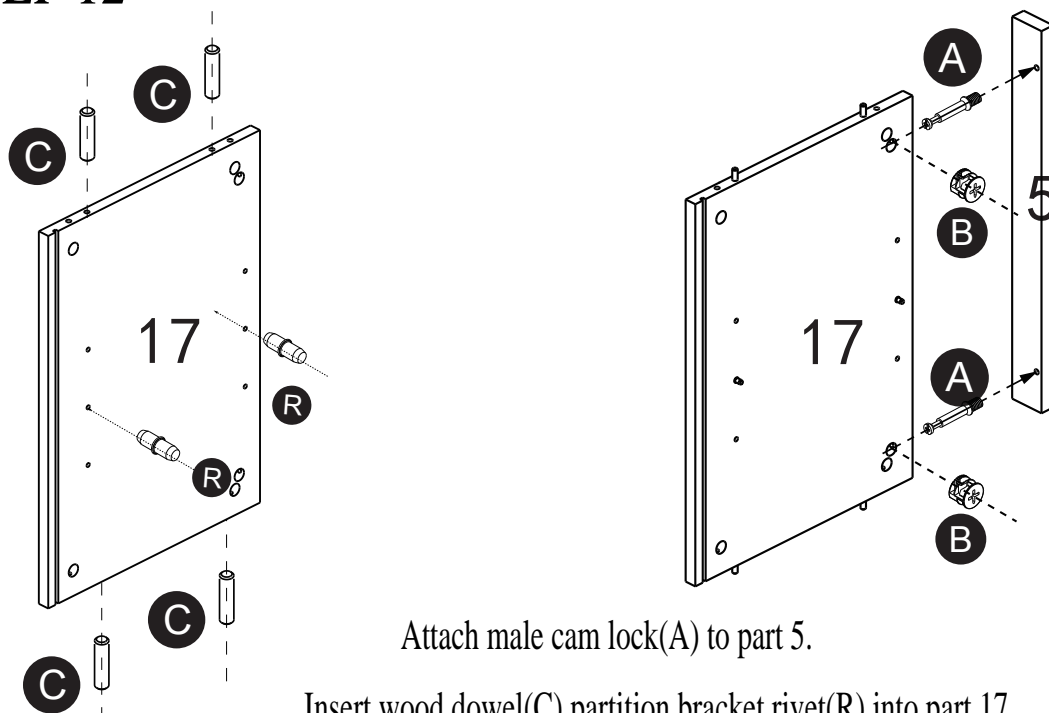


Attach male cam lock(A) to part 5.

Insert wood dowel(C) partition bracket rivet(R) into part 18.

Attach part 5 to part 18, then insert and secure female cam lock(B) to part 18 to lock it.

## STEP 12

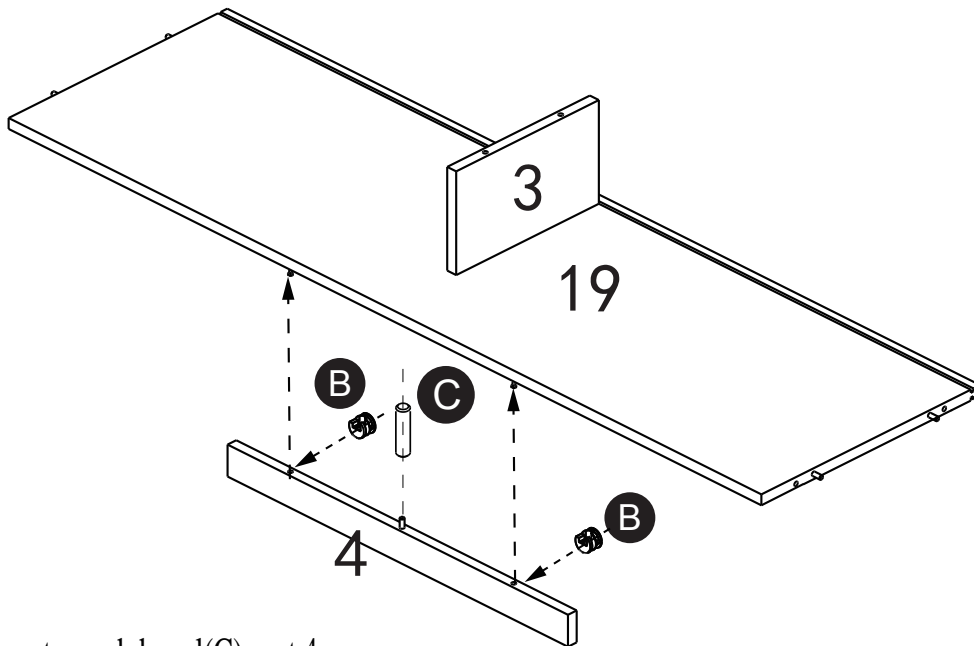


Attach male cam lock(A) to part 5.

Insert wood dowel(C) partition bracket rivet(R) into part 17.

Attach part 5 to part 17, then insert and secure female cam lock(B) to part 17 to lock it.

# STEP 13

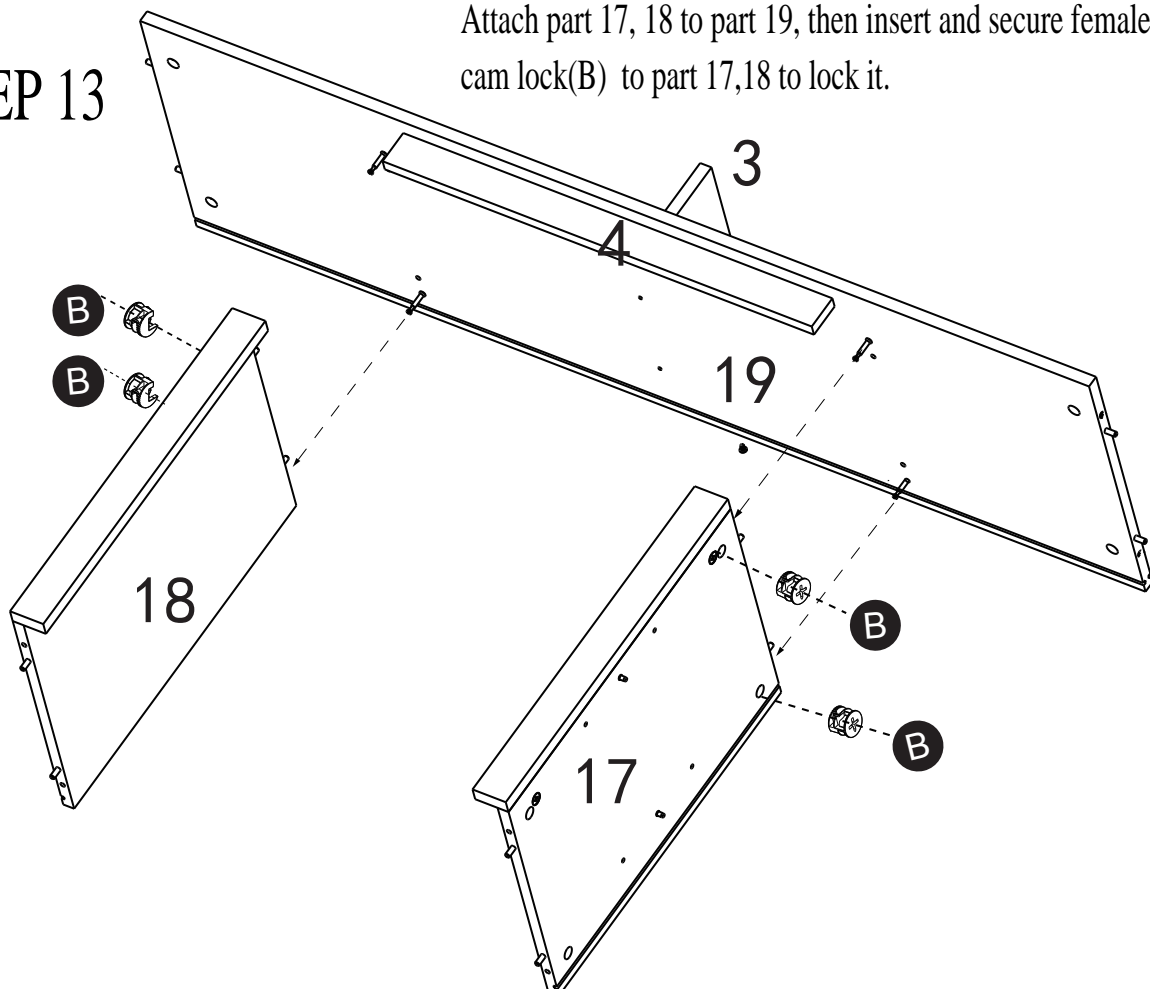


Insert wood dowel(C) part 4.

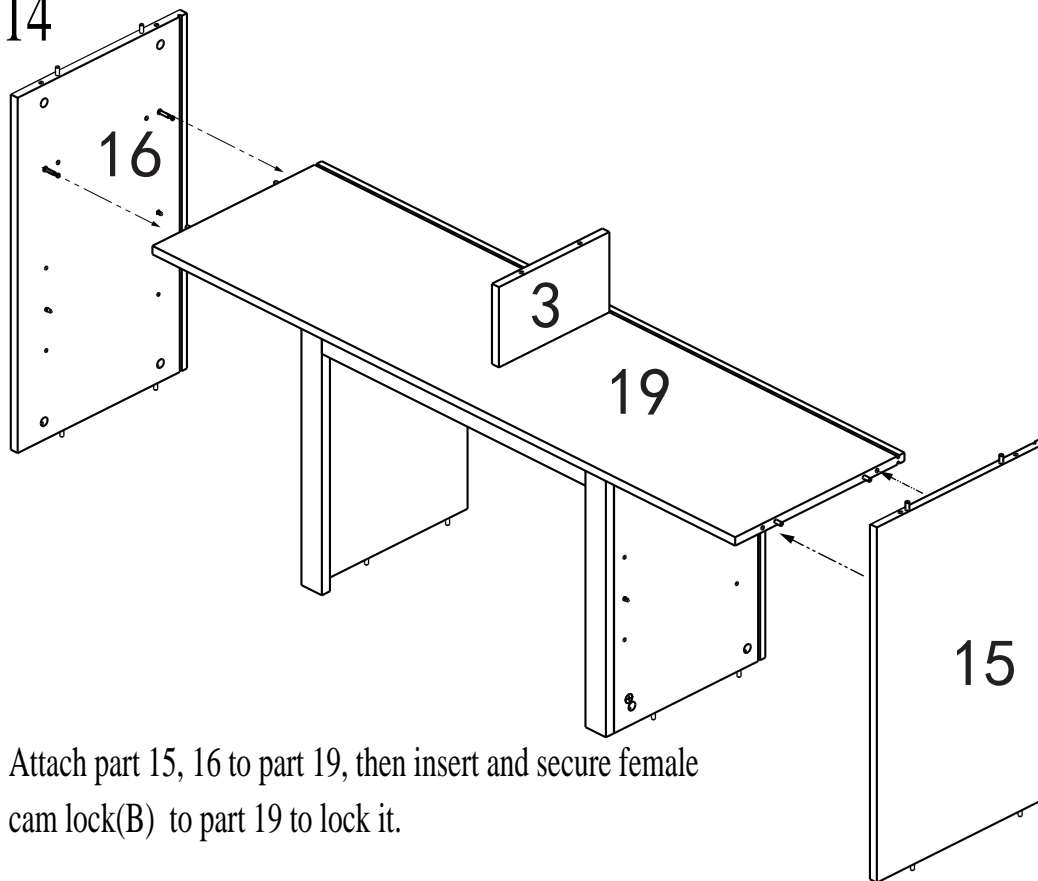
Attach part 4 to part 19, then insert and secure female cam lock(B) to part 4 to lock it.

# STEP 13

Attach part 17, 18 to part 19, then insert and secure female cam lock(B) to part 17,18 to lock it.

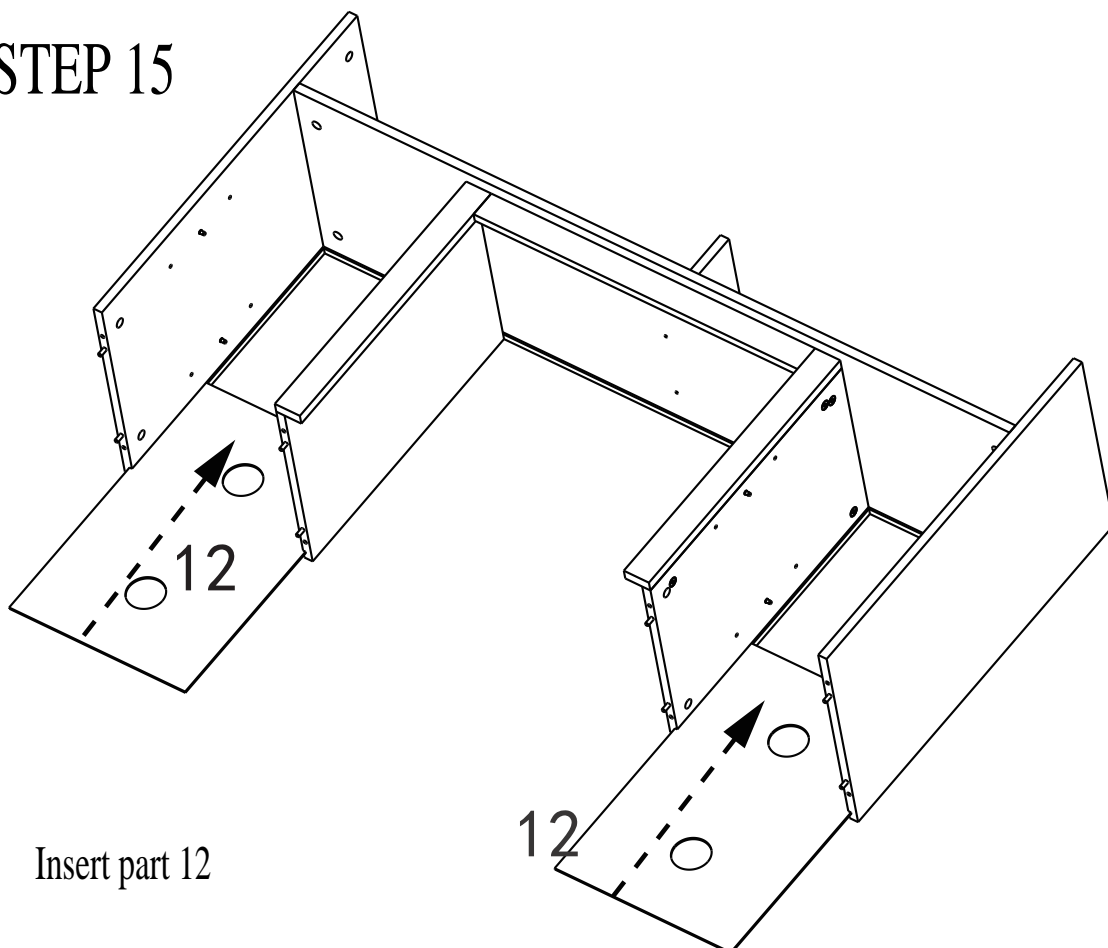


## STEP 14



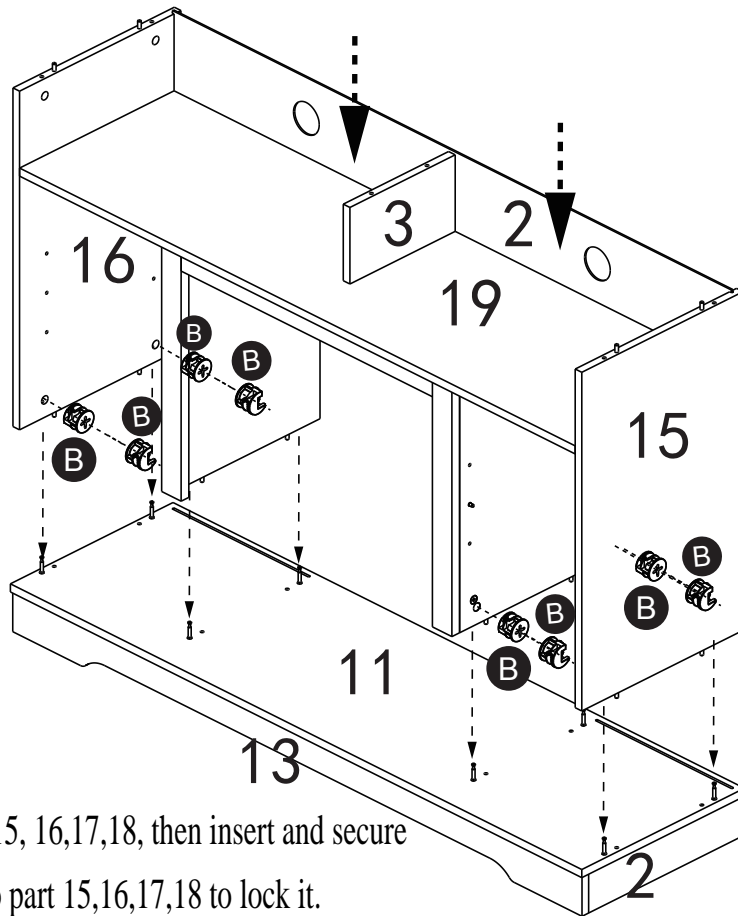
Attach part 15, 16 to part 19, then insert and secure female cam lock(B) to part 19 to lock it.

## STEP 15



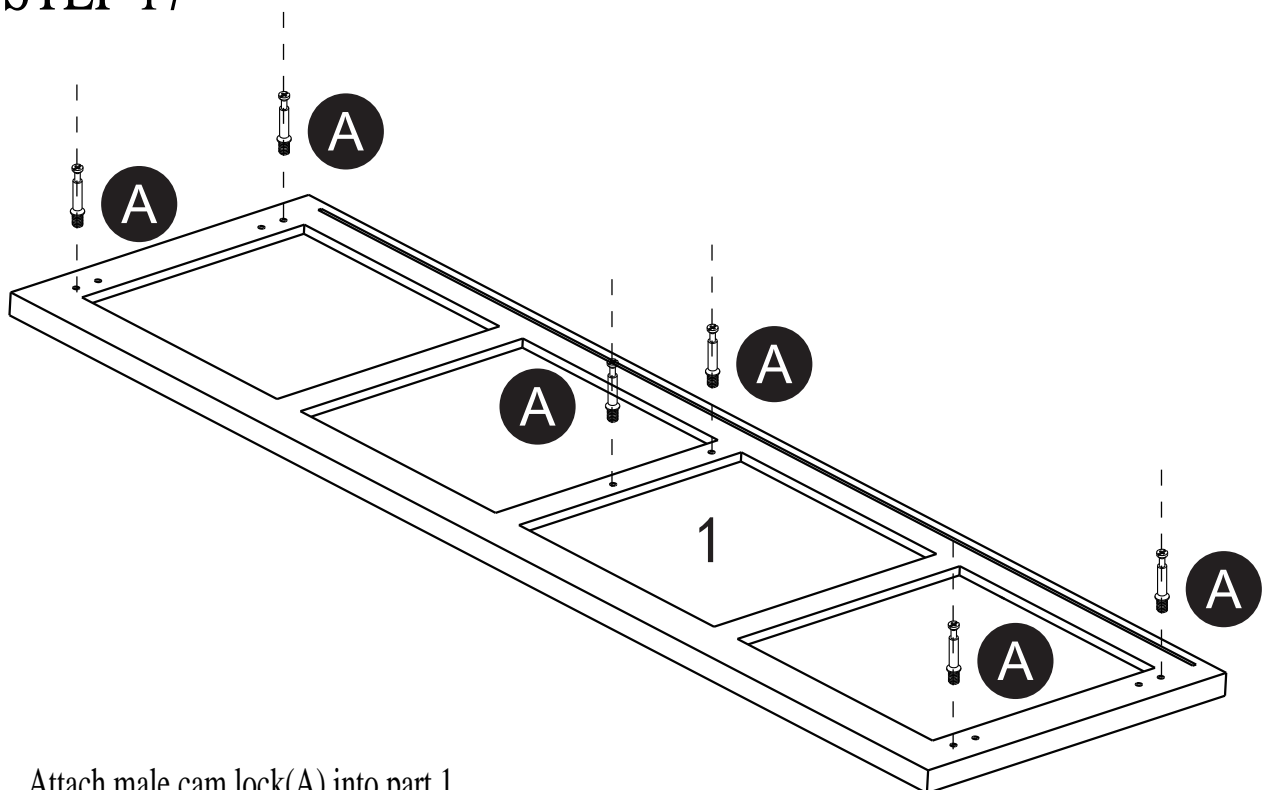
Insert part 12

## STEP 16



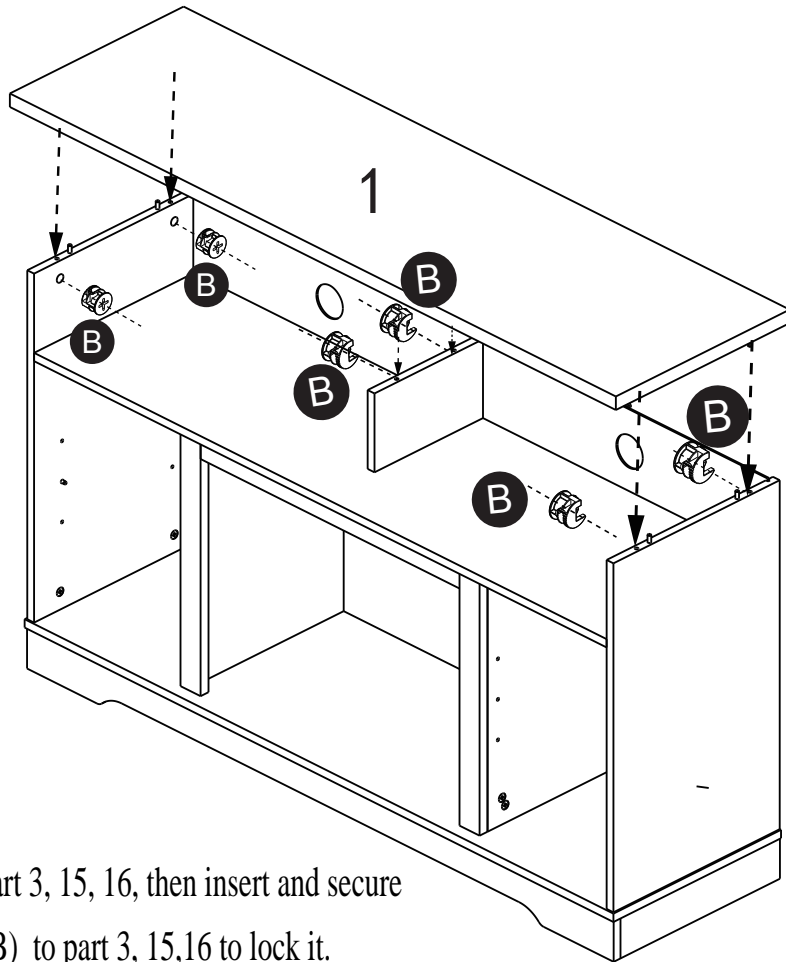
Attach part 11 to part 15, 16, 17, 18, then insert and secure female cam lock (B) to part 15, 16, 17, 18 to lock it.

## STEP 17



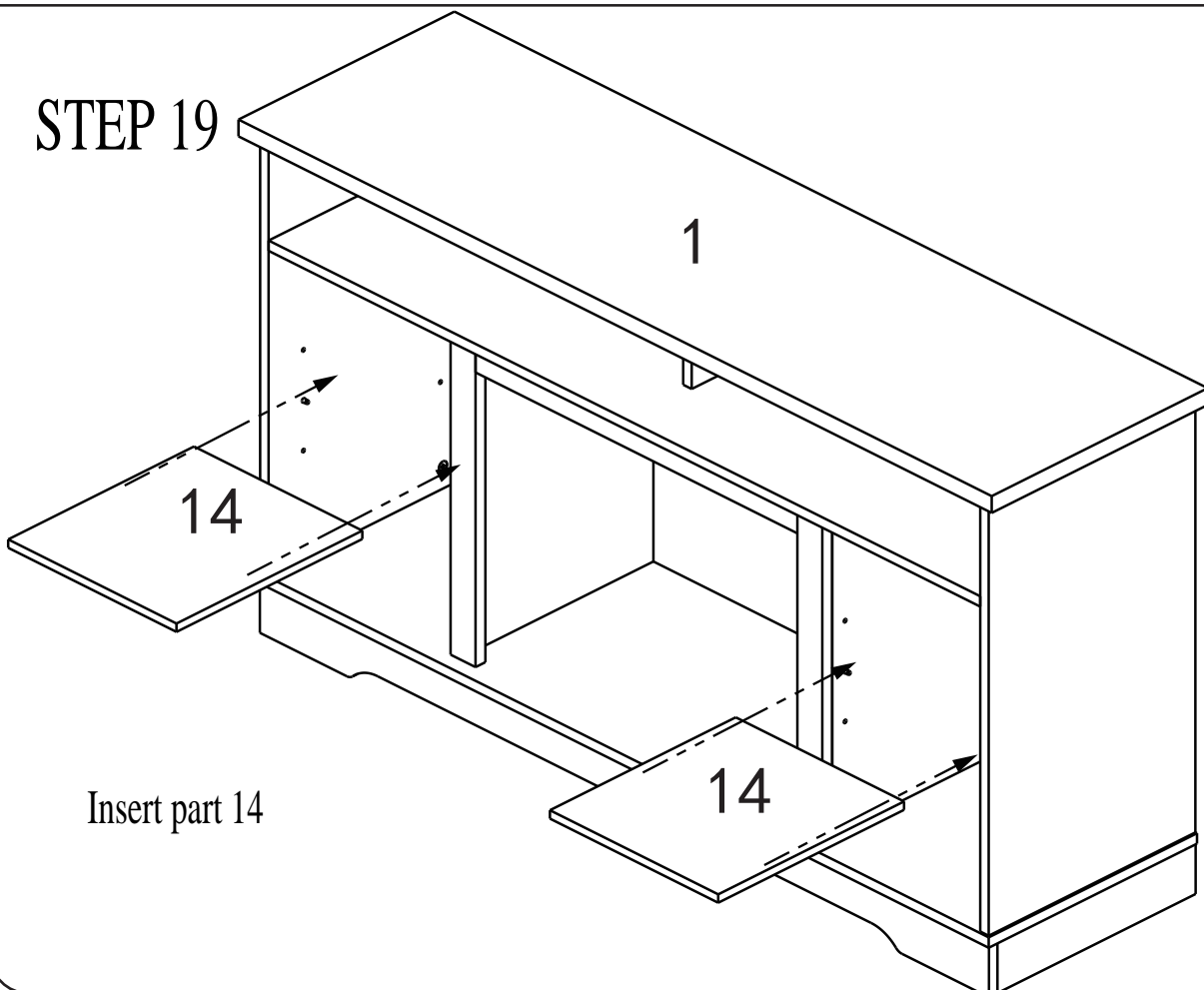
Attach male cam lock (A) into part 1.

## STEP 18



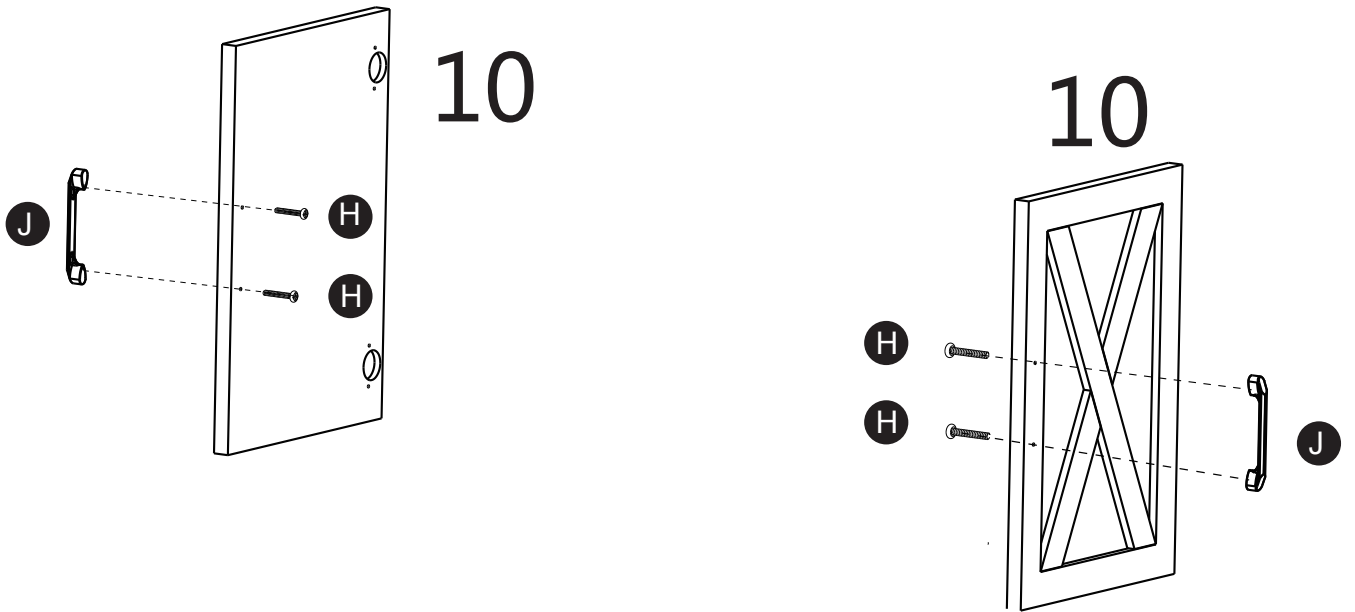
Attach part 1 to part 3, 15, 16, then insert and secure female cam lock(B) to part 3, 15,16 to lock it.

## STEP 19



Insert part 14

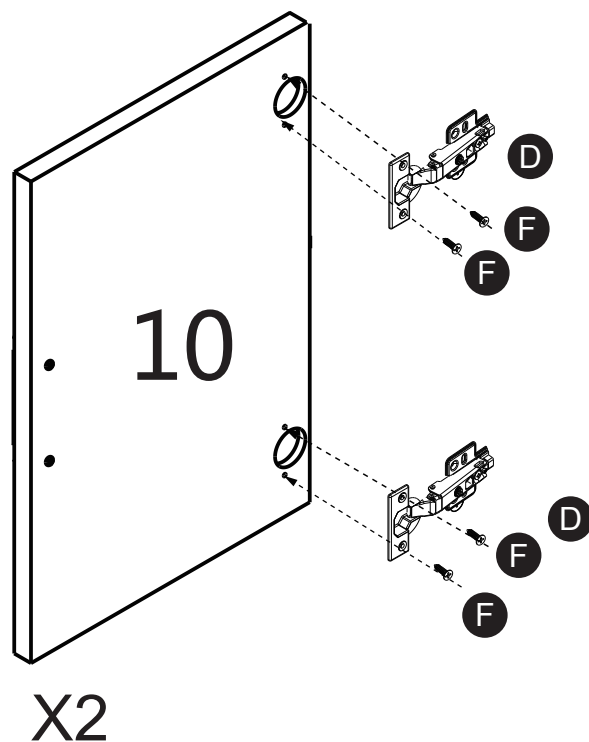
# STEP 20



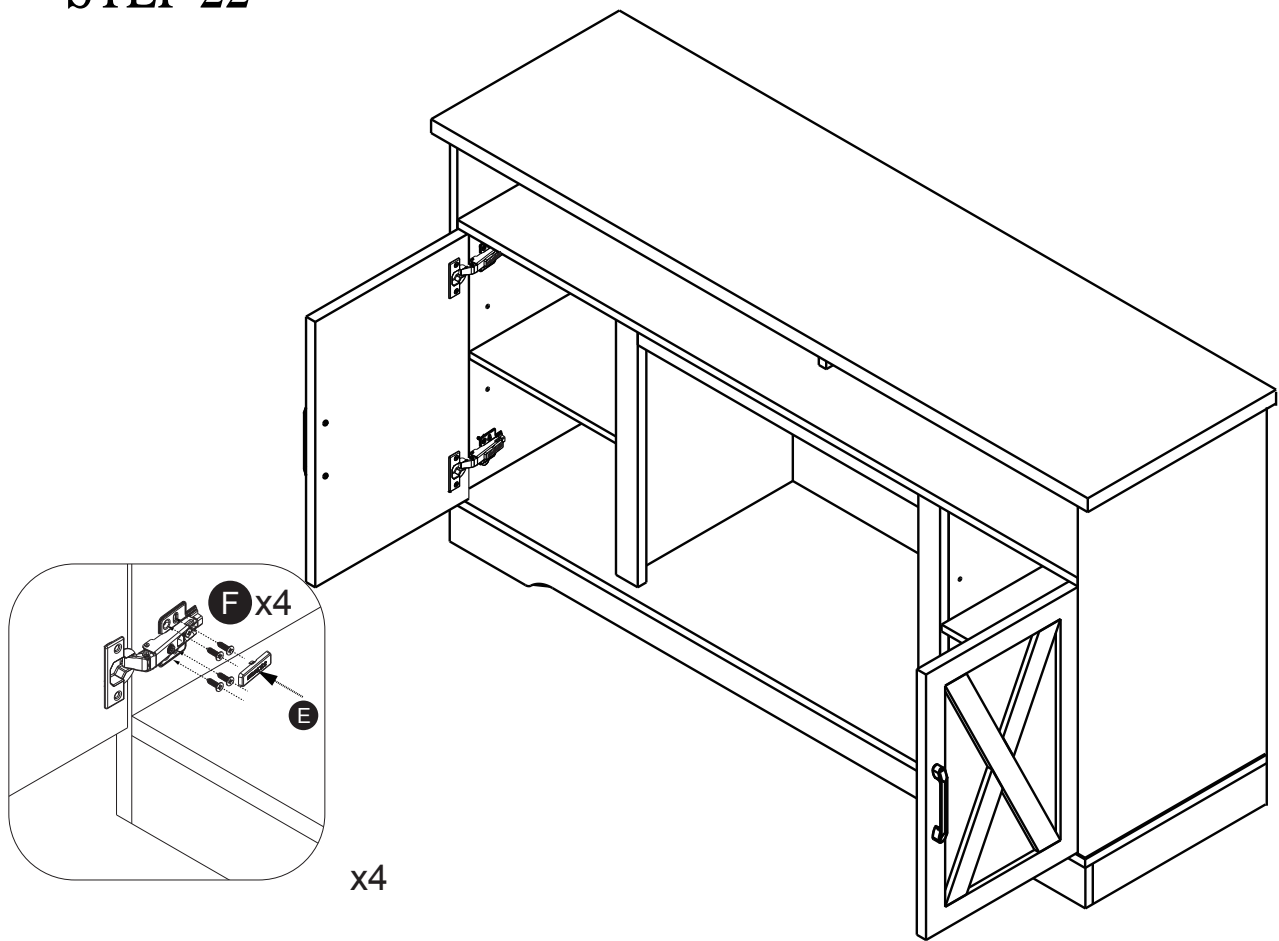
Attach handle(J) to part 10 using bolt(H).

# STEP 21

Attach hinge(D) to part 10 using medium screw(F) with a screwdriver..



## STEP 22



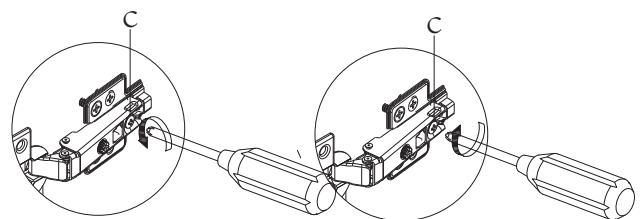
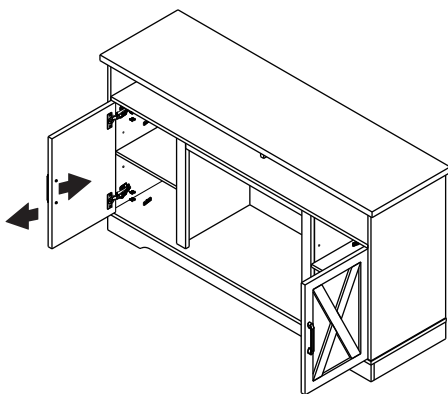
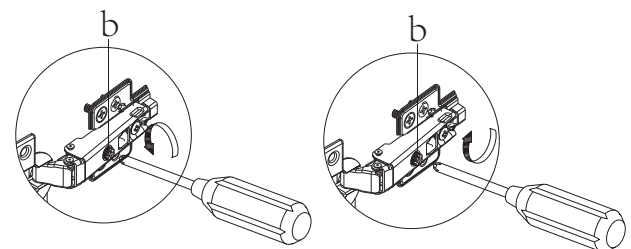
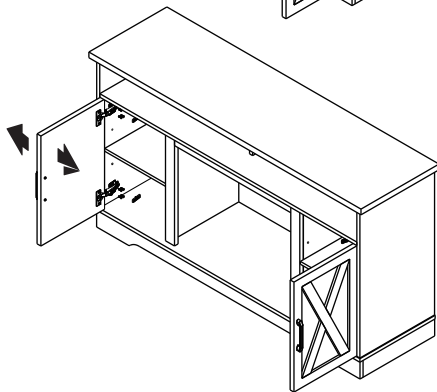
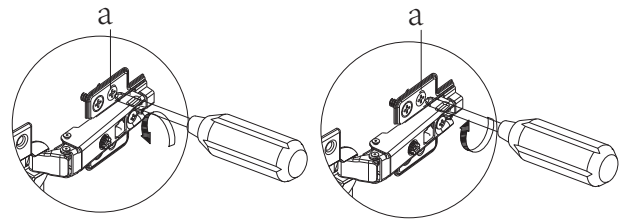
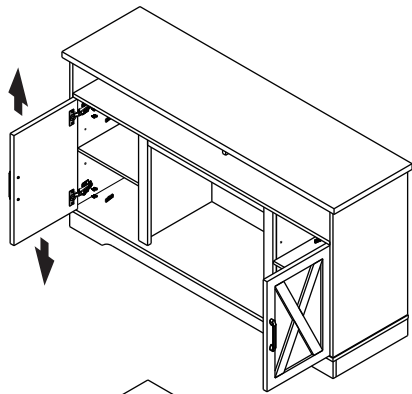
Attach part 10 to part 15, 16 using hinge cover(E) and medium screw(F).

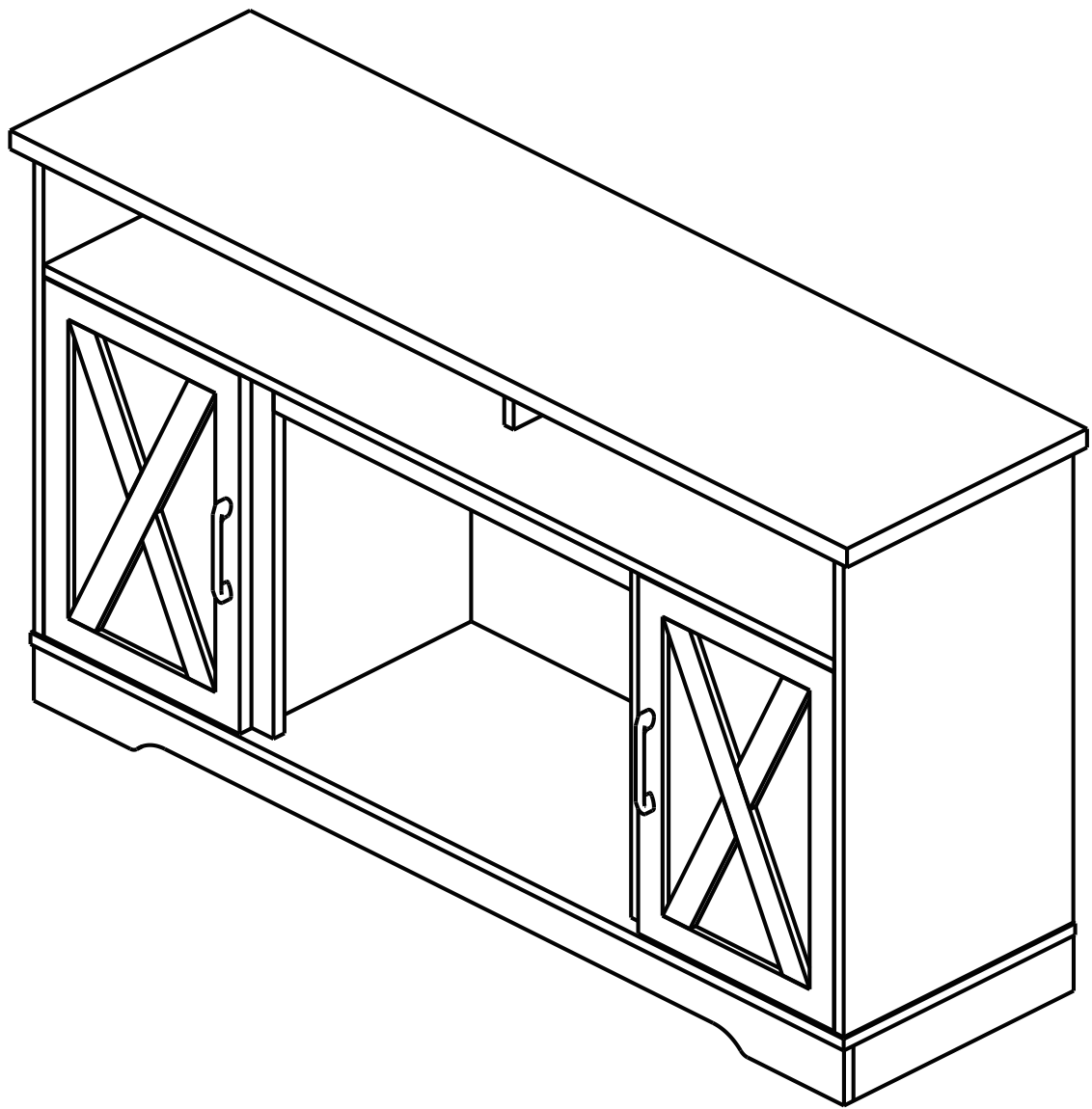
If you need to adjust the doors, do so in the following manner.

To adjust door up or down, loosen screws (a) on both hinges, adjust door, and retighten screws.

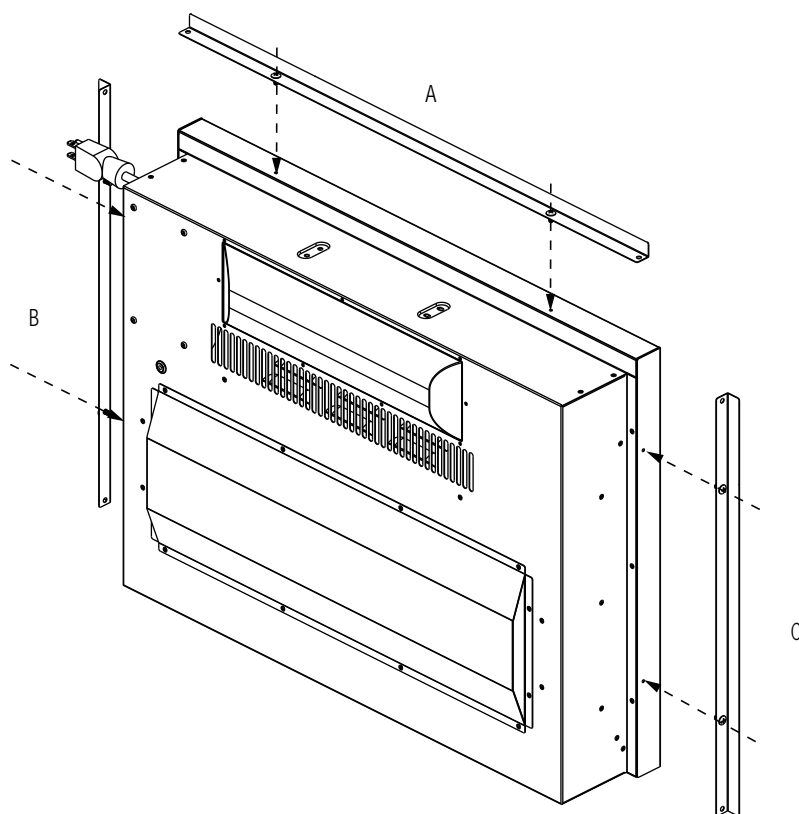
To adjust door left or right, turn screws (b) on both hinges, in and out.

To adjust door in or out, loosen screws (c) on both hinges, adjust door, and retighten screws.



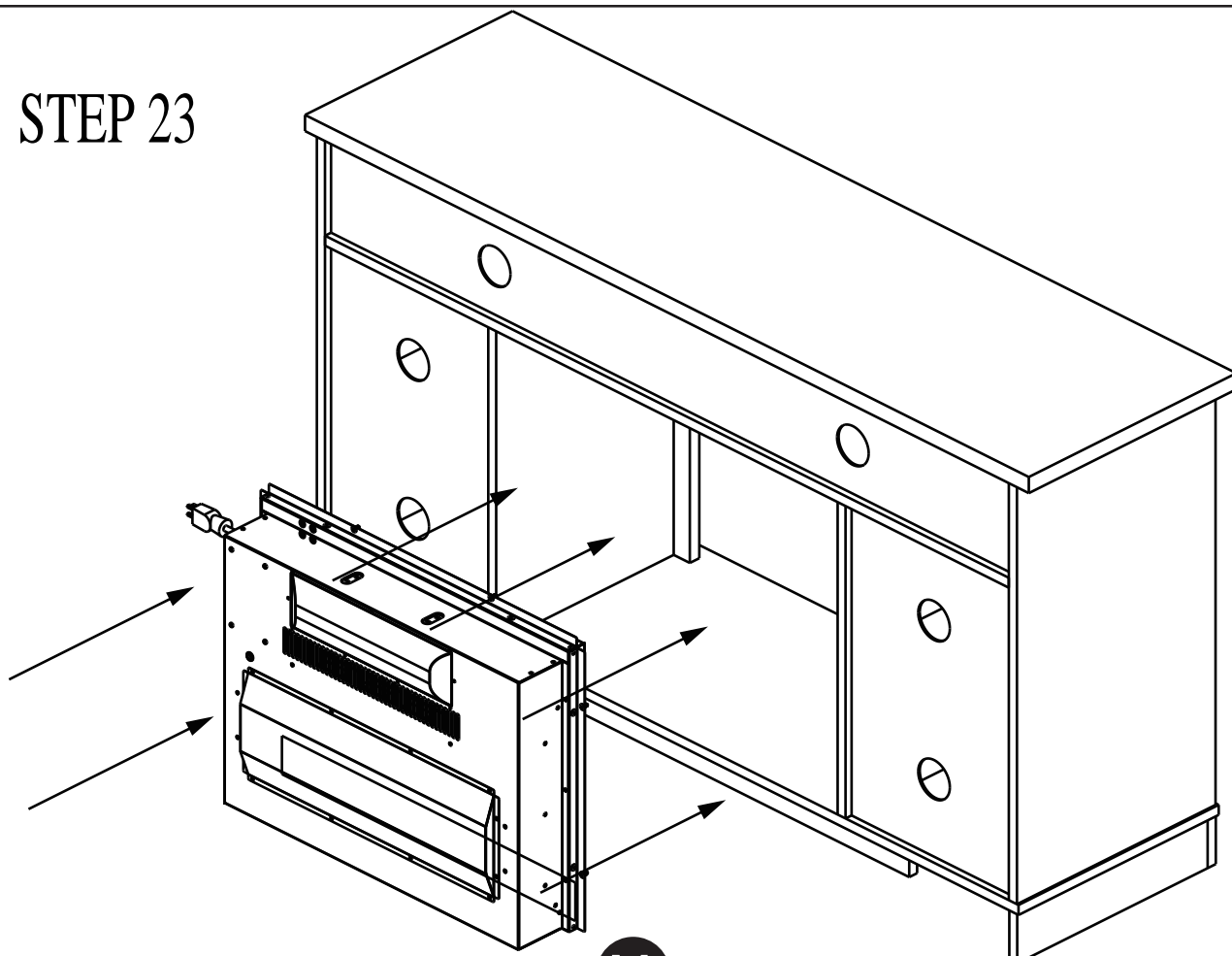


## STEP 22

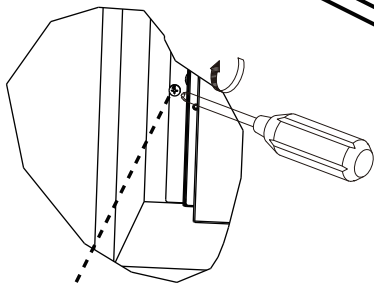
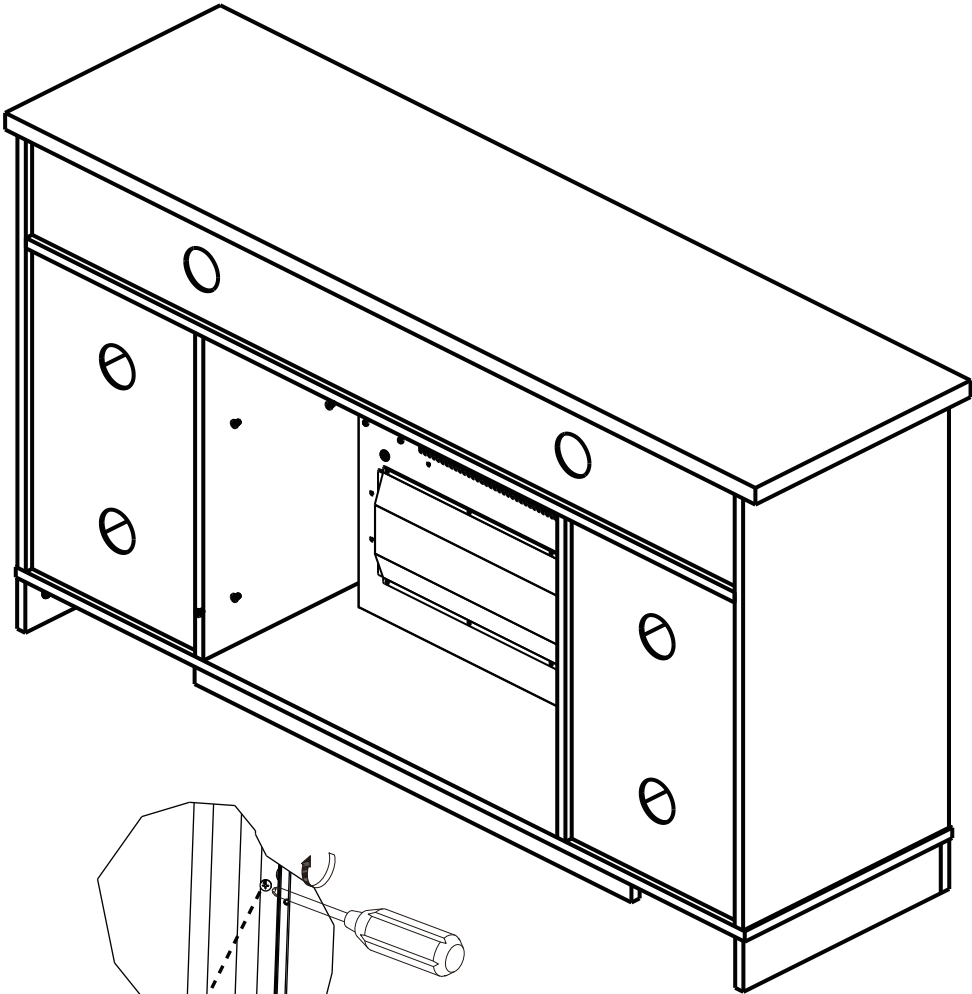


Attach part A,B,C on fireplace using 6 screws.

## STEP 23

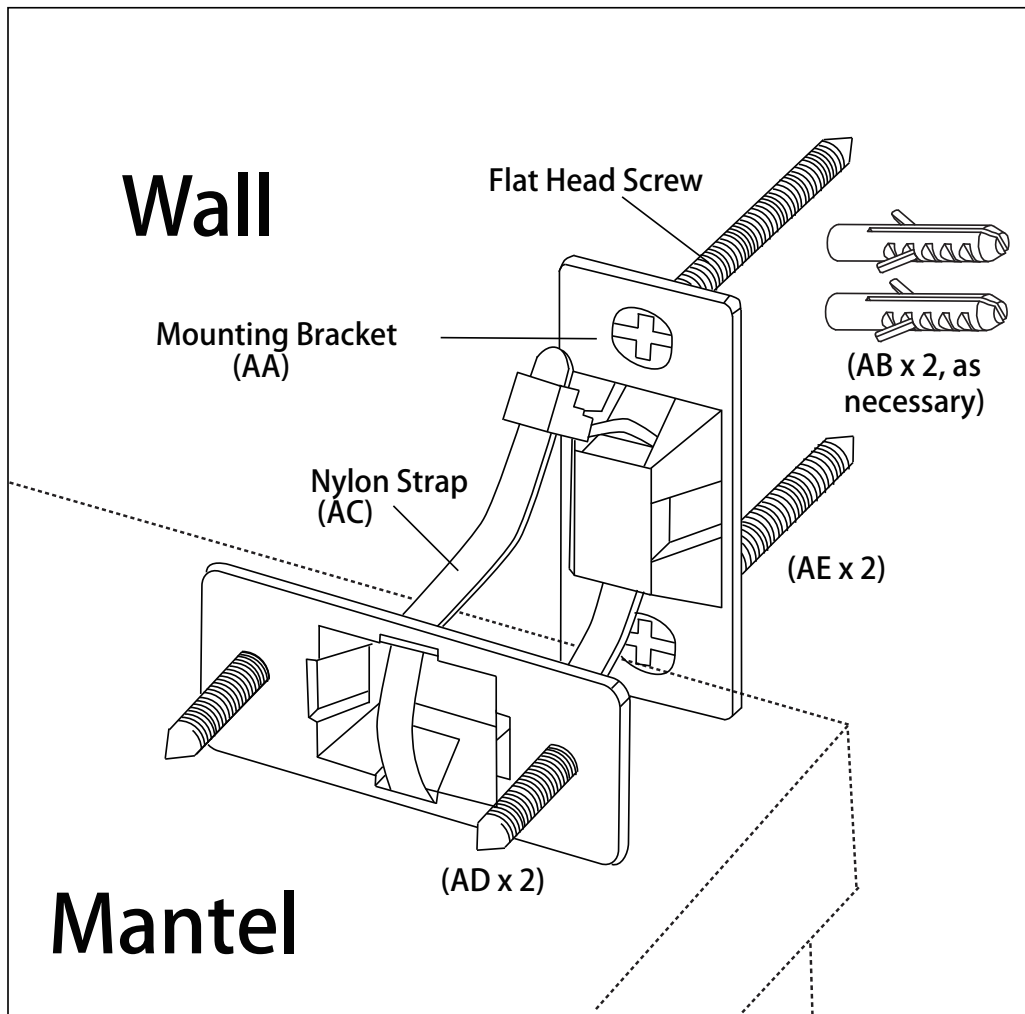


Fix fireplace in the mantel using screws(M)with a **M** X6 screwdriver..



**M** X6

assembly  
anchoring the media console



care and maintenance



- Do not use abrasive or chemical cleaners. Discolouring or damage to finish may result. To adjust door left or right, turn screws (b) on both hinges, in and out.

Clean media console with a non-abrasive cloth. Clean as often as necessary.

note:

Excessive sun exposure may cause discolouring or fading of media console finish.