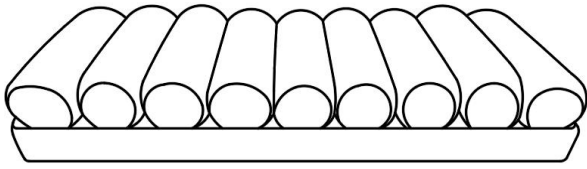


ASSEMBLY INSTRUCTION

<<Before assembling,read all the instruction>>

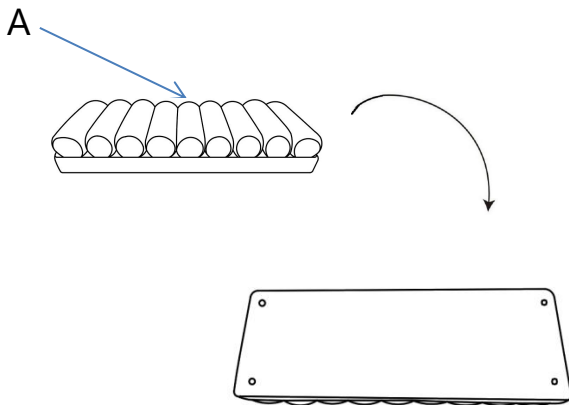


1PCS A

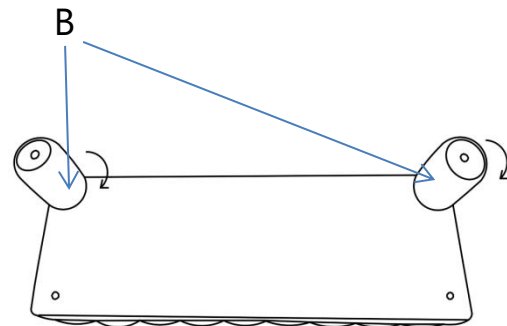


4PCS B

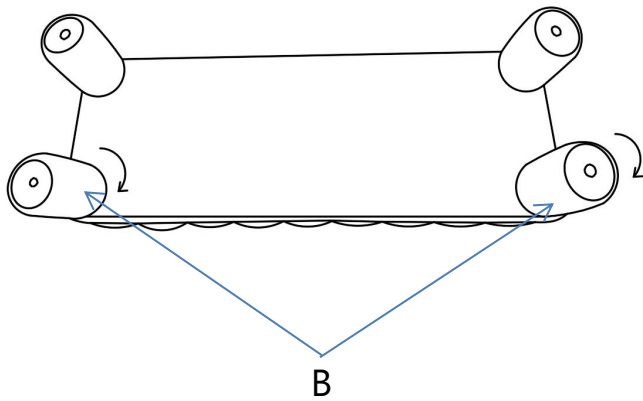
Step 1



Step 2



Step 3



Step 4

