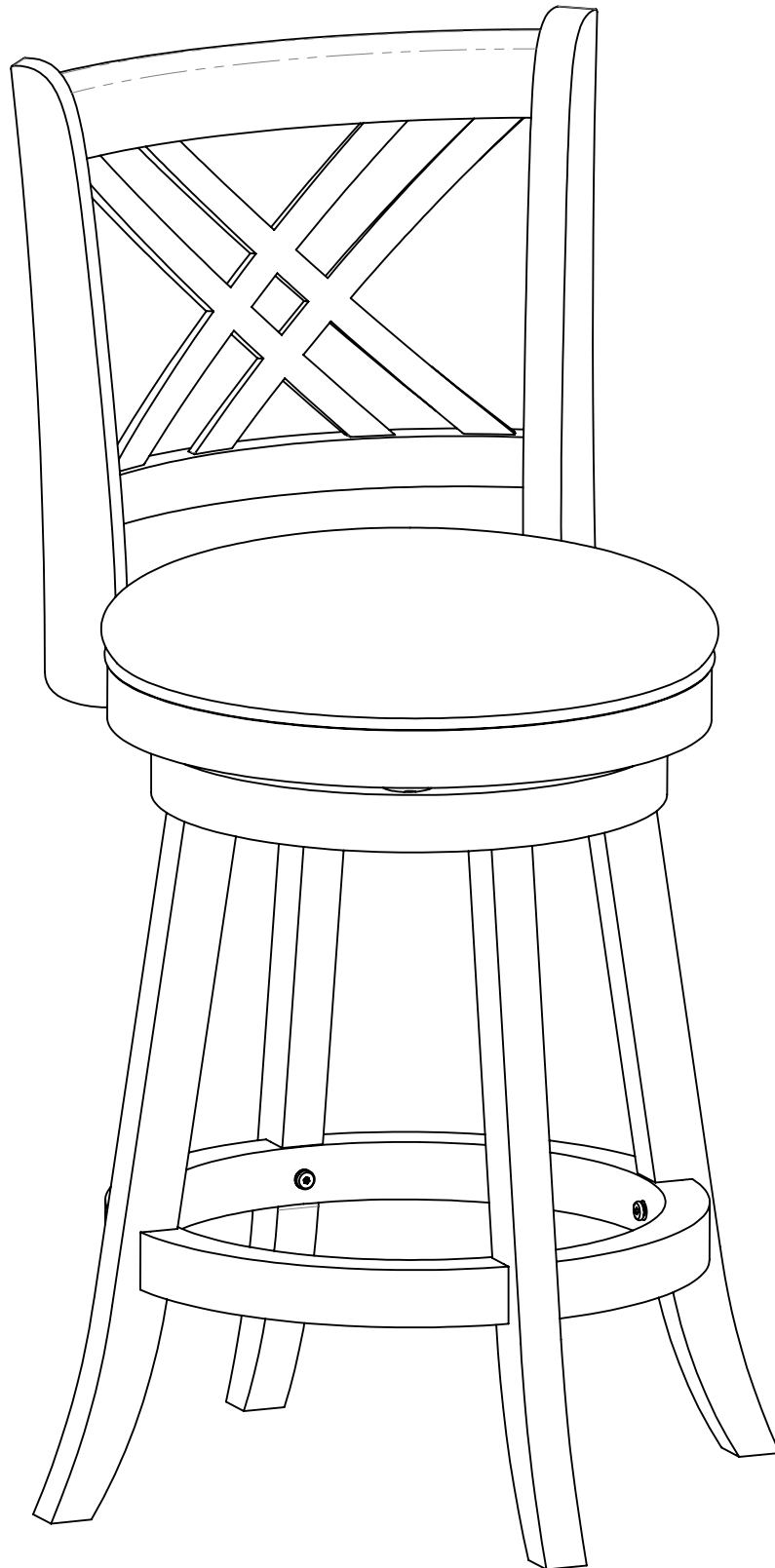
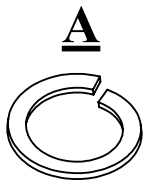
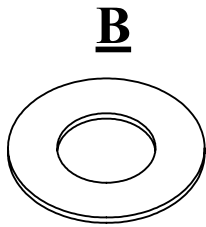


SWIVEL STOOL
ASSEMBLY INSTRUCTIONS

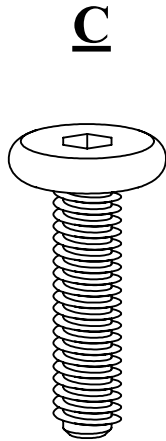




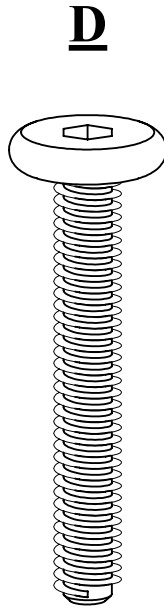
18 PCS



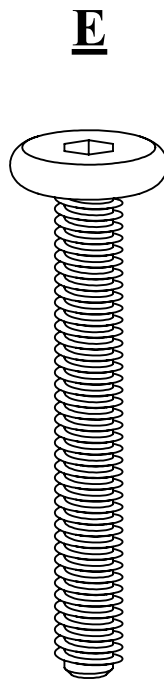
18 PCS



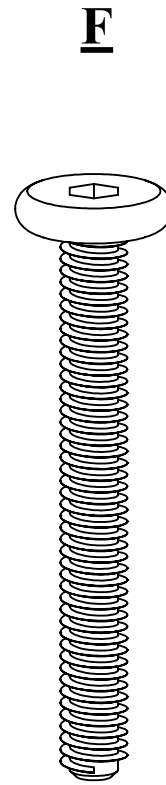
4 PCS



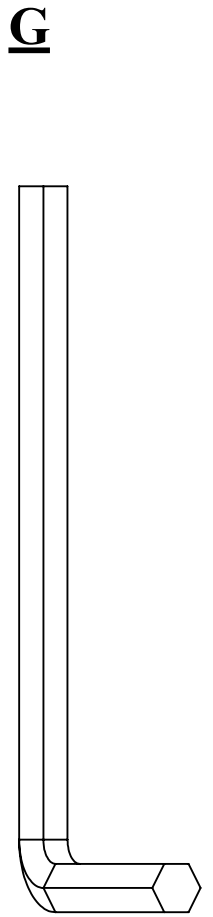
8 PCS



2 PCS

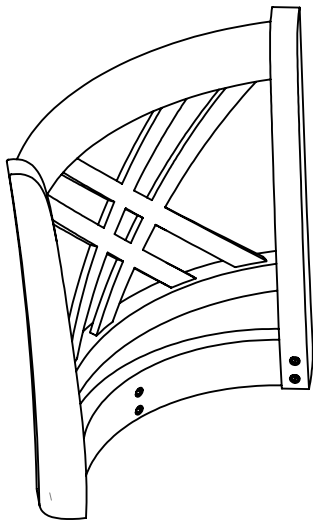


4 PCS

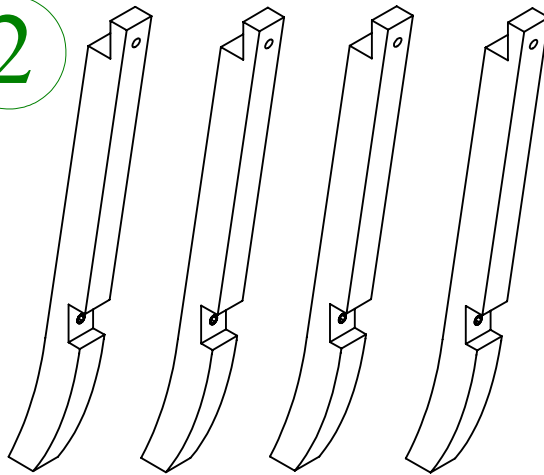


1 PC

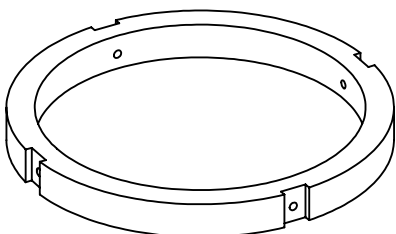
1



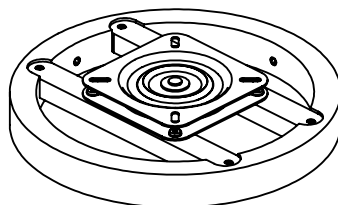
2



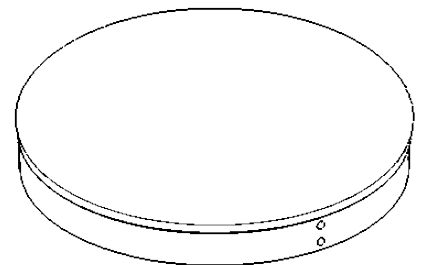
3



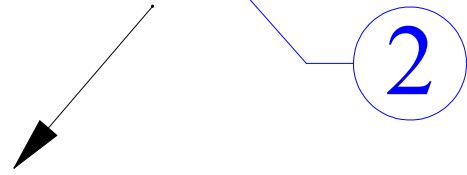
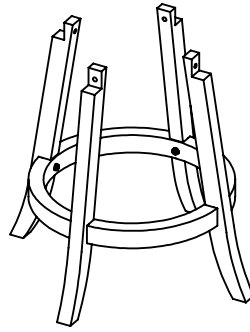
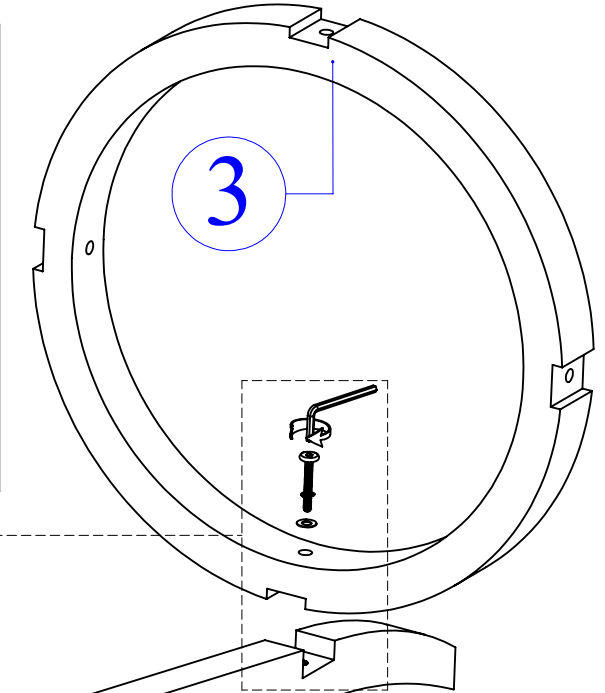
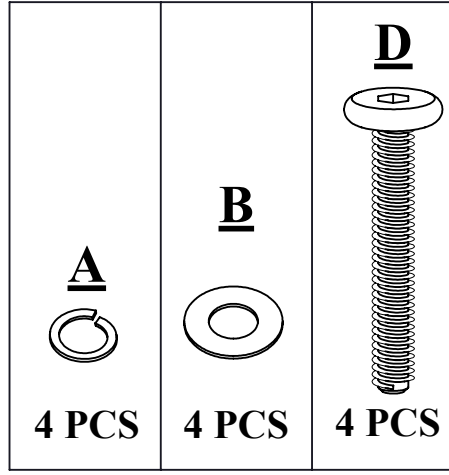
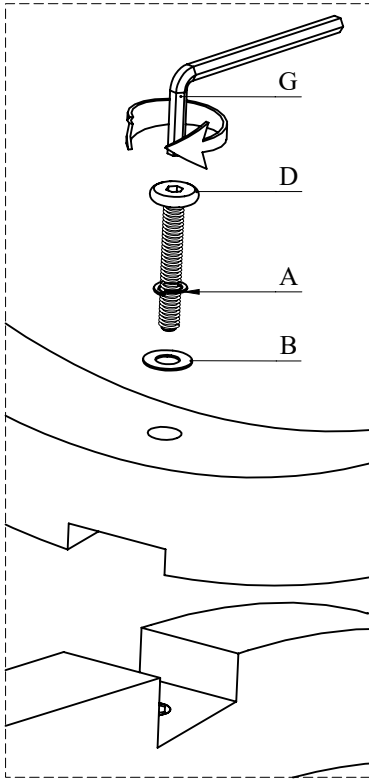
4



5

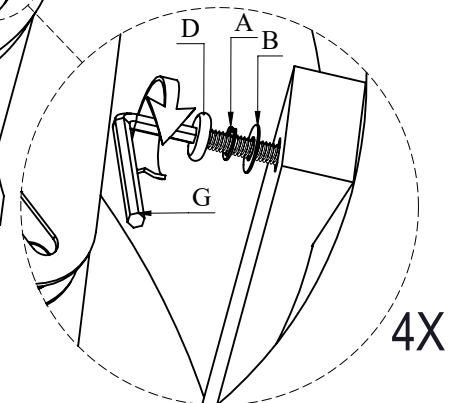
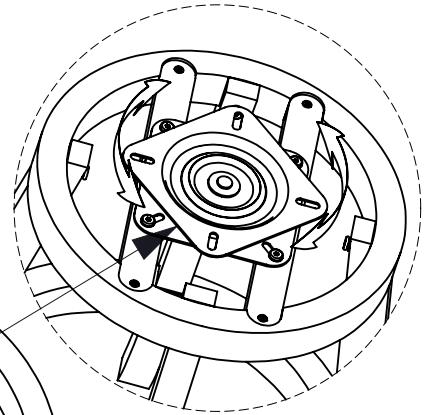
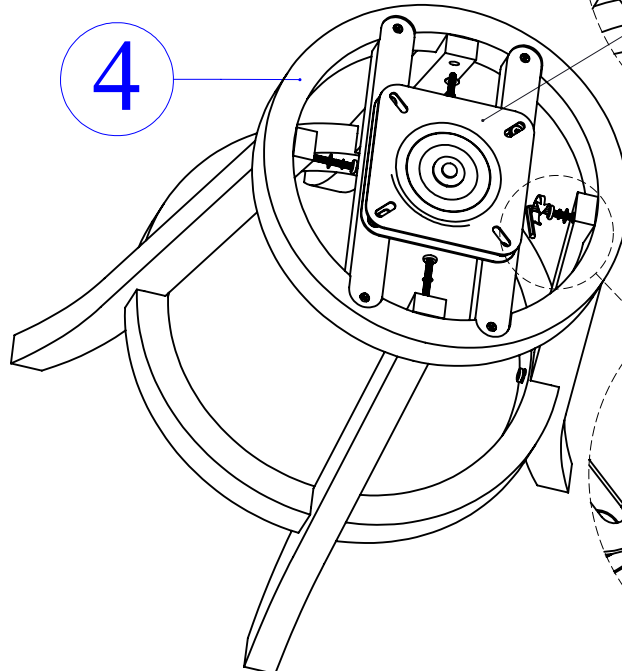
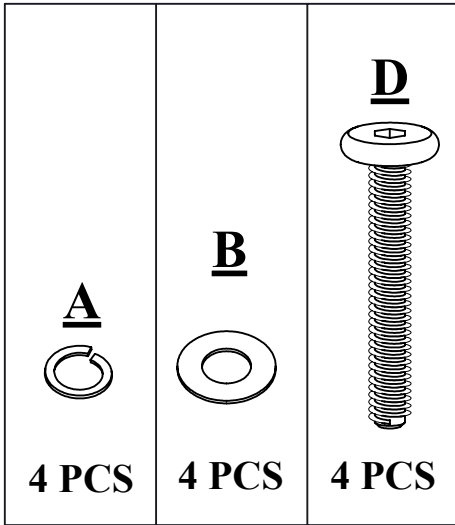


01



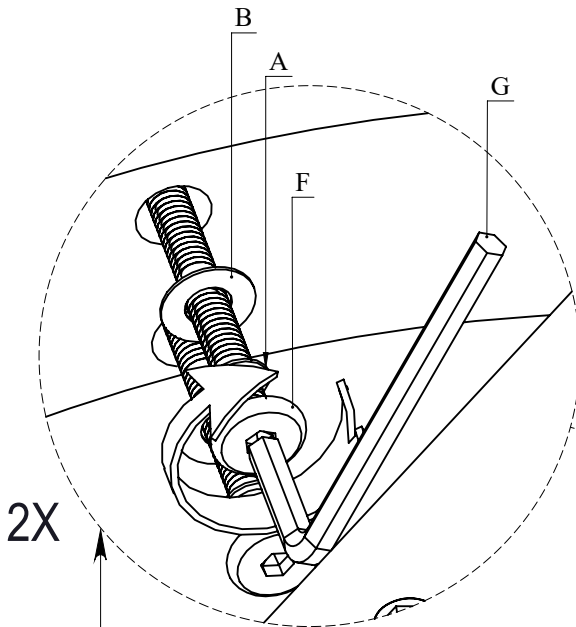
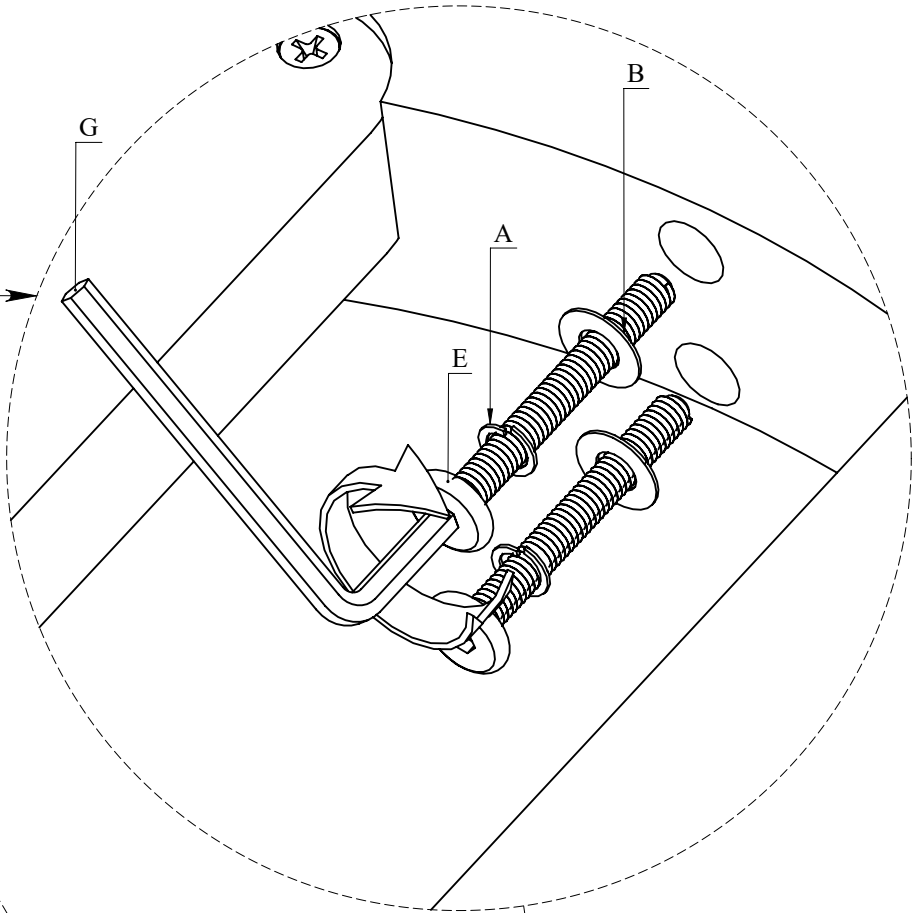
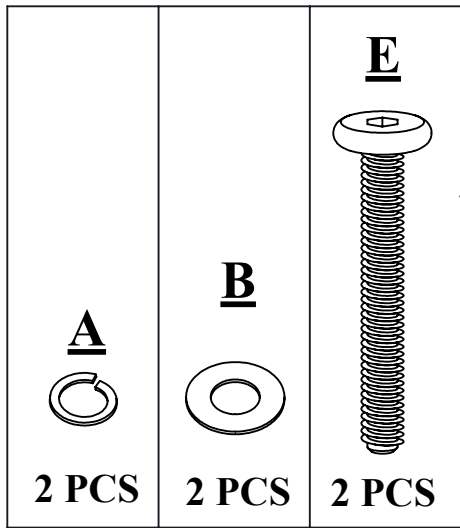
DO NOT TIGHTEN BOLT COMPLETELY.

02

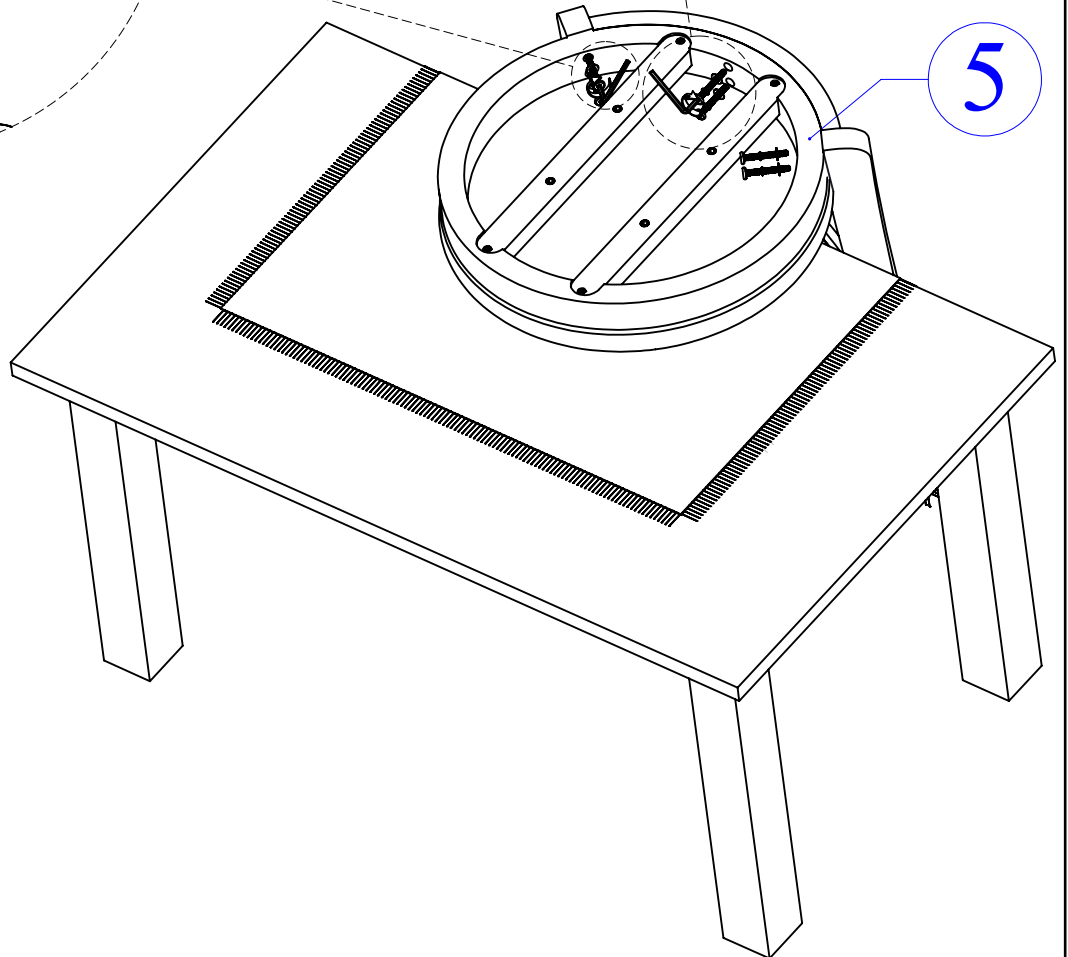
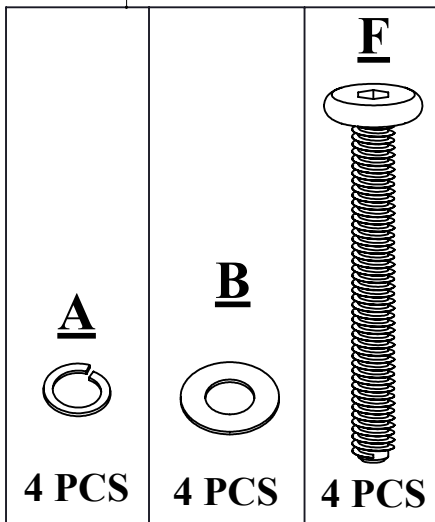


TIGHTEN BOLT COMPLETELY.

03

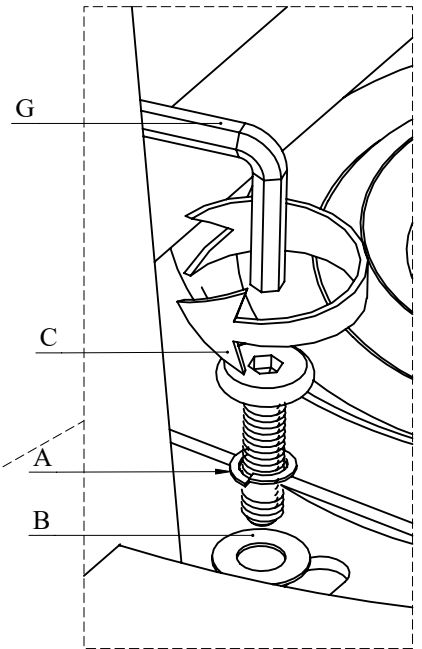
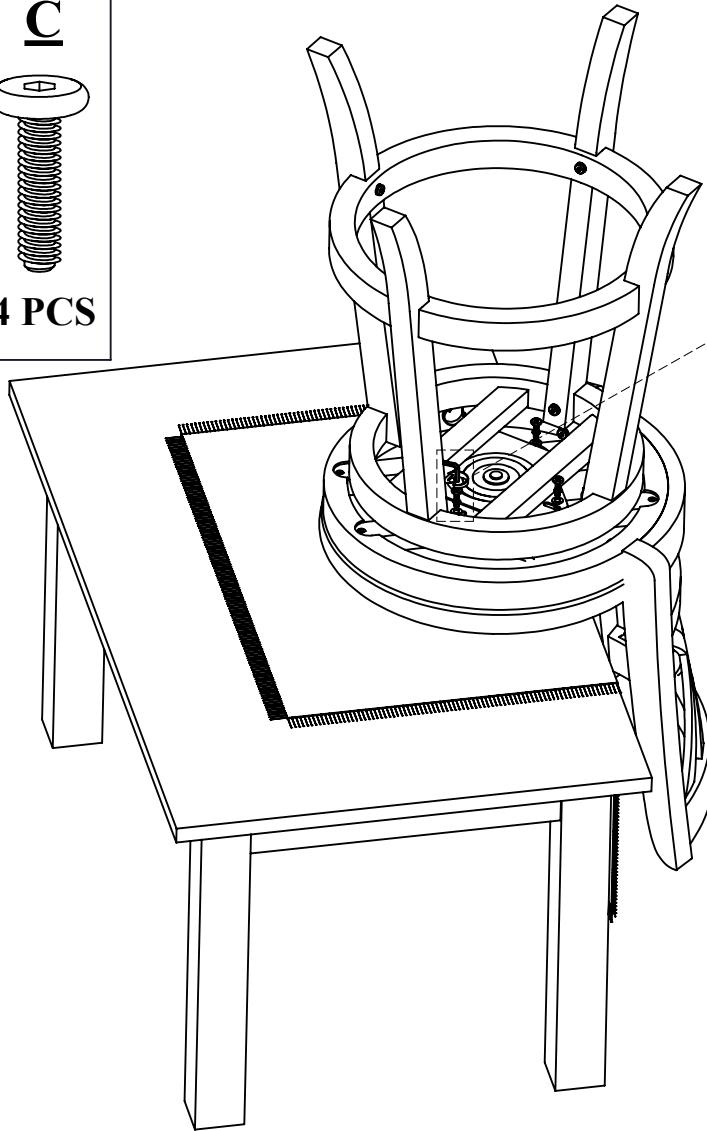
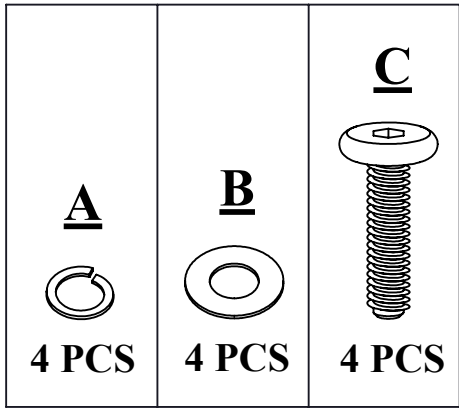


2X



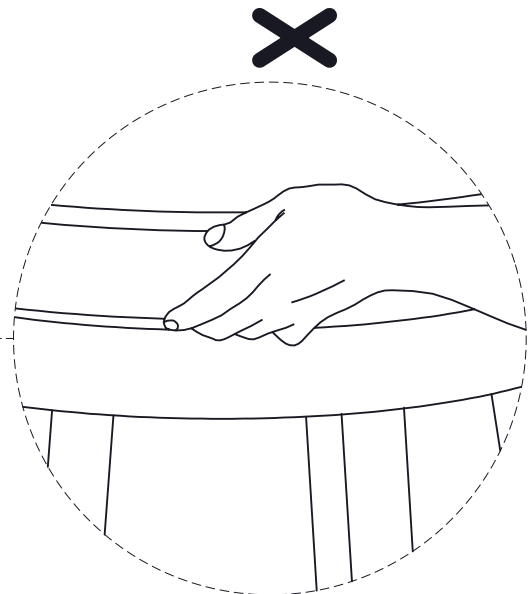
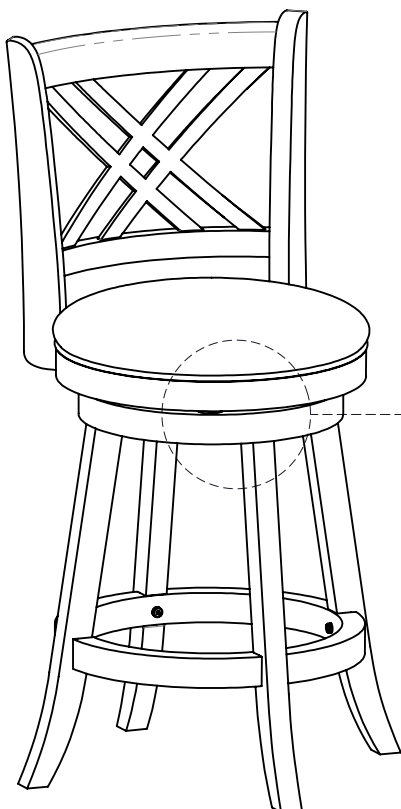
TIGHTEN BOLT COMPLETELY.

04



4X

TIGHTEN BOLT COMPLETELY.



BE SURE TO CHECK ALL BOLTS ARE SECURELY TIGHTENED PRIOR USING THIS STOOL.