

ASSEMBLY INSTRUCTION

Notes Before Assembly

1. This Sleeper sofa Bed combines a Pull-out Bed and a chaise lounge component. You can customize the sofa's orientation and layout to suit your room configuration, For example, a sofa bed with a chaise lounge that can be turned in different directions, or an extra-large U-shaped sofa bed.
2. The sofa is shipped in multiple boxes. We recommend that you unpack and begin assembly only after receiving all boxes. If any parts are damaged or missing, there's no need to return the product. We'll be happy to assist you and send replacement parts free of charge.
3. To ensure safe and satisfactory assembly, please read the following instructions carefully. Arrange for 2-4 adults to assemble the sofa based on the product size. It's important to assemble it on a clean, scratch-free surface. **Please keep all Boxes until assembly is completed.**
4. Some key components of your product may be stored inside other parts. Please open any zippered or hook-and-loop compartments to retrieve all parts. (For example, **some side panels are hidden inside the backrest (part B).**)
5. Our cushions are vacuum-packed for easy shipping. Please allow 2-3 days for them to fully expand to their original shape and remove any wrinkles.



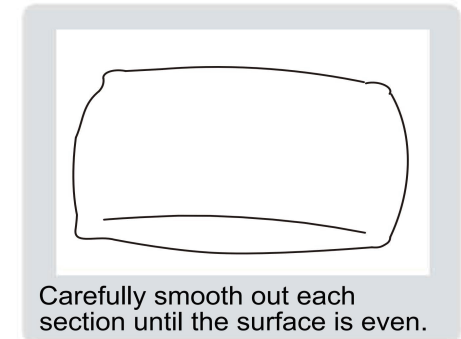
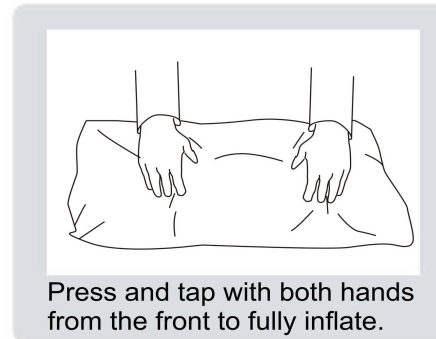
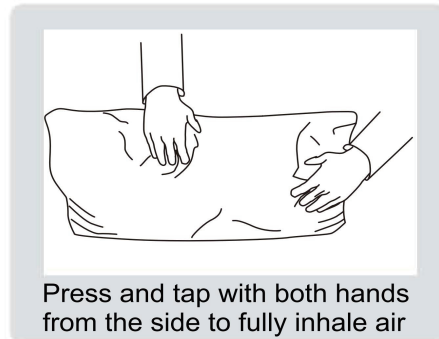
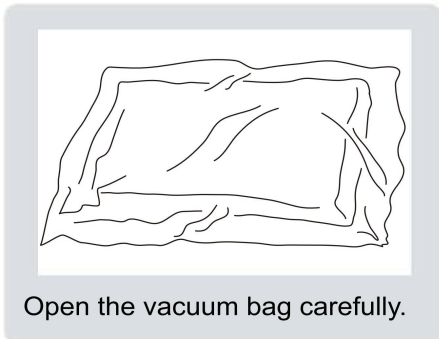
Safety and Care Advice

Important – Please read these instructions fully before starting assembly

Thanks for your purchase. Before the assembly, please follow the instruction to check if all the spare parts and screws are intact.

- Considering the size and weight of the sofa, we recommend two adults to assemble the sofa, on a carpeted or padded area, in the room that it is intended for. Approximate assembly time: 30 minutes.
- Keep all components and packaging out of reach of children or animals to avoid risk of choking or suffocation.
- Please do not throw away any of the packaging or the instruction until you have checked all the components and hardware and the furniture is fully assembled. Please ensure that the packaging is disposed of in a safe and environmentally friendly way.
- Please do not take off the cover, and do not wash.

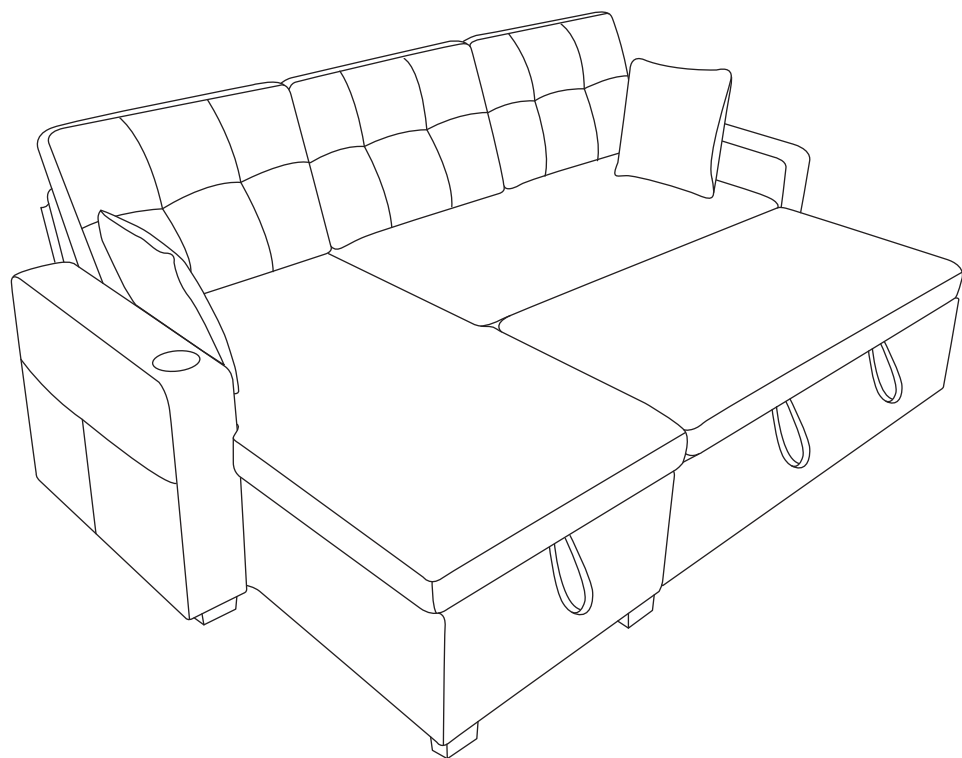
Your cushions come vacuum packed and sealed for shipping. To restore the cushion's original shape, follow the steps below.



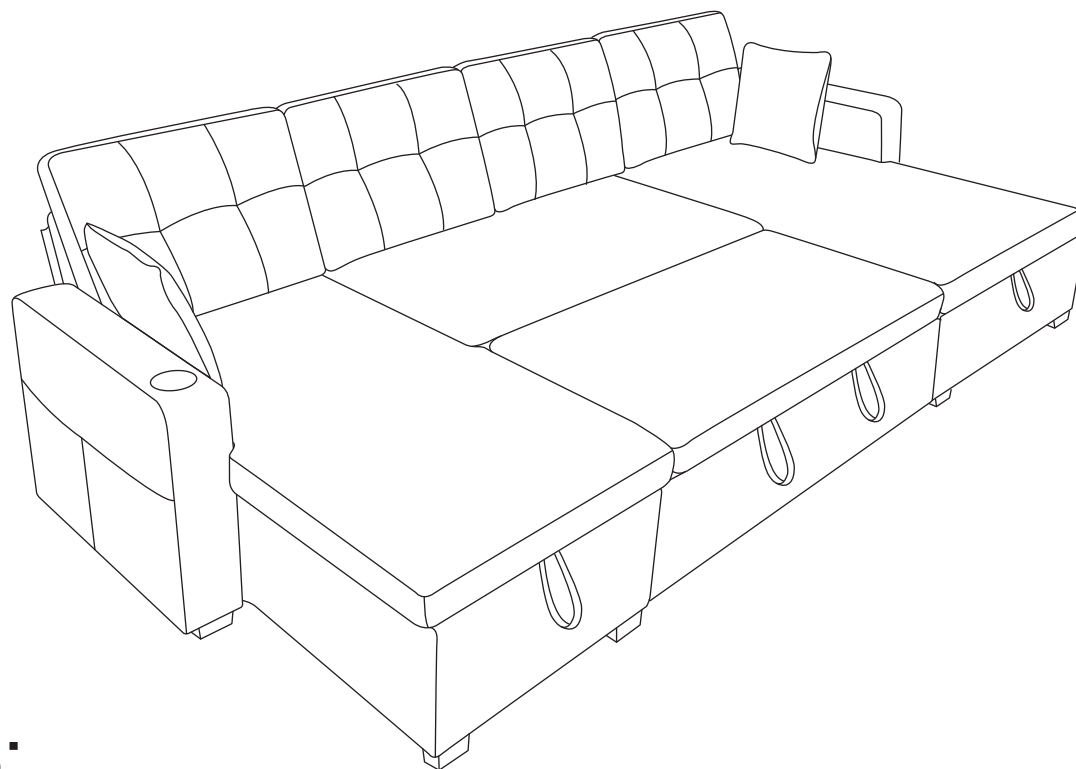
After packing up, place them in somewhere dry and ventilated. After about 72-96 hours, it can be restored to the best use condition.

Multiple Combinations Available Based on Your Purchase

L-Shaped:BoxA+BoxB



U-Shaped:BoxA+BoxB+BoxC



IMPORTANT SHIPPING NOTES:


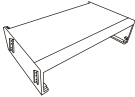
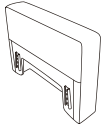


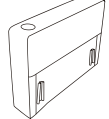
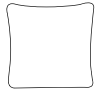




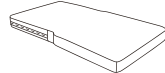




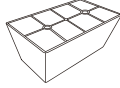





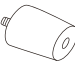


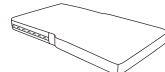




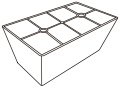



L-Shaped Sofa: Includes BoxA + BoxB (Total 2 packages).

U-Shaped Sofa: Includes BoxA + BoxB + BoxC (Total 3 packages).

Packing List

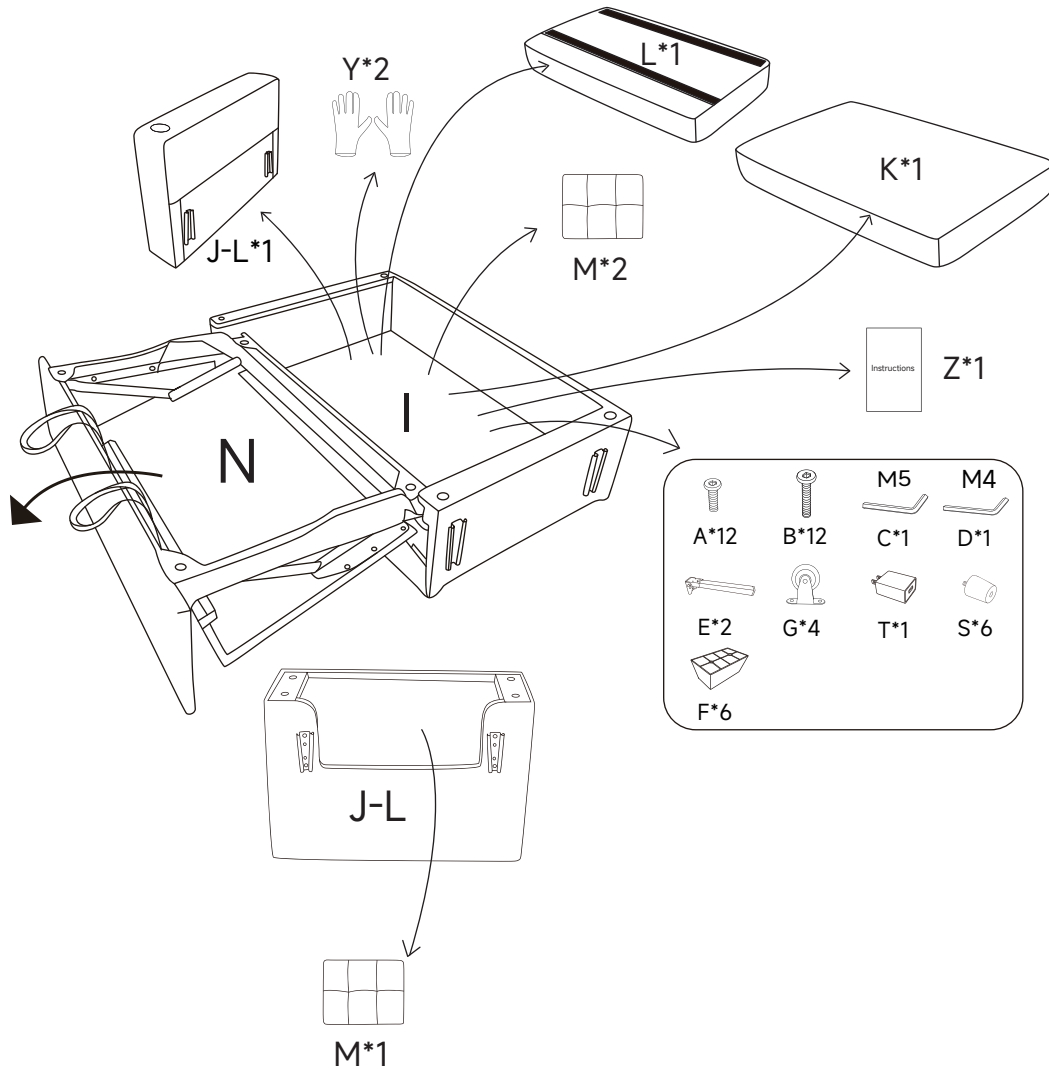
Seller's Notice:

- The following is the list of components contained in each basic box.
- Depending on the configuration you purchase, you may receive multiple different base boxes.
- Please wait until you receive all the boxes and then start the assembly.

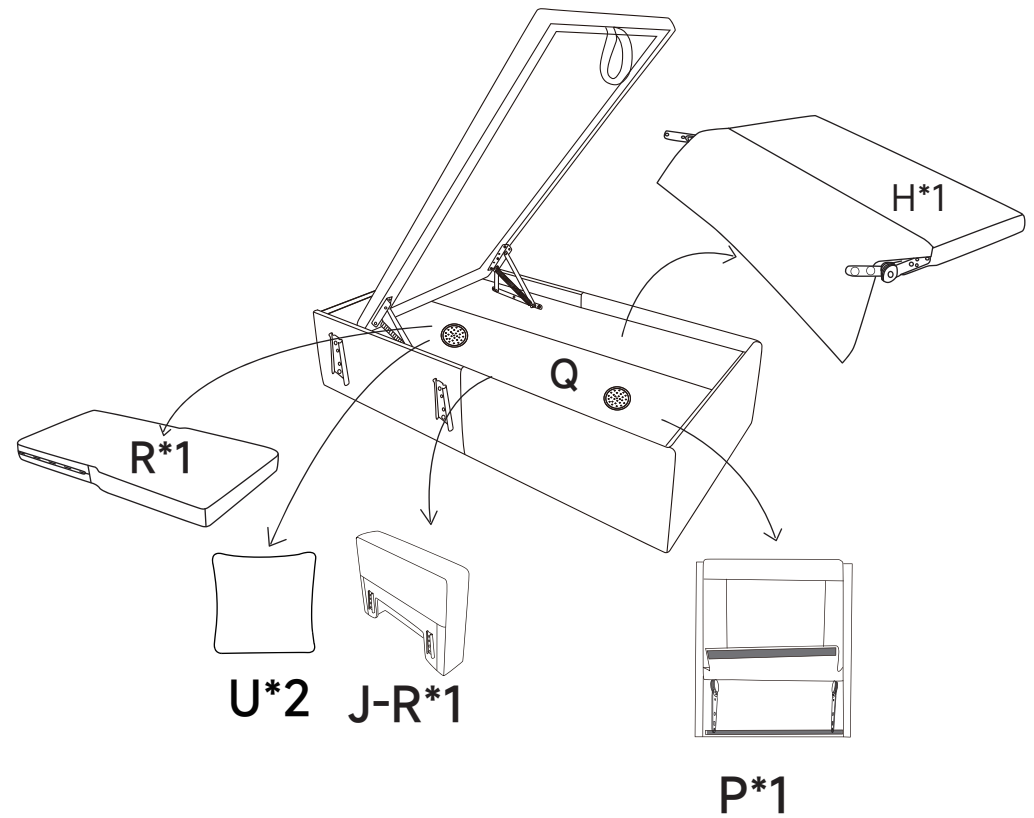
Box-A		Box-B	
A  M6X20mm x12	I  Seat Frame x1	J-R  Facing Right Armrest x1	P  Back Frame x1
B  M8X60mm x12	J-L  Facing Left Arm x1	U  Pillow x2	Q  Seat Frame x1
C  M5 x1	K  Pull out Seat Cushion x1	H  Back Frame x1	R  Seat Cushion x1
D  M4 x1	L  Pull out Seat Cushion x1	Box-C	
E  x2	M  Back Cushion x3	F  x2	P  Back Frame x1
G  x4	N  Pull out Sofa Tray Frame x1	A  M6X20mm x2	Q  Seat Frame x1
S  x6	Z  Instructions x1	S  x2	R  Seat Cushion x1
T  Charger x1	Y  Gloves x2	B  M8X60mm x4	M  Back Cushion x1
F  x6		E  x1	
		C  M5 x1	
		D  M4 x1	

Please Check and Take out the Parts According to the Diagram

Some accessories are stored in the I. Pull out part N broaching machine and take them out.

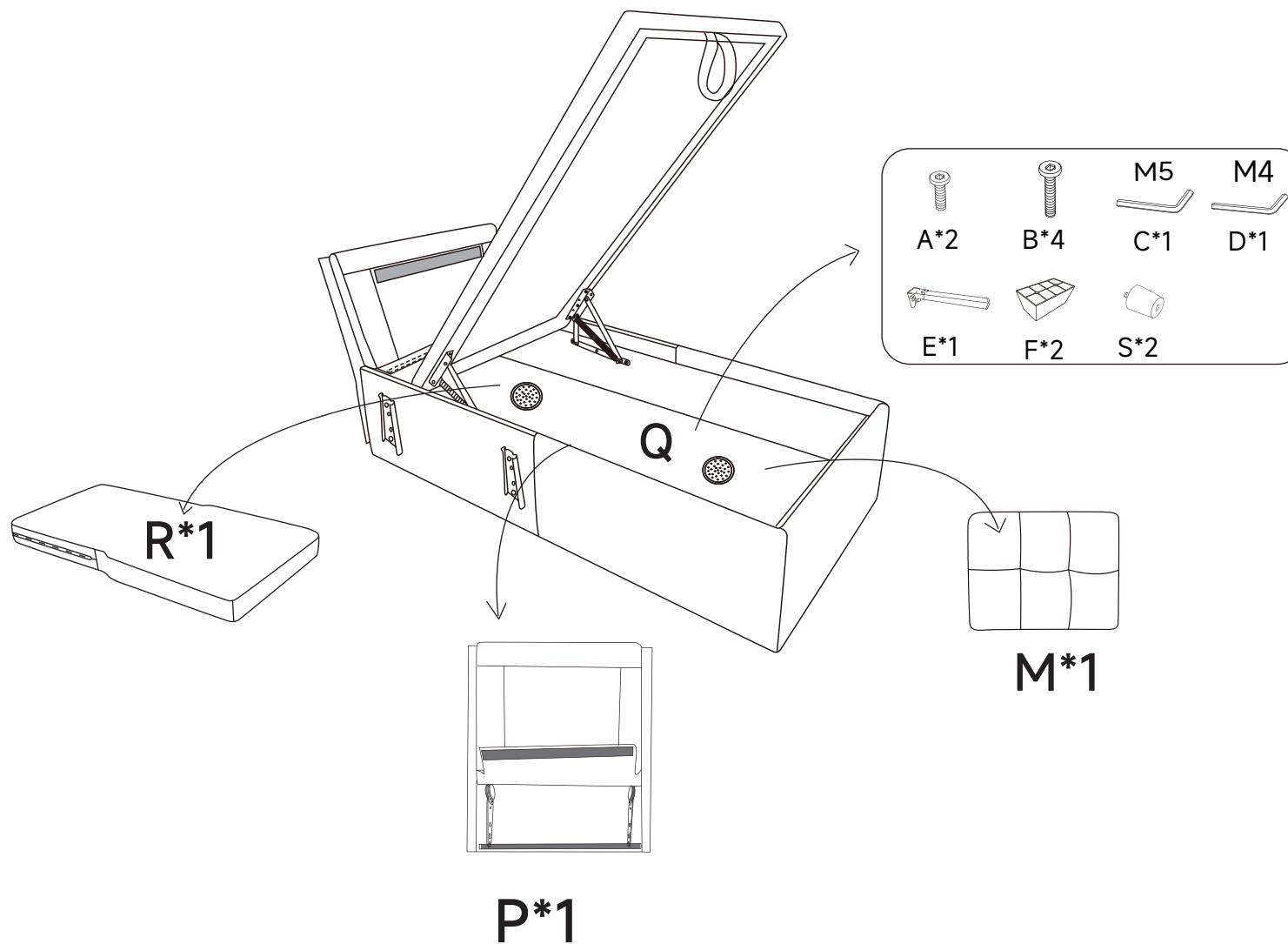


Take F/H/M/P/R/J-R/U accessories out of Q accessory



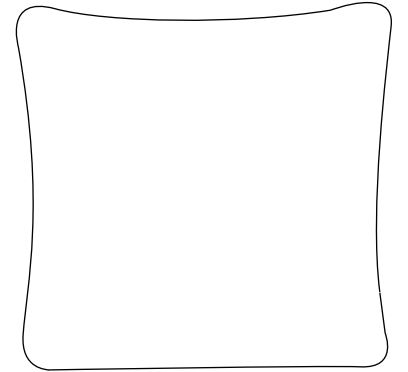
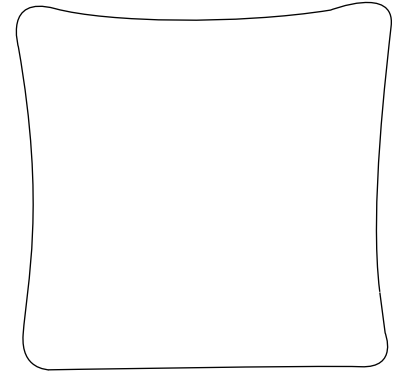
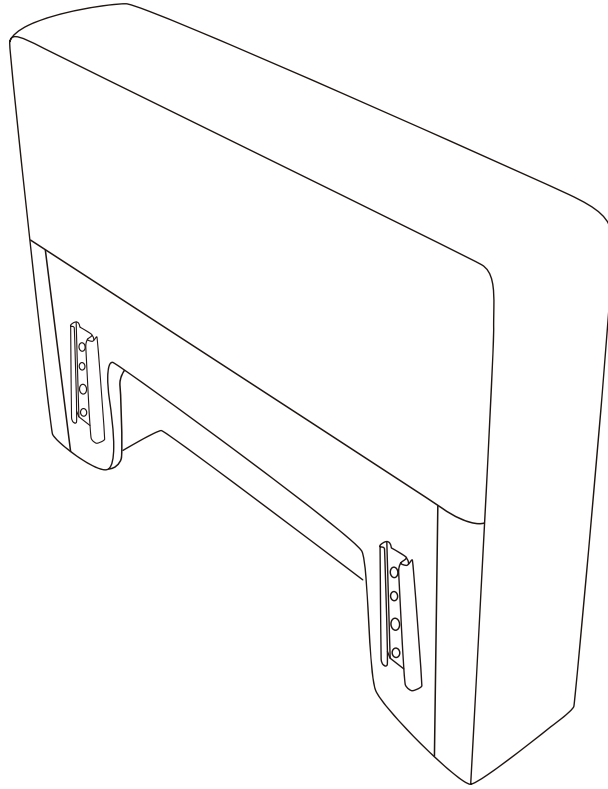
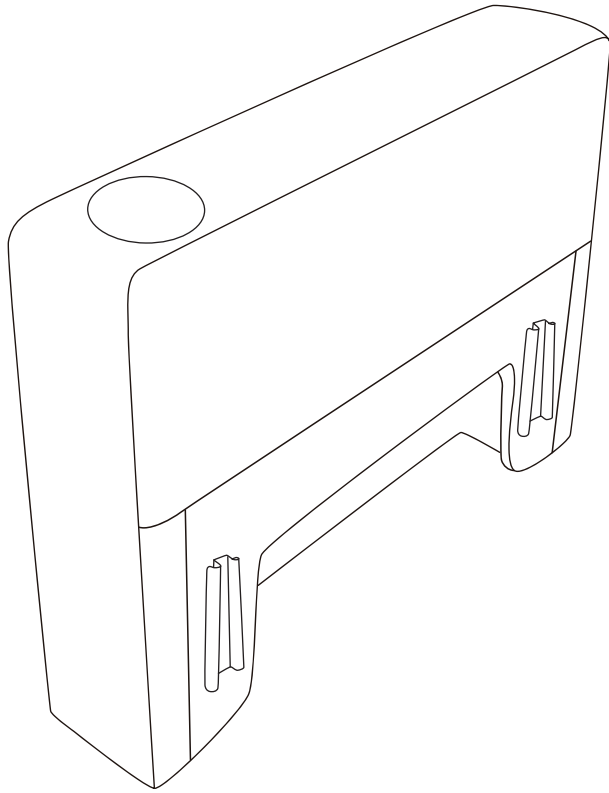
Please Check and Take out the Parts According to the Diagram

Take A/B/C/D/E/F/S/R/M/P accessories out of Q accessory.

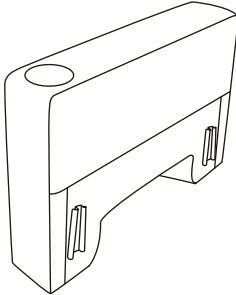
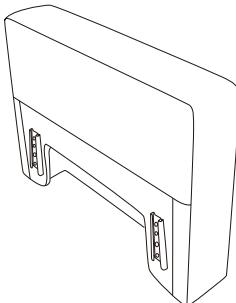
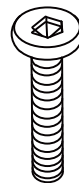

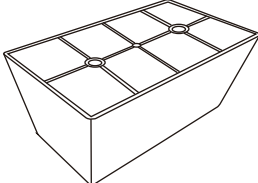
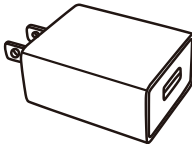
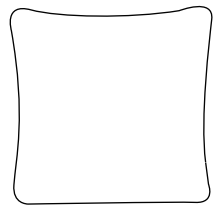


How to Install the Armrest Section


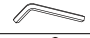

ARMREST MODULE

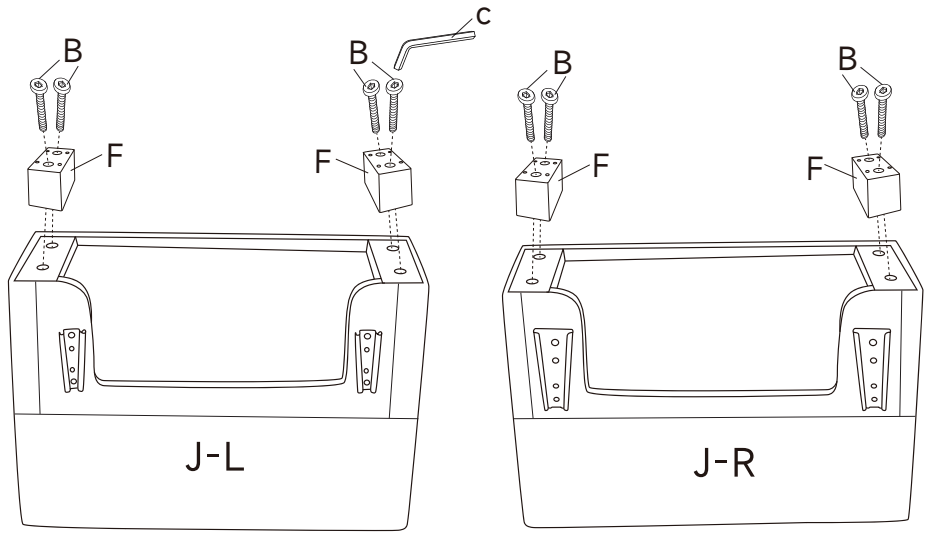


Main Structure Accessories


<p>(J-L)</p>  <p>1pcs</p>	<p>(J-R)</p>  <p>1pcs</p>	<p>(B)</p> <p>M8X60mm</p>  <p>8pcs</p>	<p>(C)</p> <p>M5</p>  <p>1pcs</p>	<p>(F)</p>  <p>4pcs</p>
<p>(T)</p>  <p>1pcs</p>	<p>(U)</p>  <p>2pcs</p>			

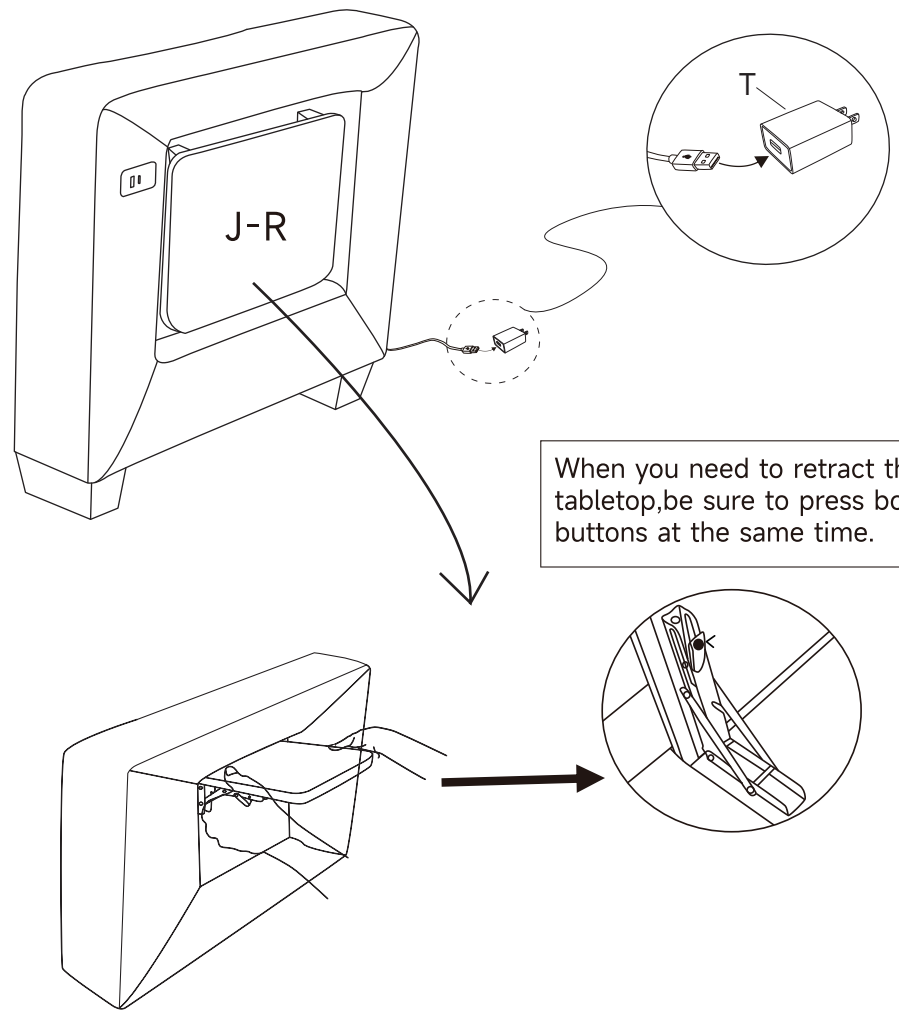
STEP 1

	Bx8
	Cx1
	Fx4

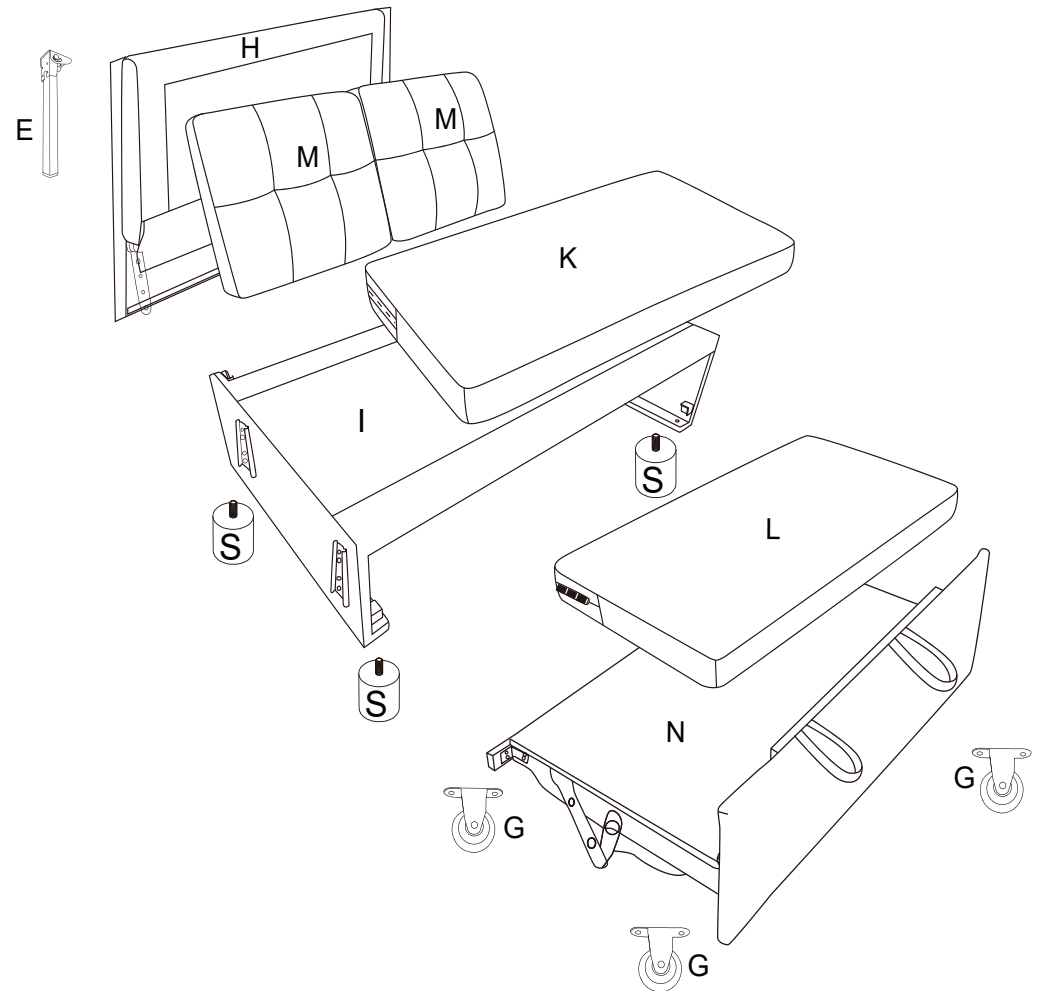
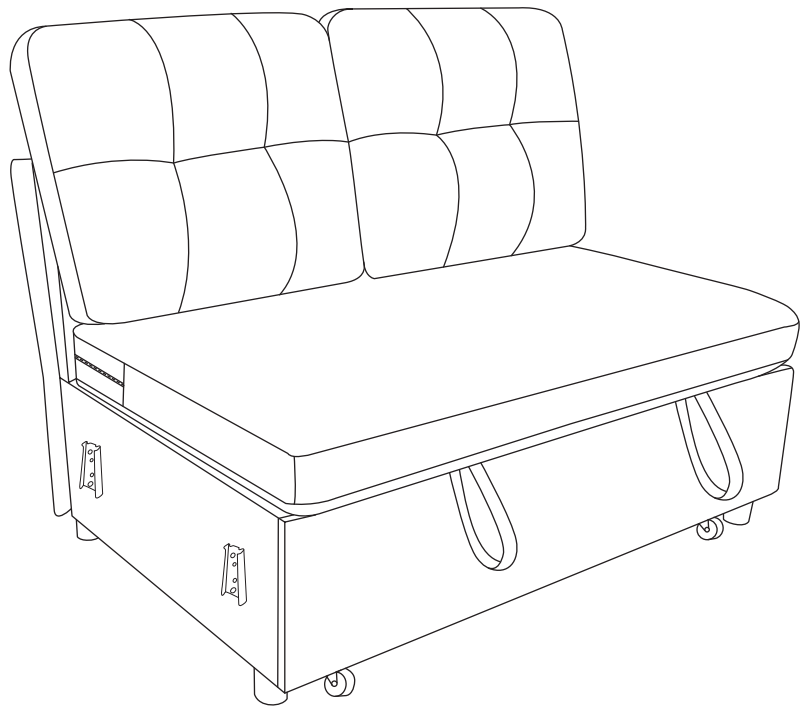


STEP 2

	Tx1
---	-----

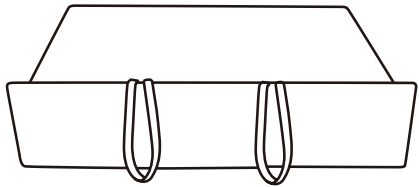


How to Install Loveseat Section



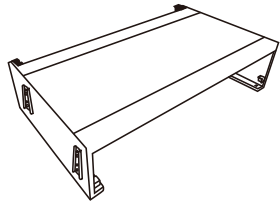
Main Structure Accessories

N



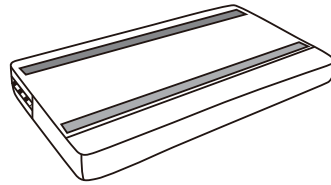
1pcs

I



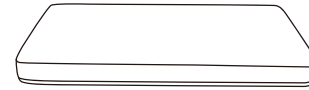
1pcs

L



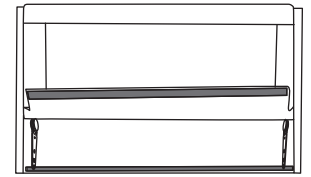
1pcs

K



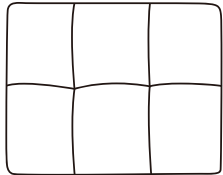
1pcs

H



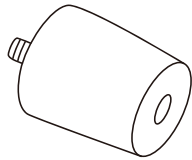
1pcs

M



2pcs

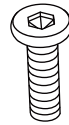
S



4pcs

A

M6X20mm



10pcs

D

M4



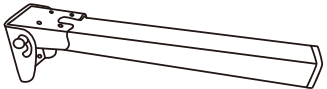
1pcs

G






4pcs

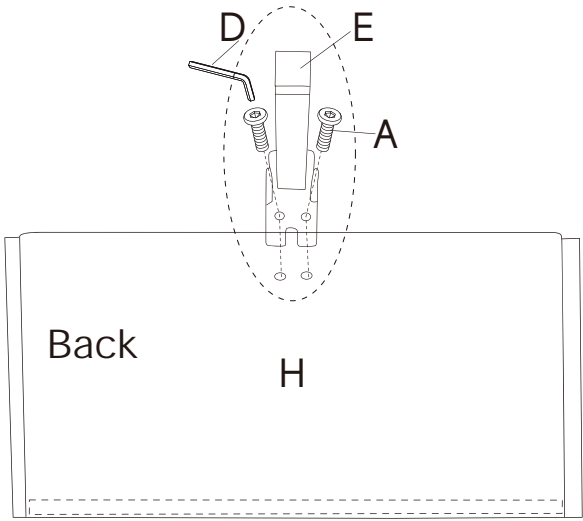
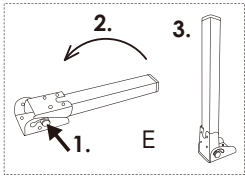
E



1pcs

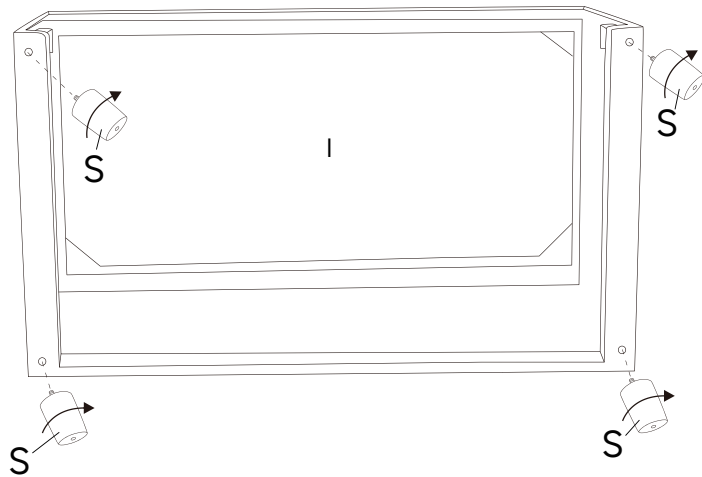
STEP 1

	Ax2
	Dx1
	Ex2

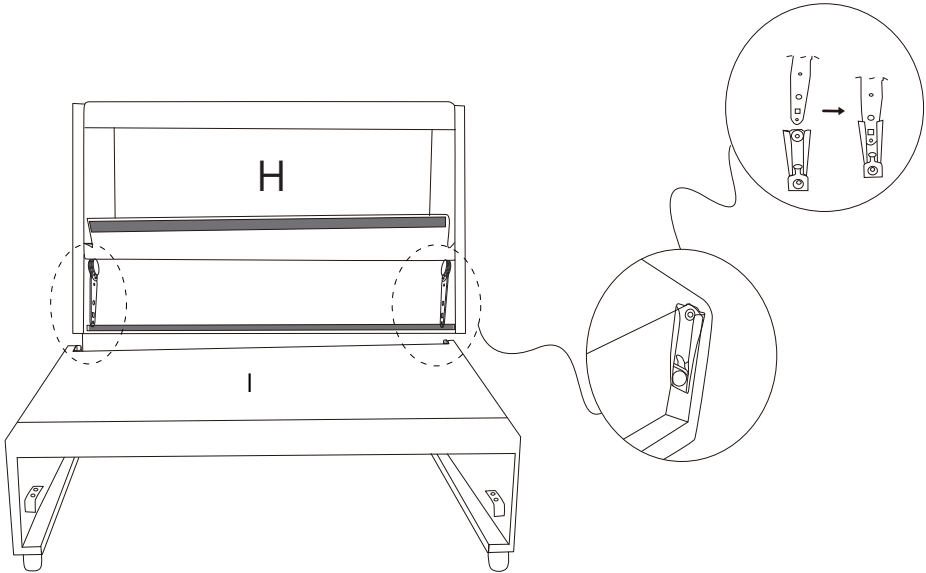


STEP 2

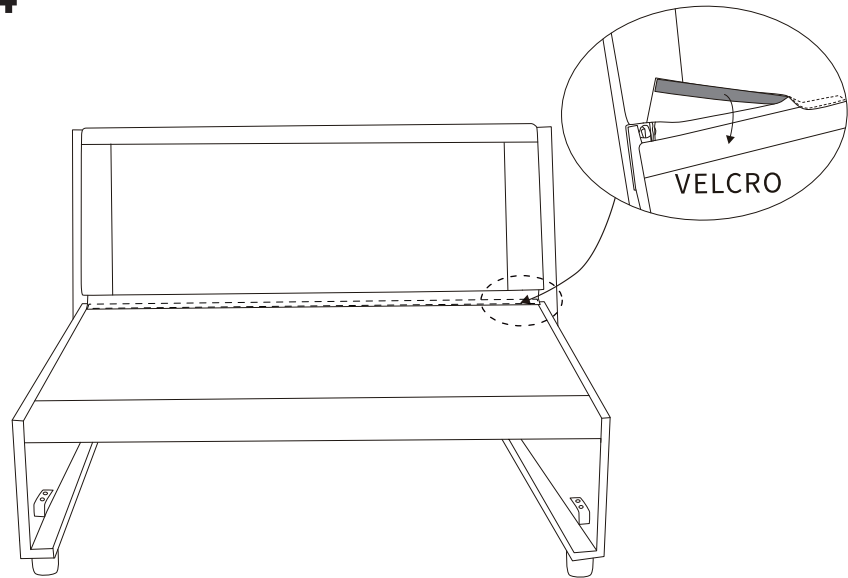
	Sx4
---	-----



STEP 3

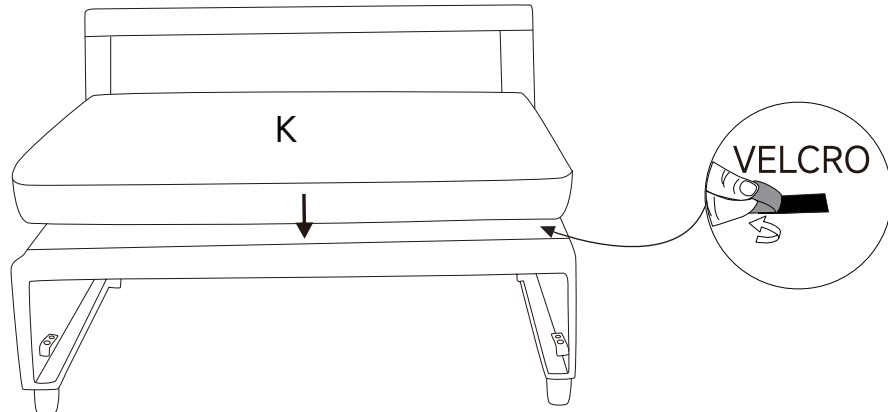


STEP 4



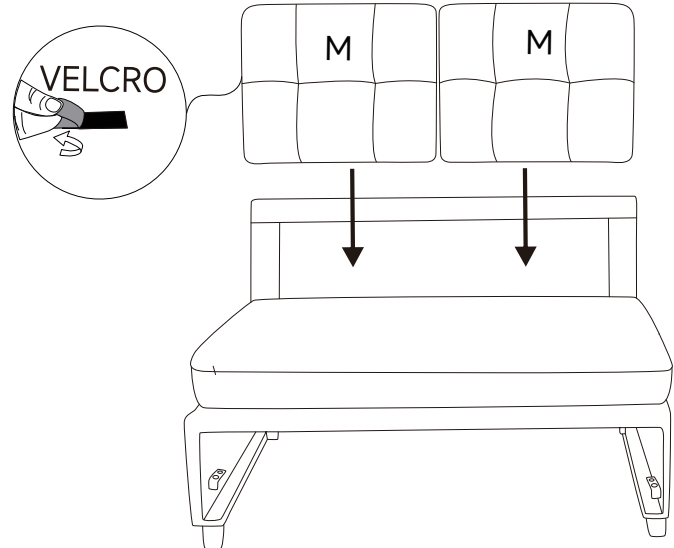
STEP 5

Remove the Velcro from the bottom of the seat cushion (K) and place the seat cushion (I) back into position.






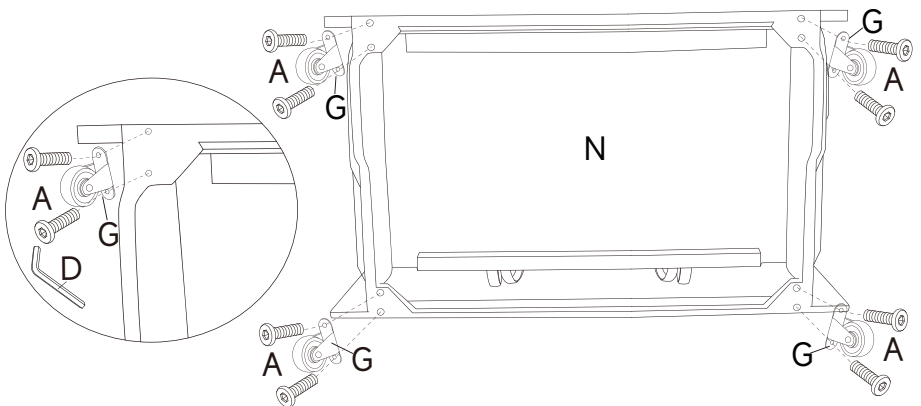
STEP 6

Peel off the Velcro from the bottom of the back cushion (M*2), and place the back cushion (M*2) back into position.

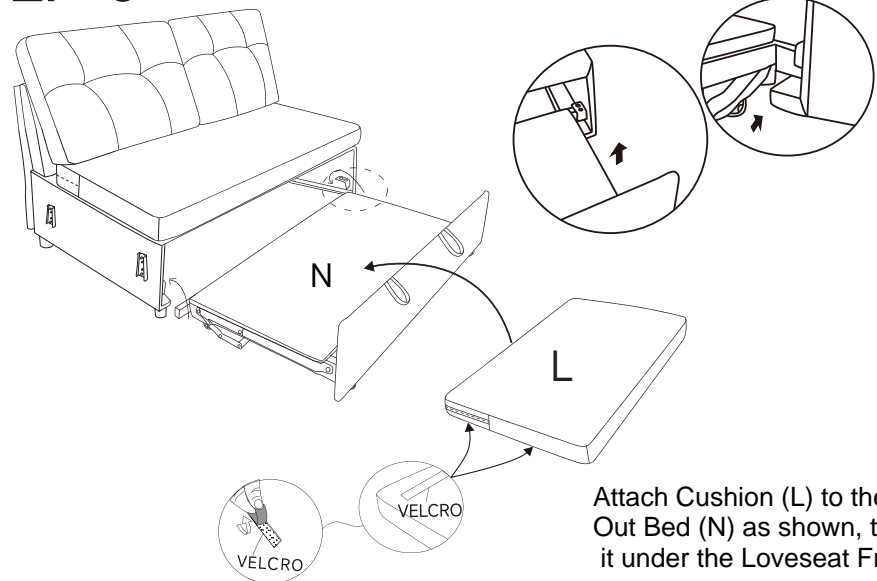


STEP 7

	AX8
	DX1
	GX4

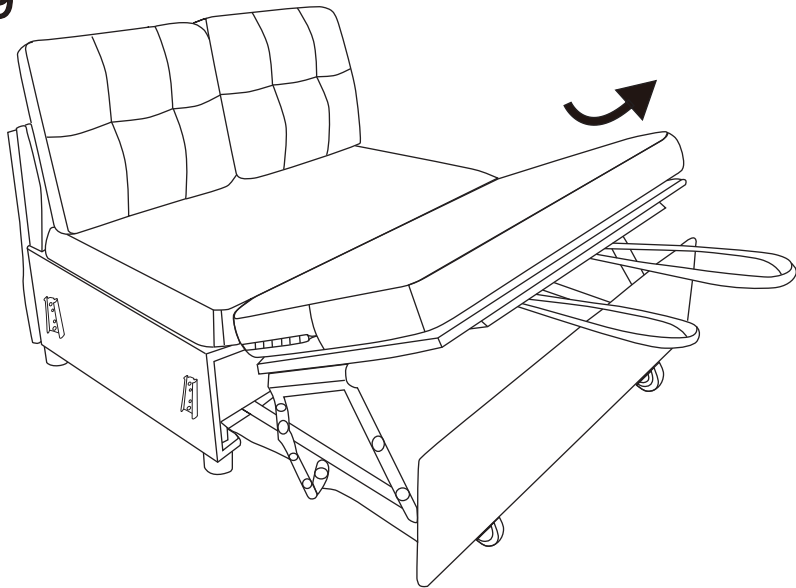


STEP 8



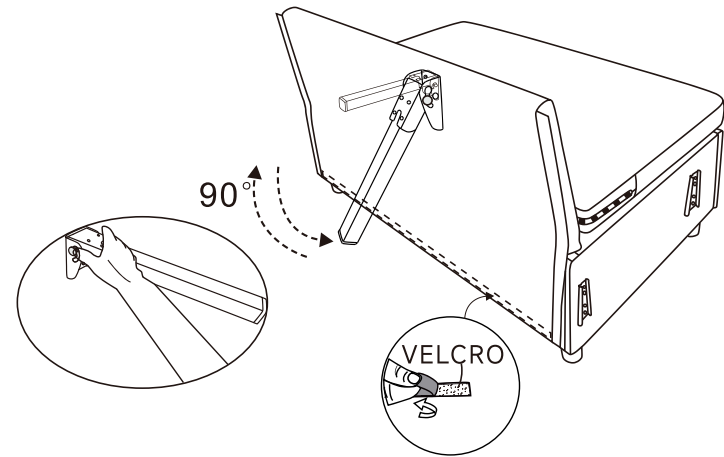
Attach Cushion (L) to the Pull-Out Bed (N) as shown, then slide it under the Loveseat Frame (I).

STEP 9

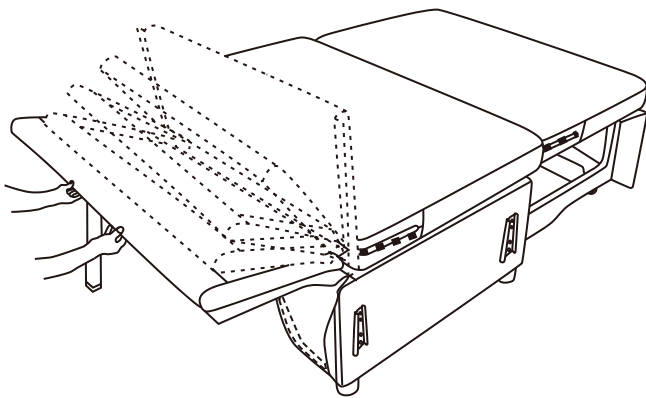


STEP 10

Press the silver button to open and retract

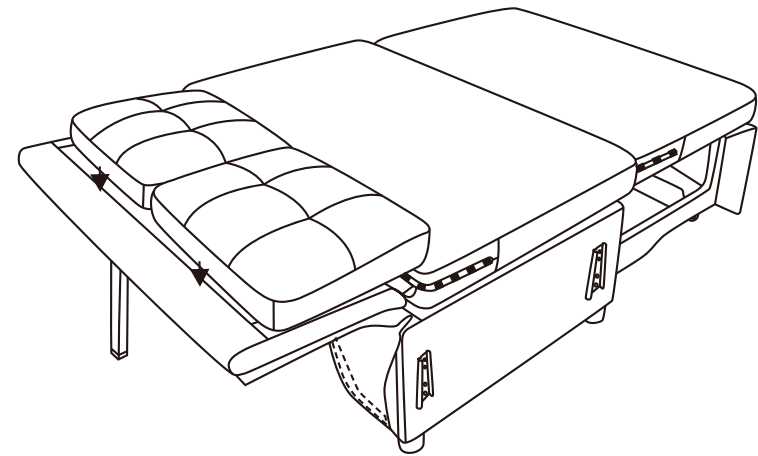


STEP 11



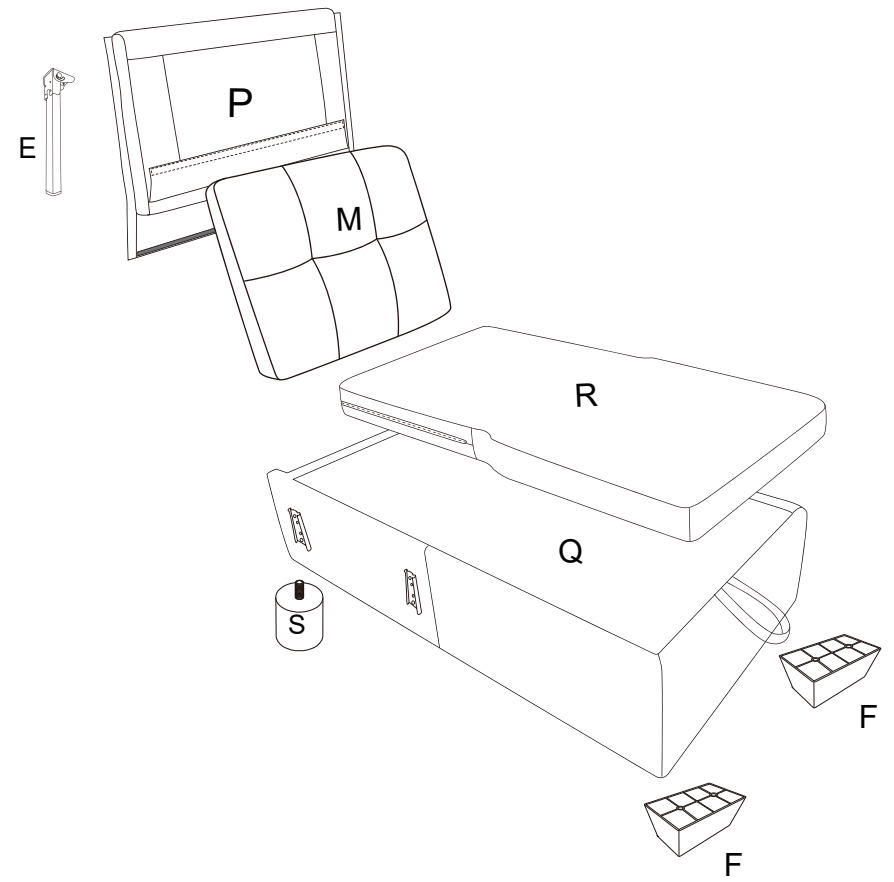
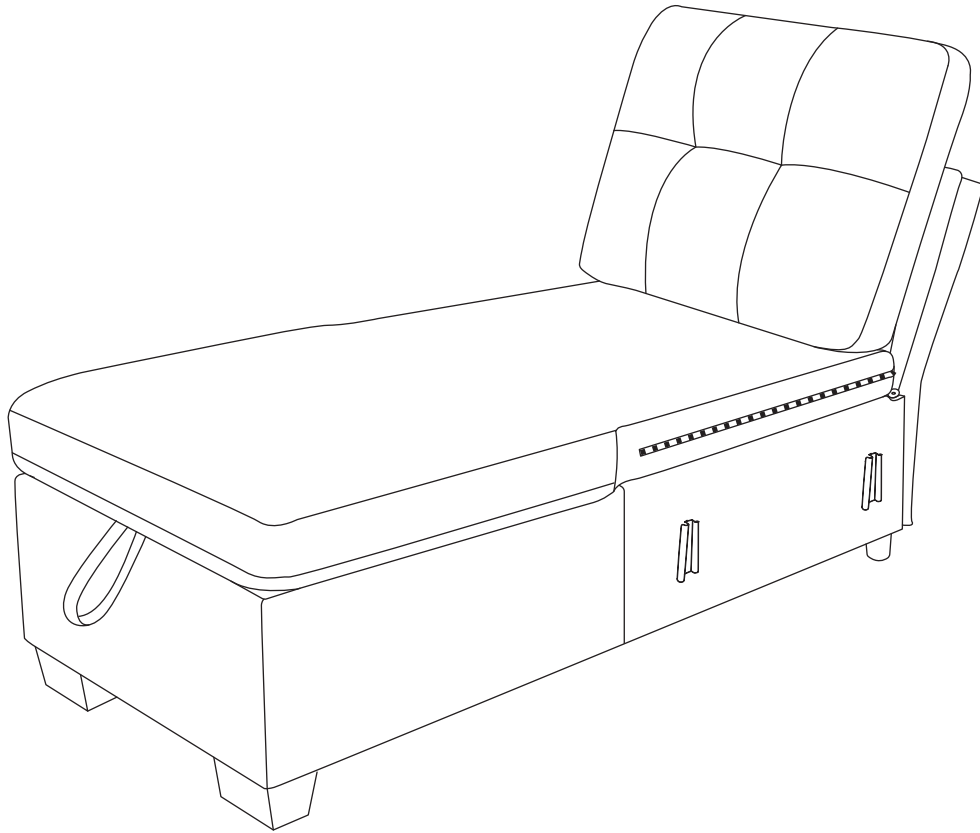
Gently push the backrest forward with both hands to adjust the recline position (5 positions).

STEP 12

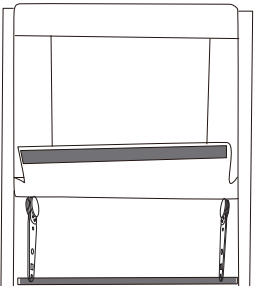
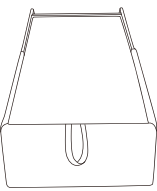
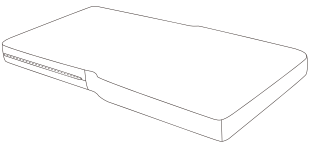
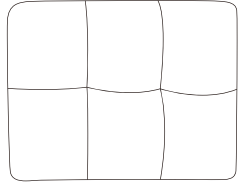
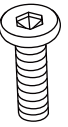
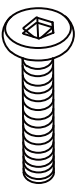


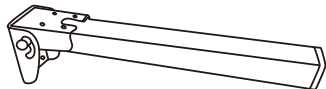
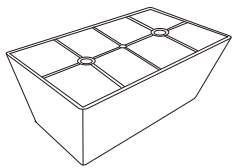
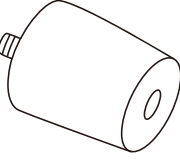


Installation Complete

How to Install Chaise Section



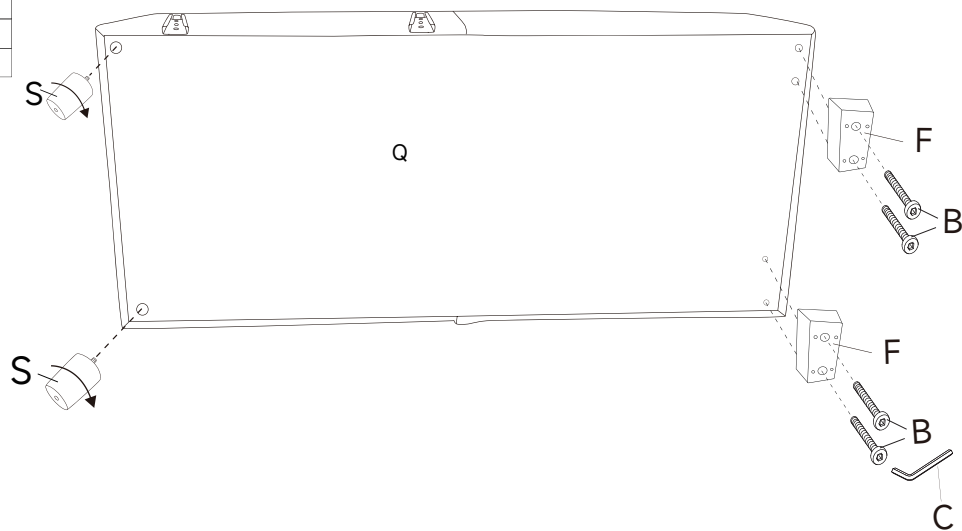
Main Structure Accessories

<p>P</p>  <p>1pc</p>	<p>Q</p>  <p>1pc</p>	<p>R</p>  <p>1pc</p>	<p>M</p>  <p>1pcs</p>	<p>A M6X20mm</p>  <p>2pcs</p>
<p>B M8X60mm</p>  <p>4pcs</p>	<p>C M5</p>  <p>1pcs</p>	<p>D M4</p>  <p>1pcs</p>	<p>E</p>  <p>1pcs</p>	<p>F</p>  <p>2pcs</p>
<p>S</p>  <p>2pcs</p>				




For the U-Shaped (Double Chaise) Sofa Configuration, Install the Chaise Section Twice!

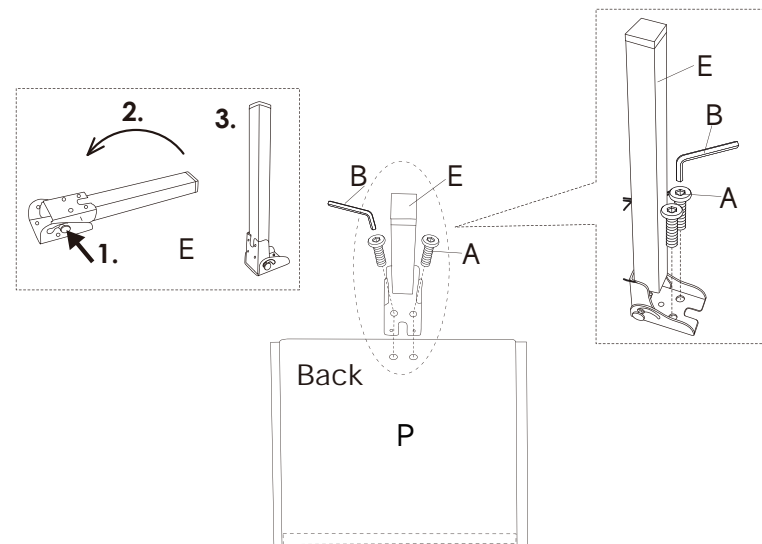
STEP 1

	Bx4
	Cx1
	Fx2
	Sx2



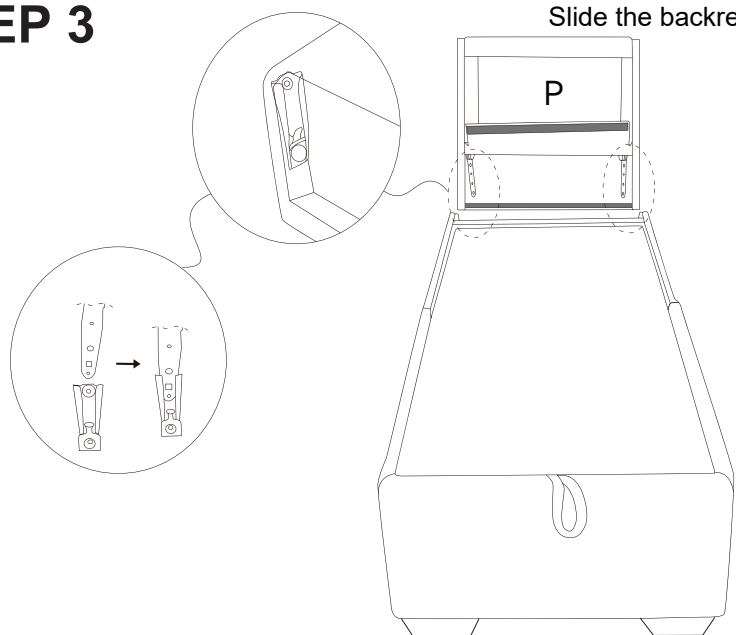
STEP 2

	Ax2
	Dx1
	Ex1

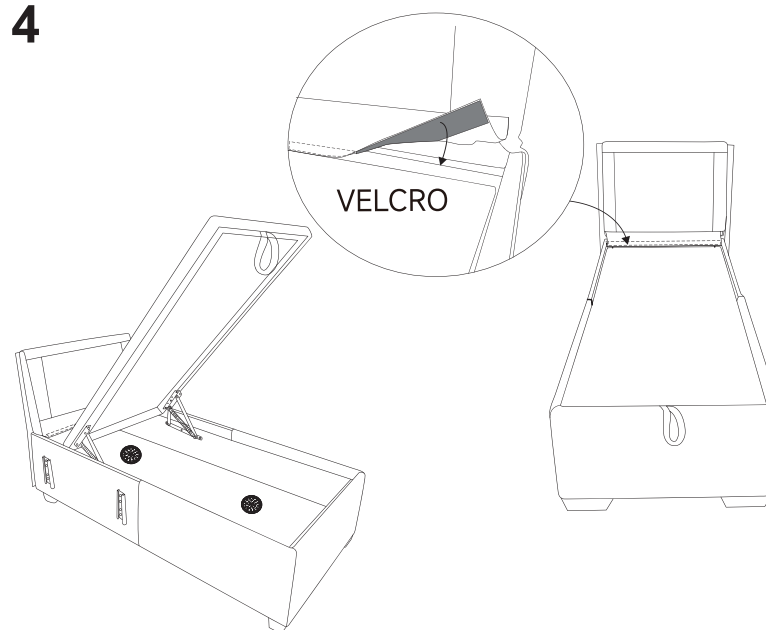


STEP 3

Slide the backrest (P) into the chaise.

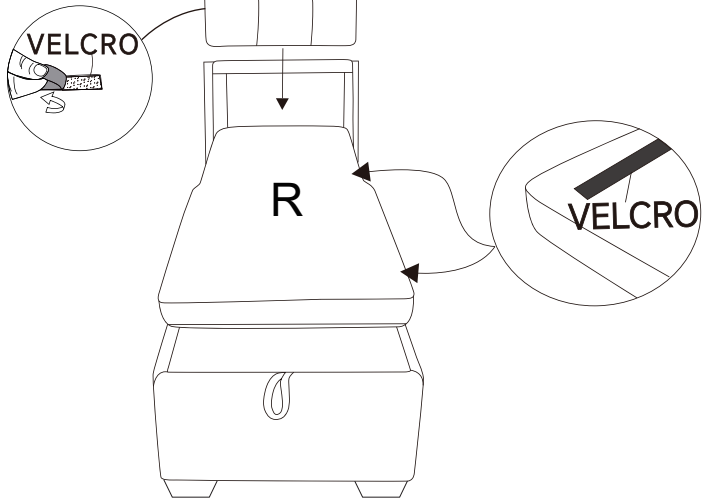


STEP 4

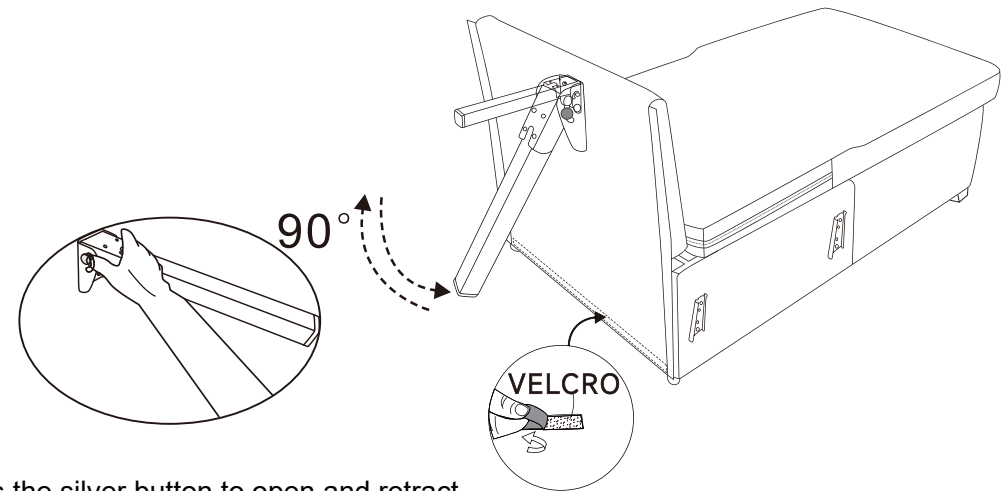


STEP 5

Peel velcro on backrest & seat base, and then put back pillow (M) & seat cushion (R) in place.

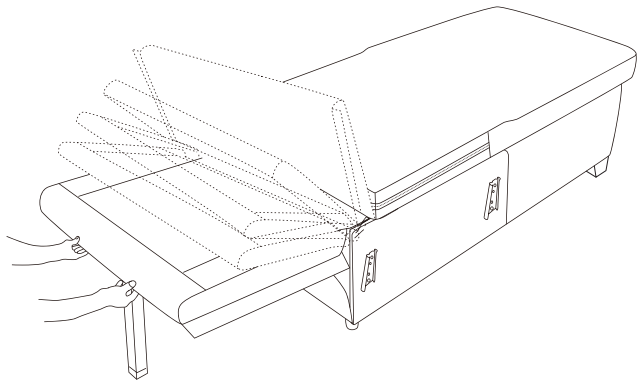


STEP 6



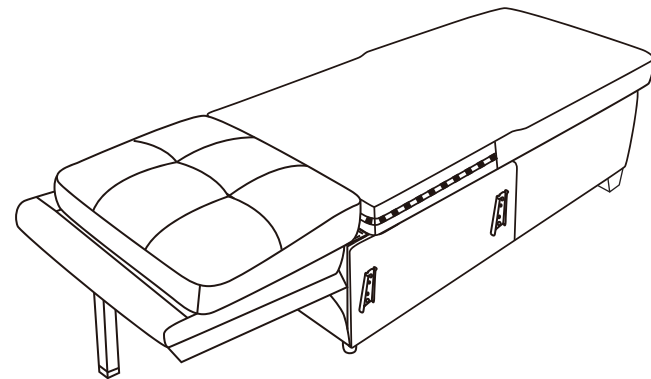
Press the silver button to open and retract

STEP 7



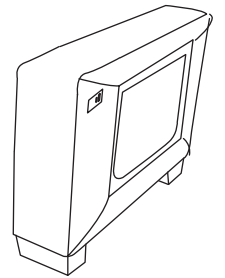
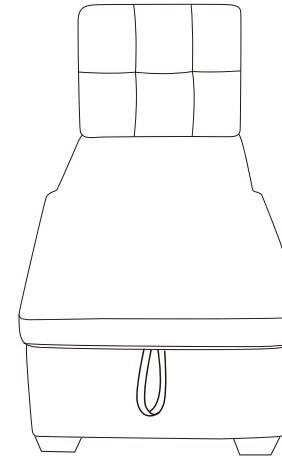
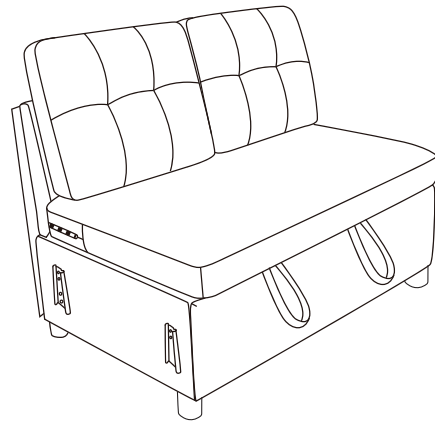
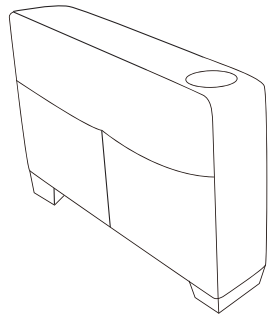
Gently push the backrest forward with both hands to adjust the recline position (5 positions).

STEP 8



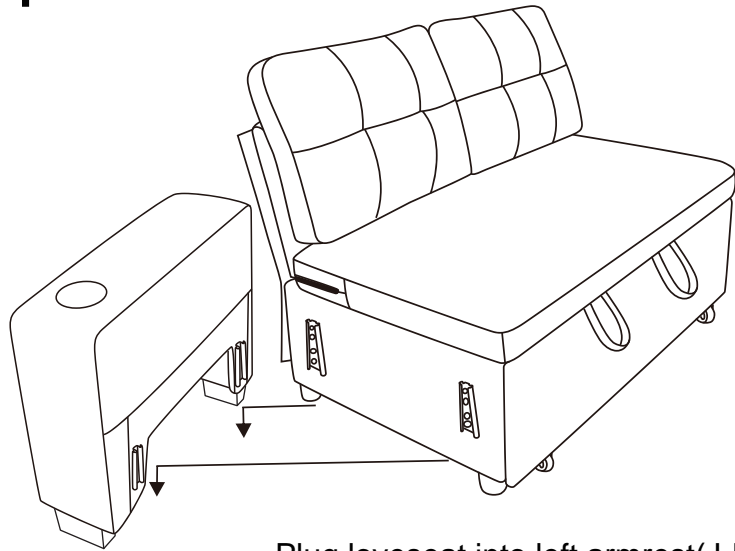
For the U-Shaped (Double Chaise) sofa Configuration, Install the Chaise Section Twice!

How to Connect Armrest, Chaise&Loveseat for L-Shaped Sofa



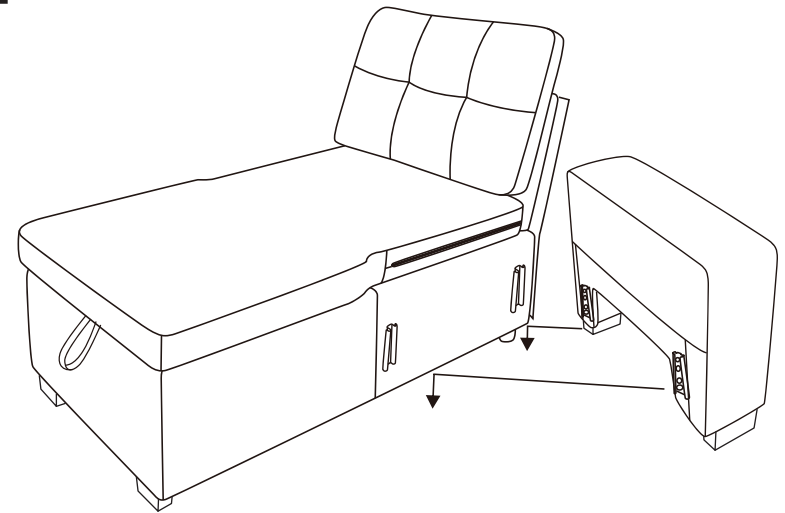
Configuration-1: When the Chaise is on the Right Side

STEP 1



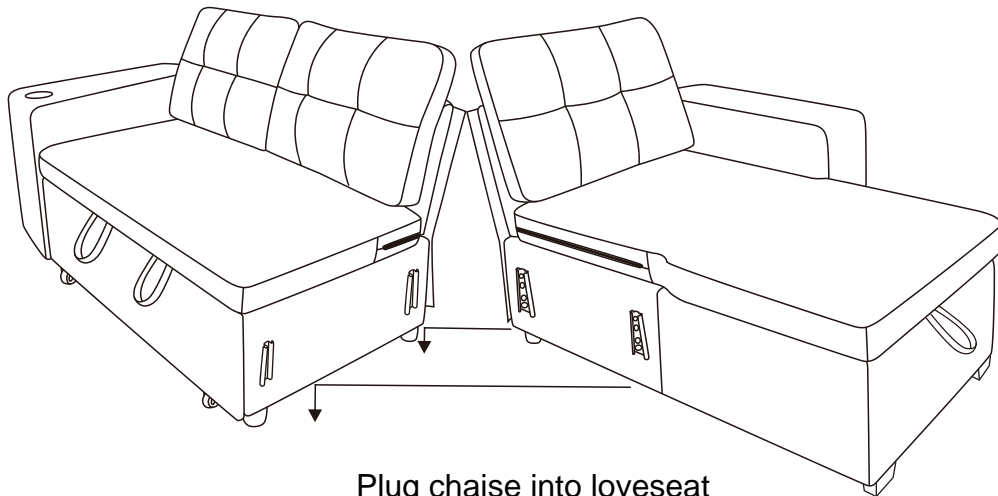
Plug loveseat into left armrest(J-L)

STEP 2



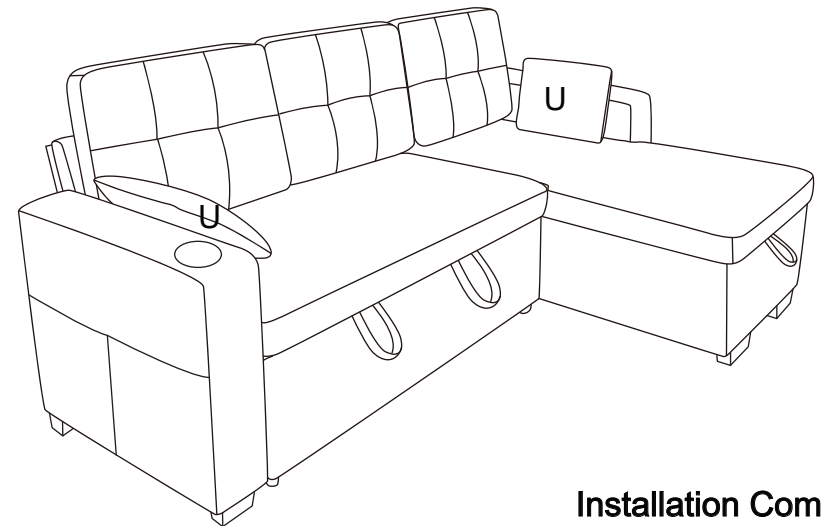
Plug right armrest(J-R) into chaise

STEP 3



Plug chaise into loveseat

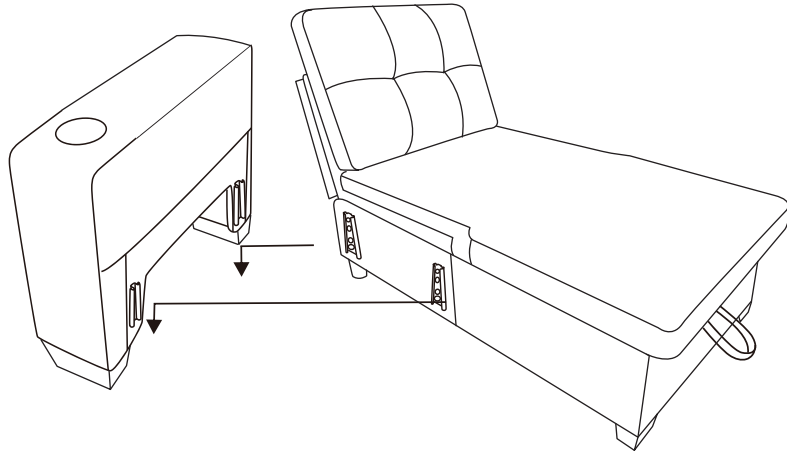
STEP 4



Installation Complete

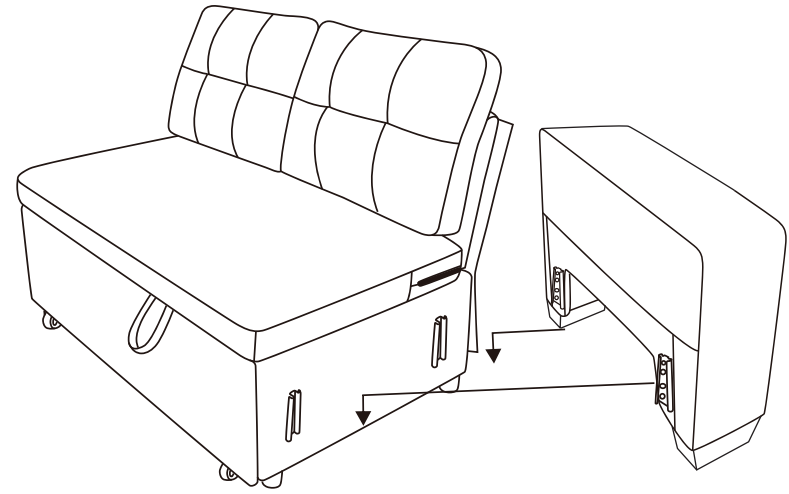
Configuration-2: When the Chaise is on the Left Side

STEP 1



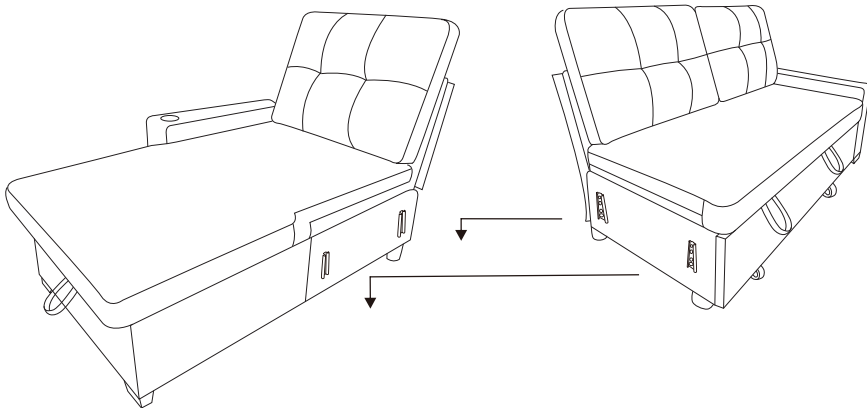
Plug chaise into left armrest(J-L)

STEP 2



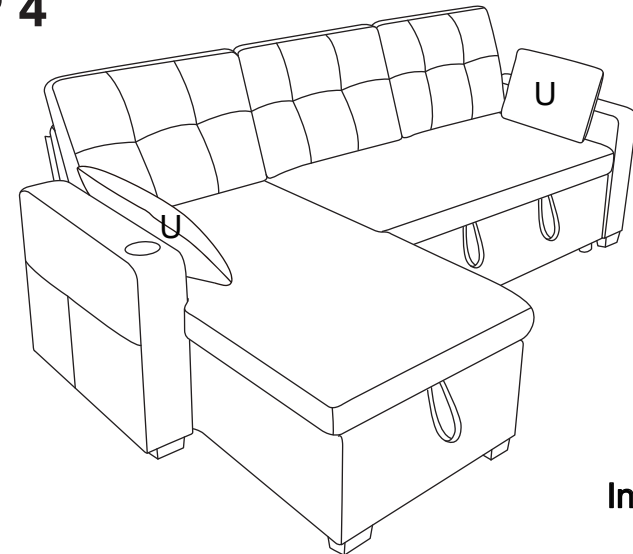
Plug right armrest(J-R) into loveseat

STEP 3



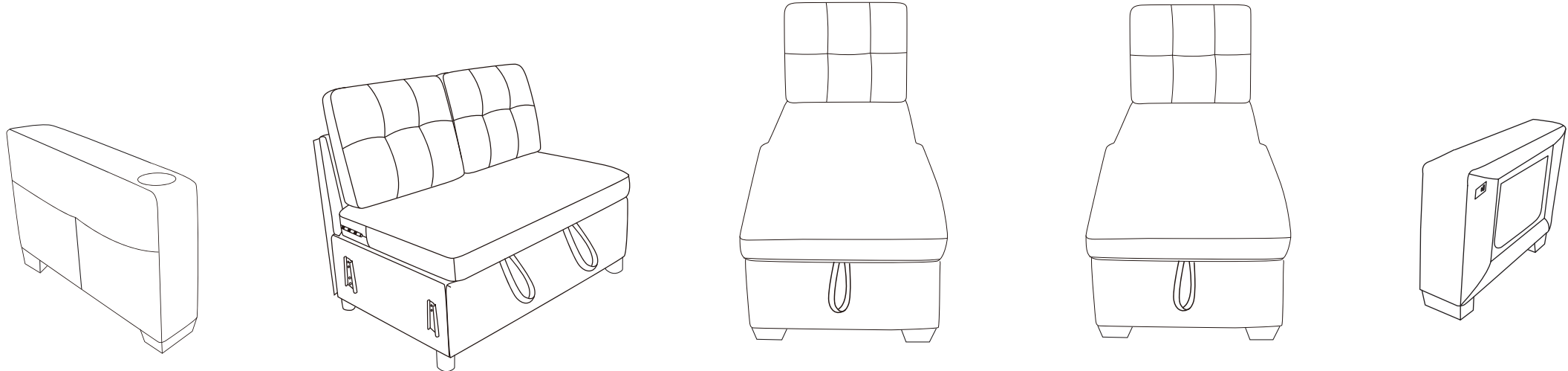
Plug loveseat into chaise

STEP 4

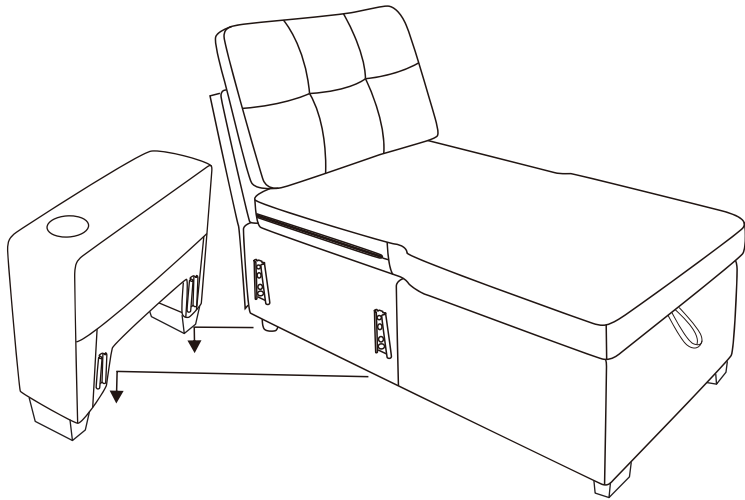


Installation Complete

How to Connect Armrest, Chaise&Loveseat for U-Shaped Sofa

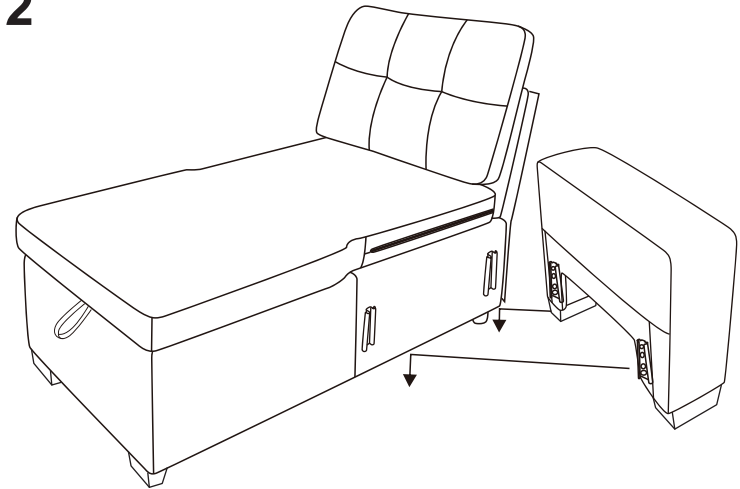


STEP 1



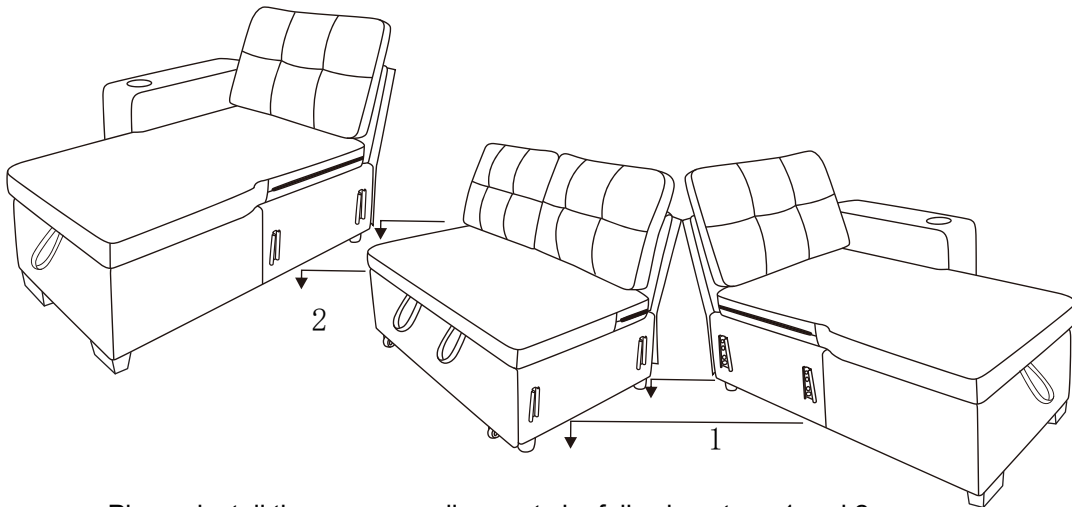
Plug chaise into left armrest(J-L)

STEP 2



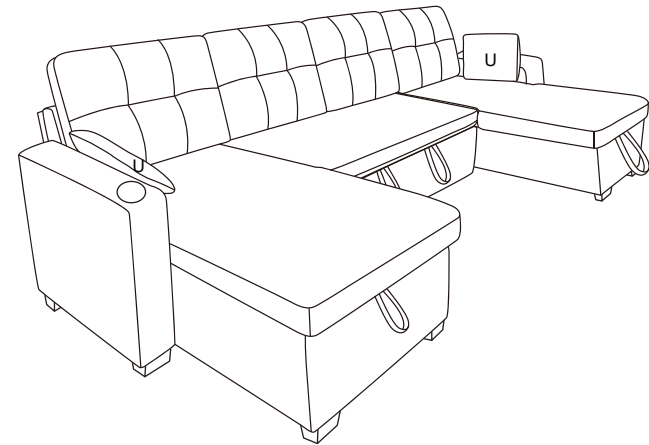
Plug right armrest(J-R) into chaise

STEP 3

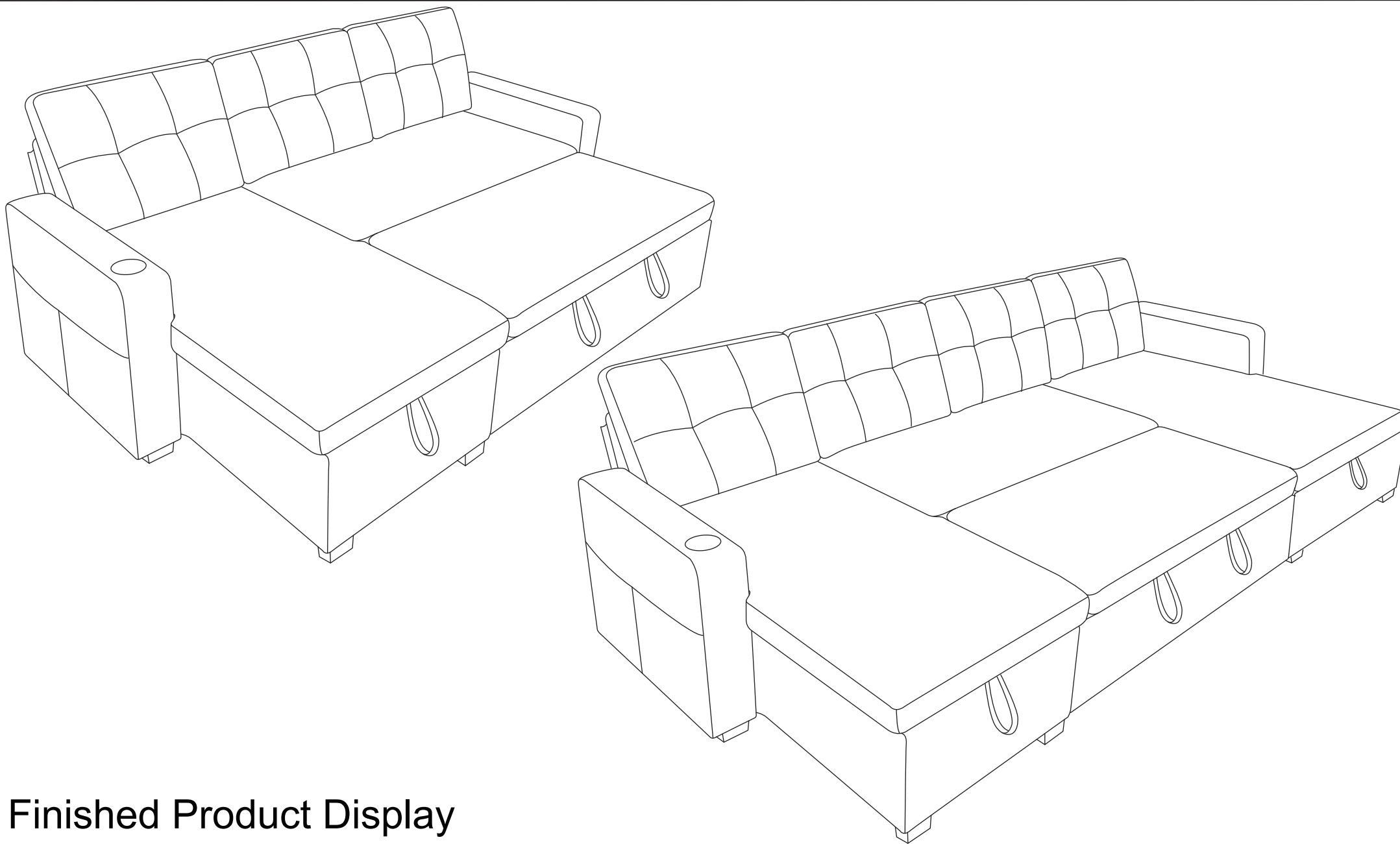


Please install the corresponding parts by following steps 1 and 2

STEP 4



Installation Complete



Finished Product Display