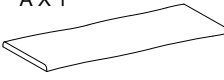

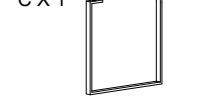
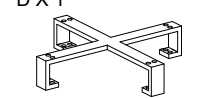
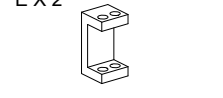

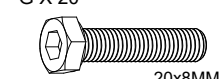

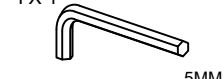
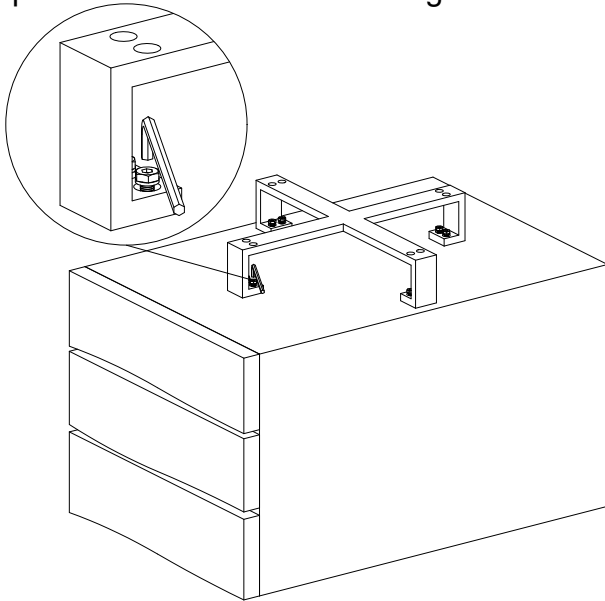


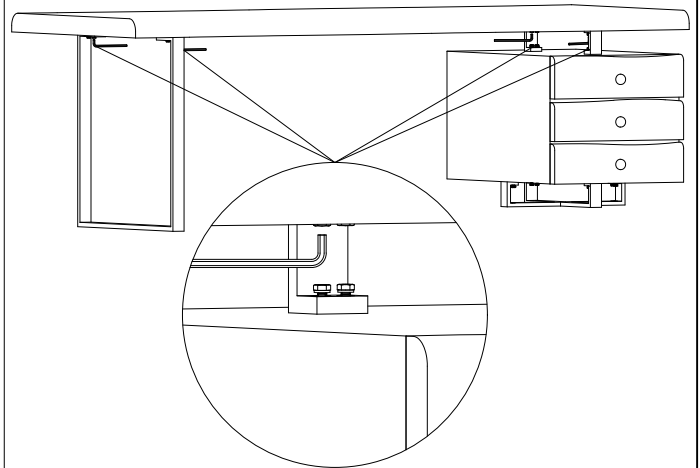
ASSEMBLY INSTRUCTIONS FOR LIVE EDGE STUDY TABLE

| | | | | | |
|---|---|---|---|--|--|
| <p>A X 1</p>  | <p>B X 1</p>  | <p>C X 1</p>  | <p>D X 1</p>  | <p>E X 2</p>  | <p>F X 3</p>  |
| <p>G X 20</p>  <p>20x8MM</p> | <p>H X 20</p>  <p>25x8MM</p> | <p>I X 1</p>  <p>5MM</p> | | | |

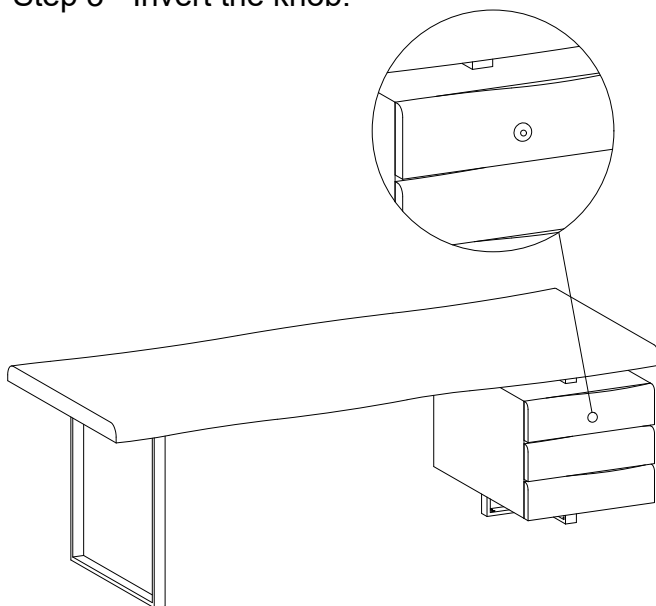
Step 1 - Place the side cabinet in inverted position and fasten the iron legs.



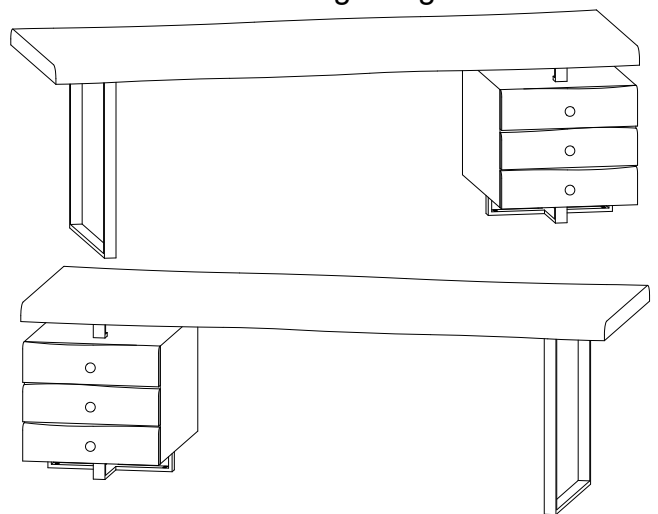
Step 2 - Assemble the side cabinet and U Iron leg with the top.



Step 3 - Invert the knob.



Step 4 - Your product is now ready for use. If it is shaking please tighten the bolts. By placing the top in either direction the drawers can be left or right aligned.



Care Instructions

Wipe with a soft, dry cloth. To protect finish, avoid the use of chemicals and household cleaners. Any liquid spilled onto the table should be cleaned up immediately with a damp cloth. Avoid keeping the product in direct sunlight.