



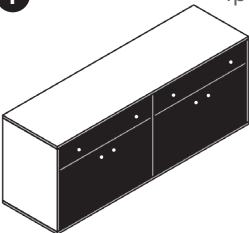
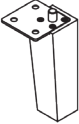
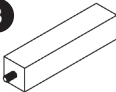
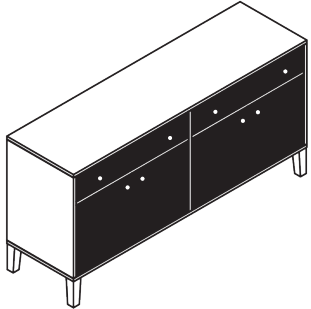


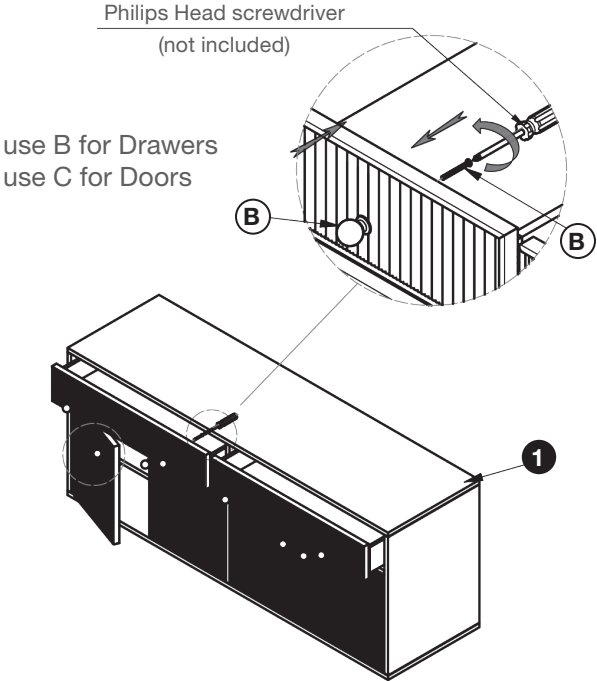
# ASSEMBLY INSTRUCTIONS | HIGHLAND MEDIA SIDEBORD

HARDWARE CHECKLIST		
A		Bolts M6x15 (12pcs)
B		Handle with screws M4x35 (4pcs)
C		Handle with screws M4x25 (4pcs)
D		Allen Key (1pc)

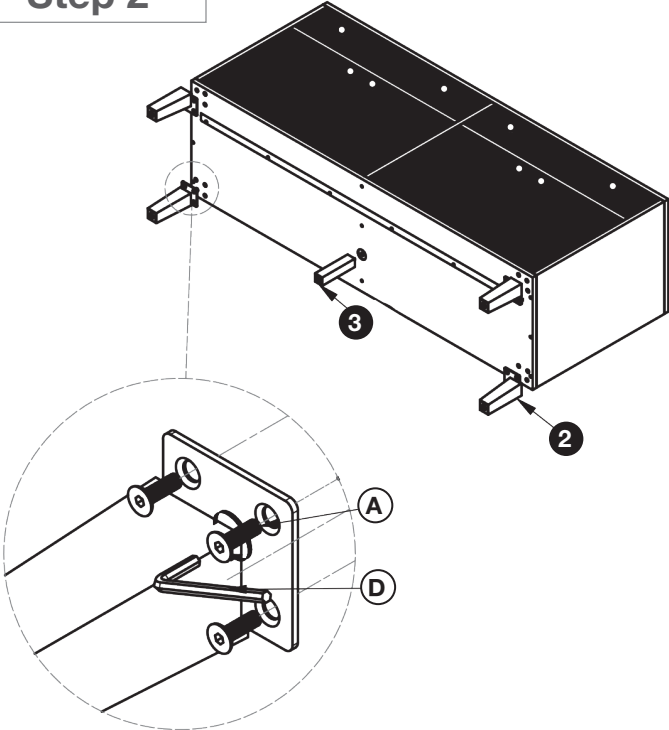
PARTS CHECKLIST		
<b>1</b>		1pc
<b>2</b>		4pcs
<b>3</b>		1pc



## Step 1



## Step 2



## Finish

Adjust feet levelers as needed

