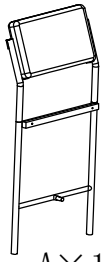
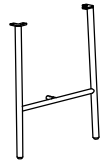


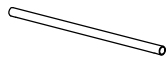
# BS-0511 ASSEMBLY INSTRUCTION



A×1



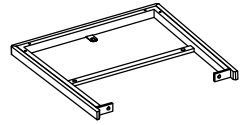
B×1



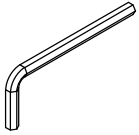
C×1



D×1



E×1



①×1  
4#



②×3  
Φ19×Φ6mm



③×3  
M6×20mm



④×4  
M6×Φ11×16mm

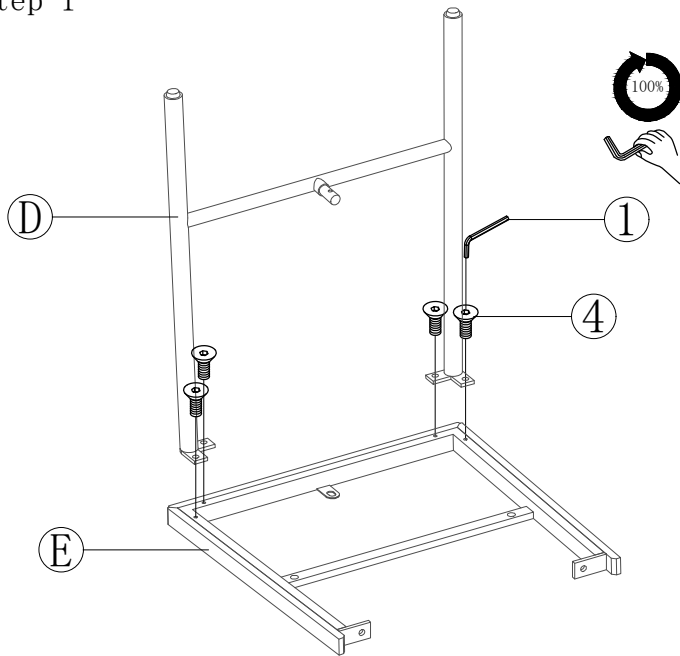


⑤×2  
M6×Φ9×12mm

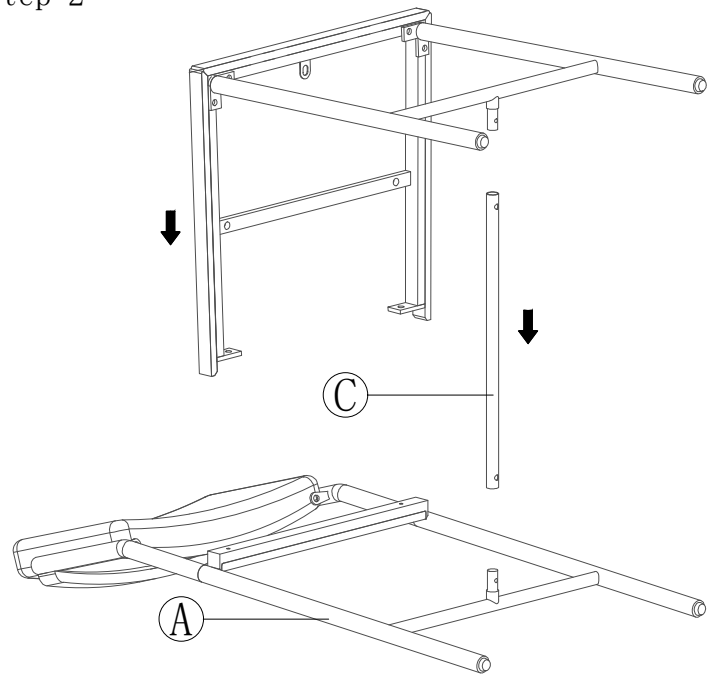


⑥×2  
M6×30mm

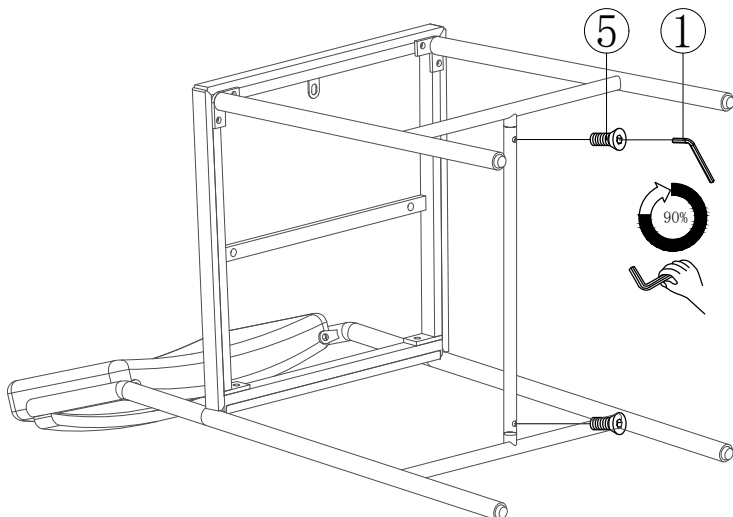
## Step 1



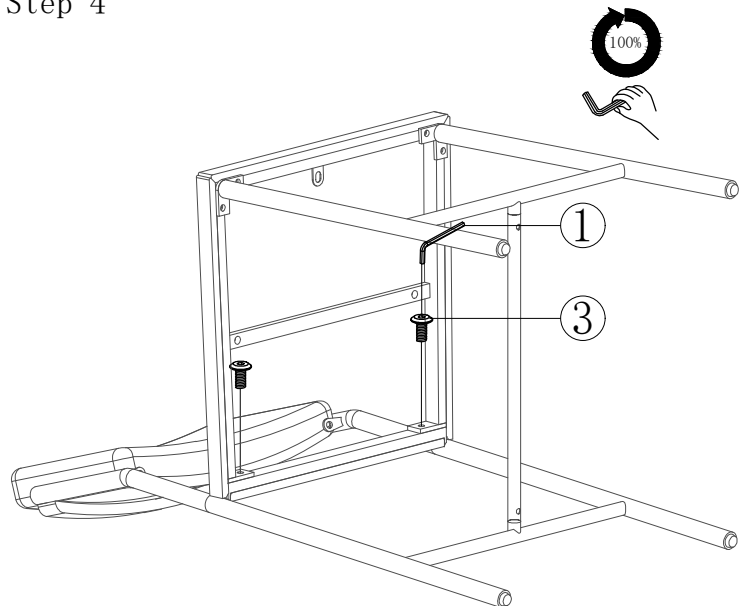
## Step 2



## Step 3

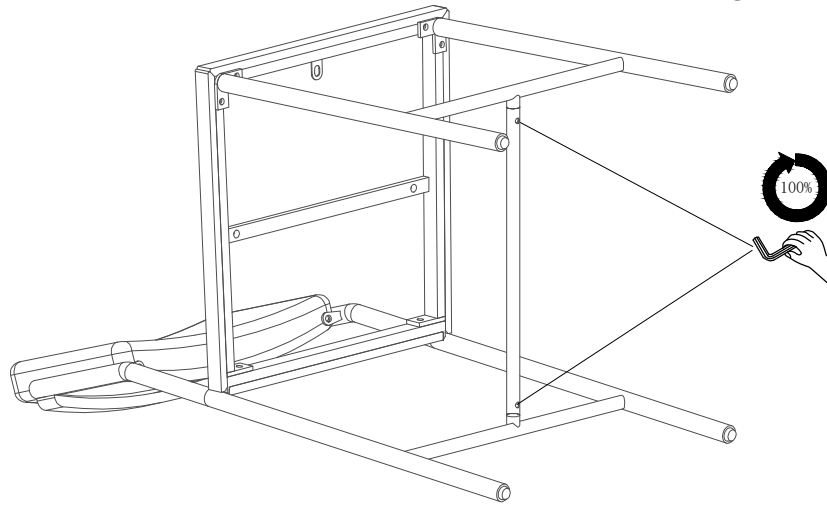


## Step 4

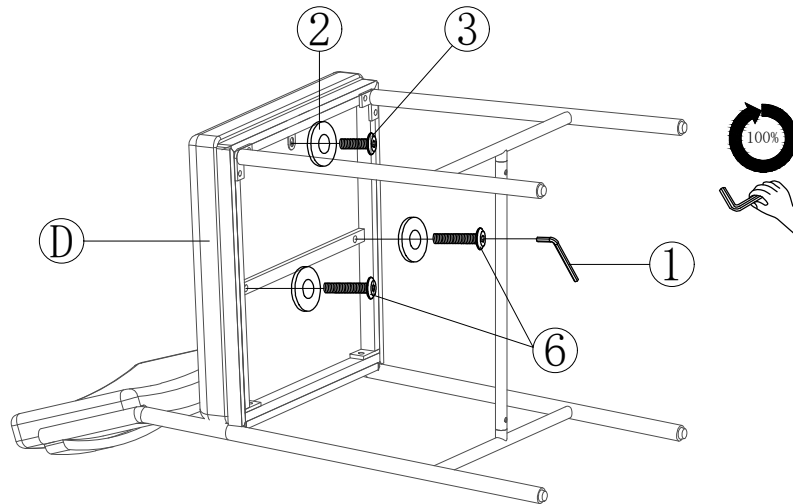


Step 5

Tighten the previously locked screws again to 100% tightness.



Step 6



Step 7

