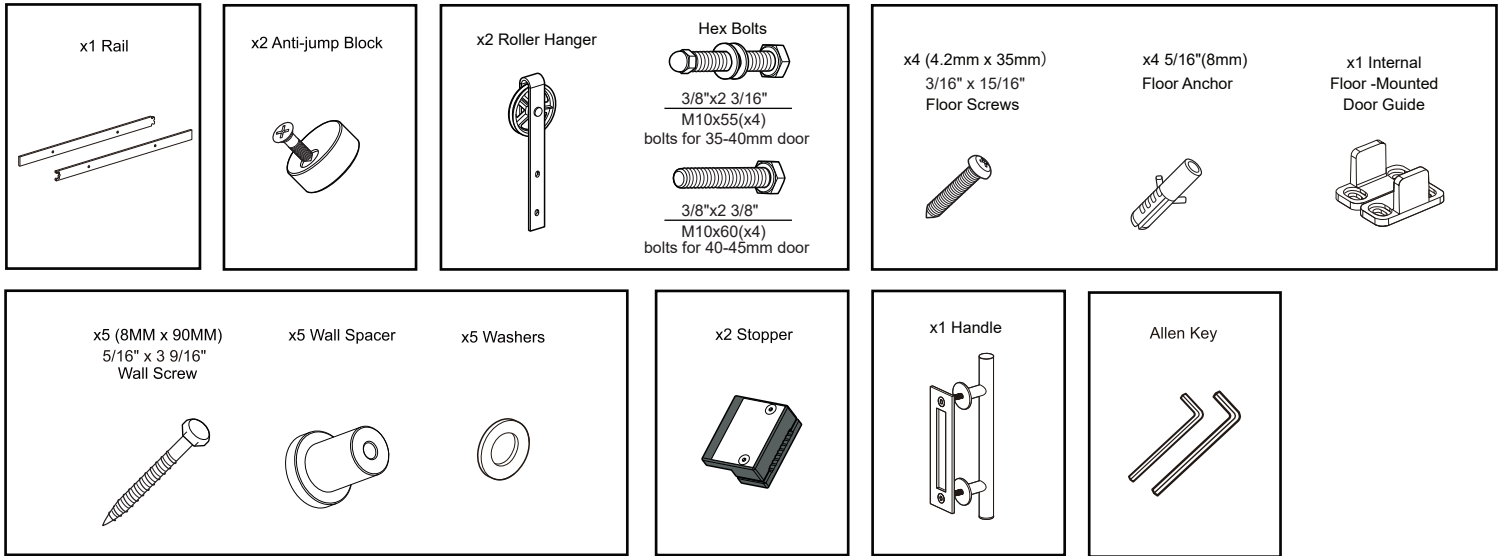


BARN DOOR HARDWARE KIT

TSQ26BK-6FT-HD

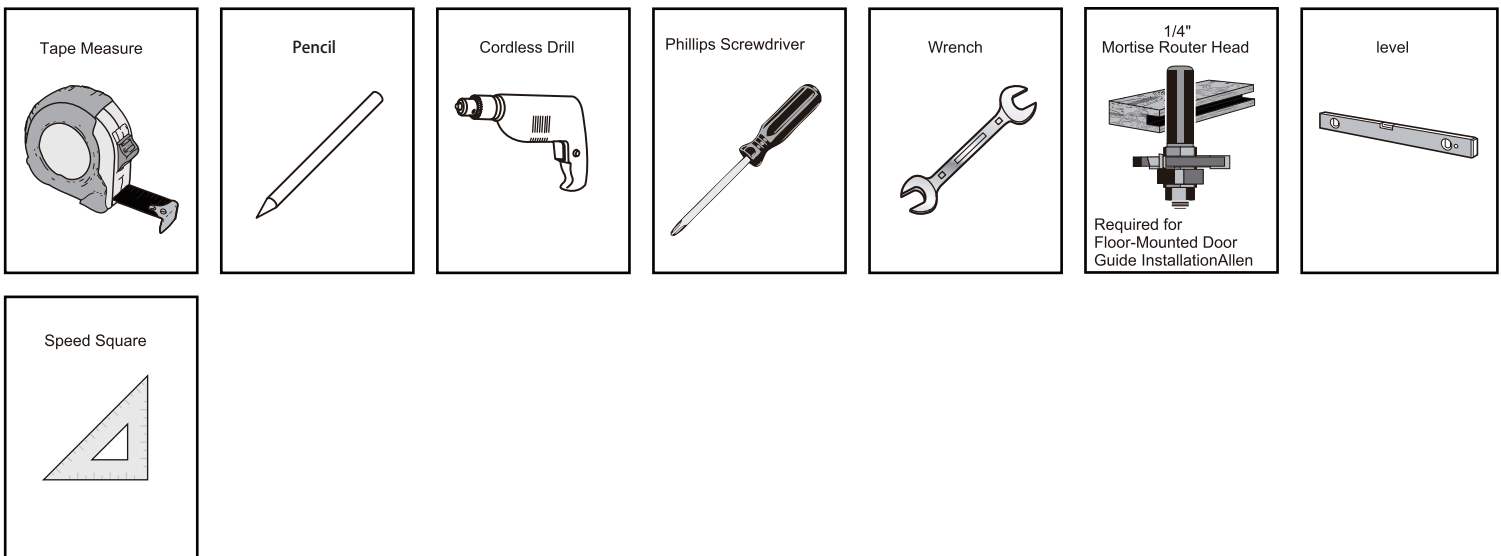
INSTALLATION GUIDE

Main Components



To provide feedback on a particular part, please mark it by circling in the instruction manual and kindly send us a photo.

Tools Required

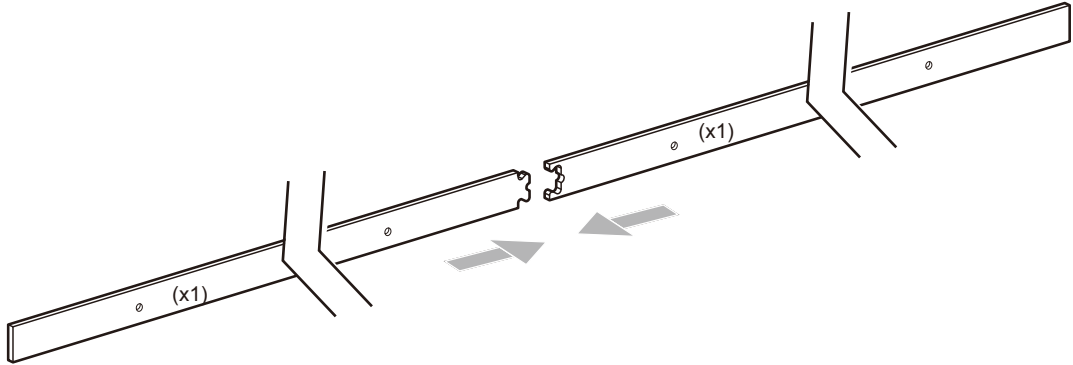


IMPORTANT: BEFORE YOU BEGIN

IF INSTALLING DIRECTLY INTO A NON-CONCRETE WALL, DO NOT ATTEMPT TO INSTALL THE RAIL SOLELY TO THE DRYWALL OR ANY WALL SURFACE AS THIS MAY NOT SUPPORT THE WEIGHT OF THE RAIL AND MOUNTED DOOR. THE RAIL MUST BE INSTALLED ONTO A PIECE OF SOLID WOOD BLOCKING (SOLD SEPARATELY) USING MOUNTING SCREWS (ALSO SOLD SEPARATELY). ENSURE THE SOLID WOOD BLOCKING IS SECURED INTO THE STRUCTURAL SURFACE. USE A STUD FINDER WHERE NECESSARY TO LOCATE STUDS AND SECURE SAFELY. TYPICAL SOLID WOOD BLOCKING SHOULD BE 81" x 5 1/2" x 7/8".

BARN DOOR HARDWARE KIT
TSQ26BK-6FT-HD
INSTALLATION GUIDE

Kindly reminder: Connect the two pieces of the rail before installing



Step 1. Door Preparation- Roller Installation

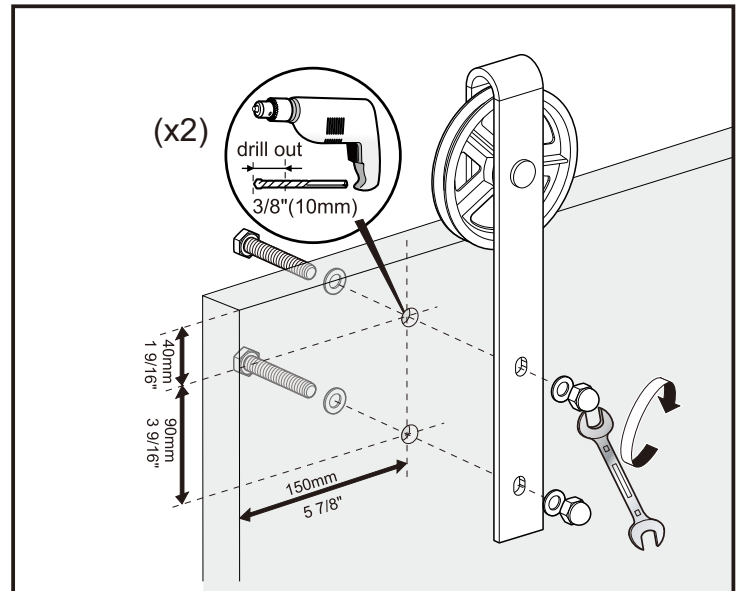
Position each roller to the front of the door at horizontal 5 7/8" from the edge of the door to the roller center.

Please refer to the hole center at vertical

Mark the holes with a pencil, pre-drill 3/8" holes, insert the bolts and washers, secure the roller in place with a wrench. Repeat for second roller.

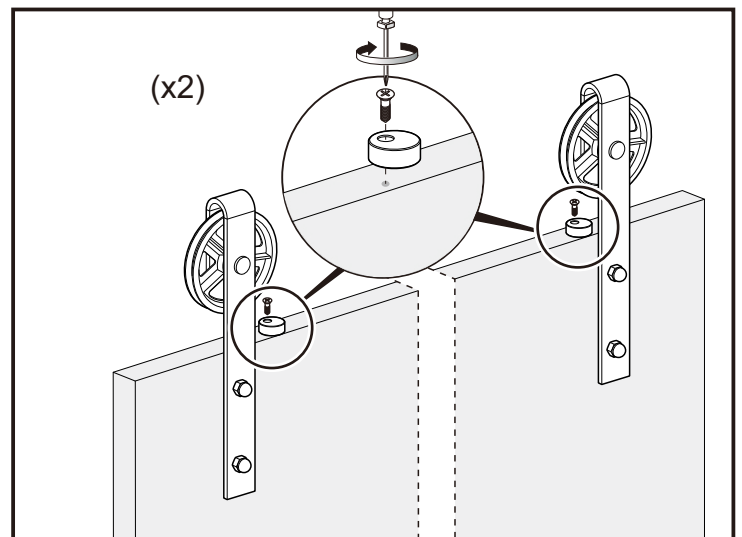
IMPORTANT: For 1 3/8" Doors, please use the shorter standard bolts provided.

For 1 3/4" Doors, please use the longer additional bolts provided.



Step 2. Door Preparation - Anti-jump block Installation

Position each anti-jump block at least 1" from the edge of the rollers. Tighten slightly to secure in place.

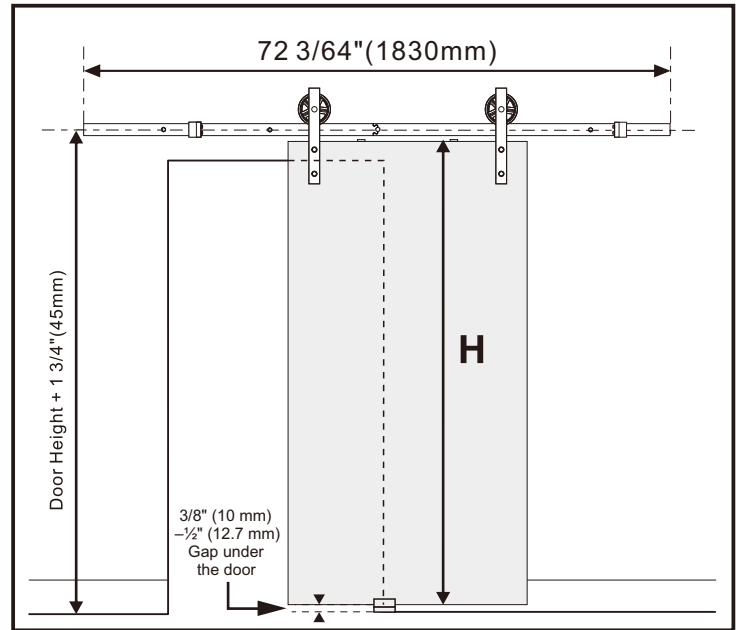


BARN DOOR HARDWARE KIT TSQ26BK-6FT-HD INSTALLATION GUIDE

Step 3. CONCRETE Wall Preparation1

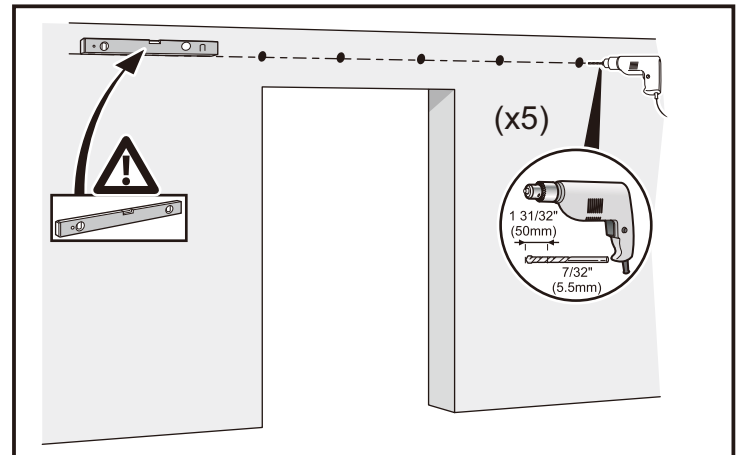
Position the rail by measuring up from the door height (H) + 1 3/4" to the centre of the track. Also ensure a gap of 3/8" - 1/2" at the bottom. Ensure the rail is level and leave a minimum of 2" from the end of the rail to the side of the opening.

If installing with an opening for 80" standard door size, remove the top trim and cut the side trim horizontally along the height of the opening.



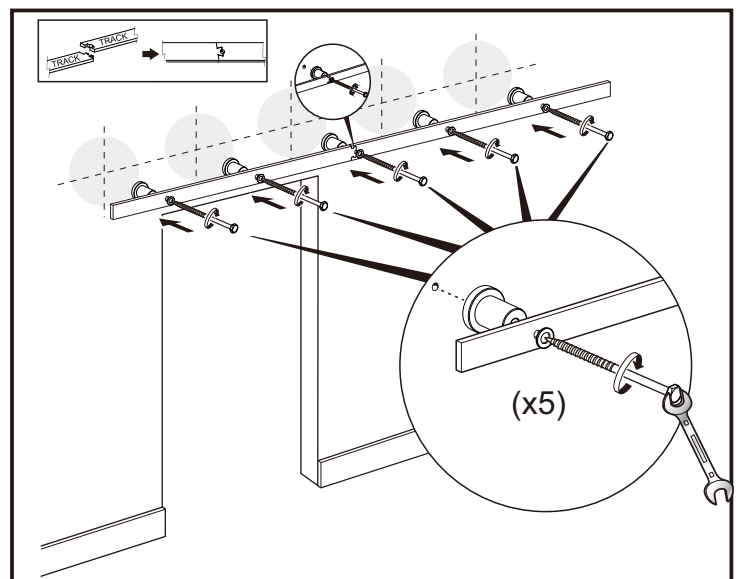
Step 4. CONCRETE Wall Preparation2

Position the rail in place ensuring that it is level, mark the holes on the rail using a pencil and pre-drill 3/8" holes into the concrete.



Step 5. CONCRETE Rail Installation

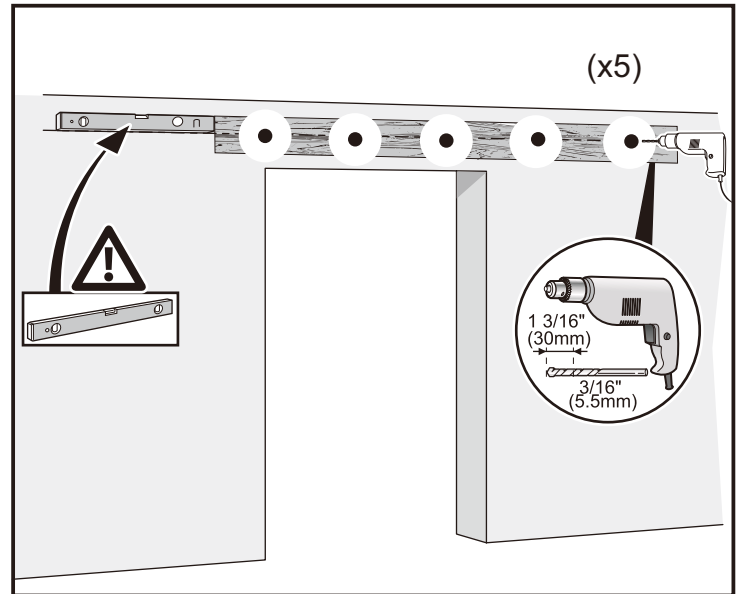
When installing directly into concrete, align the spacers to holes, insert using the provided anchors and hex bolts (with washers). Ensure to un-screw to separate the hex bolt and anchor to install correctly, securing with a wrench.



BARN DOOR HARDWARE KIT TSQ26BK-6FT-HD INSTALLATION GUIDE

Step 6 . DRYWALL Wall Preparation

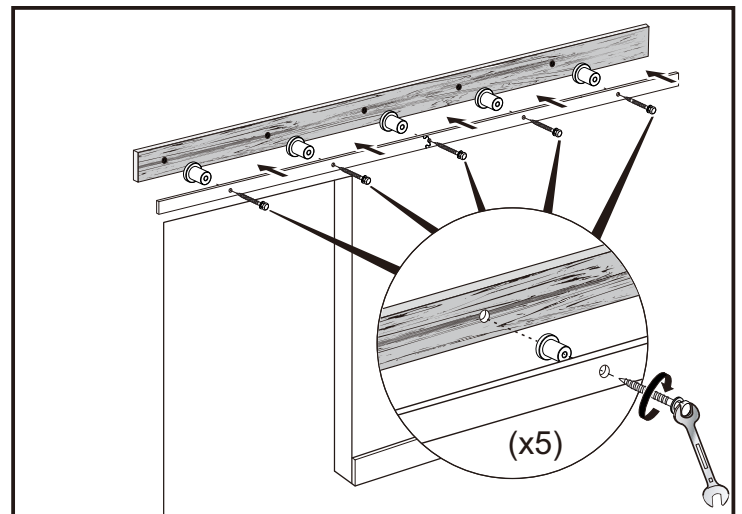
Position the rail on top of the wood blocking ensuring levelness, mark the holes using a pencil and pre-drill 3/16" holes into the wood blocking.



Step 7. DRYWALL Rail Installation

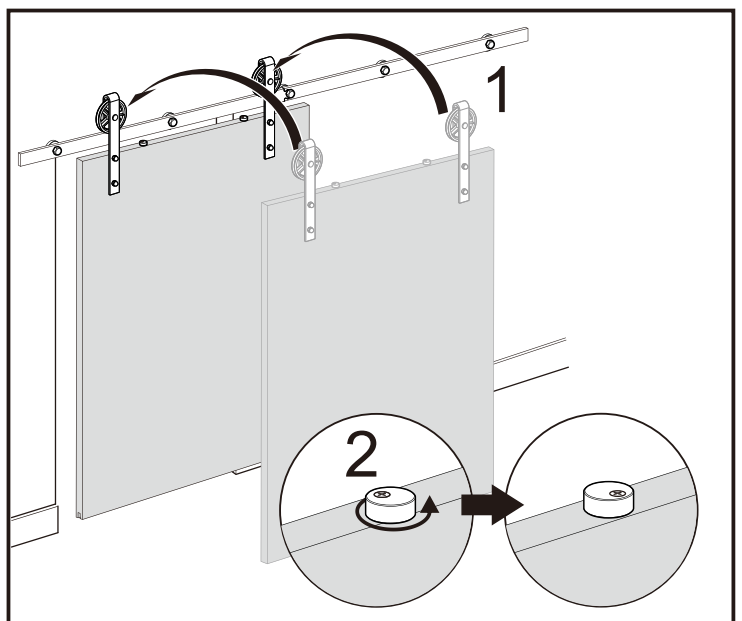
When installing into the solid wood block and wall, insert using the provided wall screws. Align each spacer to the rail holes, inserting screws (with washers), securing with a wrench.

*NOTE - The stops are usually placed on each end of the track. However, they can be placed anywhere along the track if you are trying to stop the door at a different location than the tracks end.



Step 8. Hanging the Door

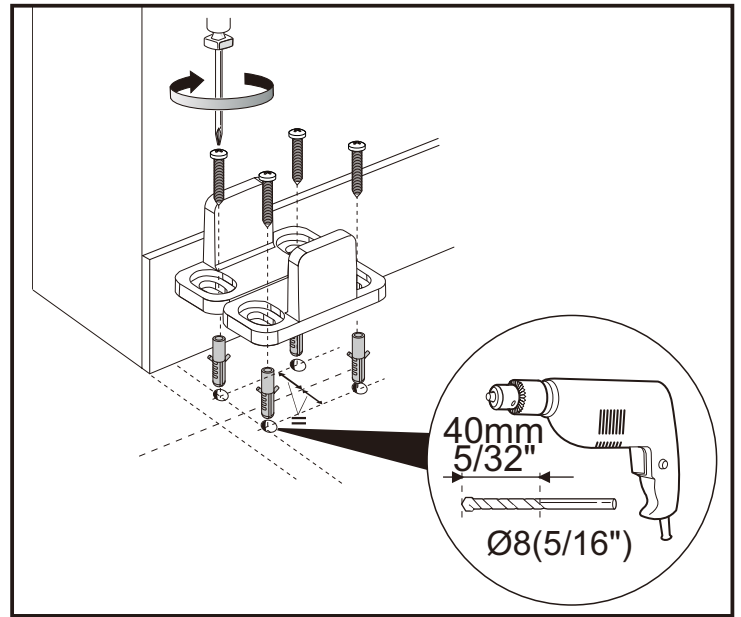
Place the assembled door onto the secured rail and tighten each anti-jump block. Ensure all parts are operating correctly by sliding the door side-to-side.



BARN DOOR HARDWARE KIT TSQ26BK-6FT-HD INSTALLATION GUIDE

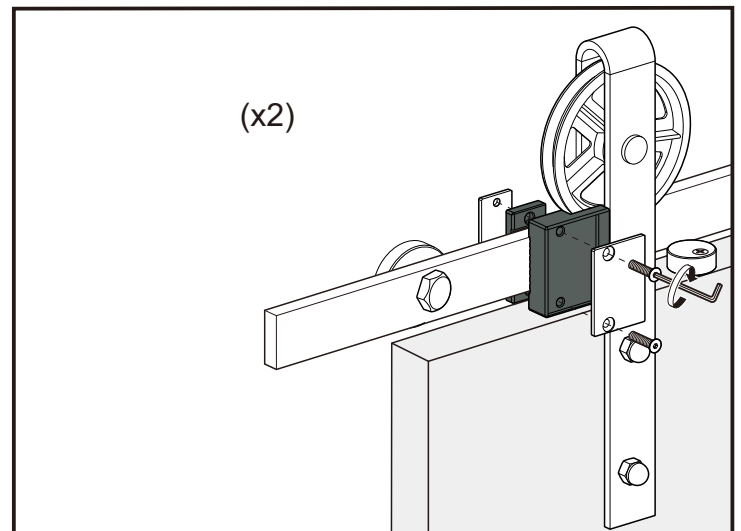
Step 9. Floor-Mounted Door Guide Installation

Once the door is plumb, position the floor-mounted door guide inside the mortised door, line up close to the opening. Slide the door side-to-side to ensure functionality for final placement then mark holes with a pencil and pre-drill 1/4" holes. If drilling directly into a concrete floor, use the provided anchors.



Step 10. Stopper Installation

Slide the door closed and to correct position of both stoppers. Using the provided Allen key, tighten into position to complete the installation of the Barn Door Kit.



Step 11. Handle Installation

Fix the handle to the door with screws

