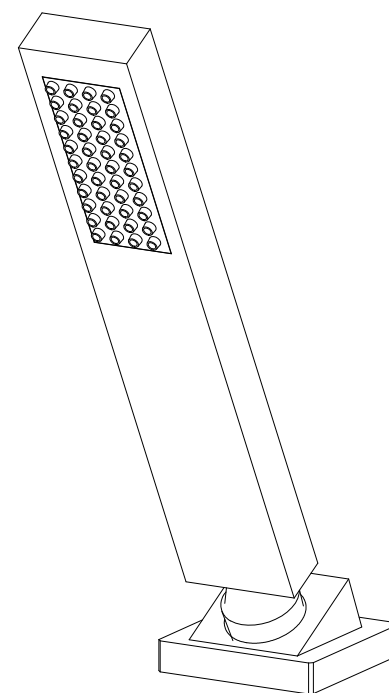
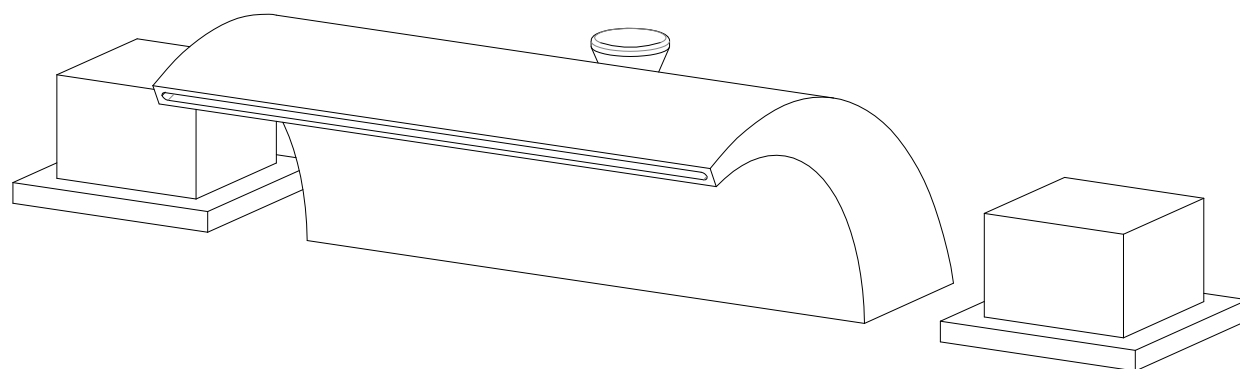


INSTALLATION GUIDE



ROMAN WATERFALL BATHTUB FAUCET

MODEL	FINISH
S2141CW	CHROME
S2141NW	BRUSHED NICEKL
S2141DW	MATTE BLACK
S2141BGW	BRUSHED GOLD

HOT LINE: +1-866-203-0866

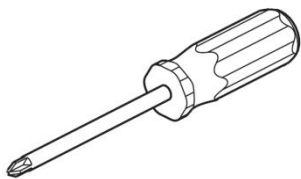
THANK YOU

Dear Valued Customer,
SUMERAIN would like to take this opportunity to thank you for purchasing SUMERAIN products. It is our sincere hope that you are completely satisfied with your new purchase. All SUMERAIN products are carefully engineered, and factory tested to provide long trouble-free use under normal conditions. This product is easy to install using basic tools and our easy to follow illustrated instructions. We welcome any questions or comments you may have and look forward to assisting you in the future. If you have any questions regarding this product, call +1-866-203-0866 or email to supports@sumerain.com .
Sincerely,
SUMERAIN customer service department

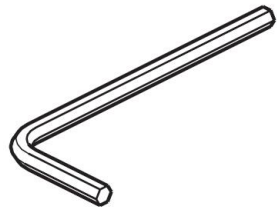
BEFORE PROCEEDING

1. Unpack your new product and ensure that all the parts are contained in the packaging. Keep the product in its original box until you ready to install it.
2. Locate water supply inlets and shut off the water supply valves. These are usually found near the water meter.
if you are replacing an existing unit, remove the old unit and clean the mounting surface thoroughly.
3. Observe all plumbing and building codes in your area.
4. It is recommends calling professional if you are uncertain about installing this product.

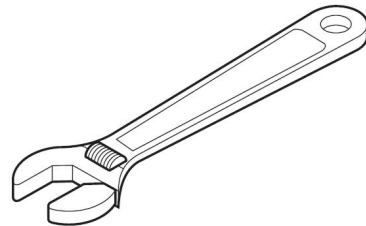
TOOLS RECOMMENDED



Philips screwdriver



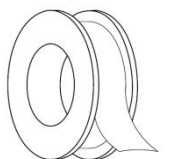
Allen wrench



Adjustable wrench



Channel locks



Thread Sealant

LIMITED LIFETIME CONSUMER WARRANTY

VERSION: 140320.15.5

This product has been manufactured and tested to the highest quality standards by SUMERAIN sanitary Inc("SUMERAIN").This warranty is limited to SUMERAIN products which are purchased by a consumer in the China after Jan 1,2010 and installed in China or the state which has SUMERAIN technical support department locally.(visit <http://www.sumerain.com/en/supportcenter.asp> for review the state list of SUMERAIN technical support department).If the faucet should leak or drip during normal use,SUMERAIN will, free of charge, mail to the purchaser the cartridge necessary to put the faucet in good working condition. If a defect is found in normal residential use, SUMERAIN will, at its election, repair, provide a replacement part or product, or make appropriate adjustment.

WHO IS COVERED BY THE WARRANTY

This warranty extends to the original consumer purchaser only (exclusive online retail original customer, online retail original customer cover by the "Online CONSUMER Limited Lifetime WARRANTY & Return policy"), This warranty is not-transferable.

WHAT IS COVERED BY THE WARRANTY

This warranty covers only your SUMERAIN manufactured product. SUMERAIN warrants this product against defects in material or workmanship as follows: SUMERAIN will repair at no charge for parts only or, at its option, replace any product or part of the product that proves defective because of improper workmanship and/or material, under normal installation, use, service and maintenance. If SUMERAIN unable to provide replacement, SUMERAIN may elect to provide similar model upon close value.

FINISH WARRANTY

It is the responsibility of the customer to check for any material finish defects before installation. SUMERAIN doesn't warranty these finishes after the fixture has been installed.

ELECTRONIC FAUCETS WARRANTY

SUMERAIN warrants that its electronic faucets, valves and controls to be free from manufacturing defects in material and workmanship under normal use for three(3) years from the date of purchase and waterflow impeller-dynamo (generate power for LED faucet) for six(6) months from the date of purchase.

LENGTH OF WARRANTY

Replacement or repaired parts of products will be covered for the term of this warranty as stated in the following two sentences, if you are a consumer who purchased the product for use primarily for personal,family,or household purposes, this warranty extends for 5 years since the product originally installed (Extend max 1 month From the date of purchase).if you purchased the product for use primarily for any other purpose,including,without limitation, a commercial purpose or is installed outside of China, or if the finish is gold, non-Vibrant or a painted or powder coated color finish this warranty extends only for one year, with respect to SUMERAIN and commercial products.

THIS WARRANTY DOES NOT COVER, AND SUMERAIN WILL NOT PAY FOR:

- A.** Conditions, malfunctions or damage not resulting from defects in material or workmanship.
- B.** Conditions, malfunctions or damage resulting from normal wear and tear, improper installation, improper maintenance, misuse,abuse,negligence,accident or alteration or the use of abrasive or caustic cleaning agents or "no-rinse" cleaning products, or the use of the product in any manner contrary to the product instructions. Conditions in the home such as excessive water pressure or corrosion.
- C.** Labor or other expenses for the disconnection, deinstallation, or return of the product for warranty service, or for installation or reinstallation of the product.
- D.** Accessories, connected materials and products (including but not limited in handshower flexible hose, spray flexible hose, handshower), or related products not manufactured by SUMERAIN

TO OBTAIN WARRANTY PARTS OR INFORMATION

Contact your SUMERAIN retailer or contact technical service at: supports@sumerain.com,In requesting warranty service, you will need to provide

1. The sales receipt or other evidence of the date and the place of purchase.
2. A description of the problem (Download URL: <http://www.sumerain.com/download/servicerequest/sheet.pdf> and fill out the Service Request Sheet).
3. Delivery of the product or the defective part, postage prepaid and carefully packed and insured to sumerain

When warranty service is completed, any repaired or replacement product or part will be returned to you postage prepaid.

EXCLUSIONS AND LIMITATIONS

Repair or replacement (or, in limited circumstances, refund of the purchase price) as provided under this warranty is the exclusive remedy of the purchaser. SUMERAIN neither assumes nor authorizes any person to create for it any obligation or liability in connection with this product.SUMERAIN shall not be liable to purchaser or any person for any incidental, special, or consequential damages, arising out of breach of this warranty or any implied warranty (including merchantability) Some states do not allow the exclusion or limitation of incidental or consequential damages, so the above limitation or exclusion may not apply to you. This warranty gives you specific legal right, and you may have other rights which vary from state to state. You may be required by law to give us a reasonable opportunity to correct or cure any failure to comply before you can bring any action in court against us under the Magnusson-moss warranty Act.

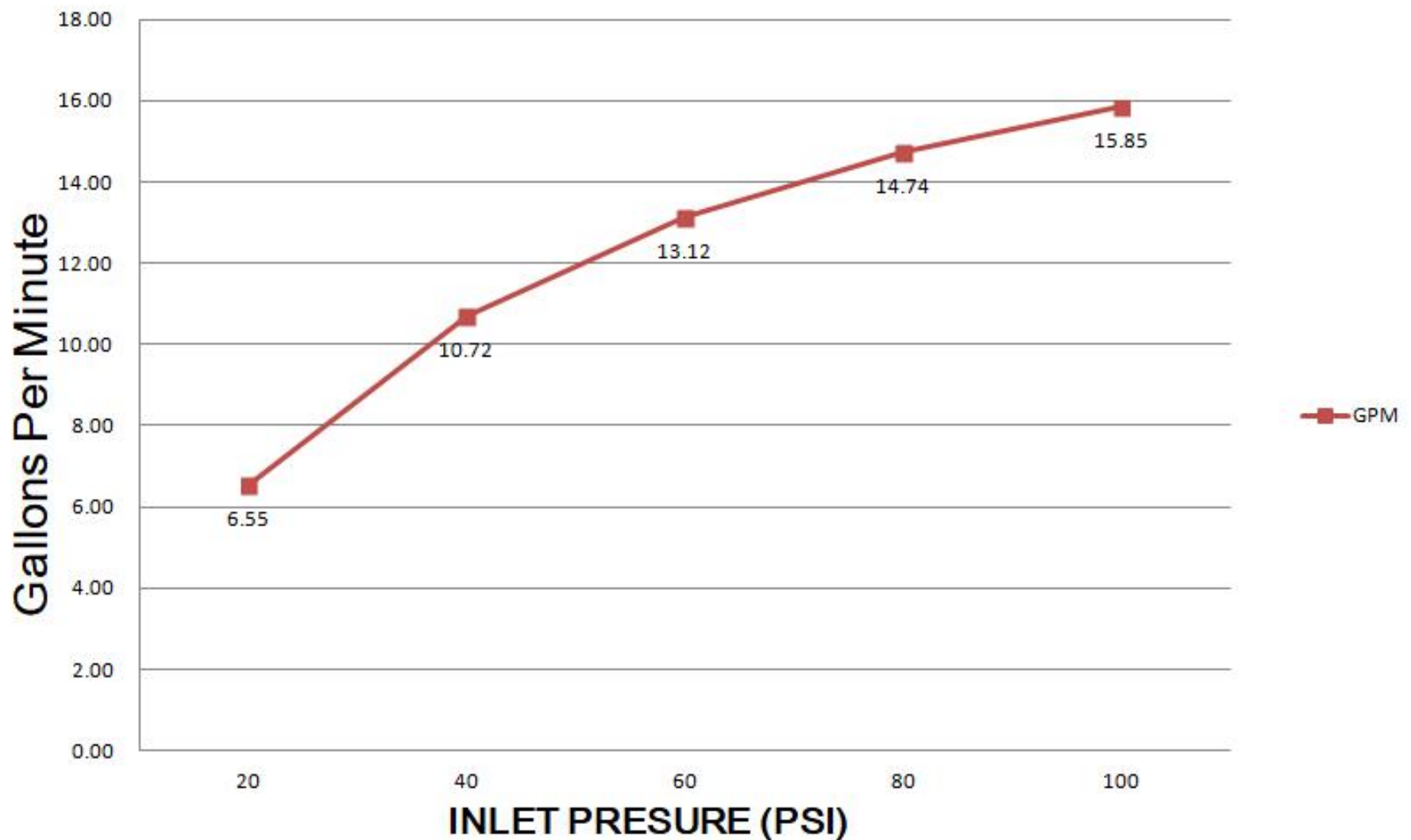
PRODUCT INSTRUCTIONS AND QUESTIONS

Upon purchase or prior to installation, please carefully inspect your SUMERAIN product for any damage or visible defect. Prior to installing, always carefully study the enclosed instructions on the proper installation and the care and maintenance of the product. if you have questions at any time about the use,installation,or performance of your SUMERAIN product, or this warranty, please call or email us at +1-866-203-0866, supports@sumerain.com.

FUNCTIONS AND SPECIFICATION

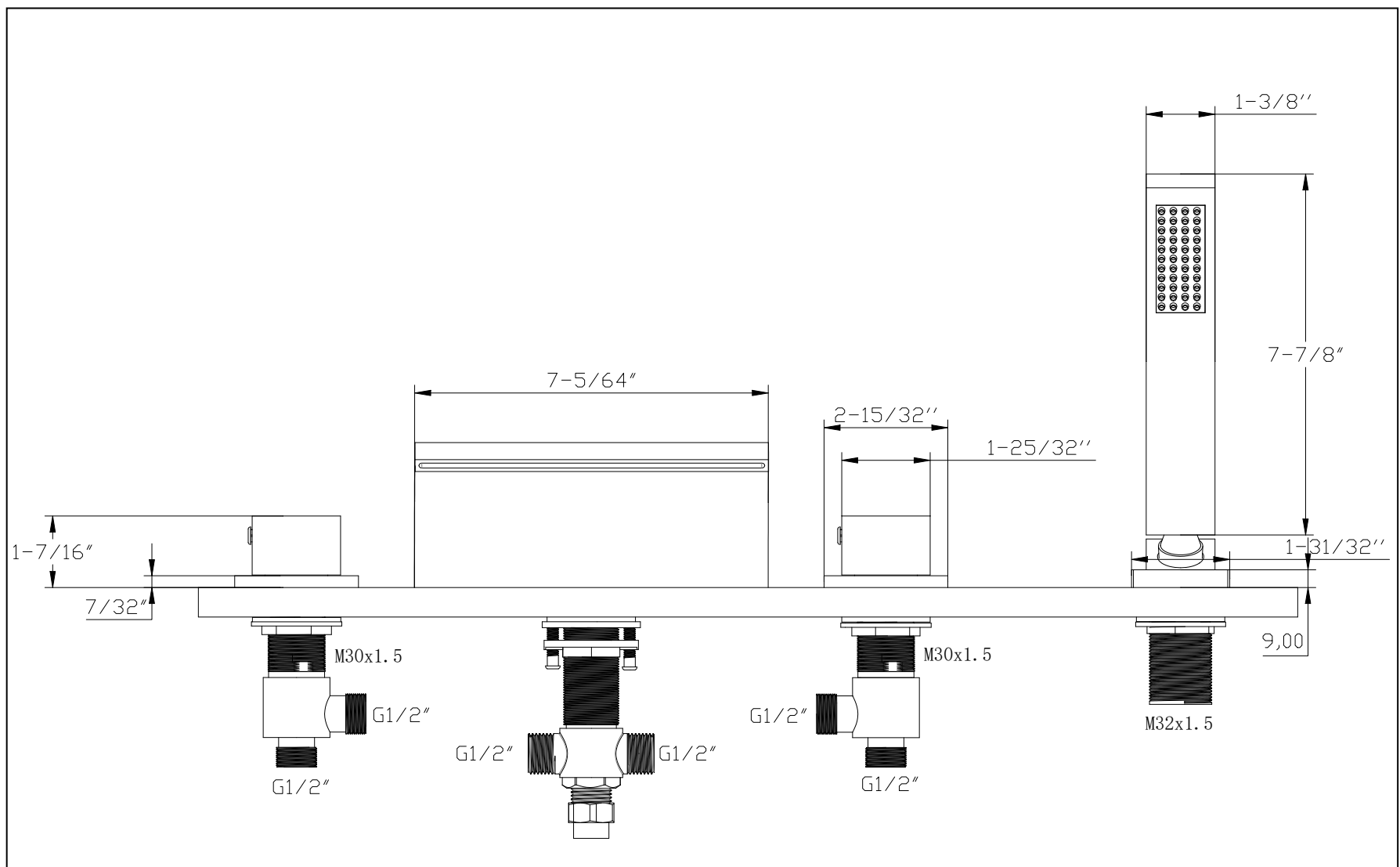
Function	Bathtub Faucets
Feature	Waterfall
Style	Contemporary
Finish	Chrome/Brushed Nickel/Matte black/Brushed Gold
Installation Holes	Four Holes
Number of Handles	Two knobs
Spout total Height	2-29/32 Inch
Spout Reach	4-11/32 Inch
Spout Width	7-5/64 Inch
Spout Height	2-7/16 Inch
Max deck thickness	1-1/4 Inch
Valve Type	Ceramic Disc Valve
Valve Body Material	Brass
Spout Material	Brass
Spout Net Weight	2.86lbs
Gross Weight	8.81lbs
Working water press	29PSI ~ 116PSI
Spout Flow Rate	13.1GPM@60PSI
Packing box size	415mm[16-11/32"]x 285mm[11-7/32"] x 105mm[4-1/8"]

TUB SPOUT FLOW RATE

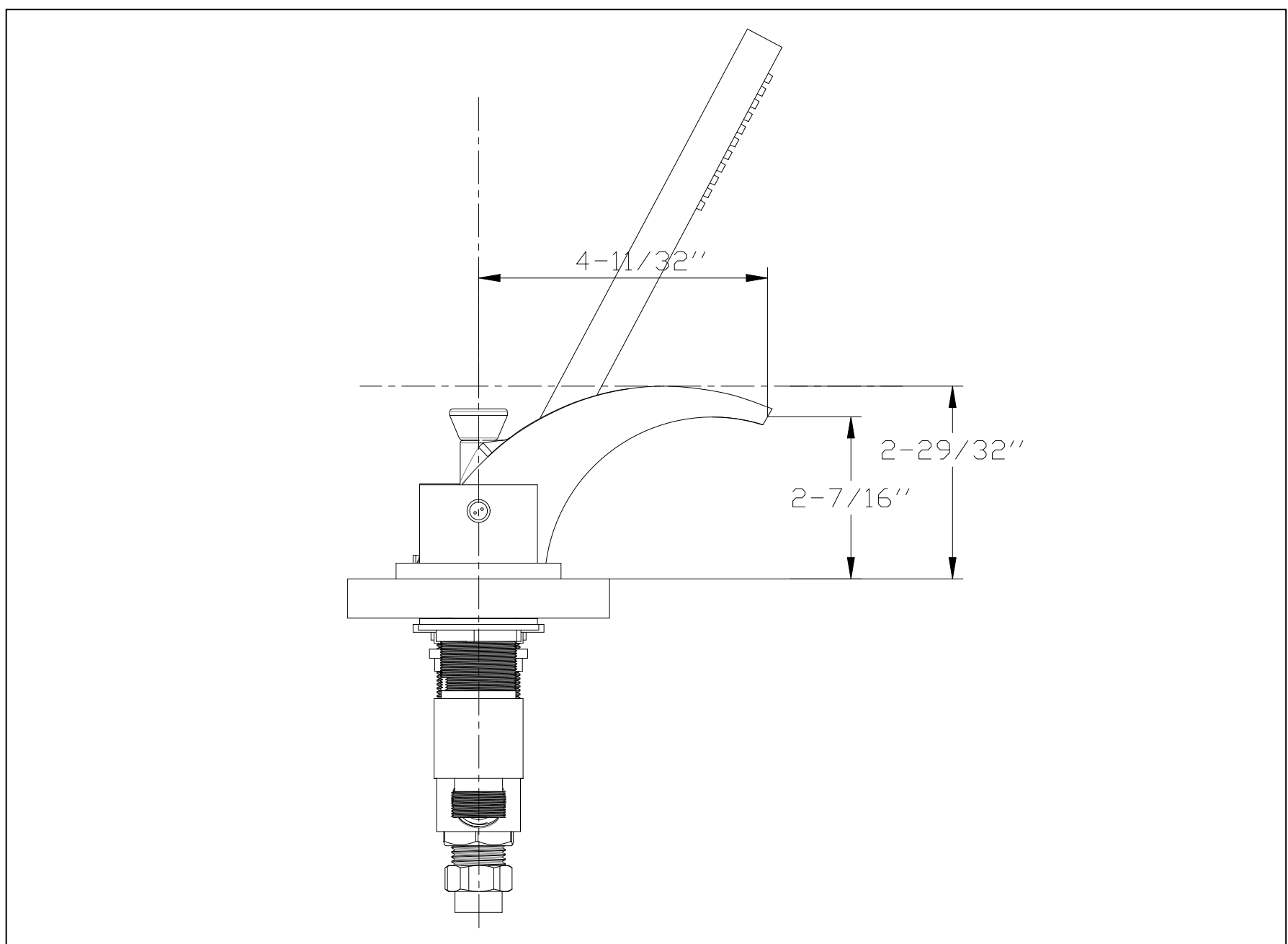


* Flow rates shown are for mixed hot and cold

DEMENSION



Front view of faucet



Side view of faucet

INSTALLATION STEPS

1. BEFORE PROCEEDING



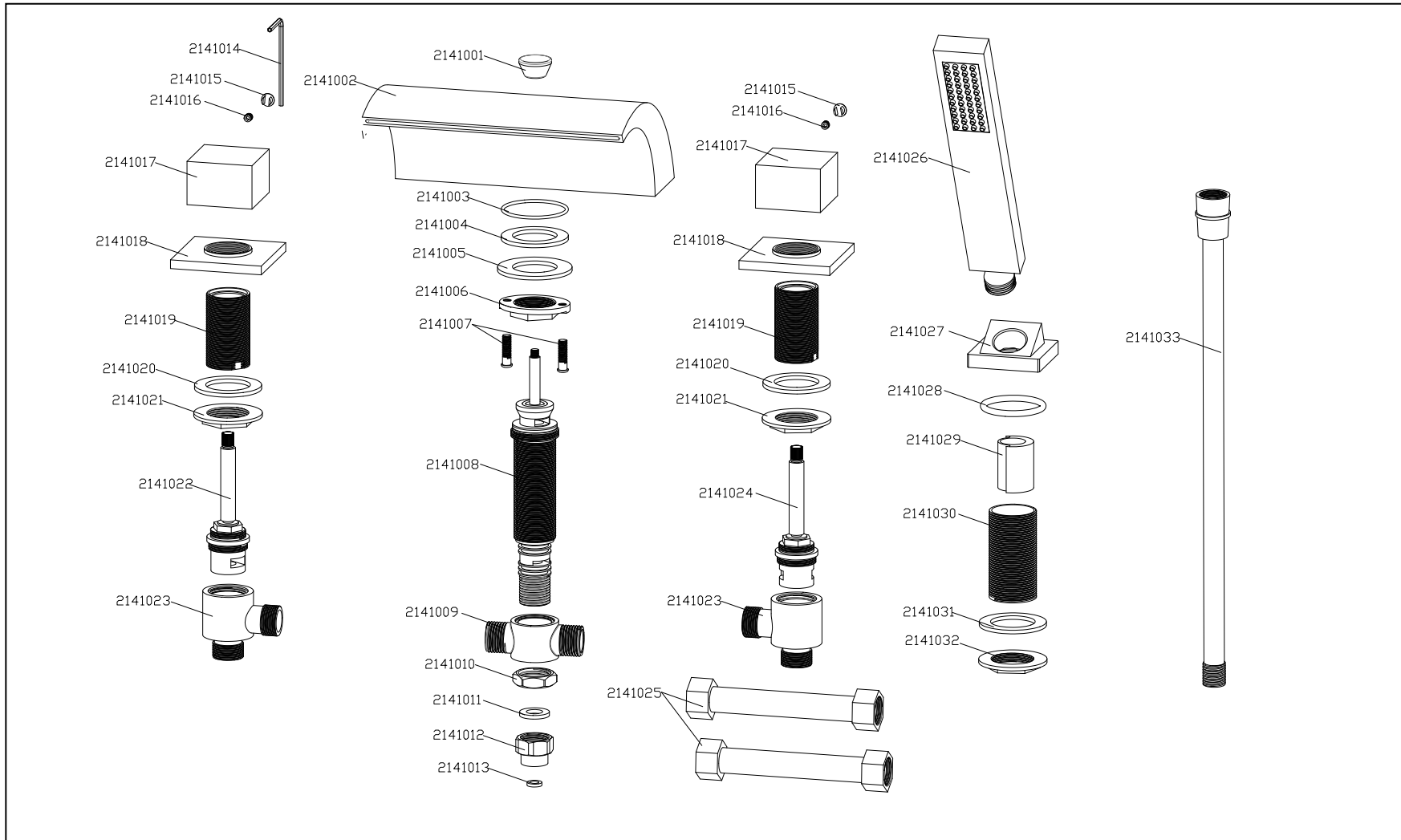
WARNING: Read all the instructions completely before proceeding. SUMERAIN recommends calling a professional if you are uncertain about installing this product!, this product should be installed in accordance with all local and state plumbing and building codes.

2. SHUT OFF WATER SUPPLY

Locate water supply inlets and shut off the water supply valves. These are usually found near the water meter. if you are replacing an existing unit, remove the old unit and clean the mounting surface thoroughly.

3. CHECKING THE CONTENTS OF THE BOX

Upon opening the box, check to ensure that all the following items are included.



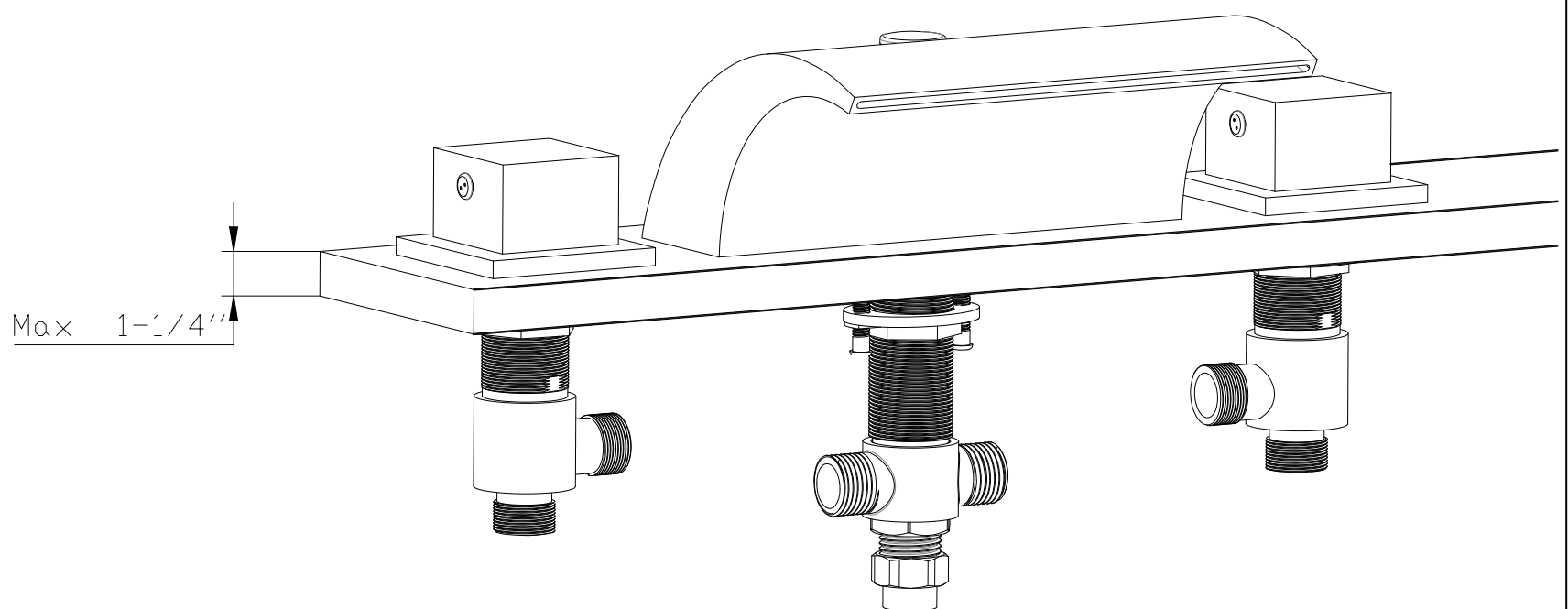
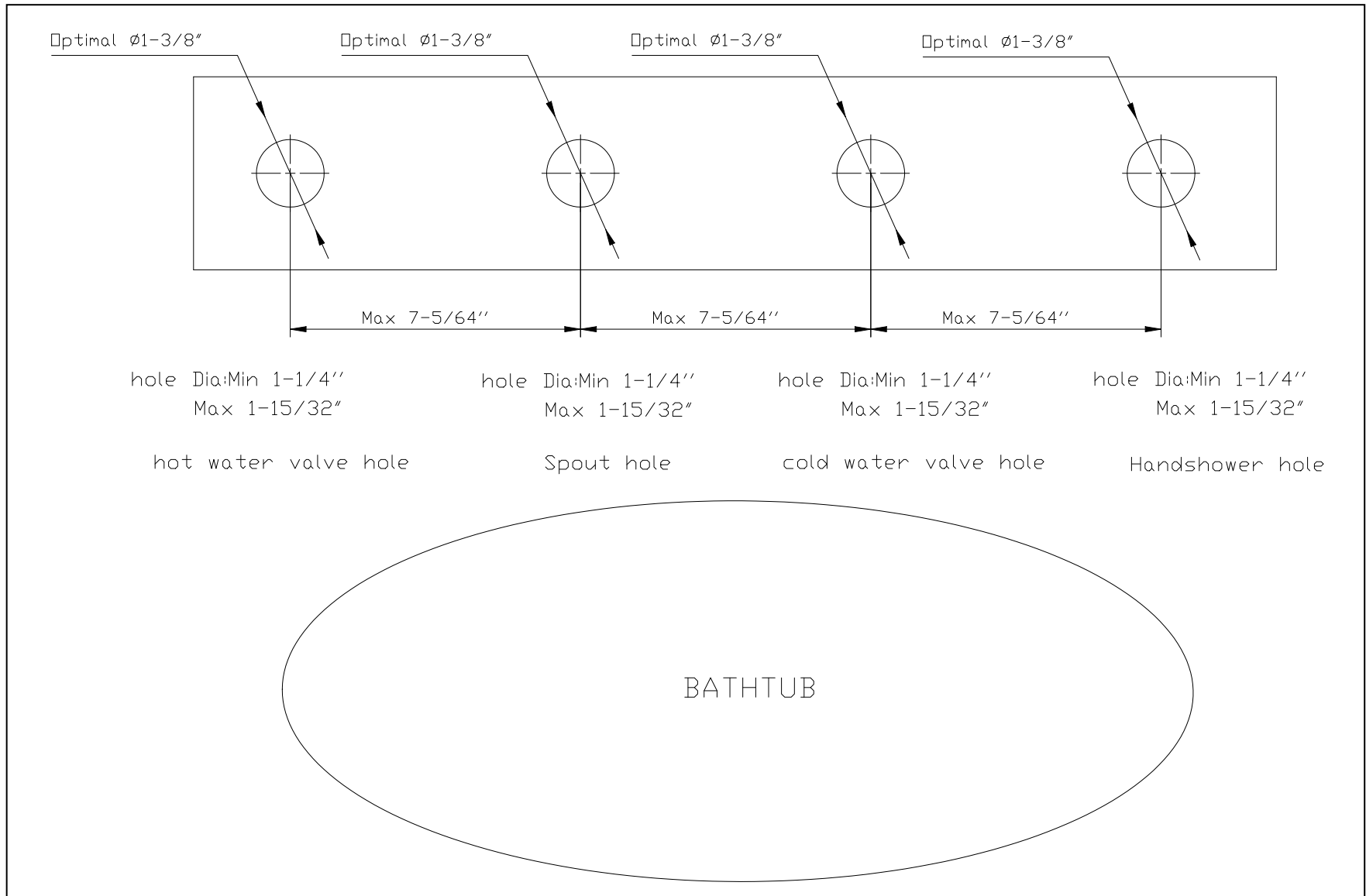
CODE	ITEM NAME	QTY	CODE	ITEM NAME	QTY
2141001	Diverter knob	1PCS	2141002	Spout	1PCS
2141003	O-ring	1PCS	2141004	Rubber washer	1PCS
2141005	Metal gasket	1PCS	2141006	Lock Nut	1PCS
2141007	Screws	2PCS	2141008	Diverter valve body	1PCS
2141009	Tee	1PCS	2141010	Lock Nut	1PCS
2141011	Rubber washer	1PCS	2141012	Shower Hole Adapter	1PCS
2141013	Rubber washer	1PCS	2141014	Allen wrench	1PCS
2141015	Screw cover	2PCS	2141016	Set screws	2PCS
2141017	Knob	2PCS	2141018	Escutcheon	2PCS
2141019	Extension shank	2PCS	2141020	Rubber washer	2PCS
2141021	Lock Nut	2PCS	2141022	Hot disc cartridge	1PCS
2141023	Valve body	2PCS	2141024	Cold disc cartridge	1PCS
2141025	G1/2" Flexible hose(30cm)	2PCS	2141026	Hand shower	1PCS
2141027	Hand shower holder	1PCS	2141028	O-ring	1PCS
2141029	Hose sleeve	1PCS	2141030	Extension shank (M32X1.5)	1PCS
2141031	Rubber washer	1PCS	2141032	Lock Nut	1PCS
2141033	Shower hose	1PCS			

If any of these items are missing, please E-mail SUMERAIN consumer service team: supports@sumerain.com

4. INSTALLATION HOLES INSPECTION

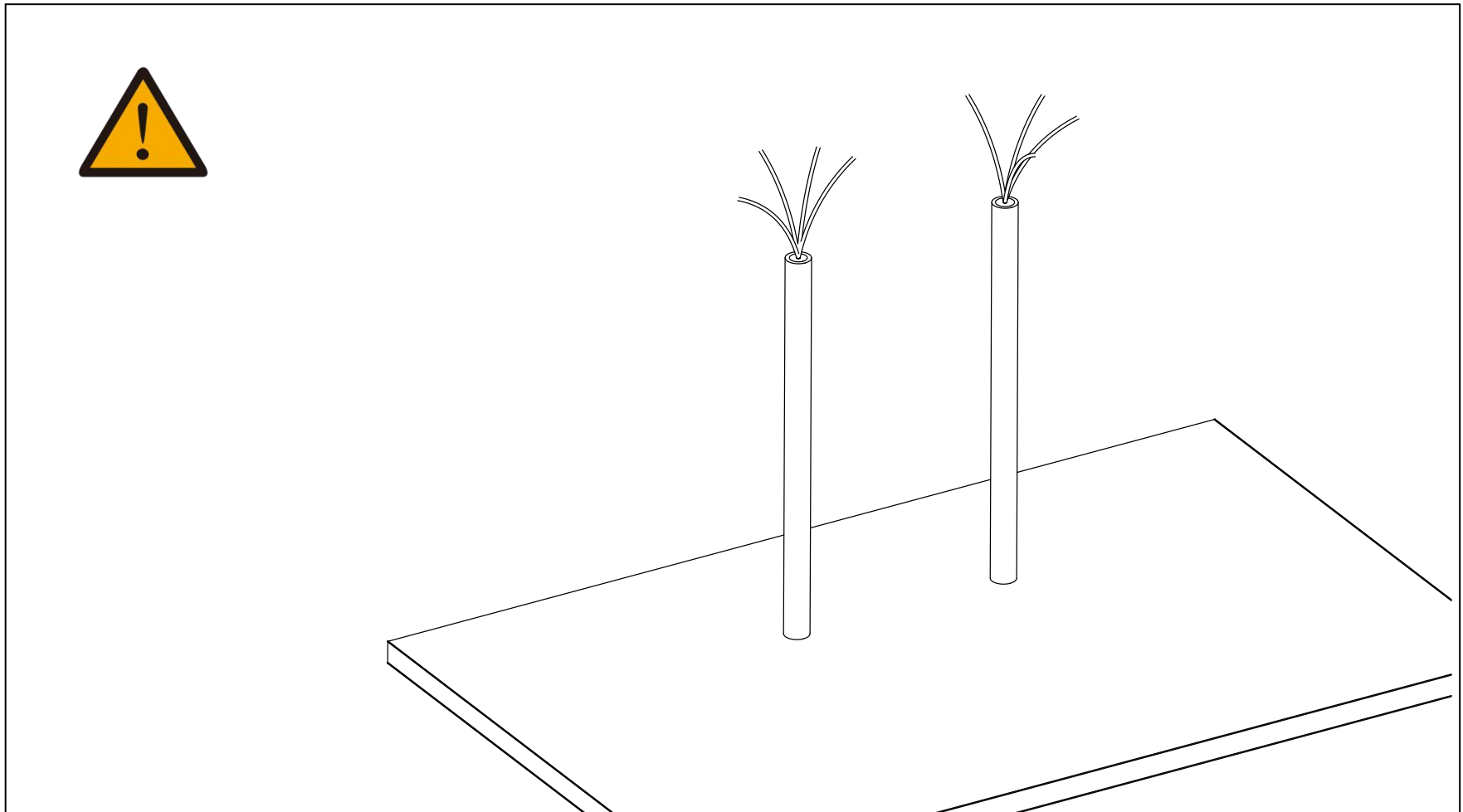


Verify that the hole sizes and positions in the wall are correct, the optimal diameter of mounting hole optional is 1-3/8", the max deck thickness is 1-1/4".

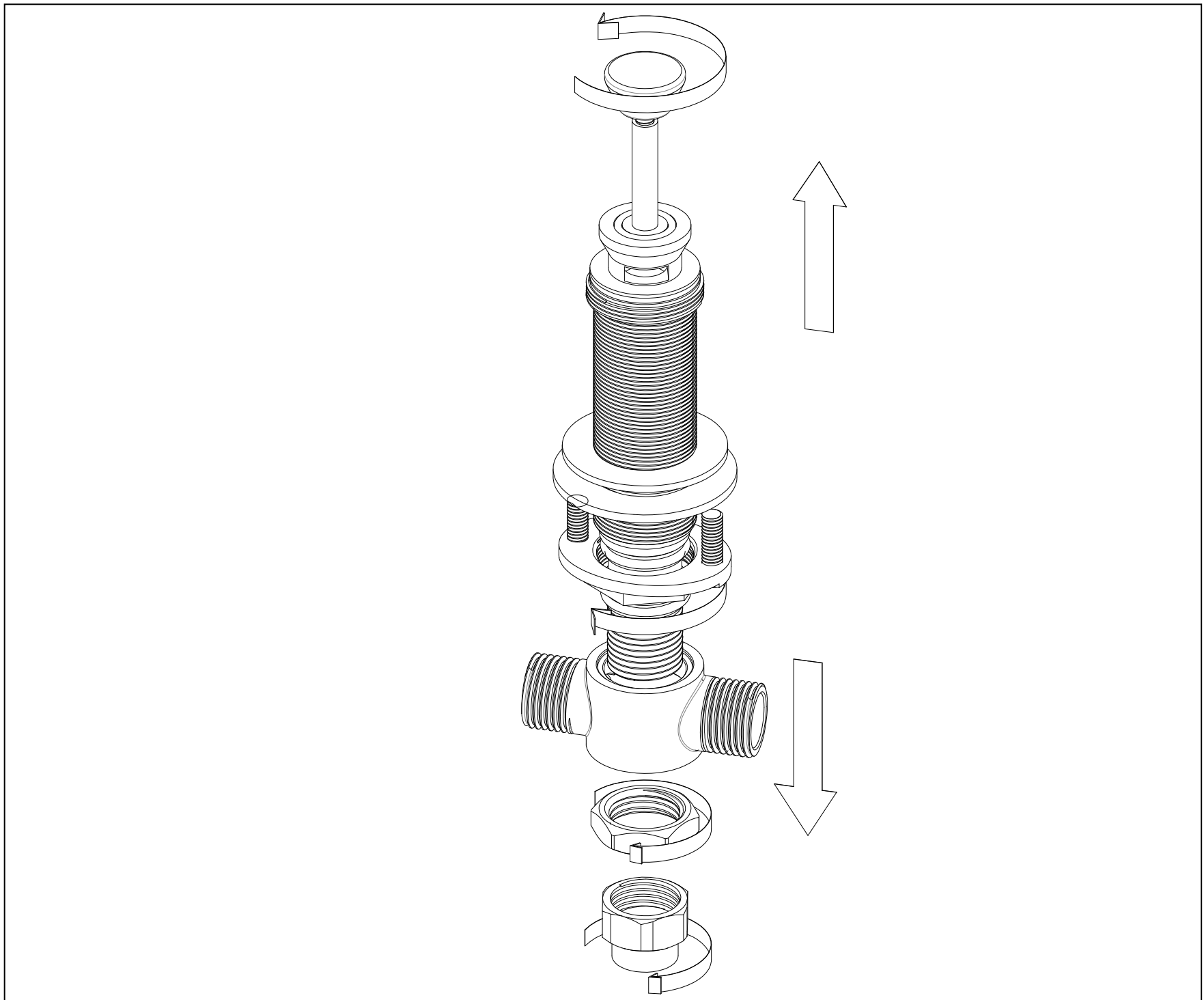


5. INSTALLATION

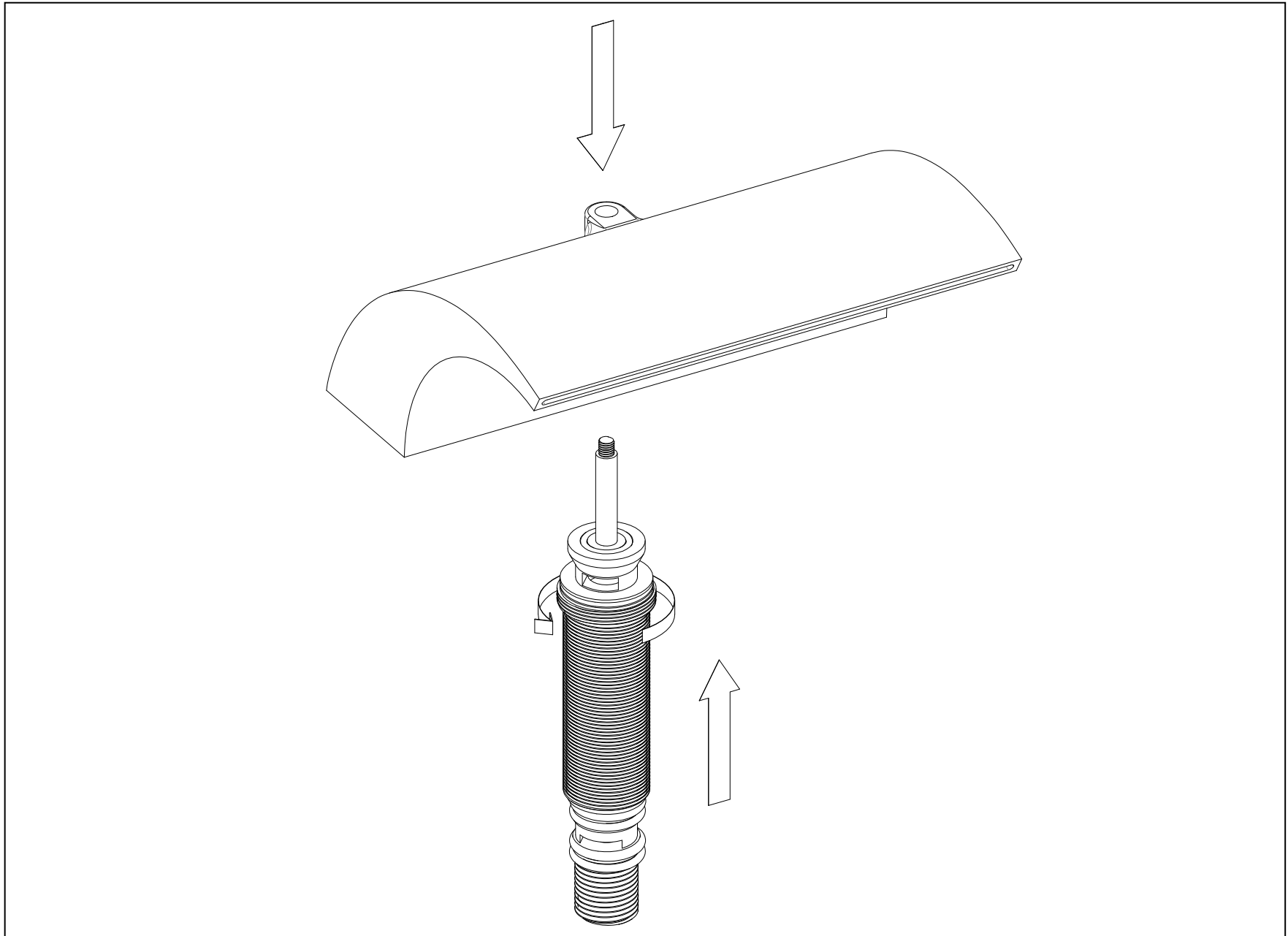
5.1 Turn on your shut-off valve for cleaning the hot and cold water supply pipe before connect to the faucet, allow the water flush 3~5 minutes to flush out dirt and debris. Shut off the water supply again after finish.



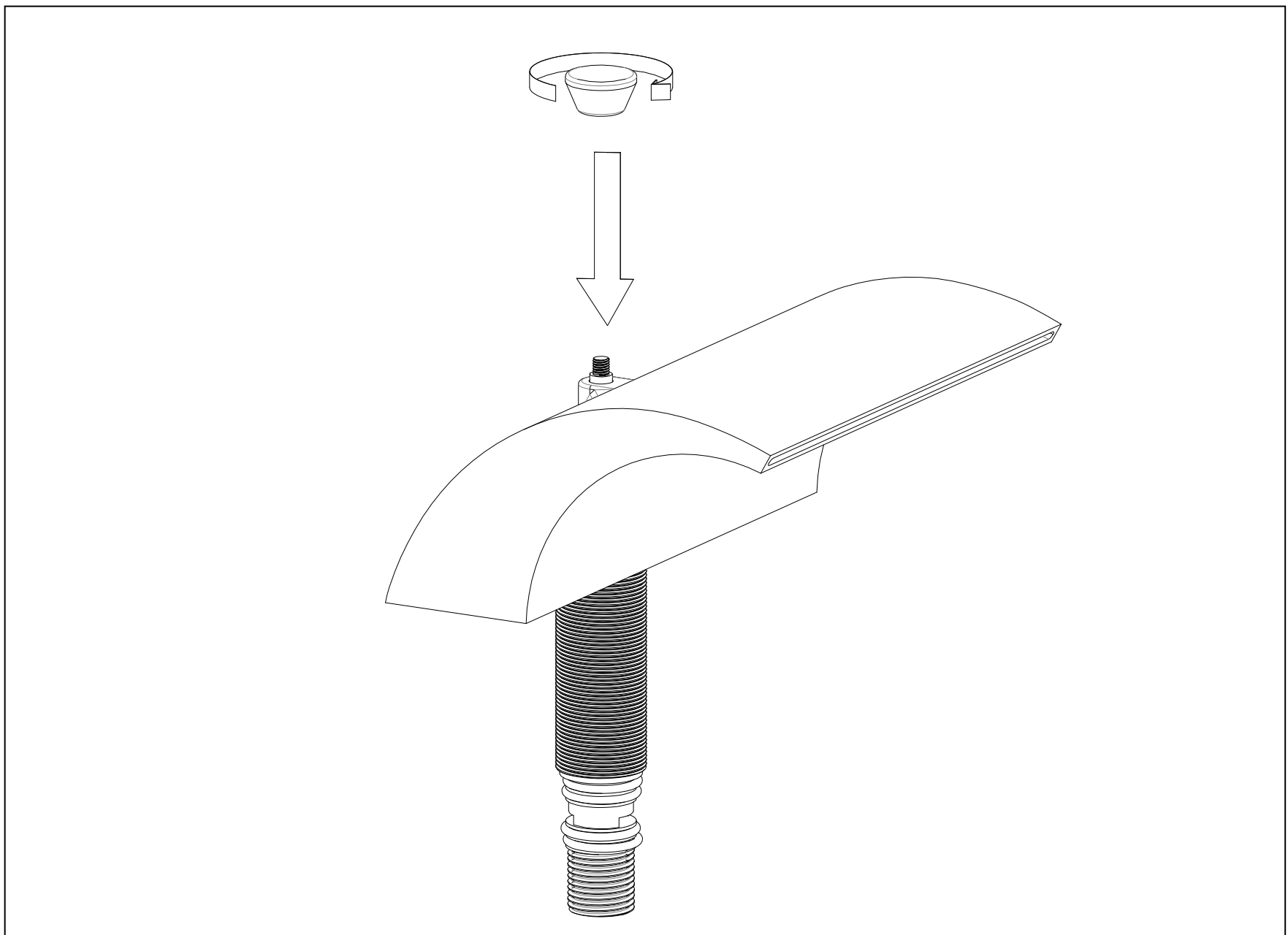
5.2 Disassemble diverter valve assembly.



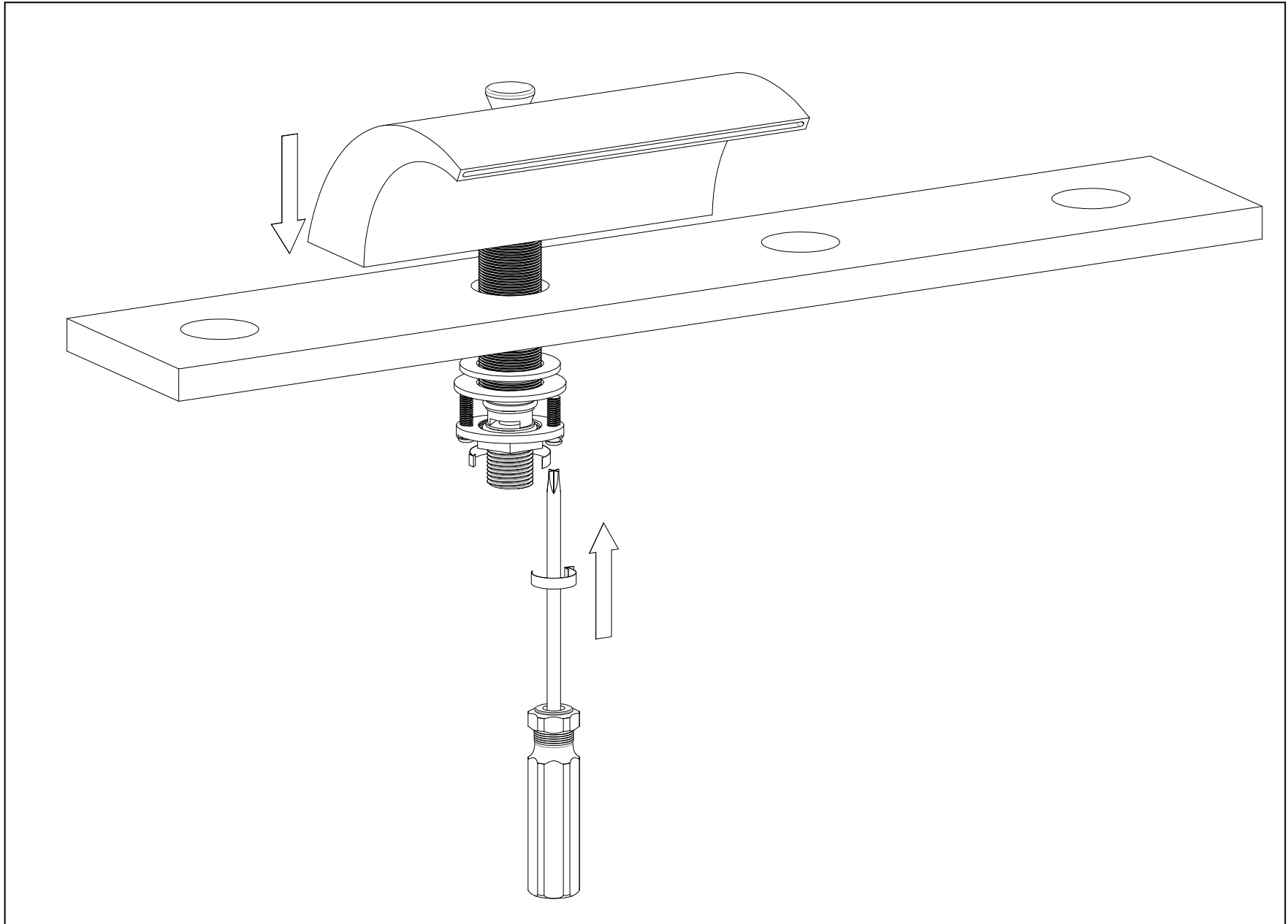
5.3 Attach the diverter valve body to spout.



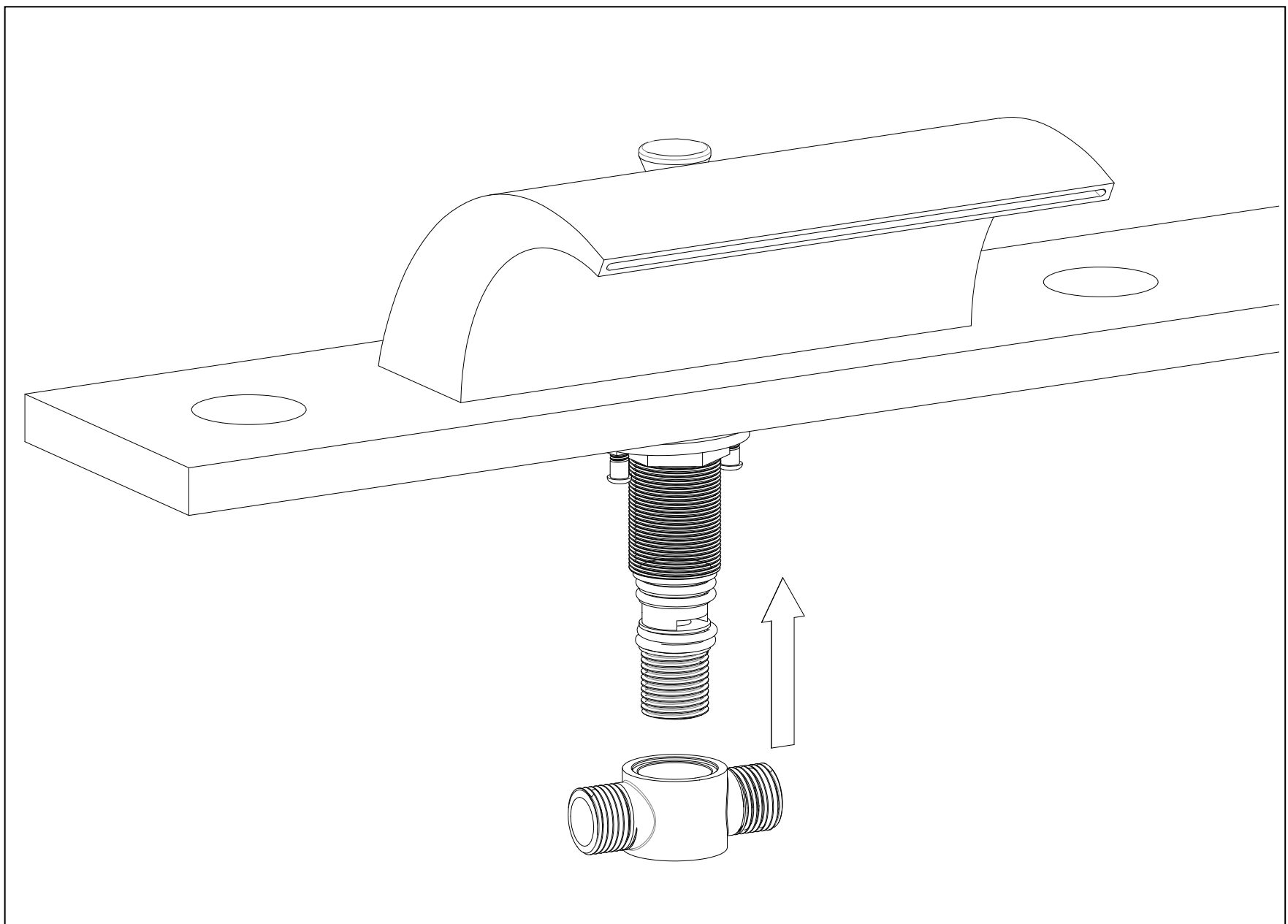
5.4 Attach and Install the diverter knob to diverter rod.



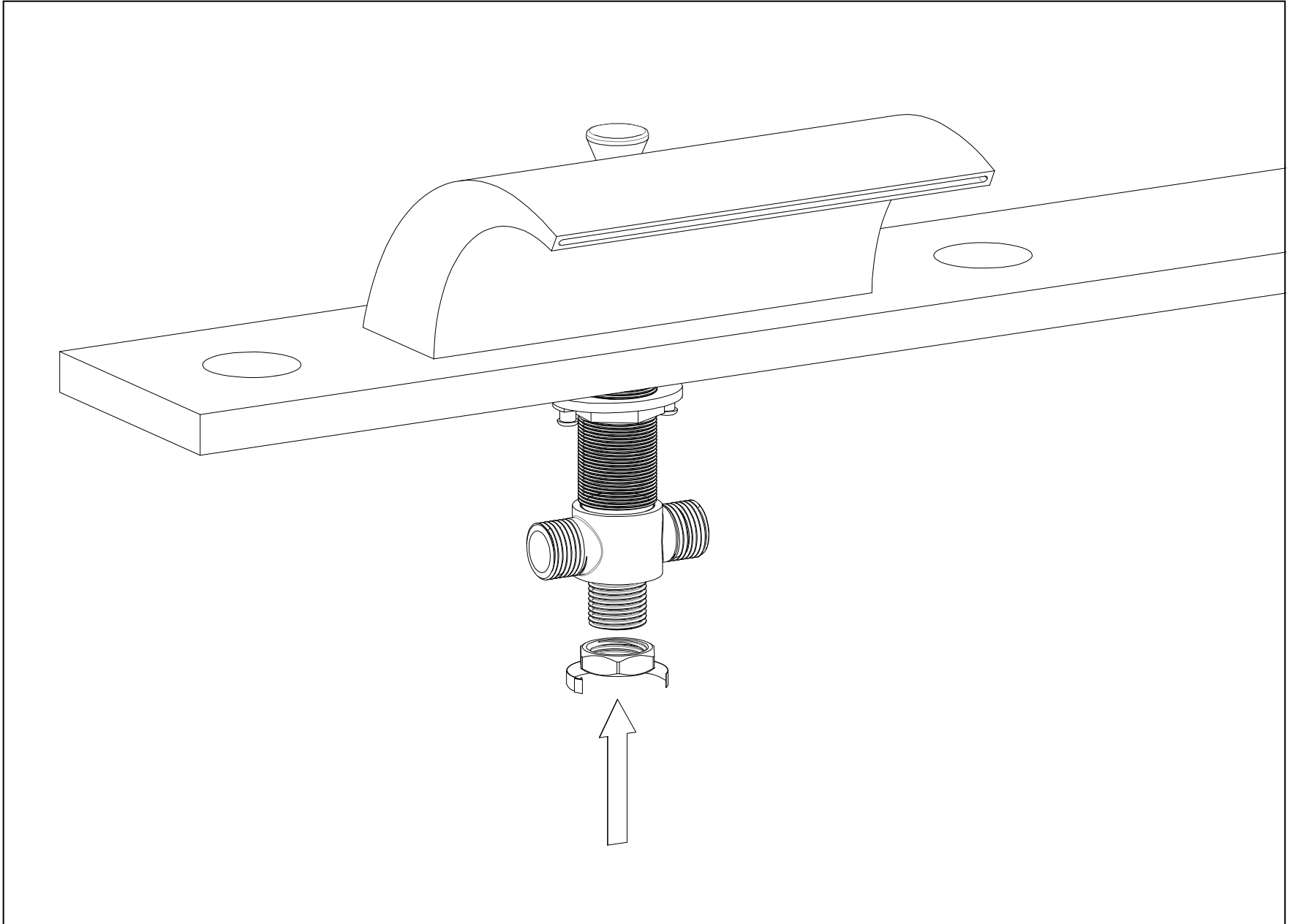
5.5 Position spout onto the hole of mounting surface, attach rubber washer on spout shank and fasten with shank locknut by wrench and screw driver from underneath.



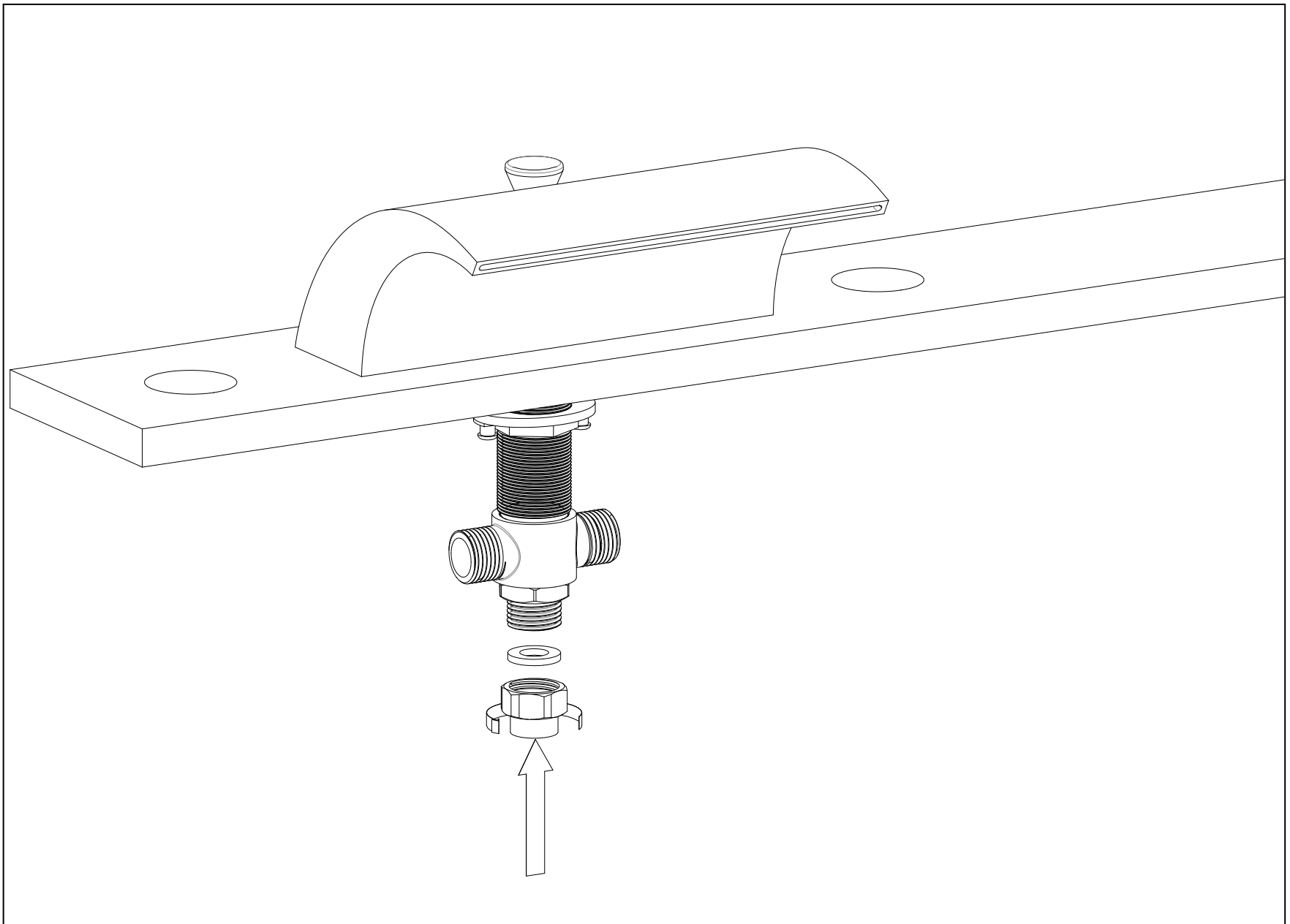
5.6 Attach the tee to diverter valve body.



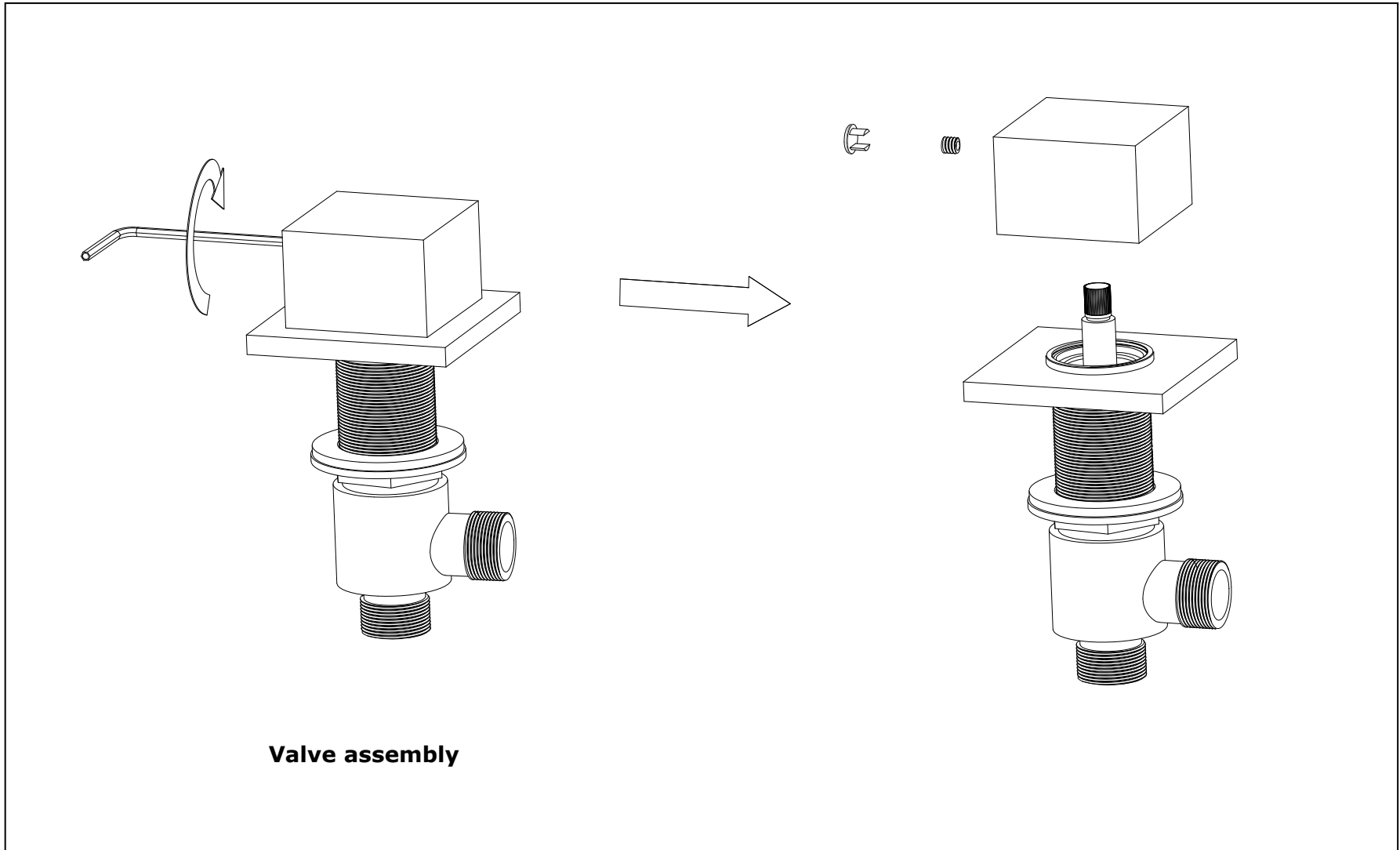
5.7 Fasten the tee with locknut.



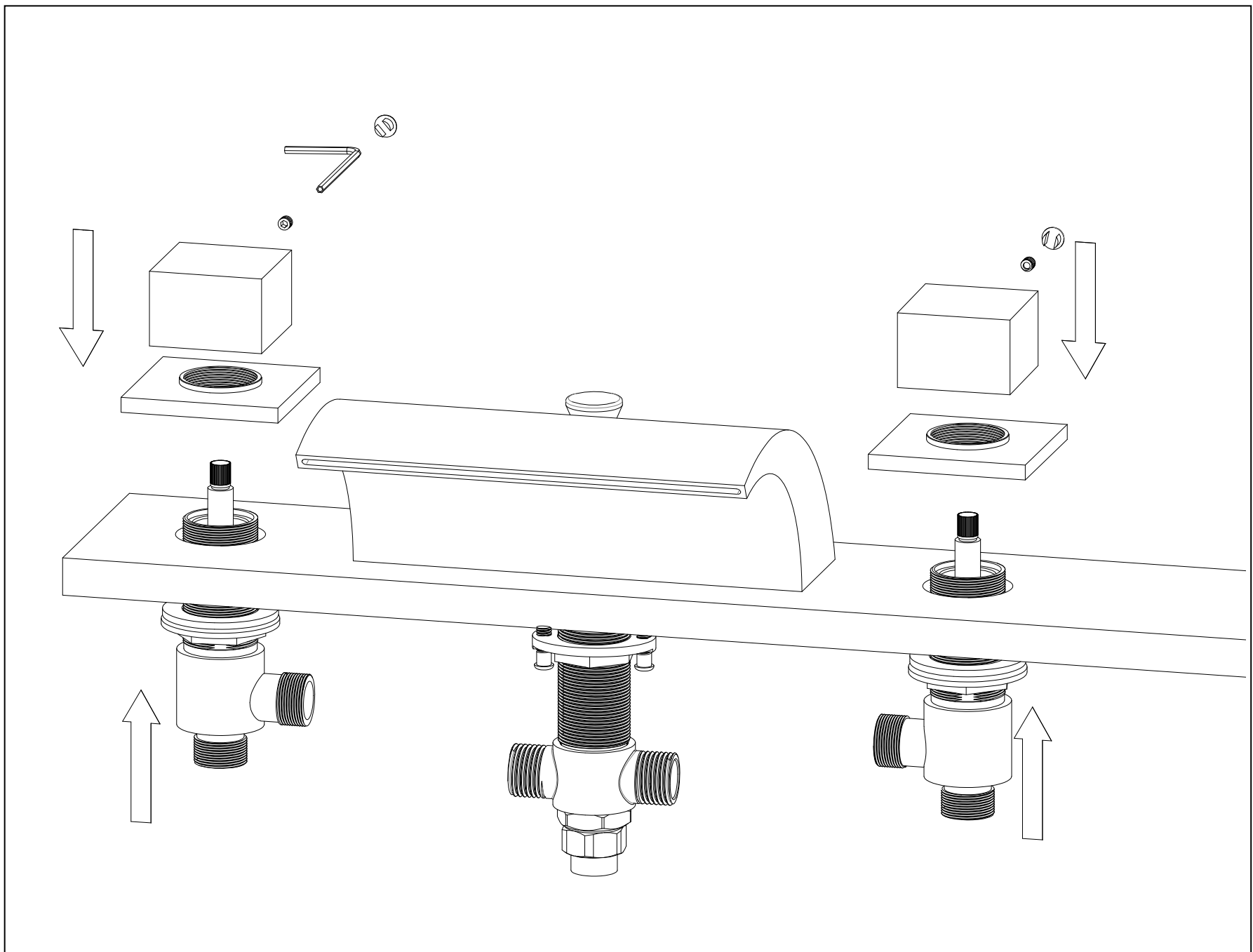
5.8 Install the hand shower hose adapter to diverter valve body.



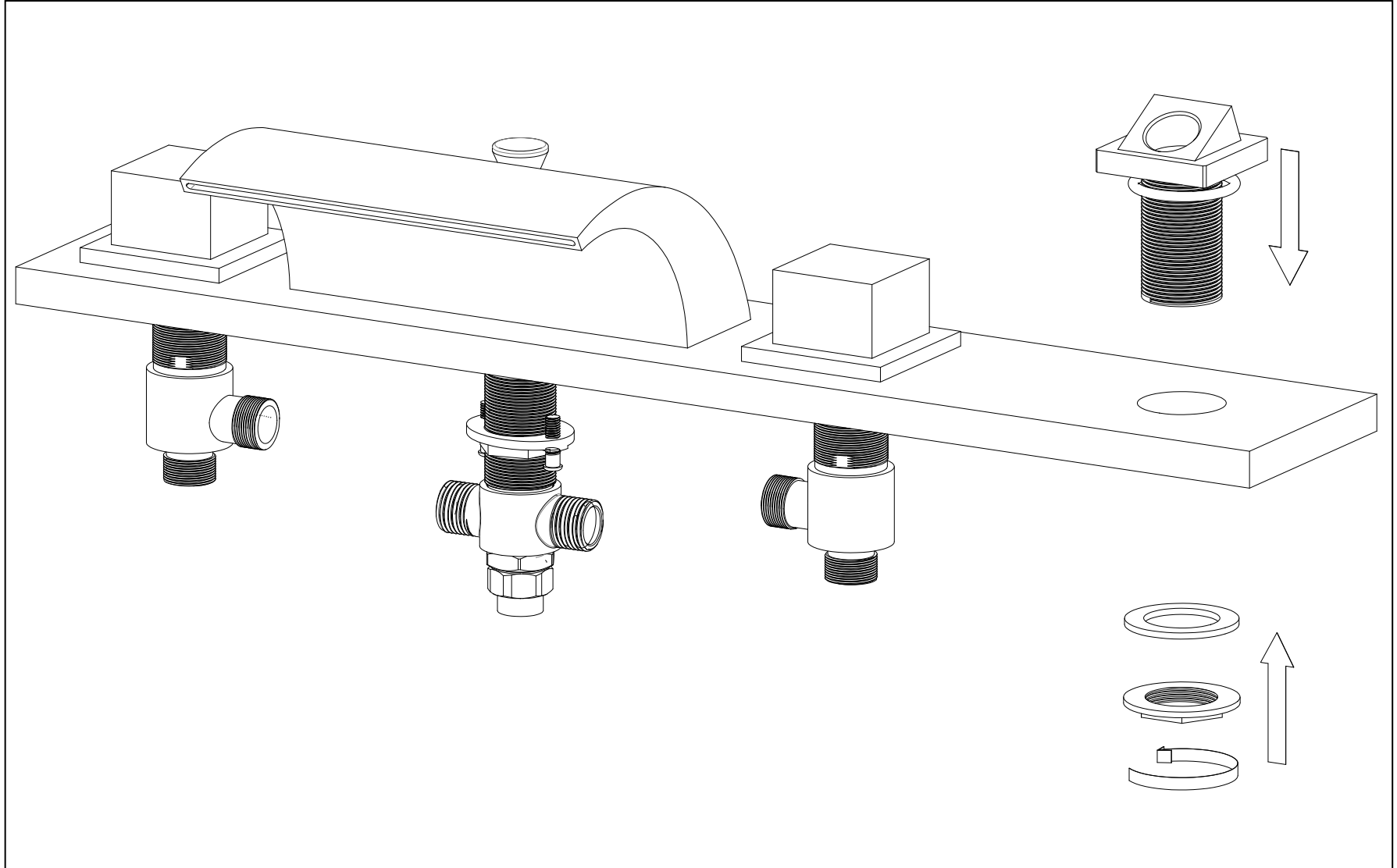
5.9 Disassemble hot and cold water valve assembly to prepare for next step's installation. Take out the screws cover from knob and loose the inside set screw by Allen wrench anticlockwise, disassemble the knob from the valve assembly .



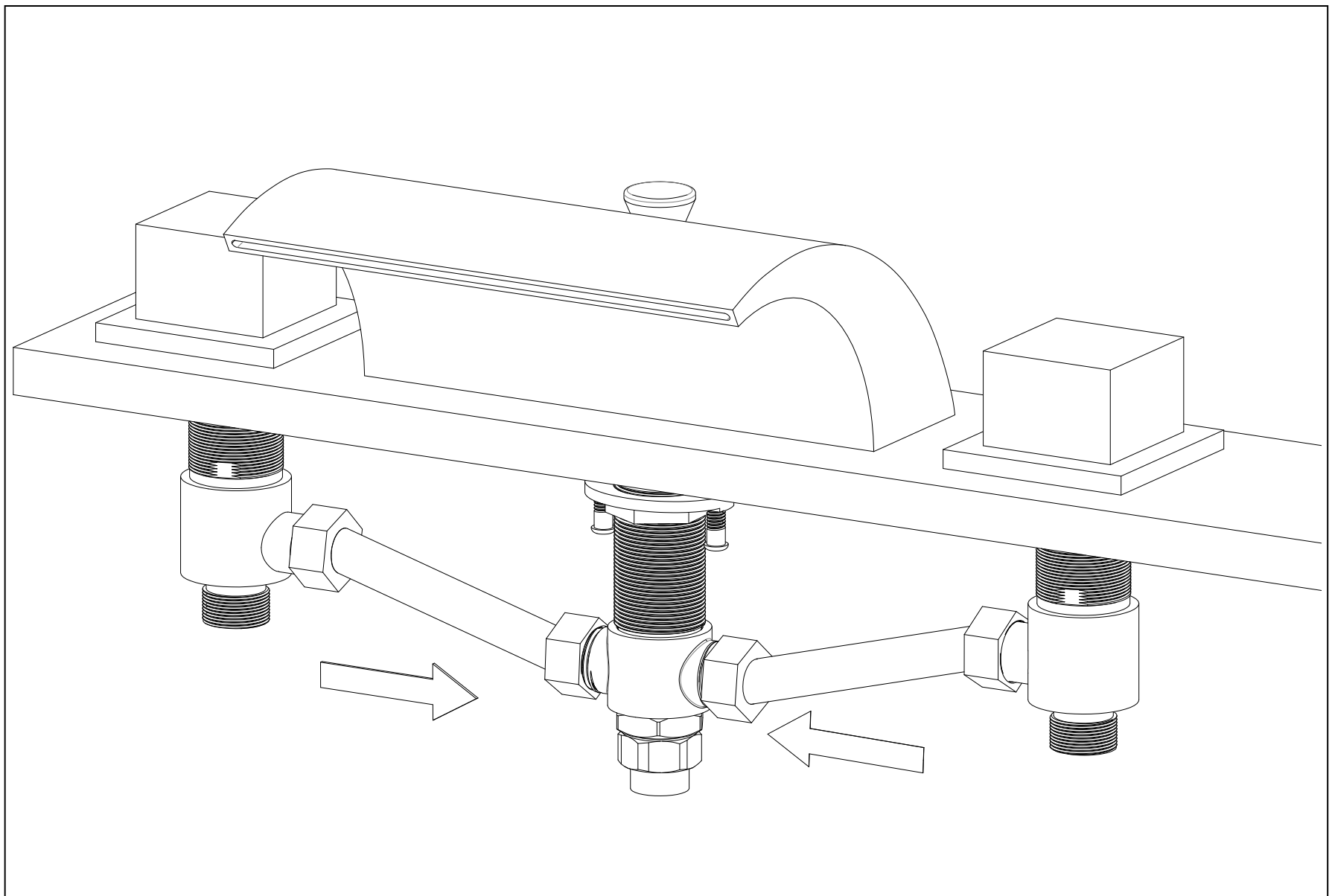
5.10 Place the valve body onto mounting surface, attach the rubber washer and locknut from underneath of mounting surface, Then reposition escutcheons as necessary to a desired height. Repeat the same procedure for the right cold valve assembly.



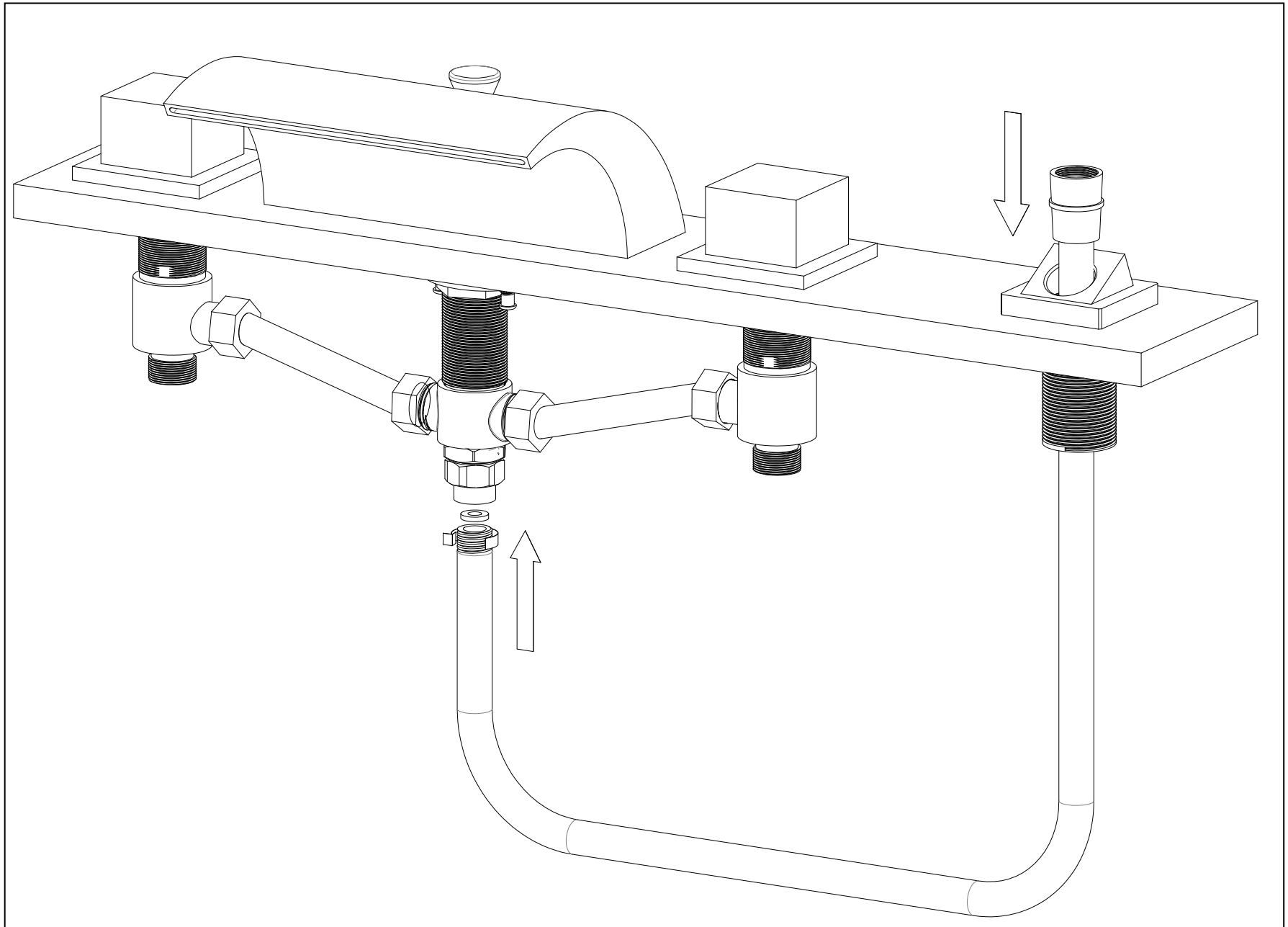
5.11 Place the hand shower holder onto mounting surface, attach the rubber washer and locknut from underneath of mounting surface, fasten with locknut by wrench from underneath.



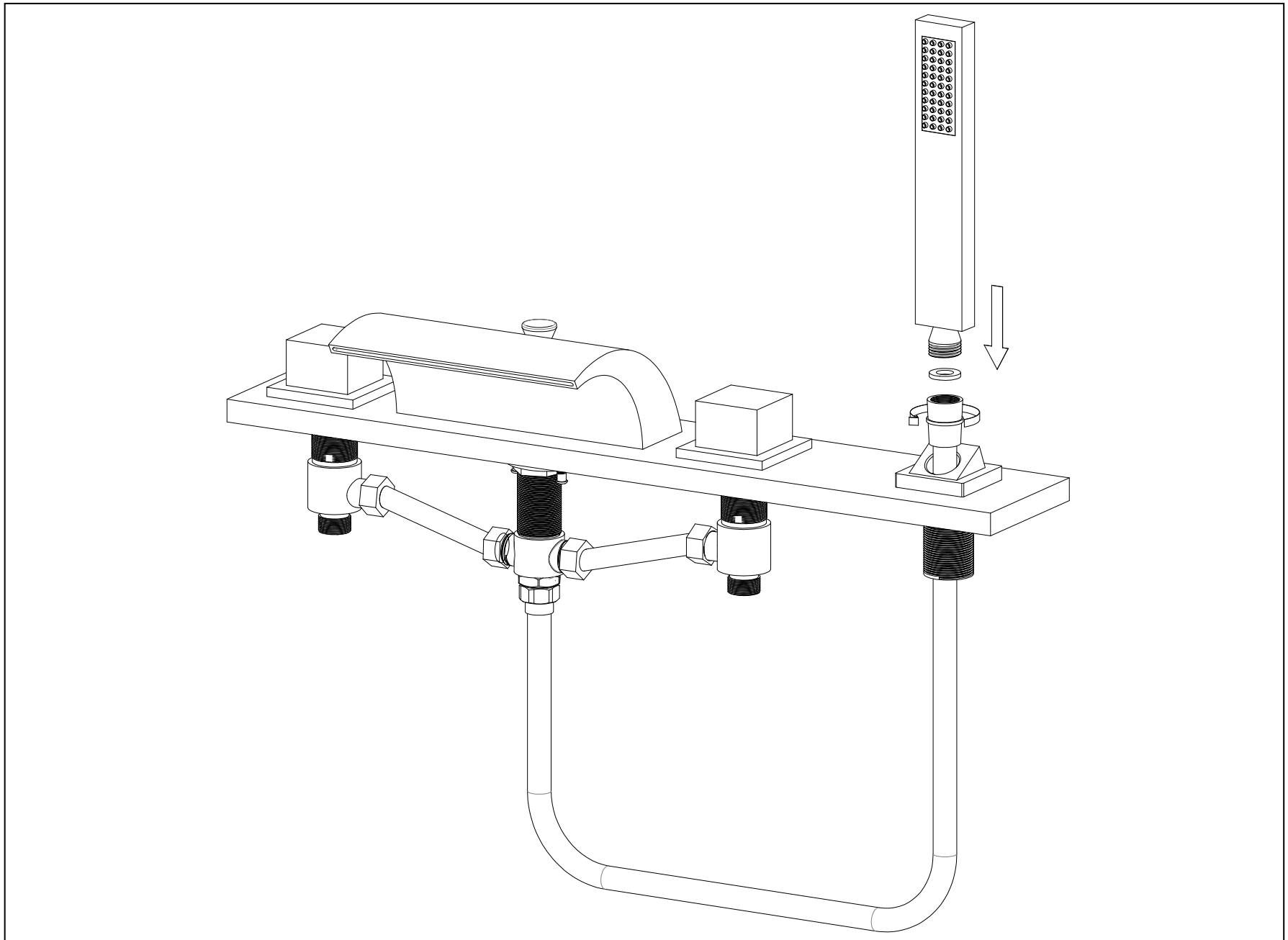
5.12 Connecting the cold water valve body and hot water valve body to diverter tee with flexible hoses.



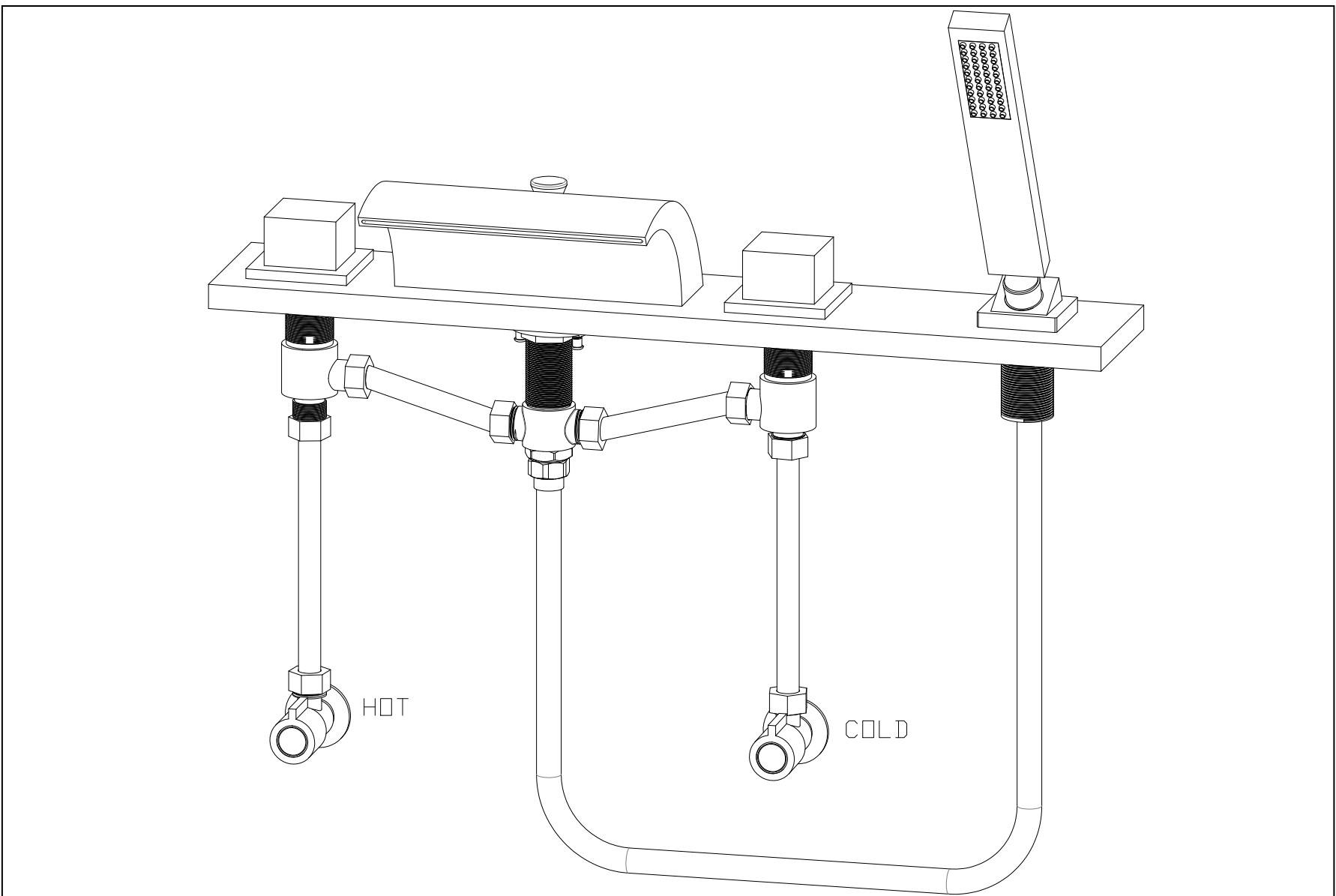
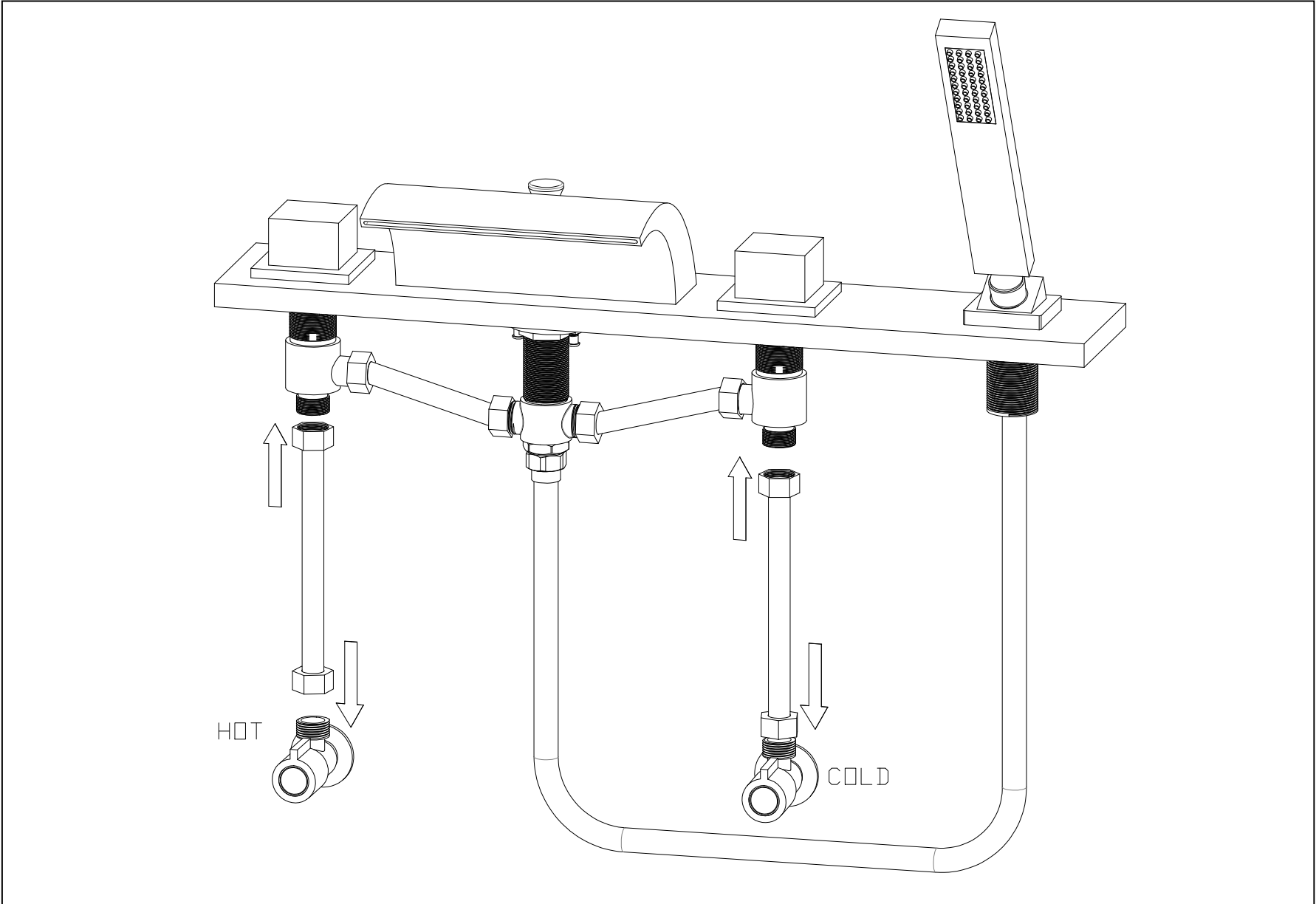
5.13 Connecting the cold water valve body and hot water valve body to tee with shower hoses.



5.14 Connecting the hand shower to shower hose.



5.15 Connect hot valve body's inlet connector and cold water valve inlet connector to stop valve separately with flexible hose. The water inlet connecting of hot and cold Valve body is G1/2" [1/2 BSPP], US, CA customers may require NPT cover to BSPP adapter for connecting.



6. INSPECTION

6.1 Turn on hot and cold water supply and check all connection for ensuring no leaking anywhere.

INSTALL FINISH

CLEARNING RECOMMENDATION FOR SUMERAIN PRODUCTS

Modern lavatory faucets, kitchen faucets, and showers consist of very different materials to comply with the needs of the market with regard to design and functionality. To avoid damage and returns, it is necessary to consider certain criteria when cleaning.

Cleaning Materials for faucets and showers

Acids are a necessary ingredient of cleaning materials for removing lime, however please pay attention to the following points when cleaning faucets and showers:

- Only use cleaning materials which are explicitly intended for this type of application.
- Never use cleaning materials which contain hydrochloric, formic, phosphoric, or acetic acid, as they cause considerable damage.
- Never mix one cleaning material with another.
- Never use cleaning materials or appliances with an abrasive effect, such as unsuitable cleaning powders, sponge pads, or micro fiber cloths.

Cleaning instructions for faucets and showers

Please follow the cleaning material manufacturer's instructions. In addition, pay attention to the following points:

- Clean the faucets and showers as and when required.
- Use the amount of cleaning product and the amount of time recommended by the manufacturer. Do not leave the cleaner on the fixture longer than necessary.
- Regular cleaning can prevent calcification, if scale deposits are noticed on the faucet surface or the spout, you can clean it by a commercial limescale remover, such as Lime-Away® or CLR®. Dilute the remover according to the label instructions.
- The faucets might have some rusty if your faucet under hard water condition, please rub it with aluminum foil dipped in water until the surface is nice and smooth, and wipe it use a small amount of chrome polish or maybe something like car wax (such as Meguiar®, Turtle Wax®) or polish.
- For stainless steel faucet and spout both made of solid stainless, normally this finish has not protective coating on it (in particular waterfall spout inside), stainless steel is by its material nature very tarnish resistant, but by no means tarnish or stain proof. This finish might oxidize naturally over time and react to its environment. Keep your stainless fixture wiped clean and dry and use only a cleaner specifically made for stainless steel (such as Weiman®, CLR®).
- When using spray cleaners, spray first onto a soft cloth or sponge, never spray directly onto the faucet as droplets can enter openings and gaps and cause damage.
- After cleaning, rinse thoroughly with clean water to remove any cleaner residue.

Important

Residues of liquid soaps, shampoos, and shower foams can also cause damage, so rinse with clean water after using.



Please note: if the surface is already damaged, the effect of cleaning materials will cause further damage.

**Components with damaged surfaces must be replaced or injury could result.
Damage caused by improper treatment is not covered under the warranty.**

SUMERAIN®

SUMERAIN INTERNATIONAL GROUP INC

Address: 1226 NORTH KING ST NUM 522
WILMINGTON, DE 19801
United States

Tel: +1(866)203-0866

Web: <http://www.sumerain.com>

E-mail: supports@sumerain.us

HONGKONG SUMERAIN SANITARY INDUSTRY CO., LIMITED

Address: FLAT/RM 3B 3/F BANK TOWER
NOS.351&353 KING'S ROAD
NORTH POINT
HK

Tel: +86-750-2731579

E-mail: supports@sumerain.com

SUMERAIN EUROPE SUPPORT

Address: Flottwellstr. 15
10785 Berlin,
Deutschland

Tel: +49 (0)30/23975898

E-mail: de@sumerain.com