

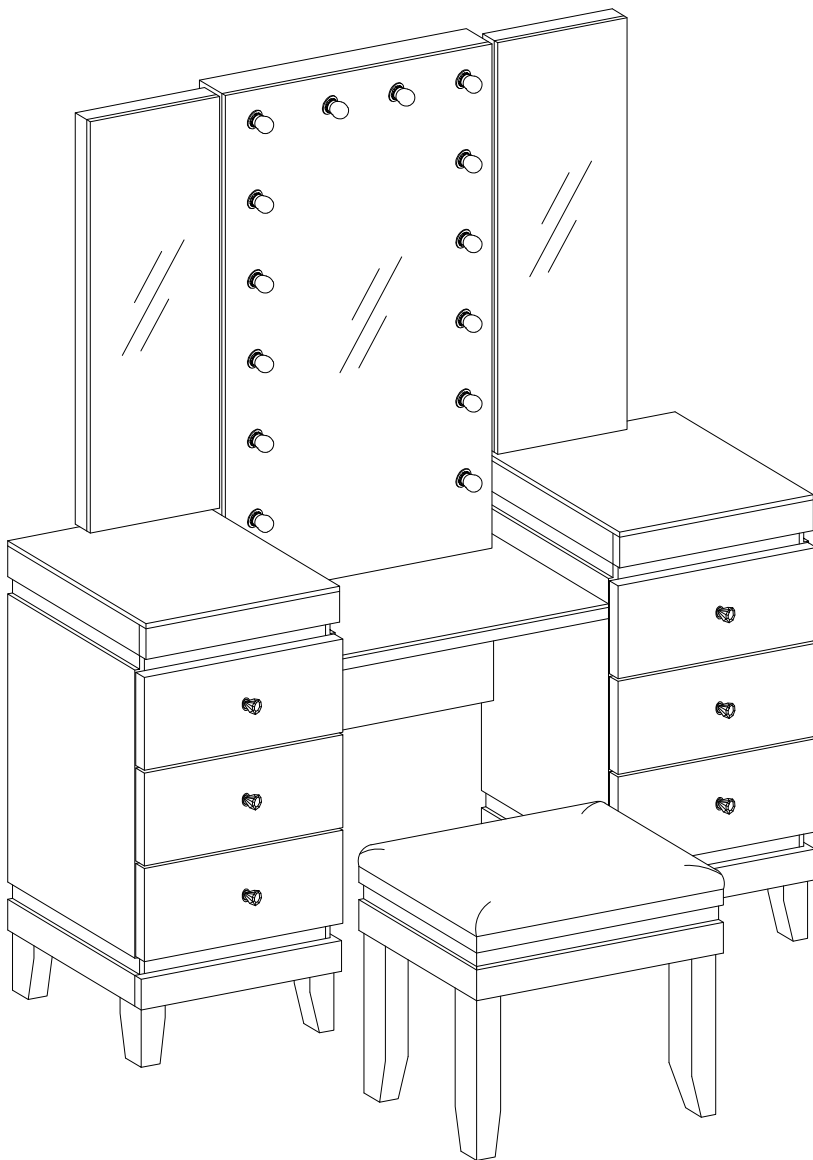
# ASSEMBLY INSTRUCTIONS

MODEL #

**CM-DK824**

Questions?

GIVE US A CALL: 1-888-980-5122  
MON-FRI 8:30AM - 5:30PM (PT)



## TOOLS REQUIRED



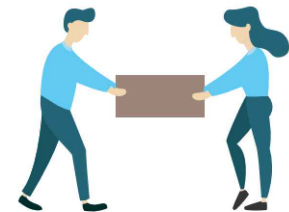
Allen Wrench

(Included)



Phillips  
Screwdriver

(Not Included)



2 - People  
Recommended

## ASSEMBLY RATING



EASY —————> DIFFICULT

The Assembly Rating is a 5-point system showing the level of effort needed to assemble a specific product.




FOA Intro

Thank you for your purchase!

We hope you enjoy this new addition to your home for many years to come.

Our commitment to providing quality products does not simply end when you purchase our product. We fully stand behind our products from start to finish. Our customer service department is available Monday – Friday 8:30 AM – 5:30 PM Pacific Time and can help with assembly questions as well as, if necessary, replacing damaged or missing parts. To help expedite our service, please have these assembly instructions readily available, along with your order receipt.

 **Consumer Hotline**  
Toll-Free 1-888-980-5122

 **Monday to Friday**  
8:30AM- 5:30PM (PT)

 **WEBSITE**  
[www.foagroup.com](http://www.foagroup.com)

 **E-MAIL**  
[cs.ec@foagroup.com](mailto:cs.ec@foagroup.com)

    foagroup

 FurnitureOfAmerica

---

## CHECK BEFORE STARTING

**Are you missing anything?**  
Double-check all parts, hardware and accessories listed are all accounted for.

**Check out our Quick Tips!**  
We recommend reviewing the pre-assembly handouts. Even experts need a refresher now and then!

**Should we send any replacements?**  
Are there any irregularities or flaws in the parts? We can send replacements!

**Prep Time!**  
Please review the assembly instructions and all diagrams prior to assembling.

# PRE ASSEMBLY INTRODUCTION

We understand building ready-to-assemble furniture can be a challenging experience for some. To help avoid confusion, we have provided some helpful tips that may speed up the process.



## Teamwork

ALWAYS have at least two people to help with transporting and assembling the product to avoid potential injury and/or damage.



## Suitable Location

Assembling near the area of the intended location is highly recommended.



## Sufficient Space

Make sure you have enough space to move around during the assembly.



## Avoid Scratches

Use cardboard, blankets or a carpeted area while assembling furniture to prevent to prevent scratches and damages.



## Flat Surface

Make sure the furniture rests on a flat and level surface with each leg evenly touching the floor.

# ASSEMBLY AND CARE ADVICE



**FAILURE TO FOLLOW THE GUIDELINES BELOW MAY RESULT IN INJURY AND/OR PROPERTY DAMAGE.**



Position each part correctly and insert screws or bolts into their respective holes.



Turn clockwise to tighten and only tighten when step is completed or when instructed to do so.



Use the appropriate hand tools or power tools for assembly. Select steps, such as tightening screws and/or bolts, may require hand tools to avoid causing damage during assembly.



Save the instructions and store any supplied tools for later maintenance.



After two weeks, check and tighten any loose hardware and repeat again every six months thereafter.

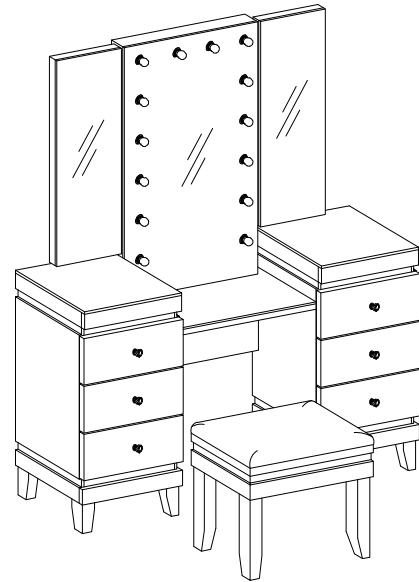
**IT IS THE USER'S RESPONSIBILITY TO MAINTAIN THE FURNITURE. THE HARDWARE MAY LOOSEN OVER TIME AND MAY CAUSE THE FURNITURE TO BE WOBBLY AND UNABLE TO SUPPORT ITS INTENDED WEIGHT CAPACITY. THIS MAY LEAD TO COLLAPSE AND MAY CAUSE SERIOUS INJURY.**

# VANITY SET

CM-DK824



- Please keep instructions for future reference.
- Check the quantity and irregularity of parts and hardware before you start.



## PARTS

#1 1pc



Bottom Cabinet Left

#2 1pc



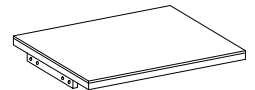
Bottom Cabinet Right

#3 8pcs



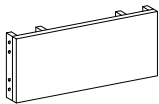
Bottom Cabinet Leg

#4 1pc



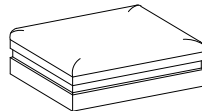
Middle panel

#5 1pc



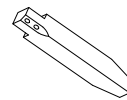
Back plate

#6 1pc



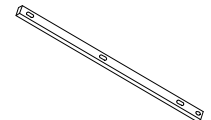
Stool Seat

#7 4pcs



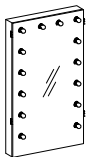
Stool Leg

#8 2pcs



Mirror support rail

#9 1pc



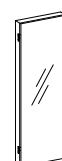
Middle mirror

#10 1pc



Left mirror

#11 1pc



Right mirror

## HARDWARE

#A 16pcs



Bolt Ø1/4" x 1-1/2"

#B 24pcs



Bolt Ø1/4" x 2"

#C 40pcs



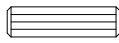
Lock washer 1/4"

#D 40pcs



Washer  
Ø5/16" x 19mm

#E 8pcs



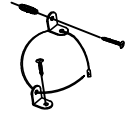
Wood Dowel  
Ø8 x 20mm

#F 1pc

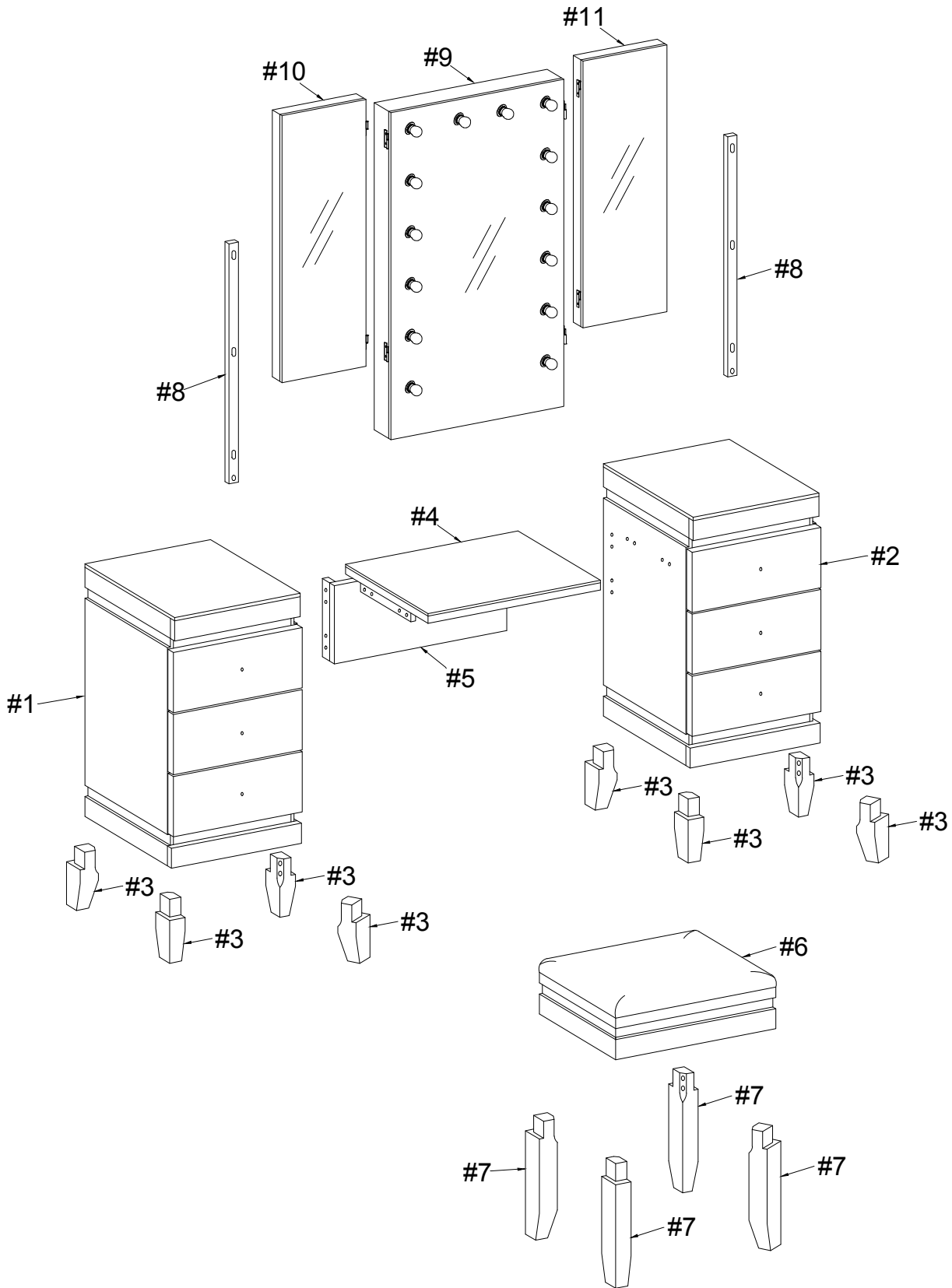


Allen Wrench  
4mm









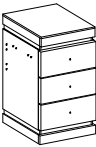
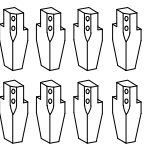
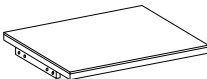
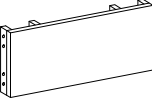
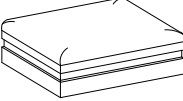
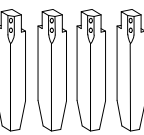
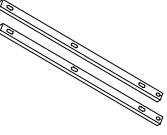
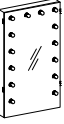


#G 1set



Anti-tip Skit



# CM-DK824 is packed in 2 cases

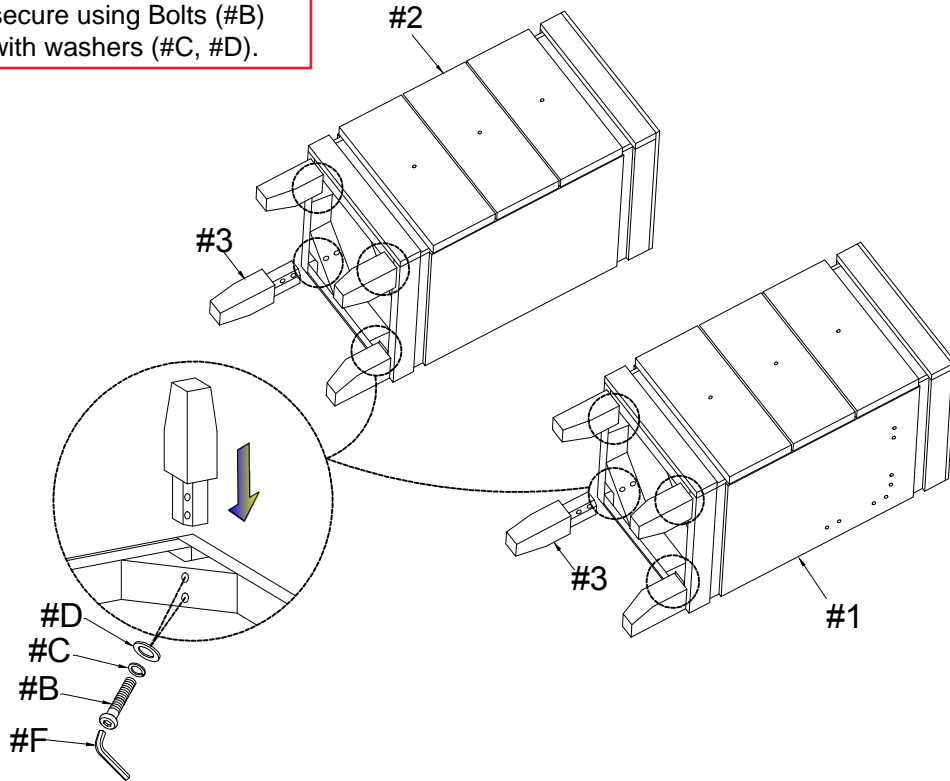
Carton	Disignation	Part	Hardware
CM-DK824-1	Bottom cabinet Left	#1 	 #A x 16pcs  #B x 24pcs  #C x 40pcs  #D x 40pcs  #E x 8pcs  #F x 1pc  #G x 1set
	Bottom cabinet Right	#2 	
	Bottom cabinet Leg(8pcs)	#3 	
	Middle panel	#4 	
	Back plate	#5 	
	Stool Seat	#6 	
	Stool Let (4pcs)	#7 	
CM-DK824-2	Mirror support rail	#8 	
	Middle mirror	#9 	
	Left mirror	#10 	
	Right mirror	#11 	

# ASSEMBLY INSTRUCTIONS

## 1

- Part #1 x1pc
- Part #2 x1pc
- Part #3 x8pcs
- Hardware #B x16pcs
- Hardware #C x16pcs
- Hardware #D x16pcs

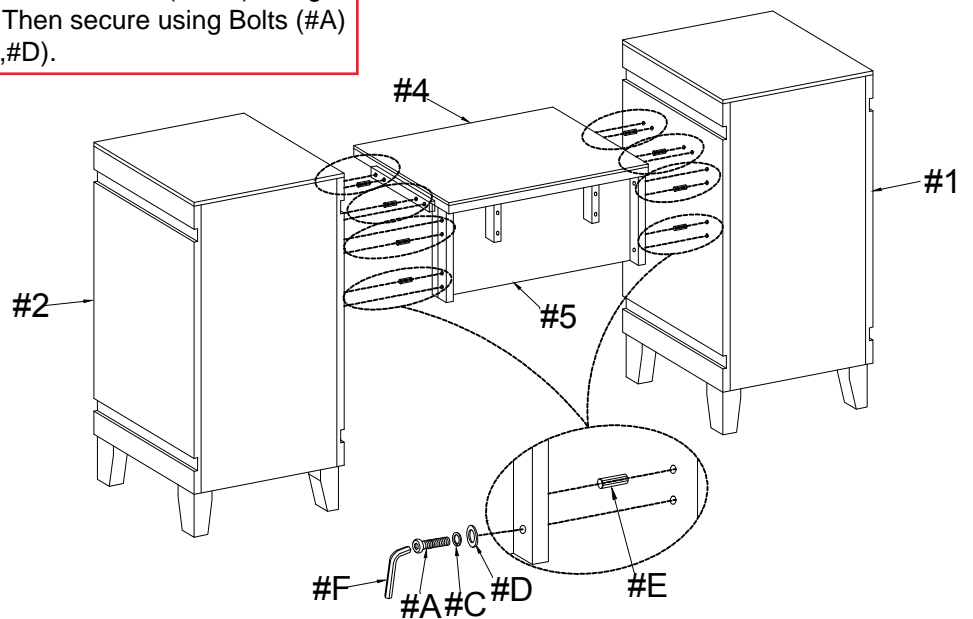
Insert the Bottom Cabinet Leg into the Left/Right Cabinet (#1,#2) and secure using Bolts (#B) with washers (#C, #D).



## 2

- Part #4 x1pc
- Part #5 x1pc
- Hardware #A x8pcs
- Hardware #C x8pcs
- Hardware #D x8pcs
- Hardware #E x8pcs

Align the Middle panel (#4) to the back plate (#5). Then align the assembly between the Bottom Right and Left Cabinets (#1,#2) using wood dowel (#E). Then secure using Bolts (#A) with Washers (#C,#D).



# ASSEMBLY INSTRUCTIONS

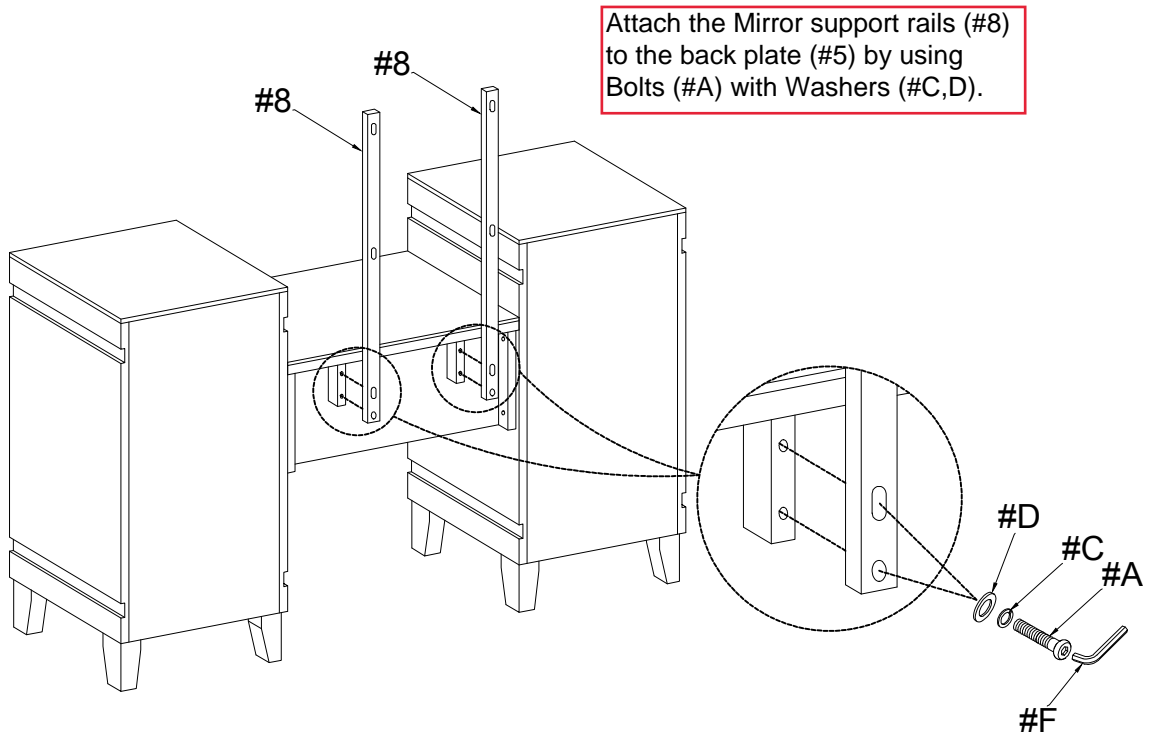
## 3

Part #8 x2pcs

Hardware #A x4pcs

Hardware #C x4pcs

Hardware #D x4pcs



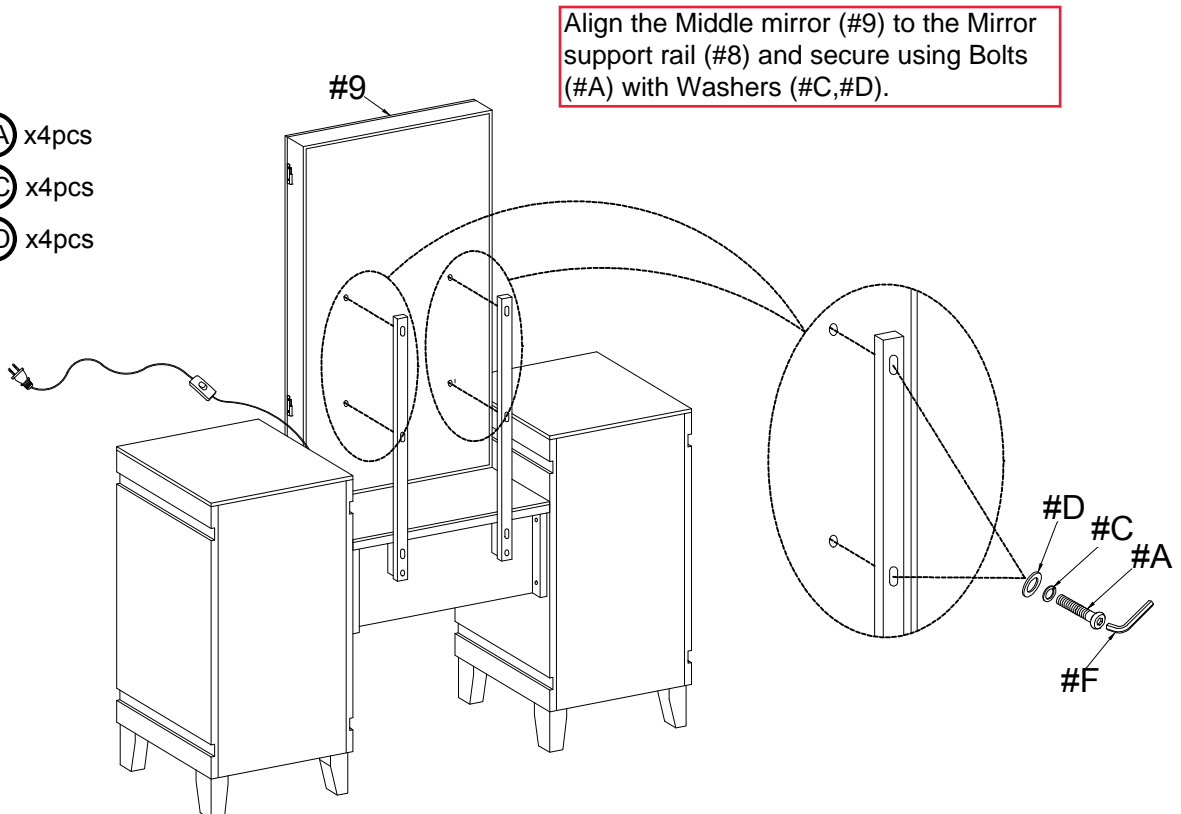
## 4

Part #9 x1pc

Hardware #A x4pcs

Hardware #C x4pcs

Hardware #D x4pcs



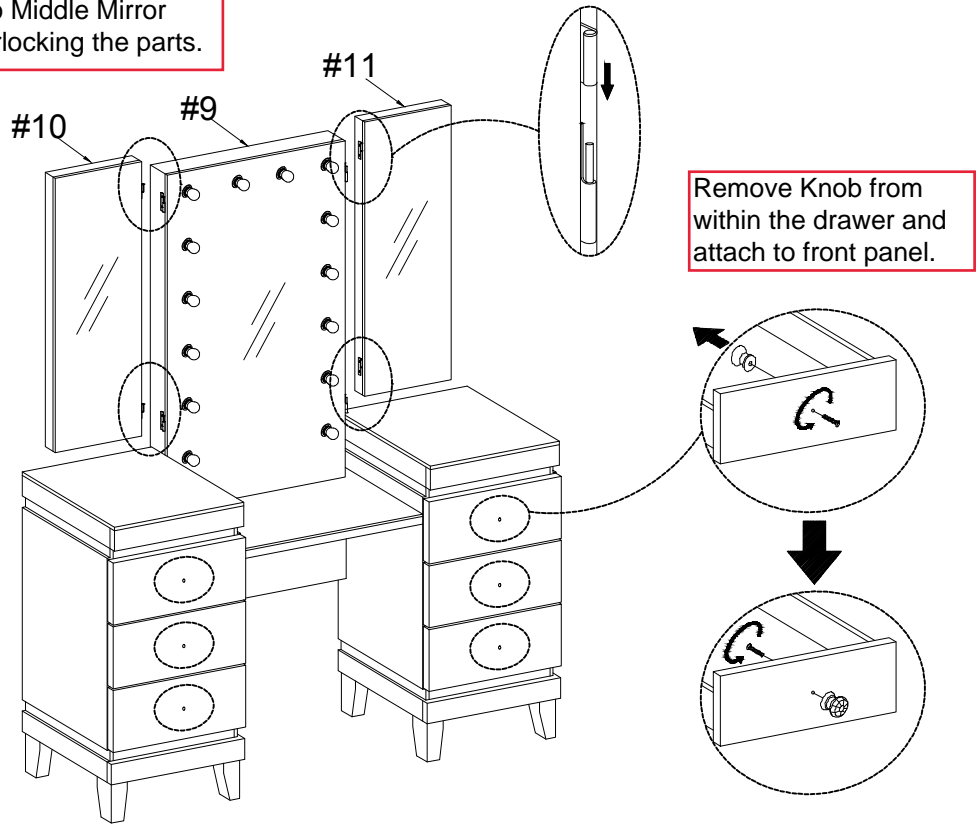
# ASSEMBLY INSTRUCTIONS

5

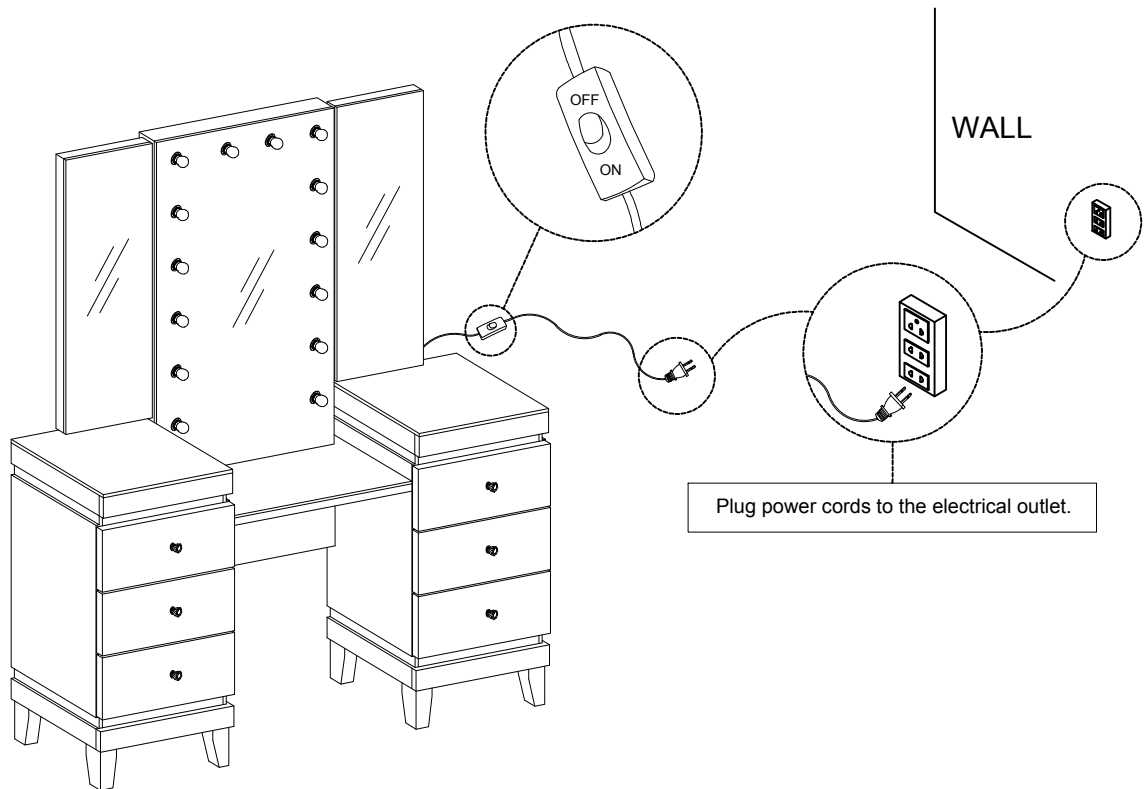
Attach Left and Right Mirror (#10,#11) to Middle Mirror (#9) by interlocking the parts.

Part #10 x1pc

Part #11 x1pc



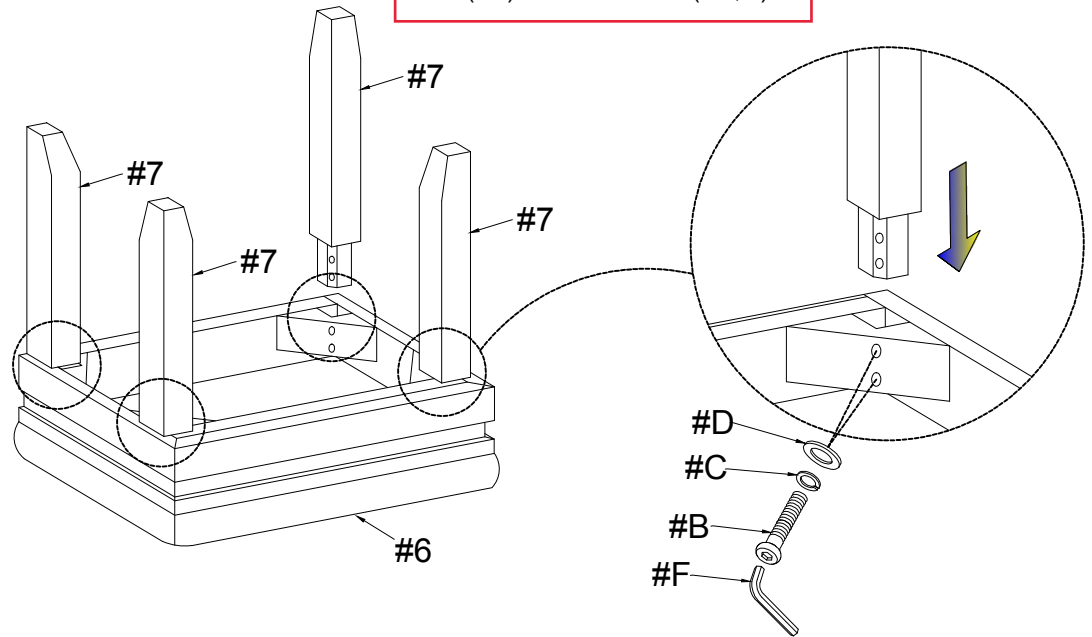
6



# ASSEMBLY INSTRUCTIONS

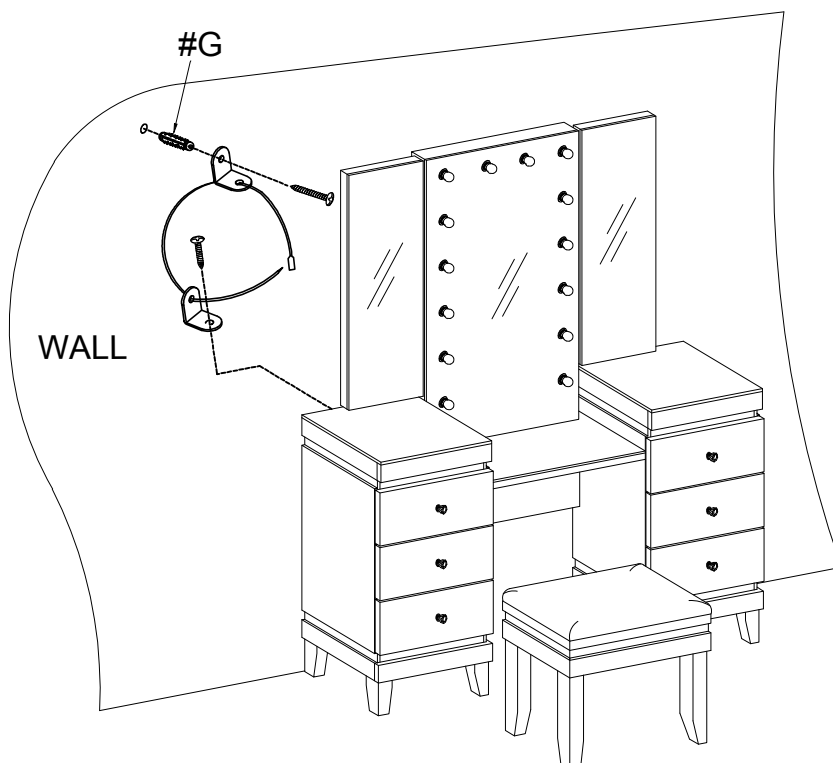
## 7

- Part #6 x1pc
- Part #7 x4pcs
- Hardware #B x8pcs
- Hardware #C x8pcs
- Hardware #D x8pcs



## 8

- Hardware #G x1set



## ASSEMBLY COMPLETED



Please ensure the furniture rests on an even and flat surface. If the product wobbles or feels loose, double-check all bolts and/or screws are properly tightened and secured.



### Keep this handy!

Please retain this instruction manual and any order-related information for future reference.



### Lift, don't drag!

To avoid damage to product please always LIFT the product when transporting or adjusting the placement.

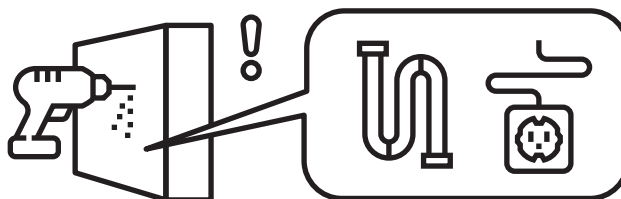
# ASSEMBLY INSTRUCTIONS

## Wall Mounting and Fixing



### EXPANSION WALL ANCHOR

Our provided expansion wall anchors are only suitable for masonry walls, such as drywall, plaster or concrete, and are best for holding lightweight items or for anti-tip prevention. If you are unsure of the correct wall anchor to use with the product, please request professional guidance. Liability for product damage or failure due to using the incorrect anchors will fall on the installer.

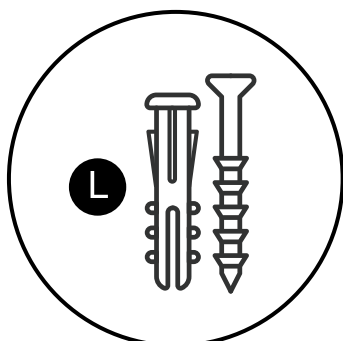


### CHECK BEFORE PROCEEDING

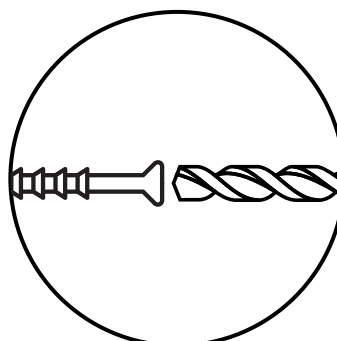
Prior to drilling or hammering, please check for wires or pipes. We recommend using a stud finder to locate a stud, which will offer more appropriate resistance and hold more weight.

## QUICK TIPS

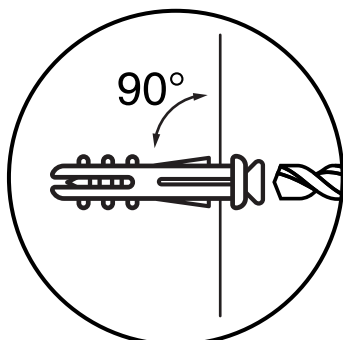
1. If unsure of the proper size, always choose a larger screw and wall anchor.



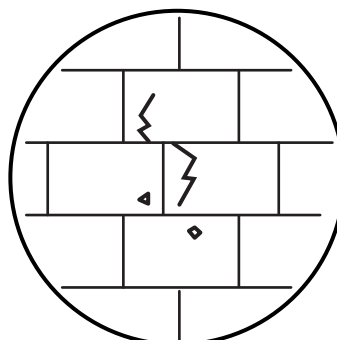
2. Match the drill bit to the wall anchor and hole size.



3. Only drill horizontally. Do not force the drill or enlarge the hole for the wall anchor.



4. Take extra care when drilling into high walls or ceramic tiles. Wall anchors should be a tight fit for the hole. Never use wall anchors in ceilings.



### MAINTENANCE



We recommend a yearly check to see if the wall anchor or screw has loosened. If so, please remove the existing wall anchor and screw, and use a new anchor.