

Assembly Instructions

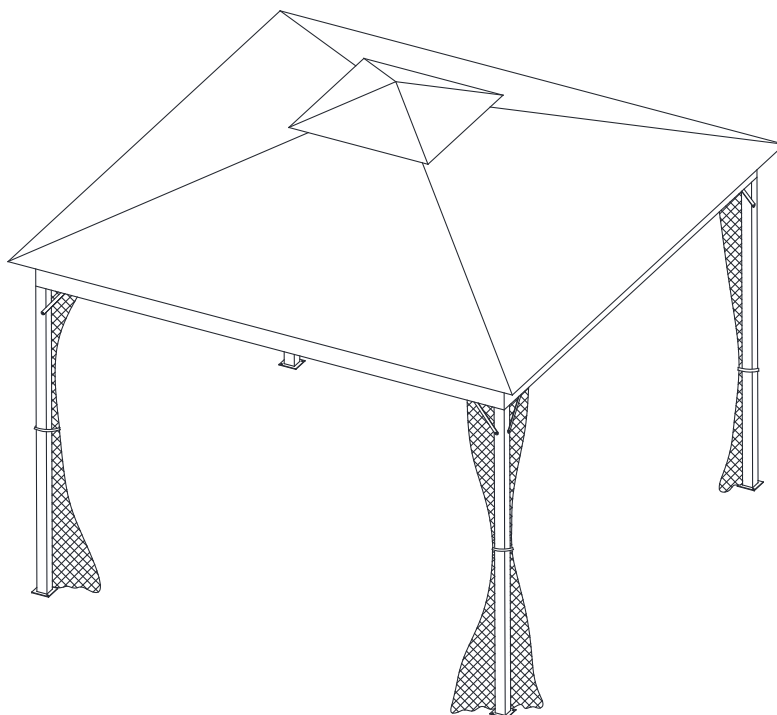
GAZ2137

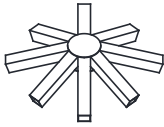



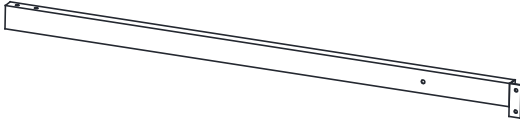
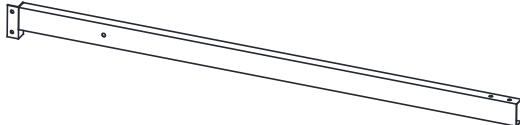


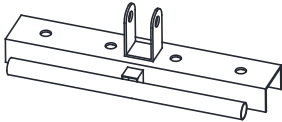




Caution: Please read this before you proceed with assembly.


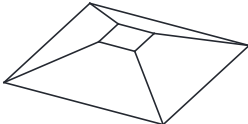
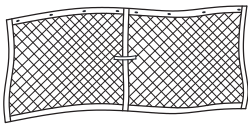



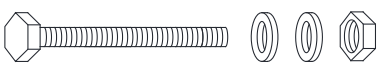






Read all instructions before assembling and using this product

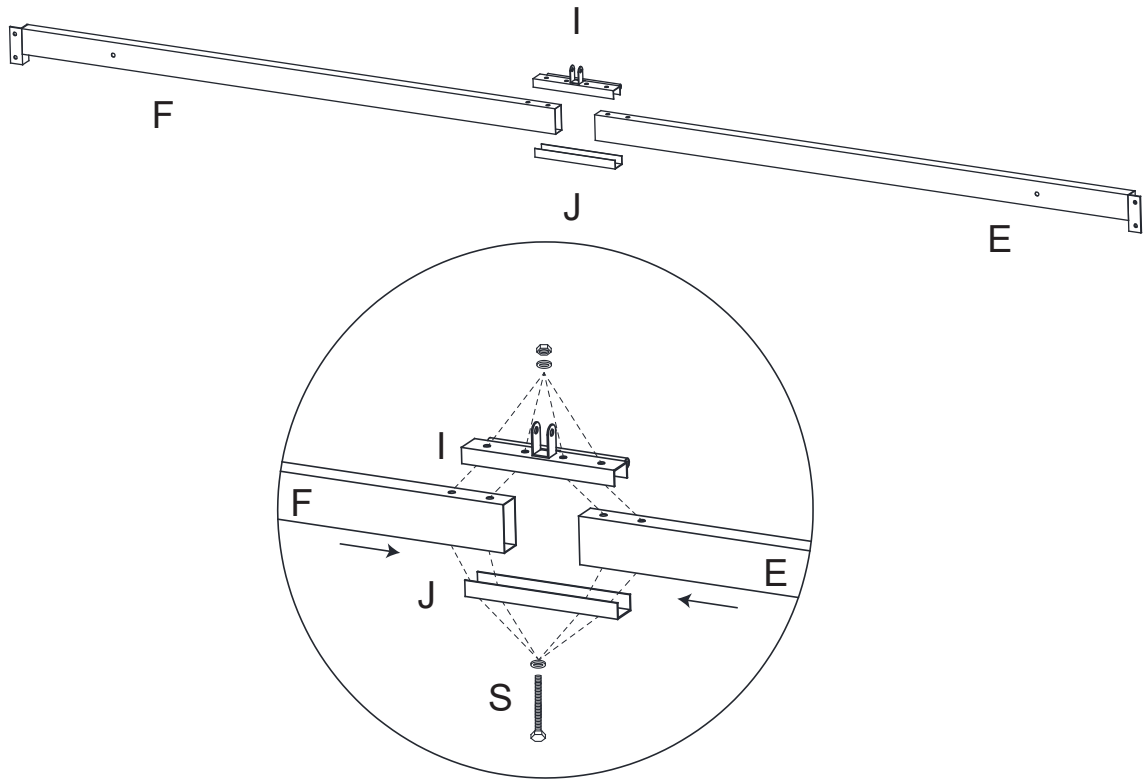
1. Select ideal location. Set out all parts on a clear and level surface prior to assembly. Ideally, the Gazebo should be set up in the desired location to avoid moving it after assembly.
2. Team Work. We recommend 3 adults and it may require 1 hour to fully assemble the Gazebo. If possible, please use safety ladders.
3. Use caution during the entire assembly process, especially when lifting large and heavy items. Also, use all safety precautions when using ladders. Keep children away from the assembly area.
4. Check all available parts. Before assembling the gazebo, check to make sure you have all the parts listed in the Parts List.
5. Important! Before attaching the canopy, make sure ALL BOLTS are tightened securely.
6. During assembly keep children away from the work area and the parts and tools. Once assembled, do not allow children to climb on the gazebo.
7. It is recommended that the Canopy, Sidewalls and Mosquito Netting be removed during strong winds and stormy conditions.
8. Do not set this gazebo up near electric lines, trees or slanted roofs. Use safety precautions at all times.

Gazebo

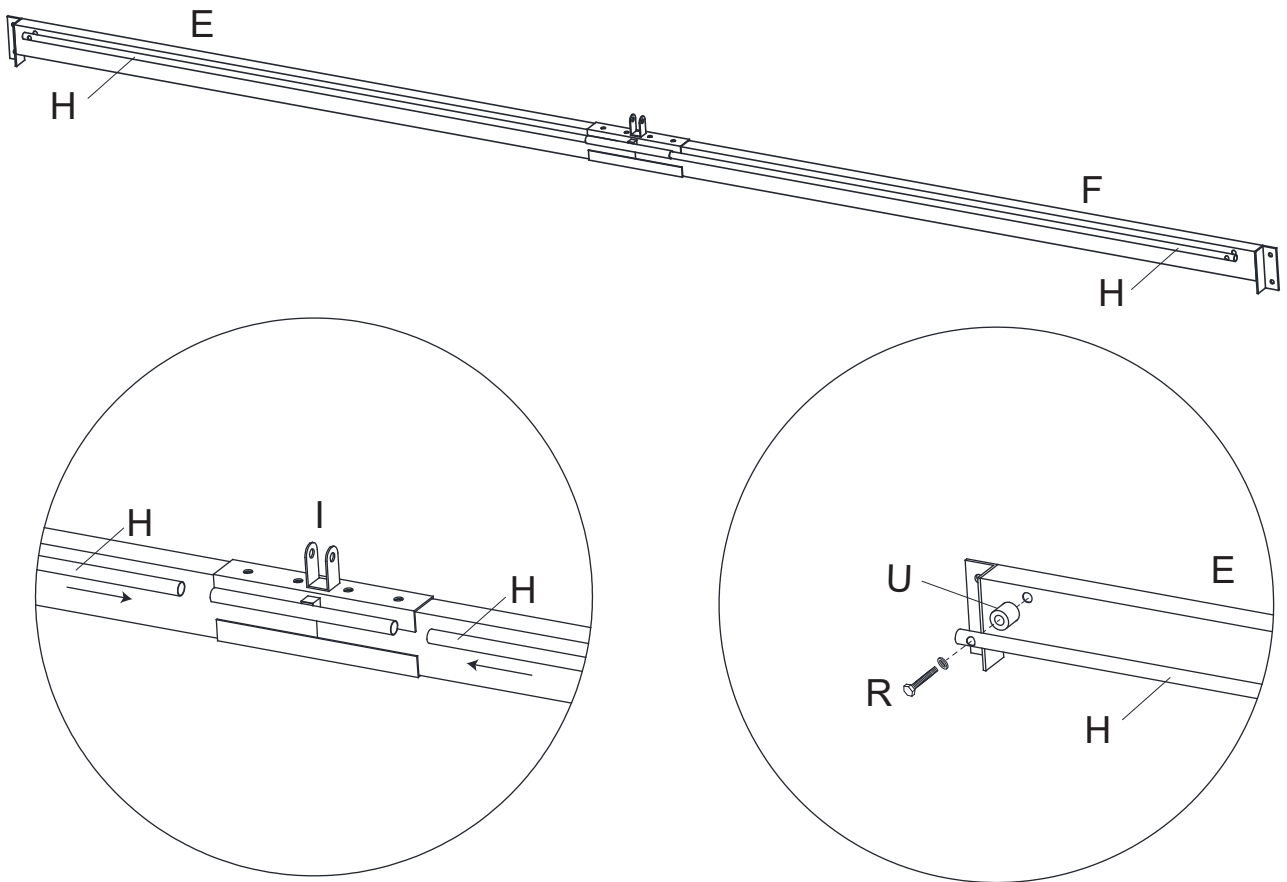


ITEM	DESCRIPTION	QTY.	ILLUSTRATION
A	Center Connector	1	
B	Long Top Bar Tube	4	
C	Long Support Connecting Tube	4	
D	Short Top Bar Tube	4	
E	Right Crossbeam	4	
F	Left Crossbeam	4	
G	Post	4	
H	Mosquito Net Rod	8	
I	Upper Connector	4	
J	Lower Connector	4	
K	Bracing	8	
L	U-shape Connector	4	
Z	Hook	1	

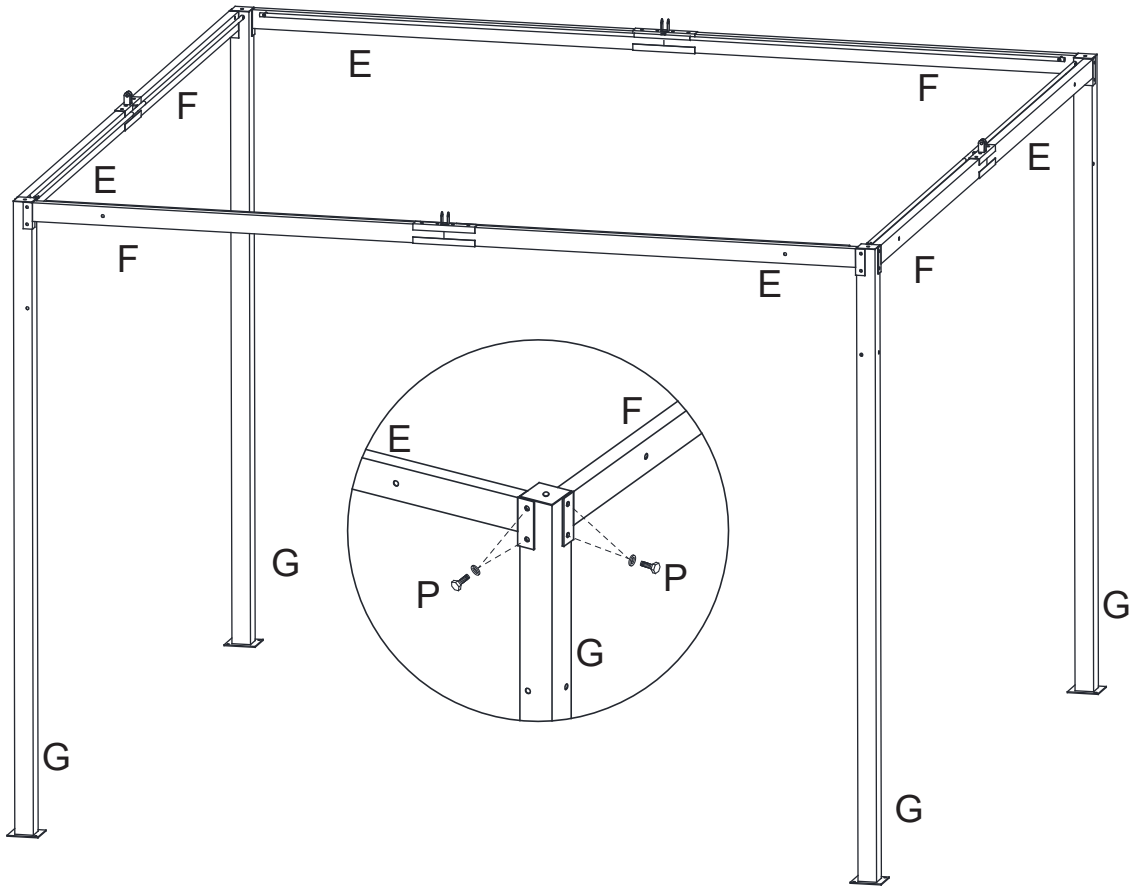
ITEM	DESCRIPTION	QTY.	ILLUSTRATION
M	Small Canopy	1	
N	Big Canopy	1	
O	Mosquito Net	4	
P	Bolt \Flat Washer M6*15mm	32	
Q	Bolt \Flat Washer\ Nut M6*32mm	8	
R	Bolt \Flat Washer M6*32mm	8	
S	Bolt \Flat Washer\ Nut M6*72mm	16	
T	Bolt \Flat Washer M6*15mm	4	
U	Plastic Washer	8	
V	Ring	32	
W	Wrench	2	
X	Allen Wrench	1	
Y	Stake	8	



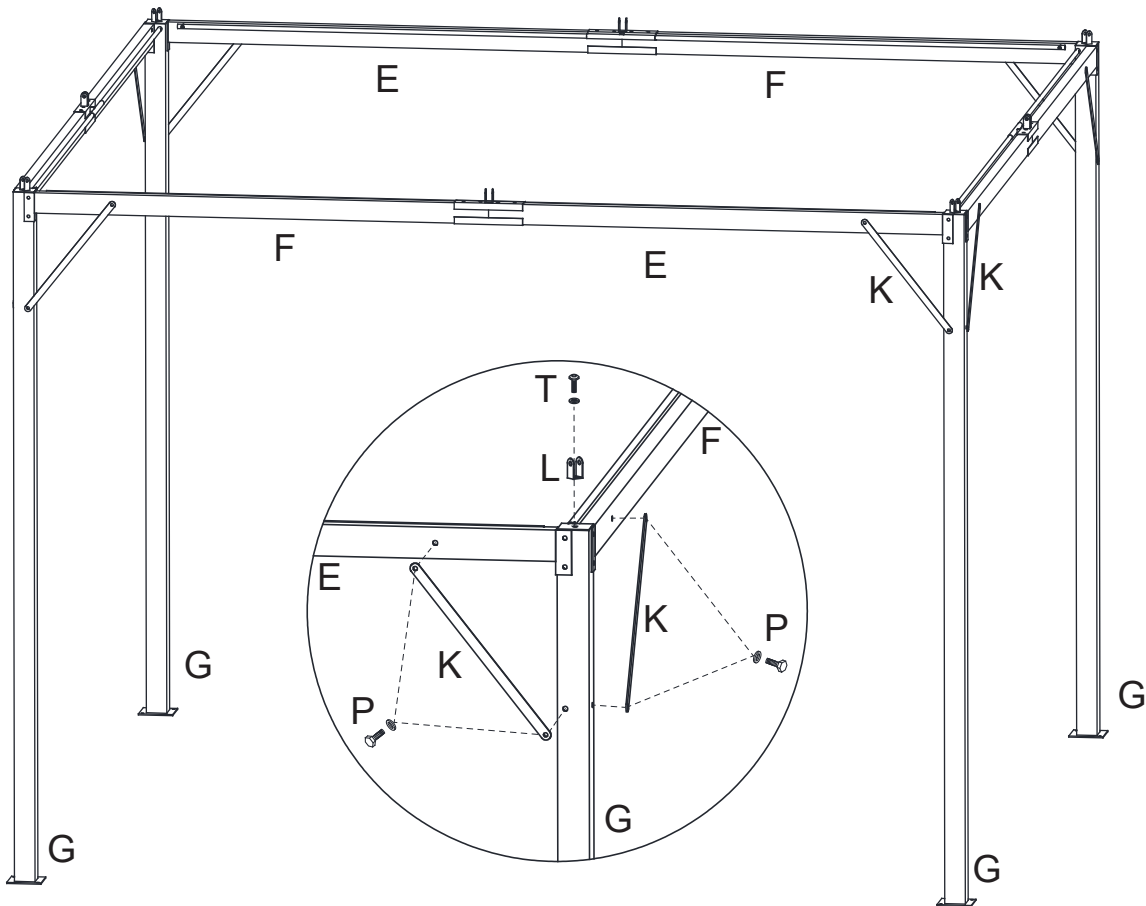
1. Connect the Crossbeams (E/F) and the Connectors (I/J) by bolt (S).



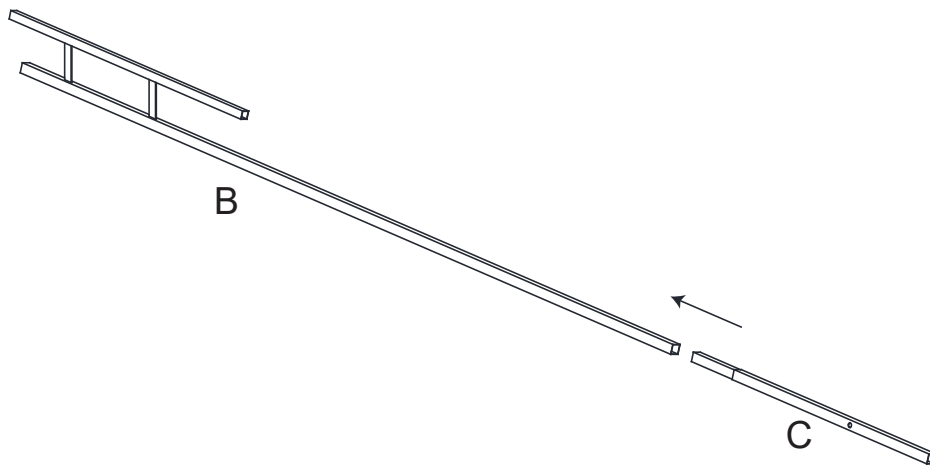
2. Insert the Mosquito Net Rod (H) into the Upper Connector (I) and then have it secured onto the crossbeam by bolt (R).



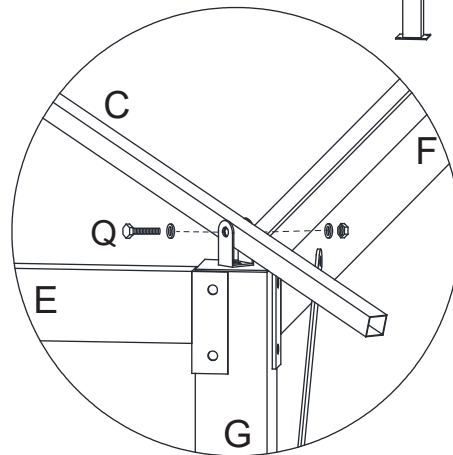
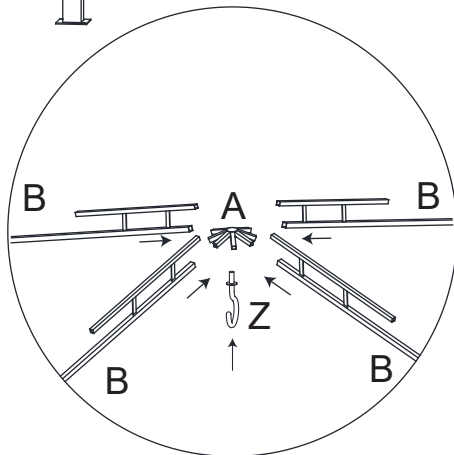
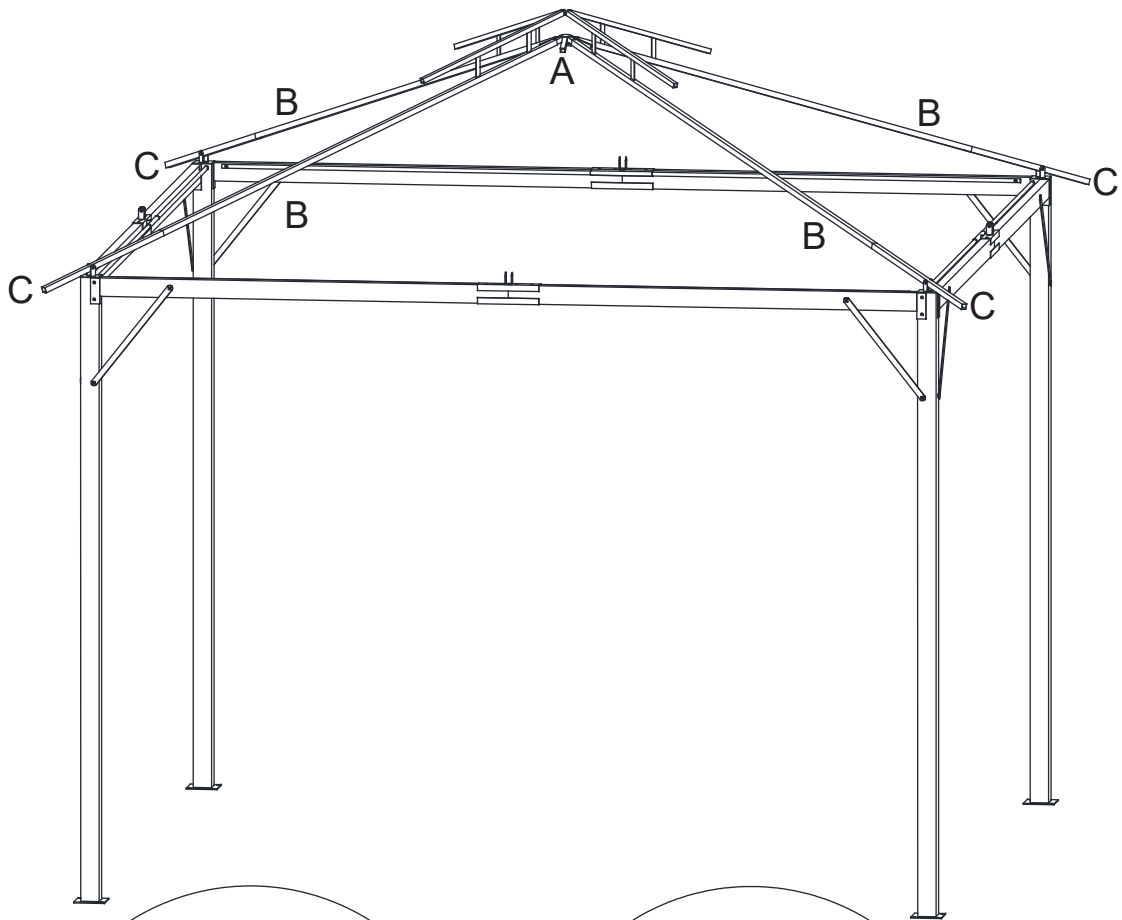
3. Connect the Crossbeams (E/F) and the Post (G) by bolt (P).



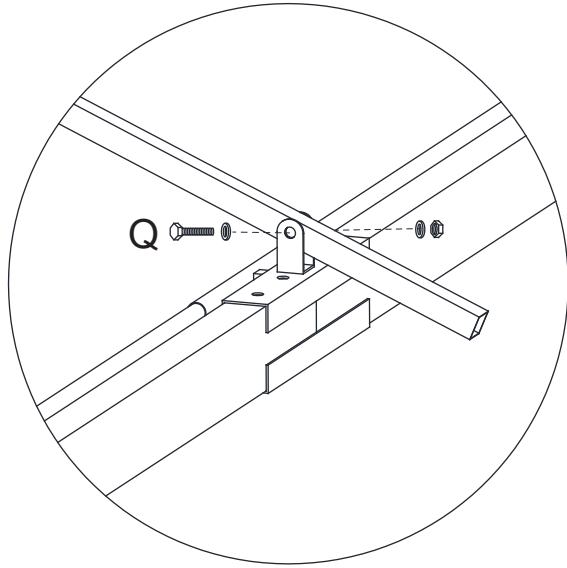
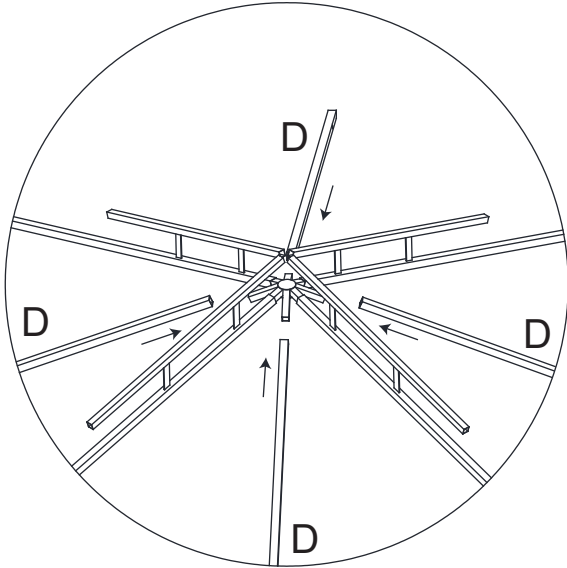
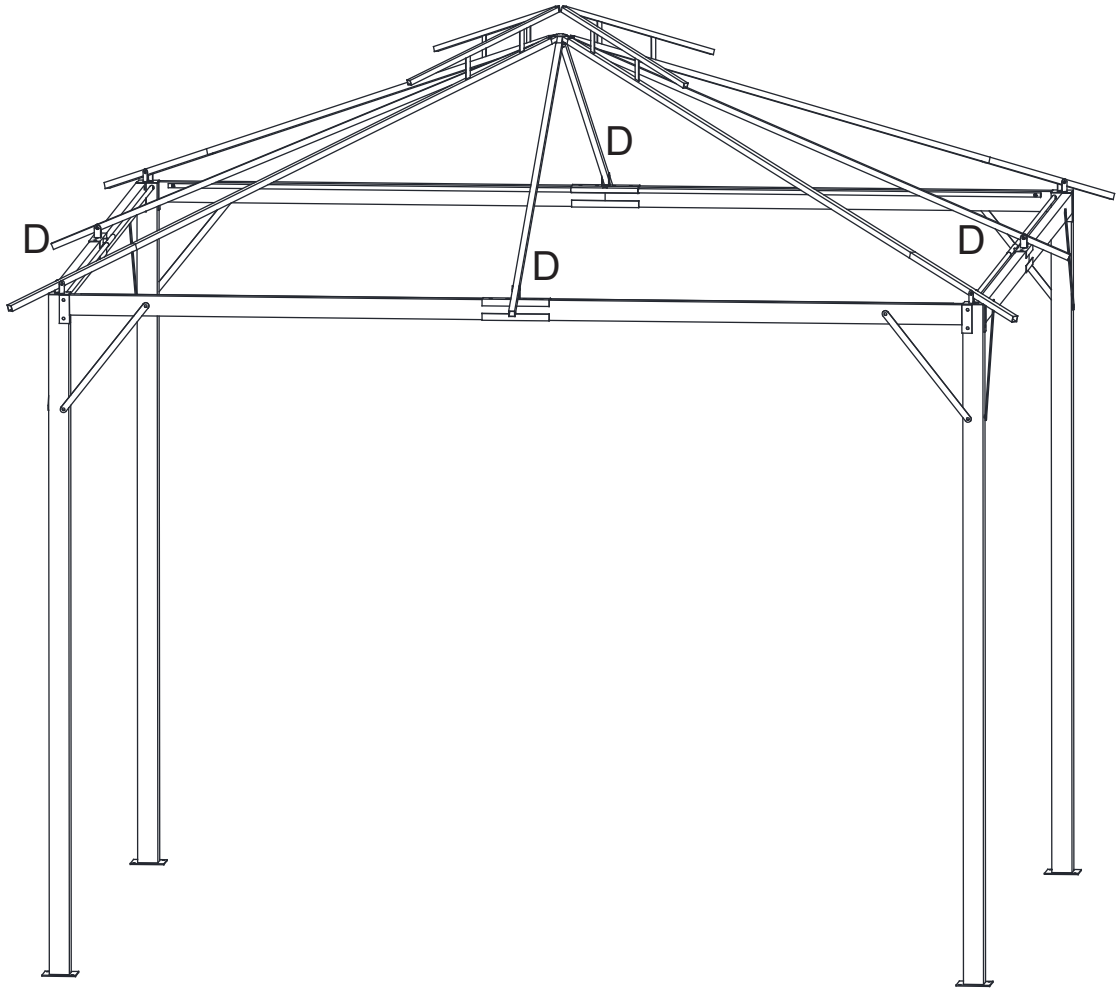
4. Connect the Bracing (K) with the Post (G) and the Crossbeams (E/F) by bolt (P), connect the U-shape Connector (L) with the Post (G) by bolt (T).



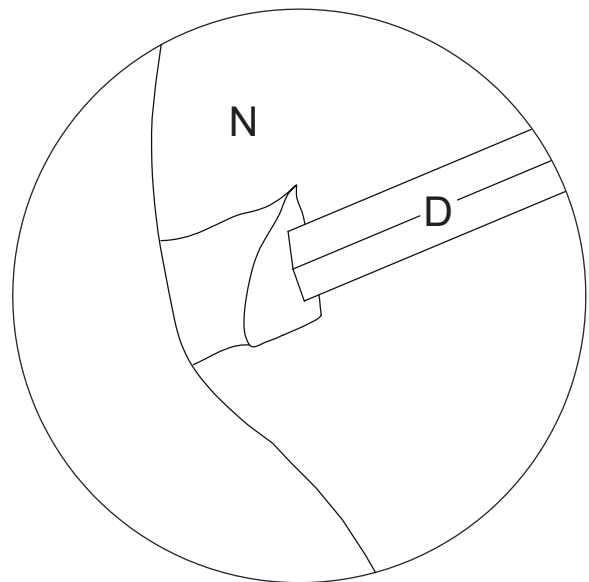
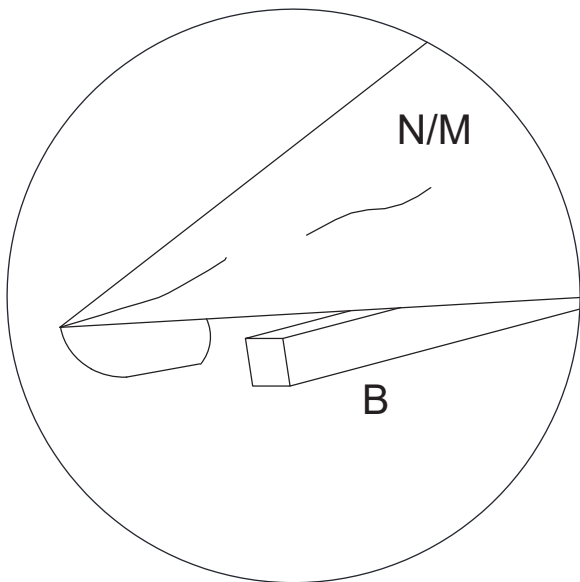
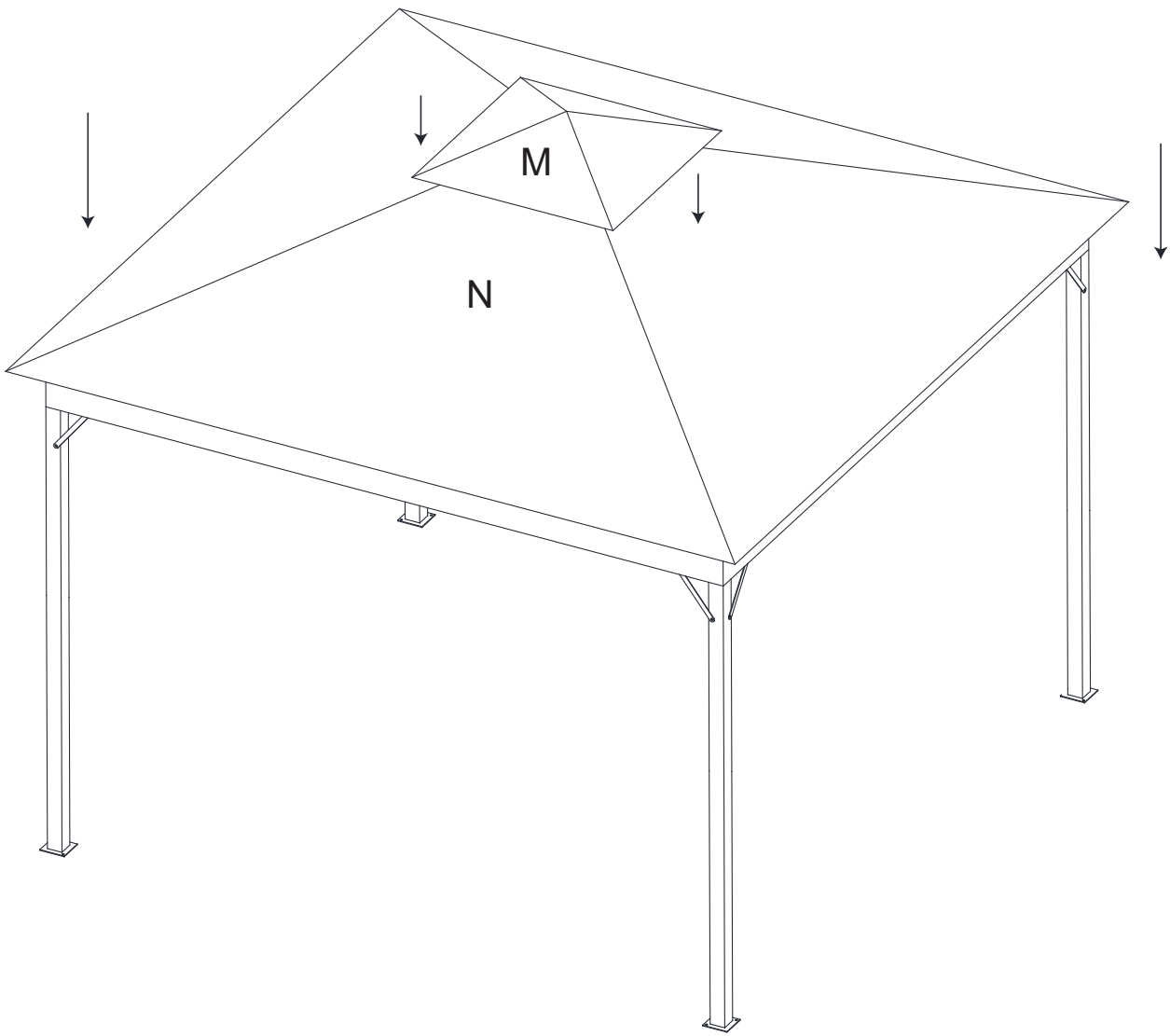
5. Insert the Long Support Connecting Tube (C) into the Long Top Bar Tube (B).



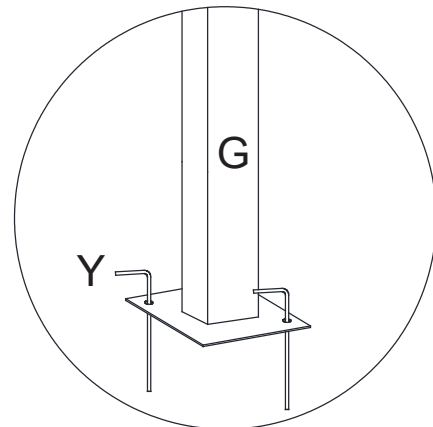
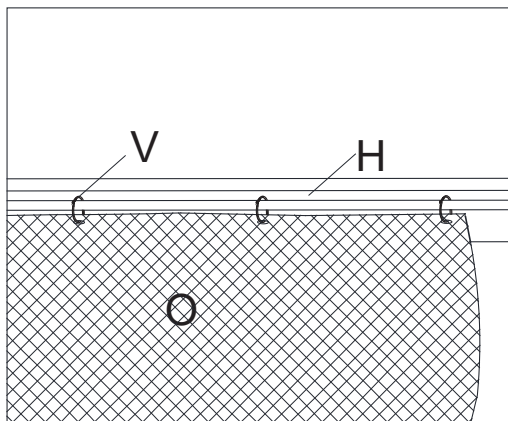
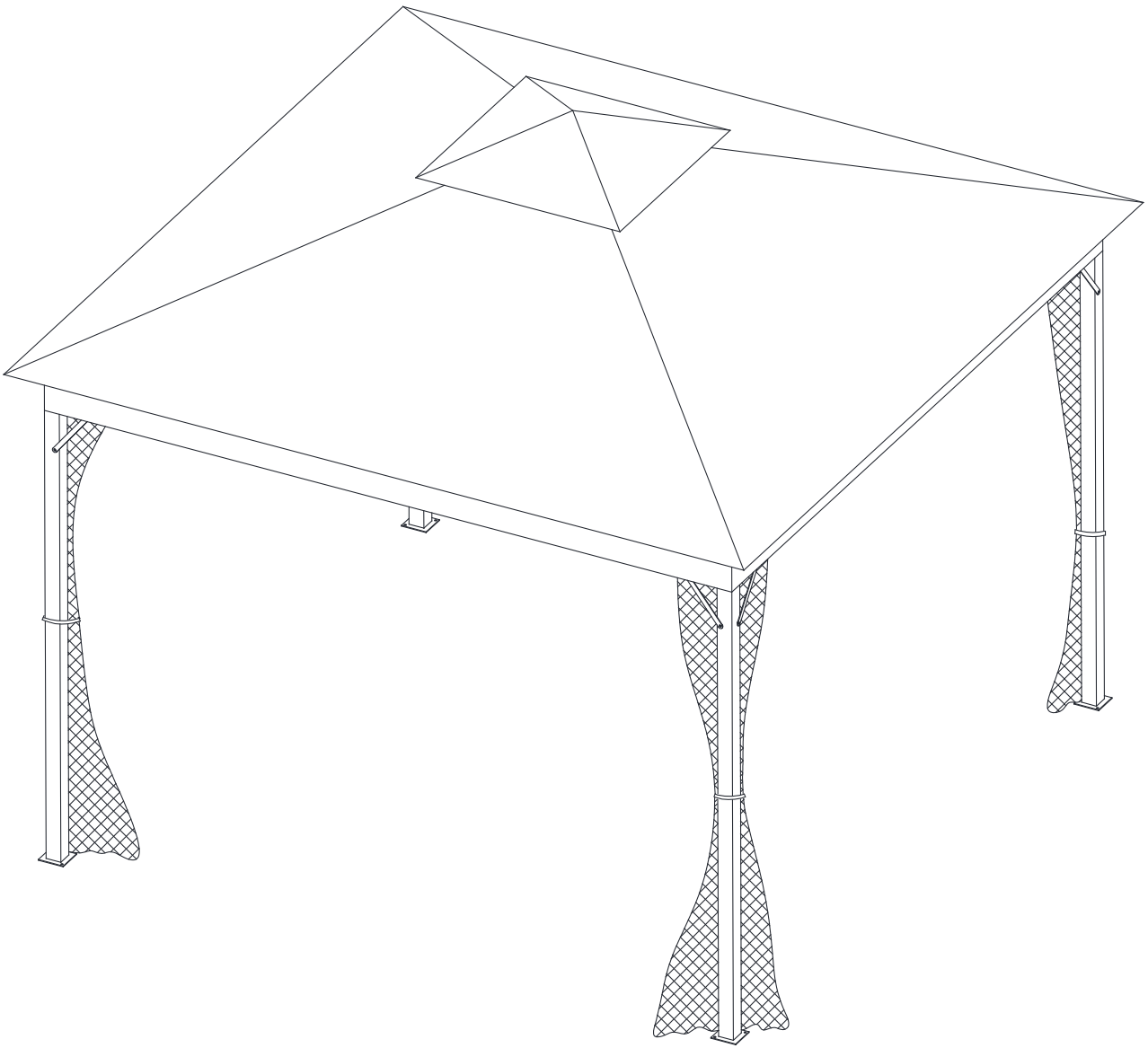
6. Insert the Long Top Bar Tube (B) into the Center Connector (A), connect the Long Support Connecting Tube (C) and the U-Shape Connector (L) by bolt (Q), then install the Hook (Z) into the Center Connector (A).



7. Insert the Short Top Bar Tube into the Center Connector (A), secure the Long Support Connecting Tube (C) onto the Upper Connector (I) by bolt (Q).



8. Cover the Big Canopy (N) and Small Canopy (M) onto the roof structure.



9. Hang the Mosquito Net (O) onto the Mosquito Net Rod (H) by the Ring (V), then secure the posts onto the ground by the Stake (Y).