

ASSEMBLY INSTRUCTIONS



Fine Furniture for every stage of life

Power Lift Recliner

ASSEMBLY INSTRUCTIONS

ASSEMBLY TIPS:

- 1.Remove hardware from box and sort by size.
- 2.Please check to see that all hardware and parts are present prior to start of assembly.
- 3.Please follow attached instructions in the same sequence as numbered to assure fast & easy assembly.



WARNING

- 1.Don't attempt to repair or modify parts that are broken or defective. Please contact the store immediately.
- 2.This product is for home use only and not intended for commercial establishments.



ASSEMBLY TIME

5 MINUTES

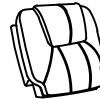
PARTS IDENTIFICATION

A SEAT



1PC

B BACK



1PC

CF MOTOR CABLE



1PC

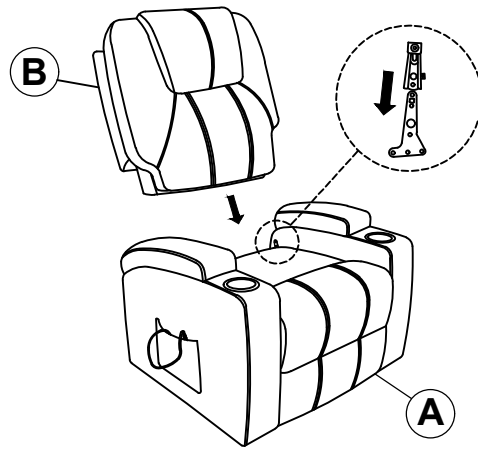
E ADAPTER



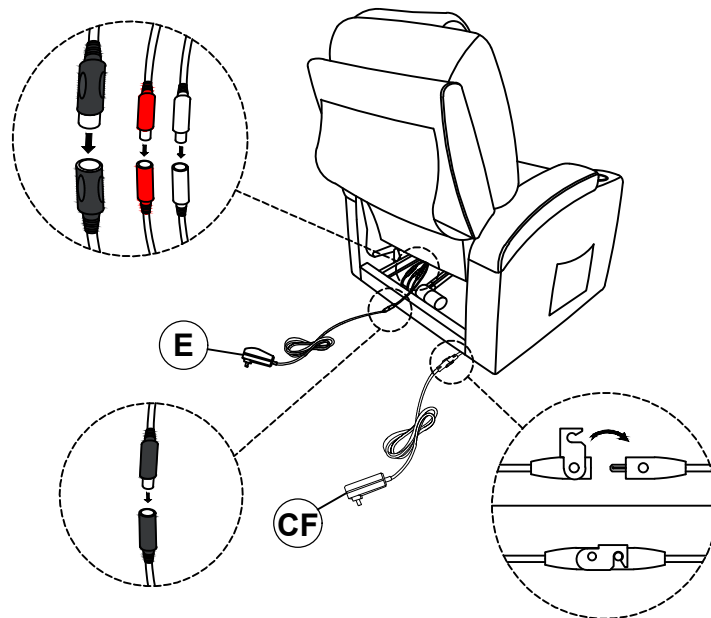
1PC

ASSEMBLY INSTRUCTIONS

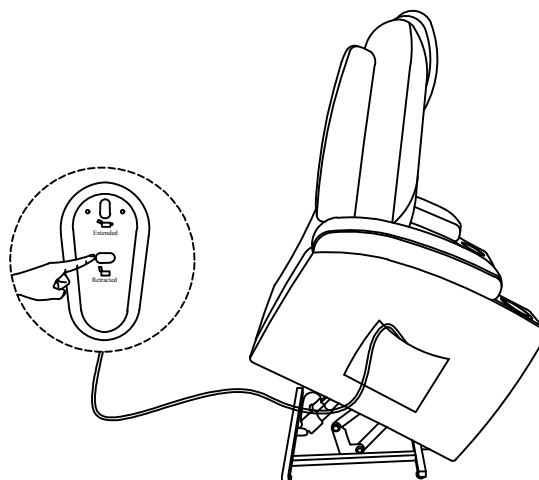
STEP 1



STEP 2

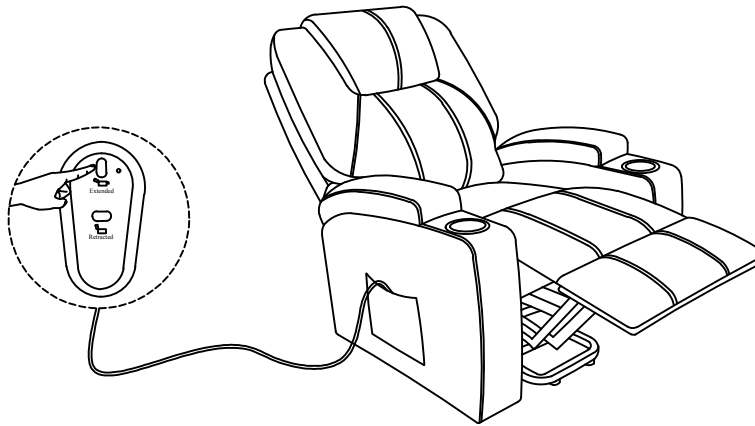


STEP 3



ASSEMBLY INSTRUCTIONS

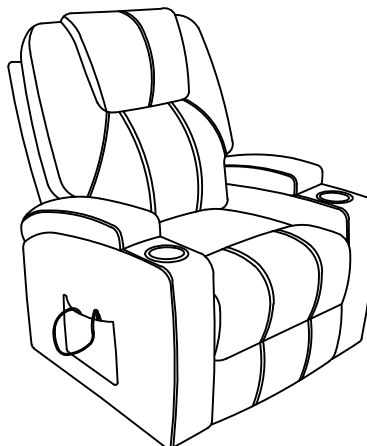
STEP 4

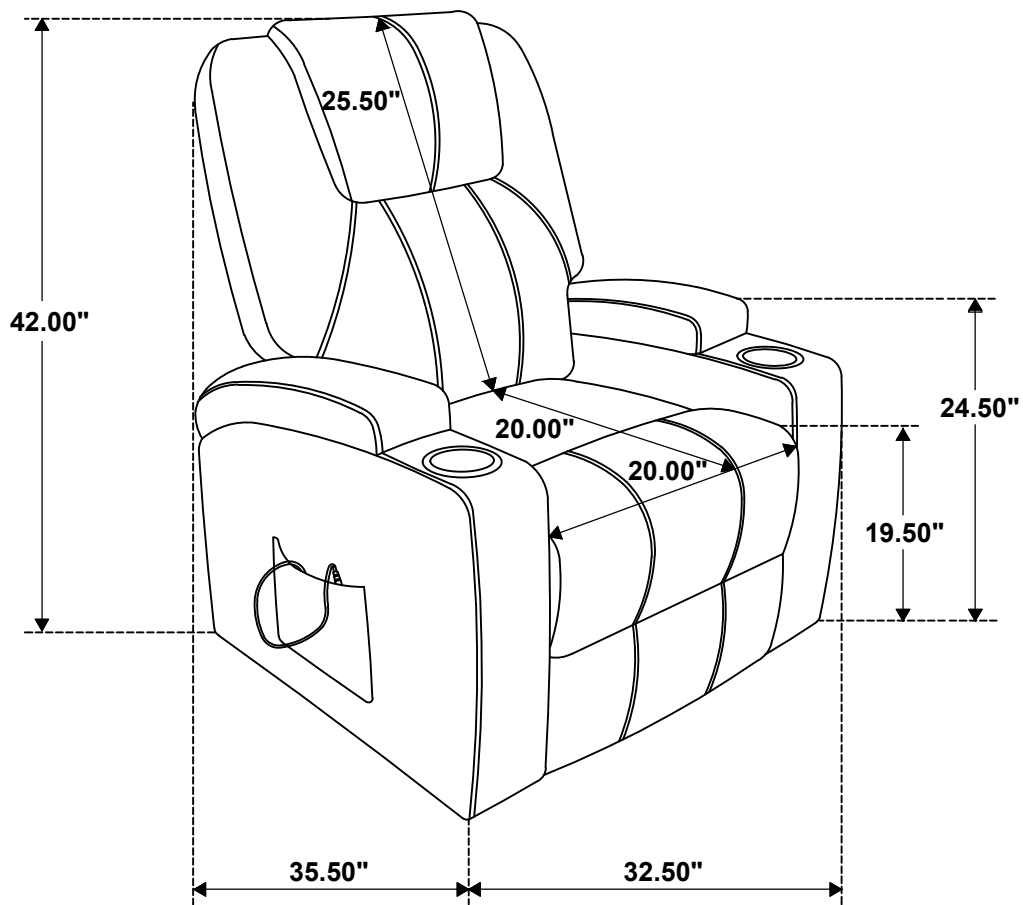


STEP 5



STEP 6 **COMPLETE**





Note: Dimension tolerance $\pm 5\%$