


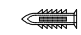




# ASSEMBLY INSTRUCTIONS

## 42" & 48"

- Please unpack all parts and check against parts list on this instruction sheet before discarding the packaging.
- **Note:** We recommend at least 2 people assist in installation to avoid injury or damage to the product.

| # | Part Description | Dimensions                                   |   | QTY    |
|---|------------------|--|---|--------|
| 1 | Floating Vanity  | 1067X533X610mm (42")<br>1220x533x610mm (48") |  | 1 pc.  |
| 2 | Wooden Hanger    | 220x50x20mm<br>(42" & 48")                   |  | 4 pcs. |
| 3 | Plywood Panel    | 1027x160x18mm (42")<br>1179x160x18mm (48")   |  | 1 pc.  |

| RTA Hardware |  |                         |         |
|--------------|--|-------------------------|---------|
| #            | Drawing  | Item                    | QTY     |
| A            |  | Plastic Anchor Ø14x47mm | 15 pcs. |
| B            |  | Long Screws Ø8x50mm     | 15 pcs. |
| C            |  | Short Screws Ø8x35mm    | 18 pcs. |

### Tools

- Screwdriver, Drill, Hammer ... ( not included )

## Assembly Instructions

### Step 1:

- Hold the plywood panel (3) against the wall and align the screw holes with your stud locations.
- Use a writing utensil to mark the locations.
- See Figure 1 for recommended mounting height.
- Drill at marked locations and tap plastic anchor (A) into hole until flush.
- Use long screws (B) and drive them through the plywood panel and into each anchor to secure.

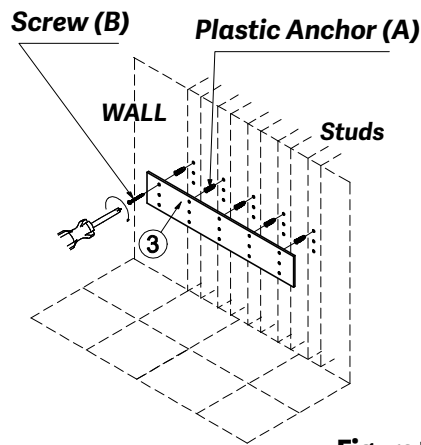
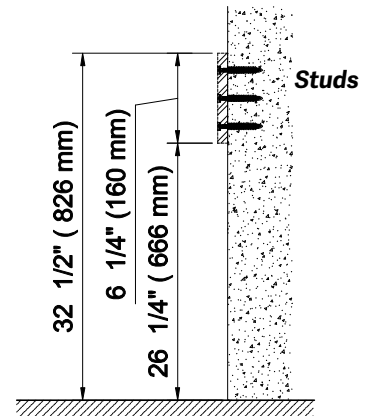


Figure 1



### Step 2:

- Use short screws (C) to attach the wooden hanger (2) to the plywood panel (3).
- Use Figure 2 as reference for mounting height.

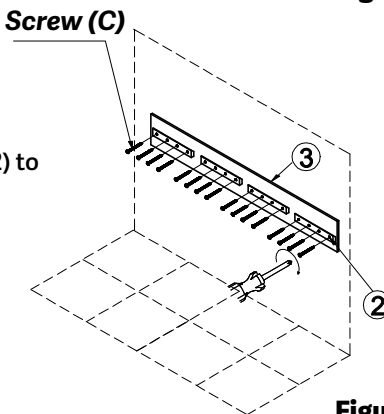
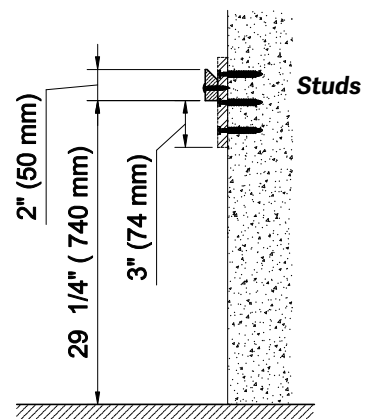


Figure 2



### Step 3:

- Hang the vanity (1) on the wooden hanger (2).
- Use Figure 3 as reference for recommended final mounted height.

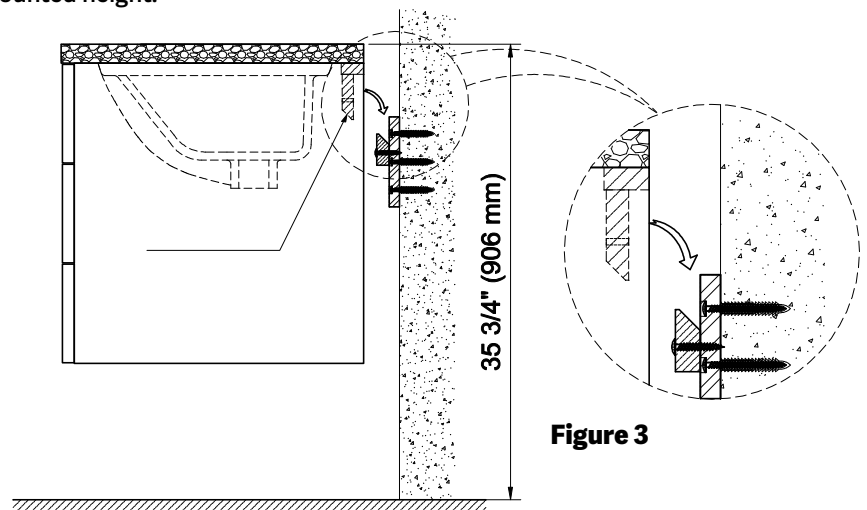
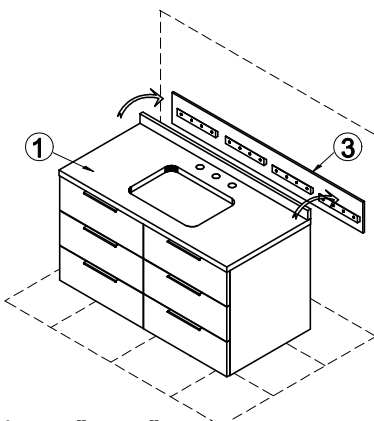


Figure 3

Vanities 30" & 36"

# ASSEMBLY INSTRUCTIONS

## 42" & 48"

### Step 4:

- Remove the middle drawers by pulling on the drawer, and pushing the locking device at the same time. See Figure 4.

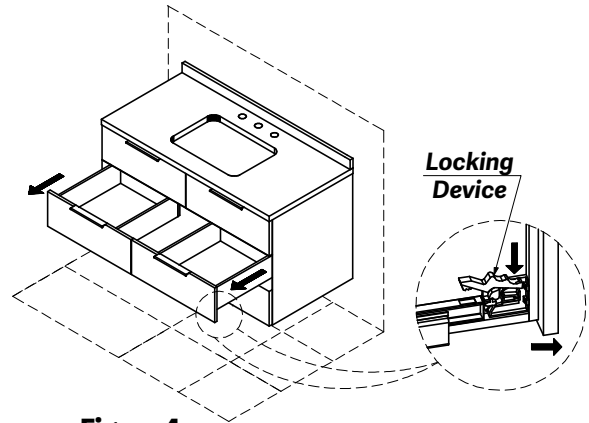


Figure 4

### Step 5:

- Drive short screws (C) through the two holes located on the Vanity Hanging Rail. See Figure 5.

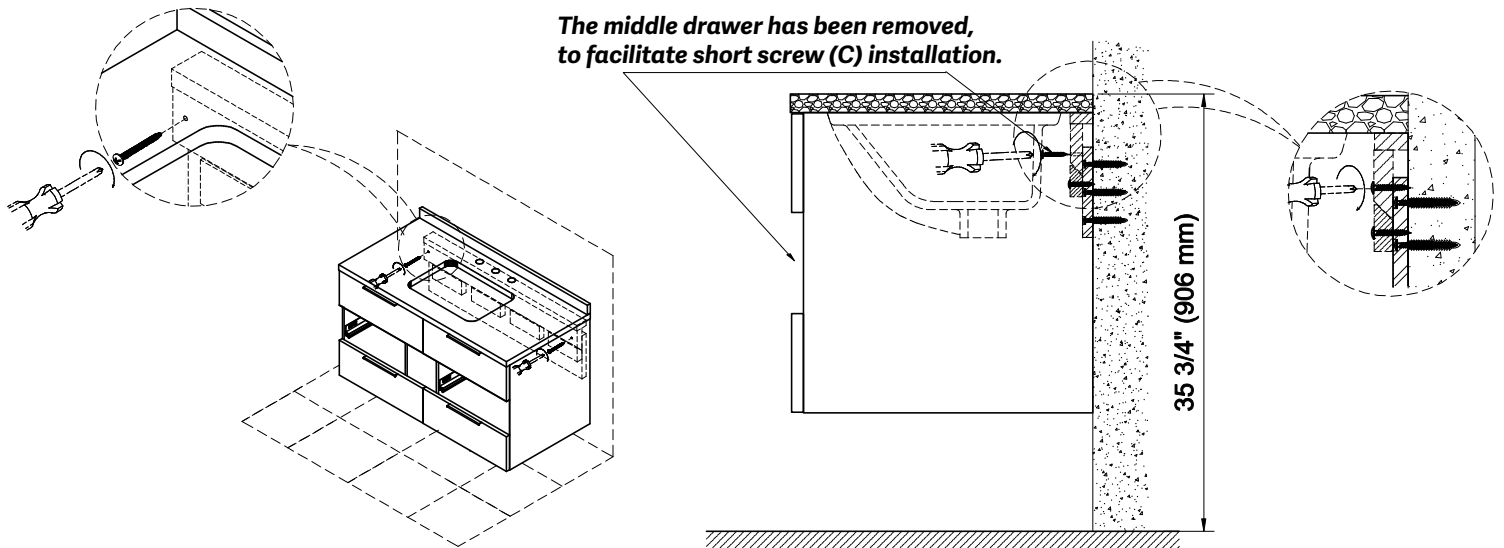


Figure 5

### Step 6:

- Fully extend the slide rail out. See Figure 6.
- Place the drawer onto the slide rails. See Figure 7.
- To secure the drawer, close until a series of clicks are heard. See Figure 8.

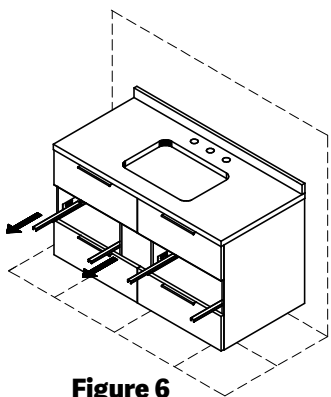


Figure 6

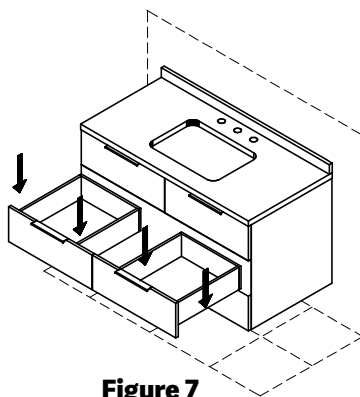


Figure 7

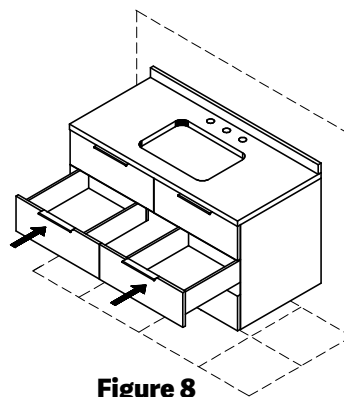


Figure 8

