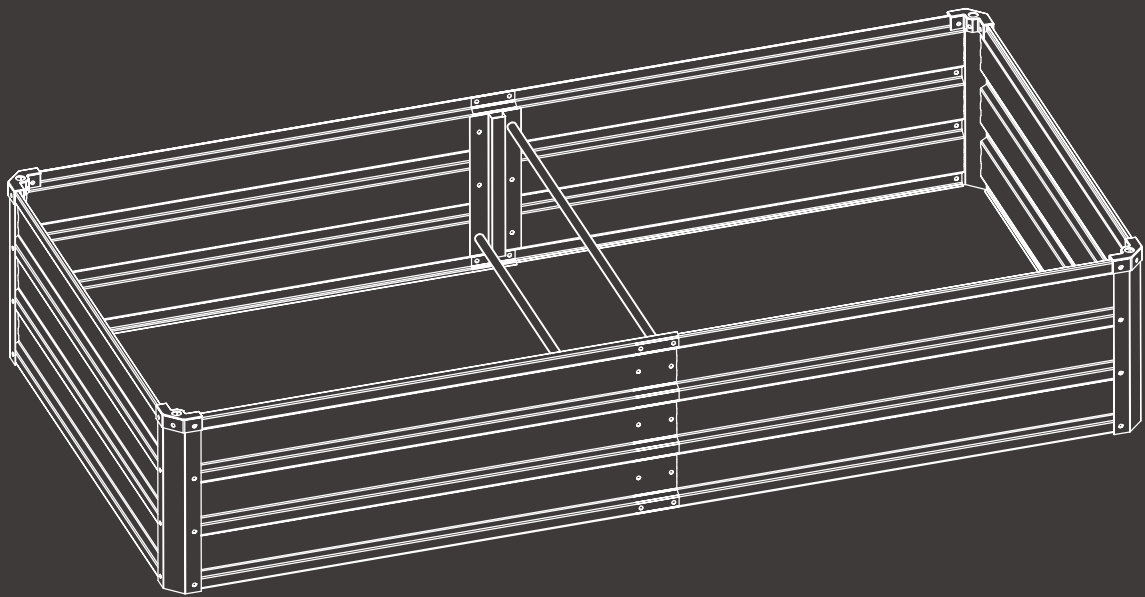
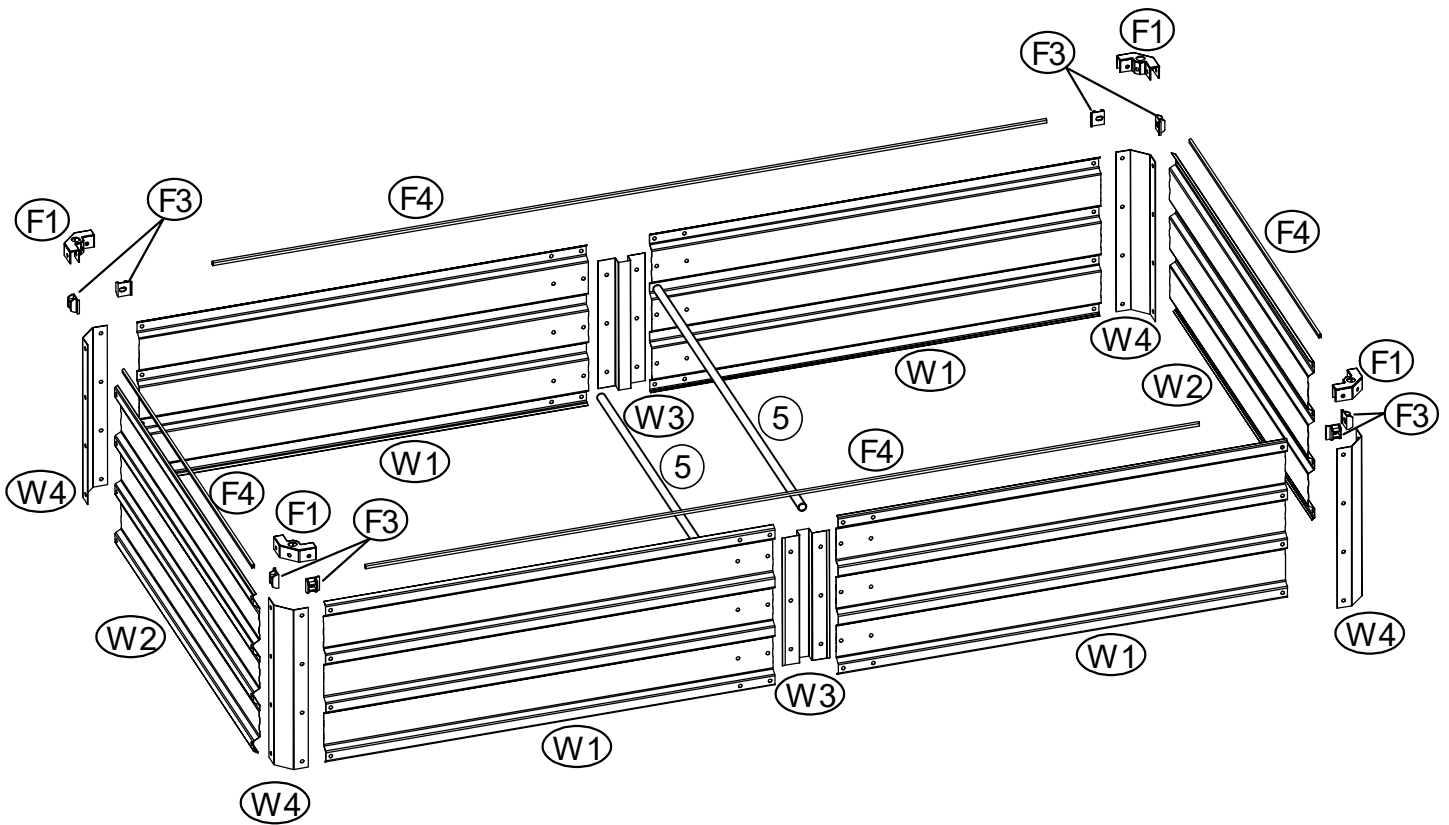


# Metal garden bed

## Instruction Manual

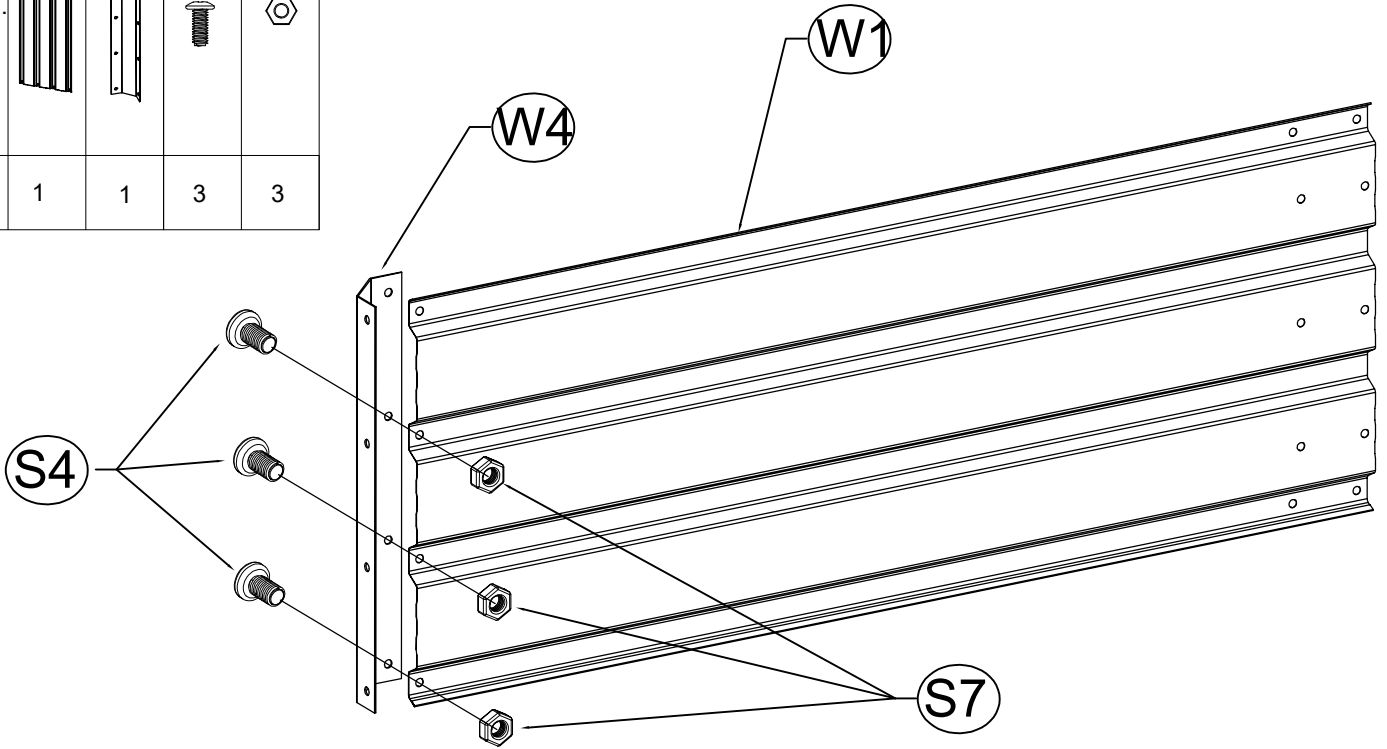


NO.	W1	W2	W3	W4	S4	S6	S7	S8	S9	F1	F3	F4	5					
PART.																		
Qty.	4	2	2	4	44	8	48	1	1	4	8	1	2					

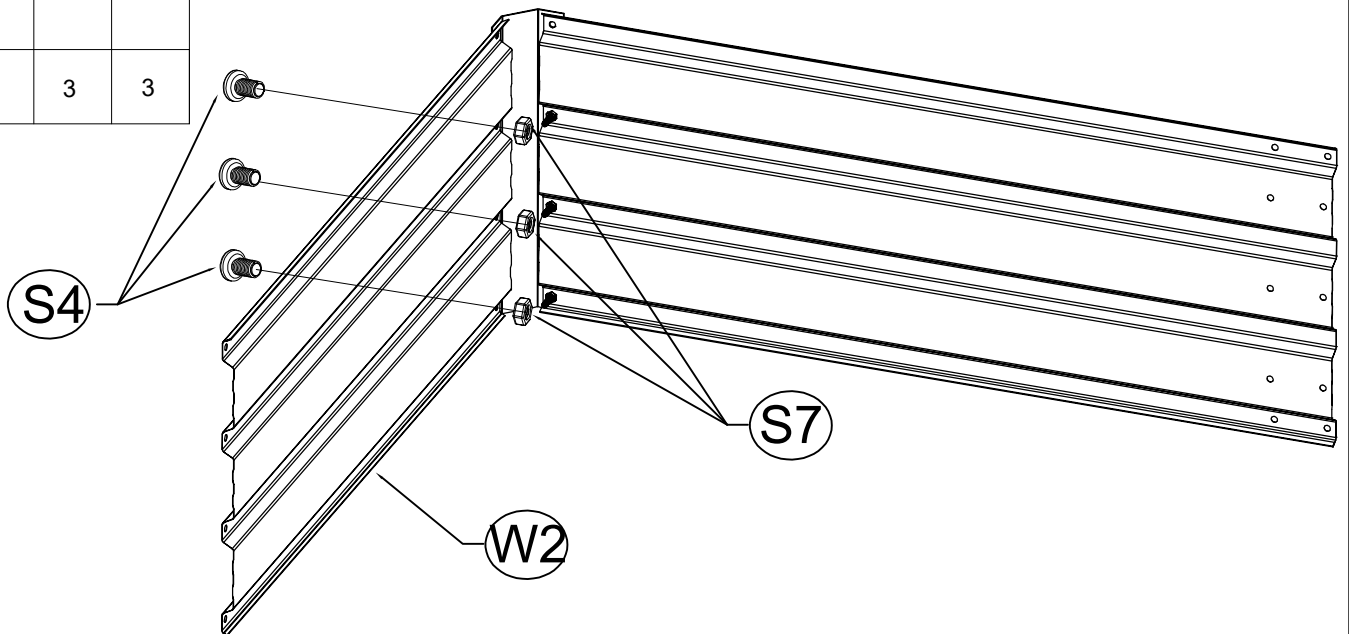




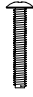

NO.	W1	W4	S4	S7
PART.				
Qty.	1	1	3	3

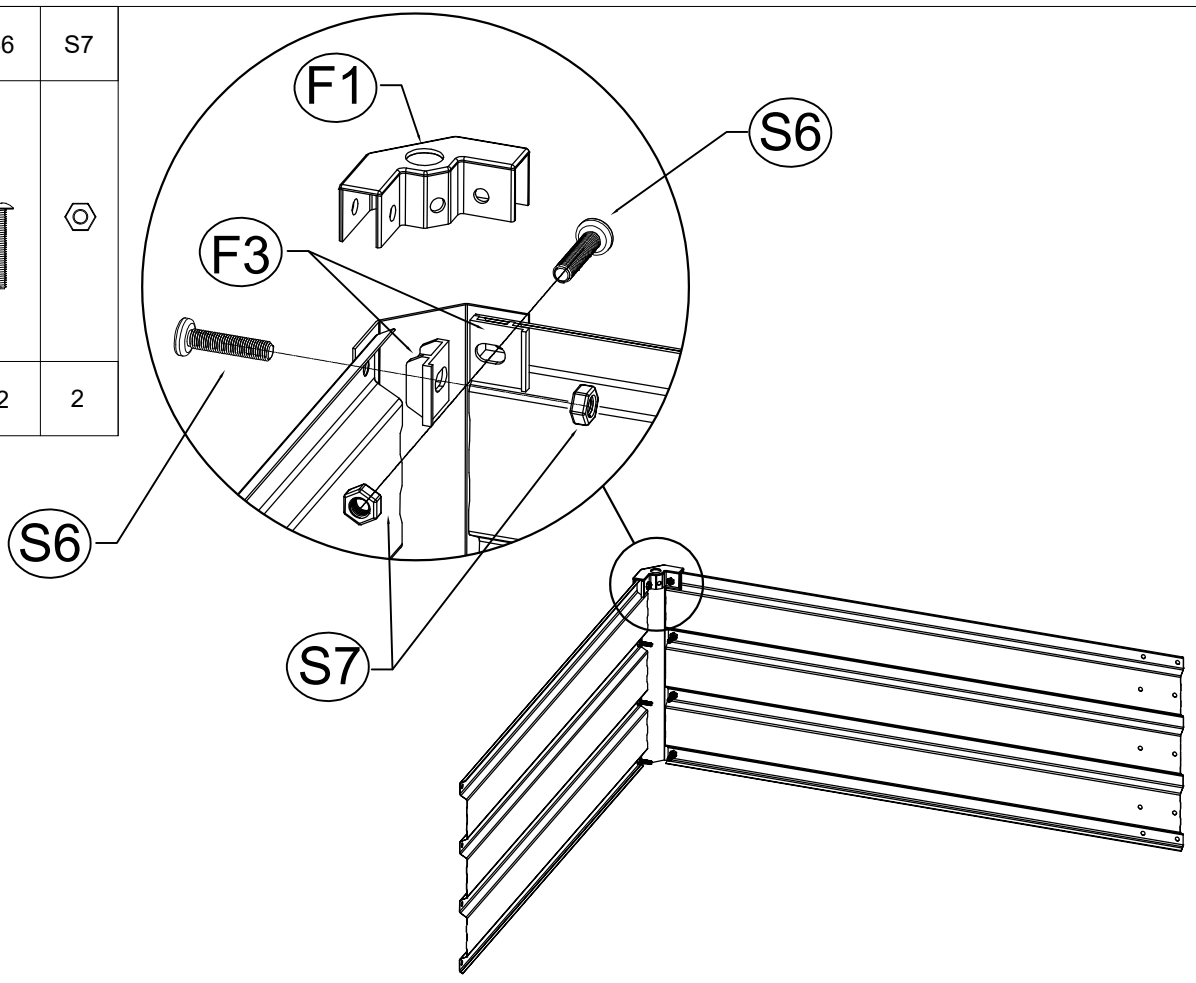
The surface of the tiles is covered with a transparent film.

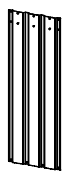






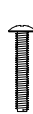
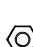
NO.	W2	S4	S7
PART.			
Qty.	1	3	3

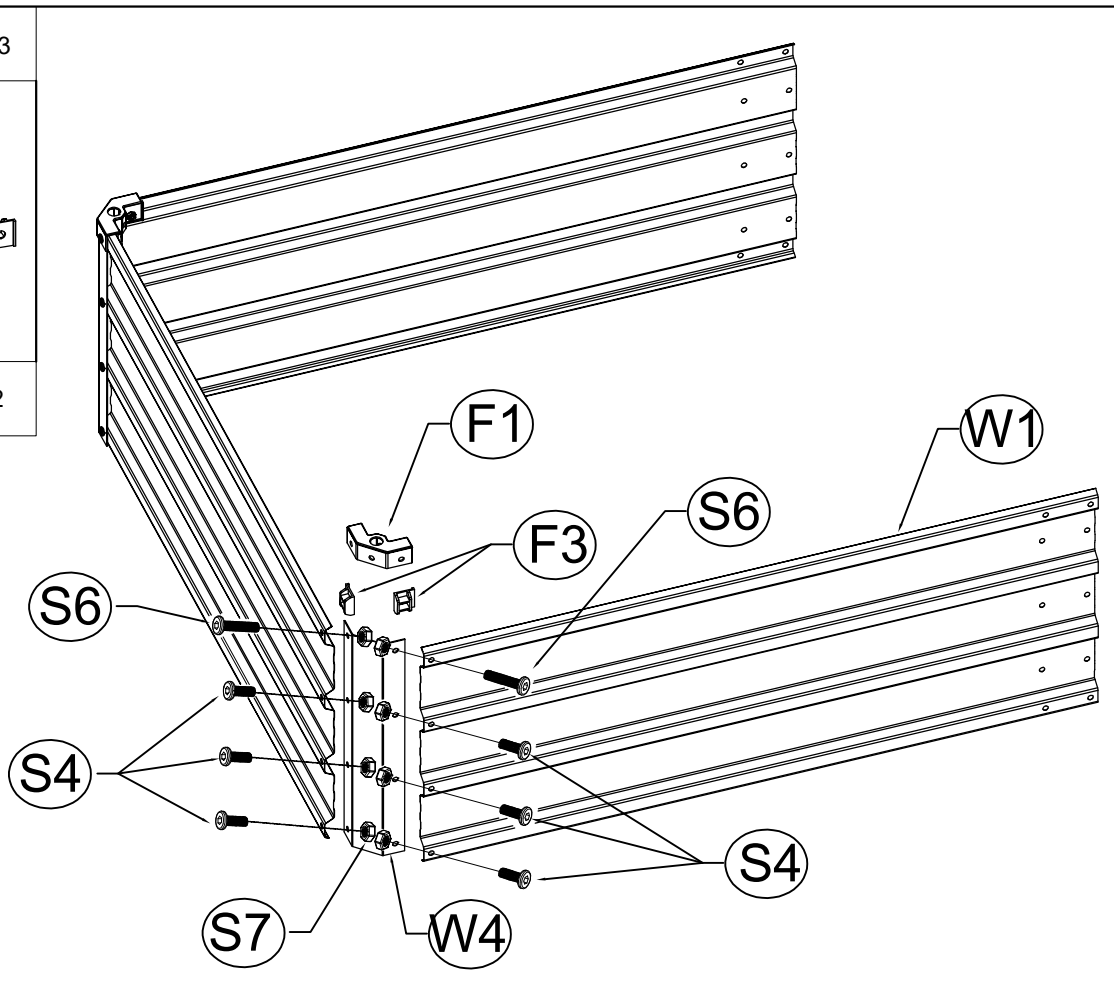


NO.	F1	F3	S6	S7
PART.				
Qty.	1	2	2	2

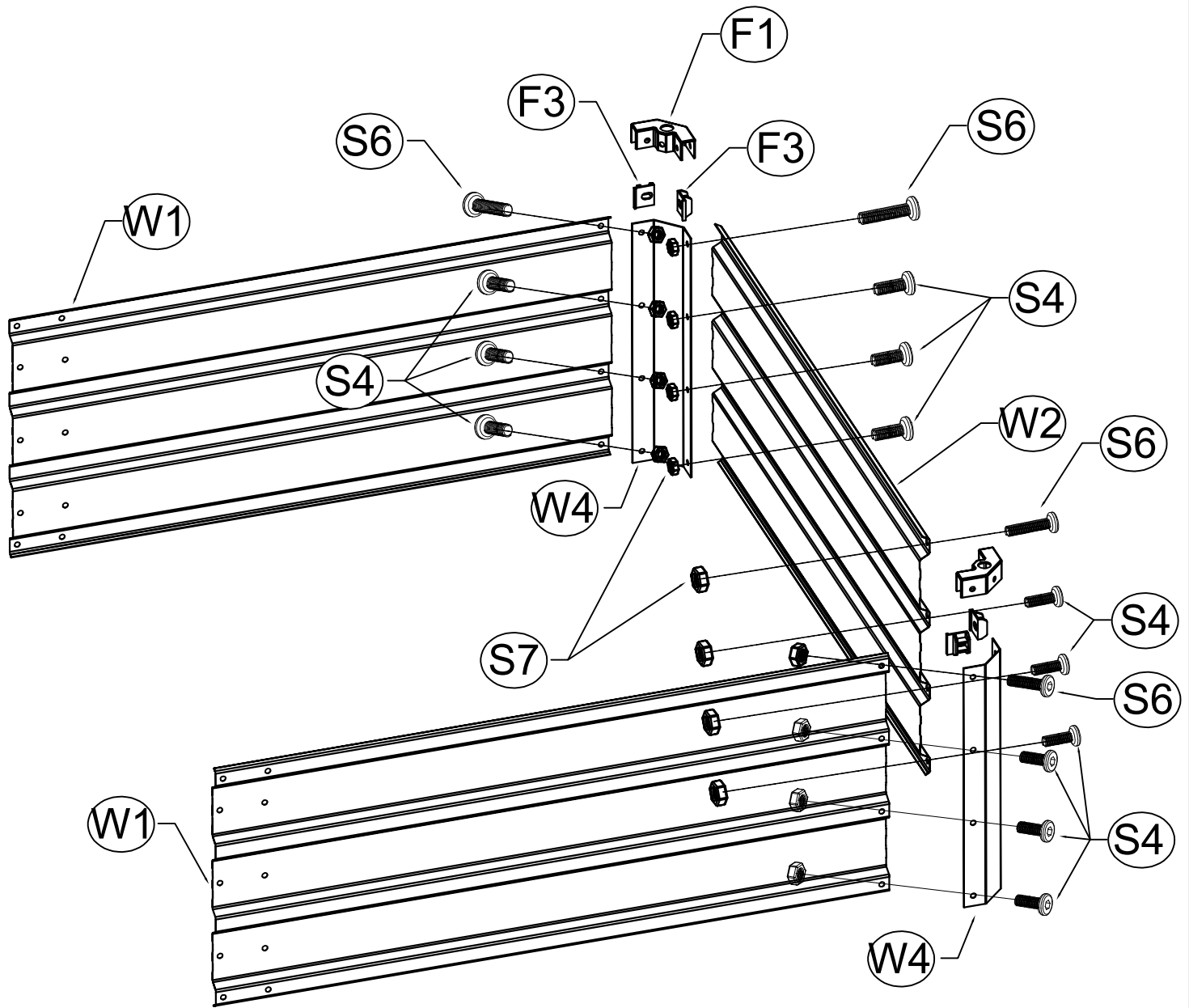





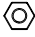
NO.	W1	W4	F1	F3
PART.				
Qty.	1	1	1	2

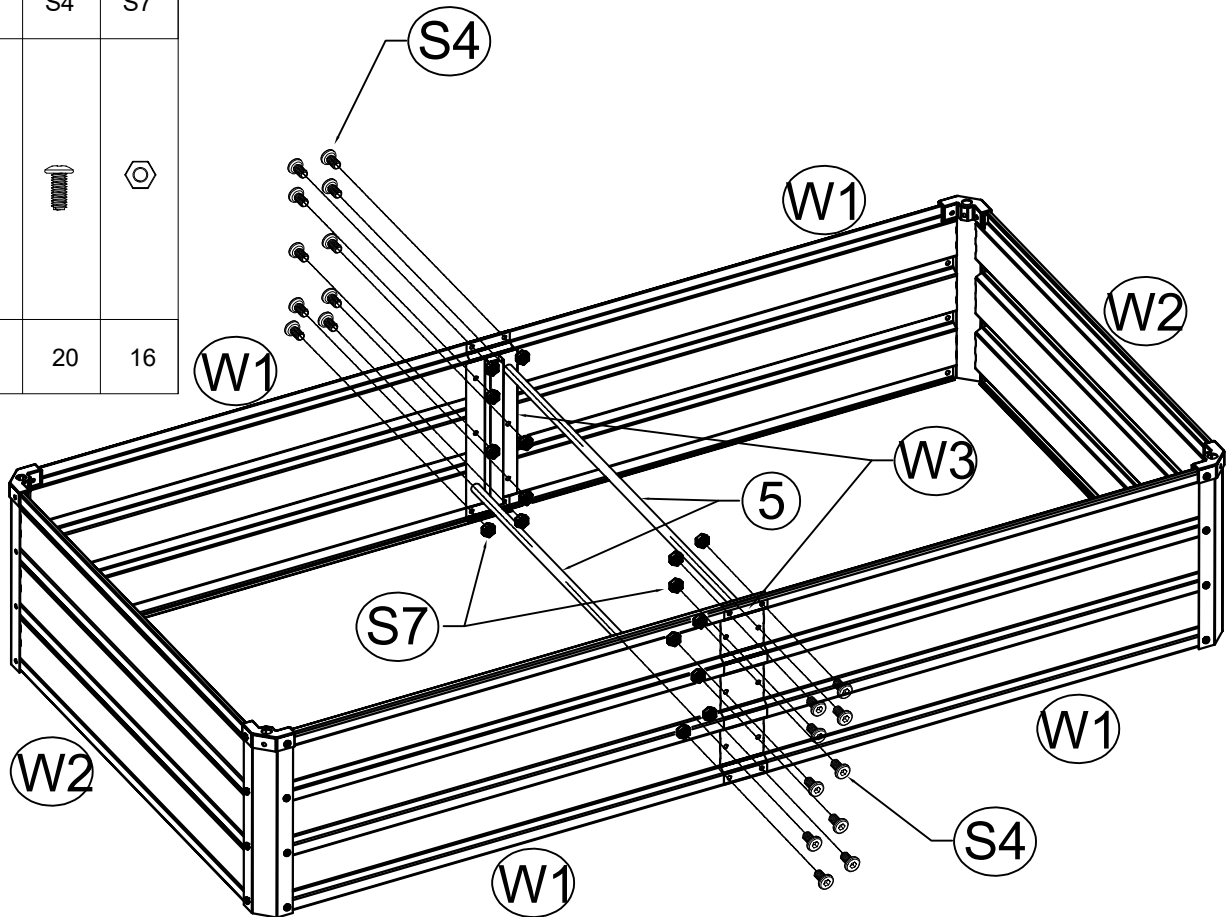
NO.	S4	S6	S7
PART.			
Qty.	6	2	8




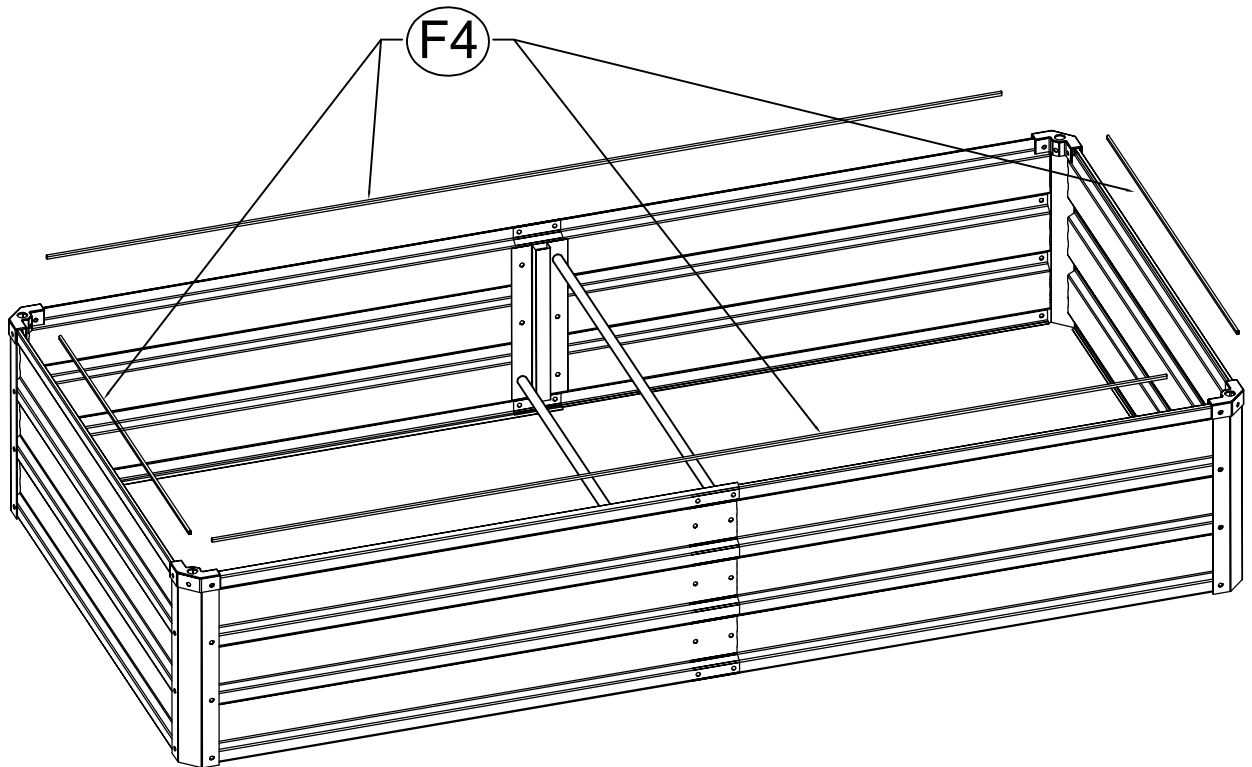
NO.	W1	W2	W4	F1	F3	S4	S6	S7
PART.								
Qty.	2	1	2	2	4	12	4	16



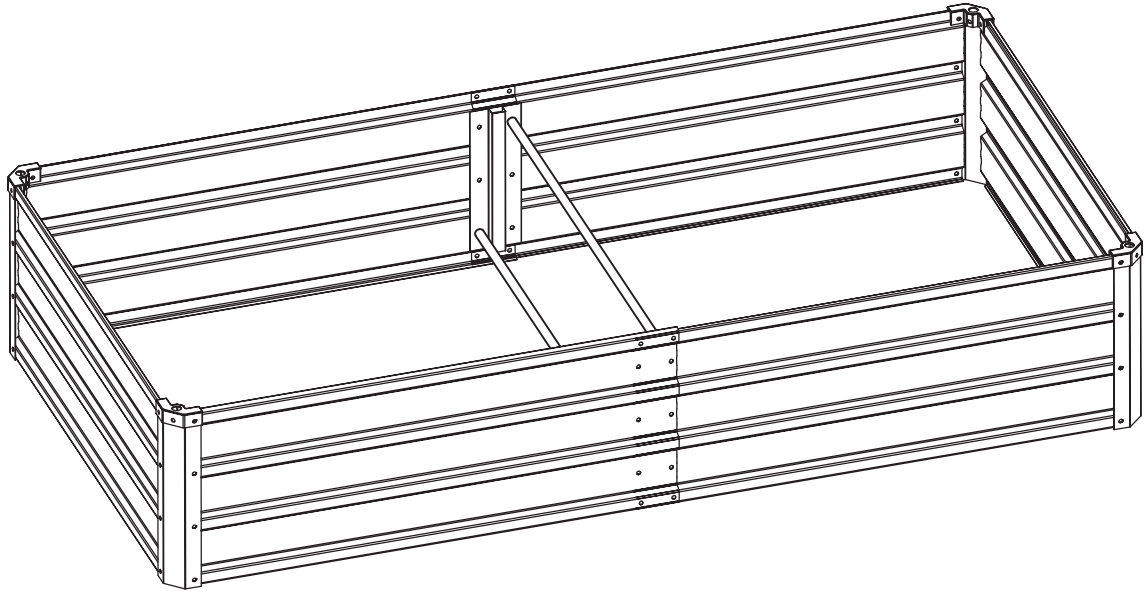
NO.	W3	5	S4	S7
PART.				
Qty.	2	2	20	16



NO.	F4
PART.	
Qty.	1



Cut No.F4 according to the length and width of the garden bed and embedded at the edge.



Thank you for choosing this product. We strive to provide you with the best quality products and service in the industry. Should you have any issues, please don't hesitate to contact us.