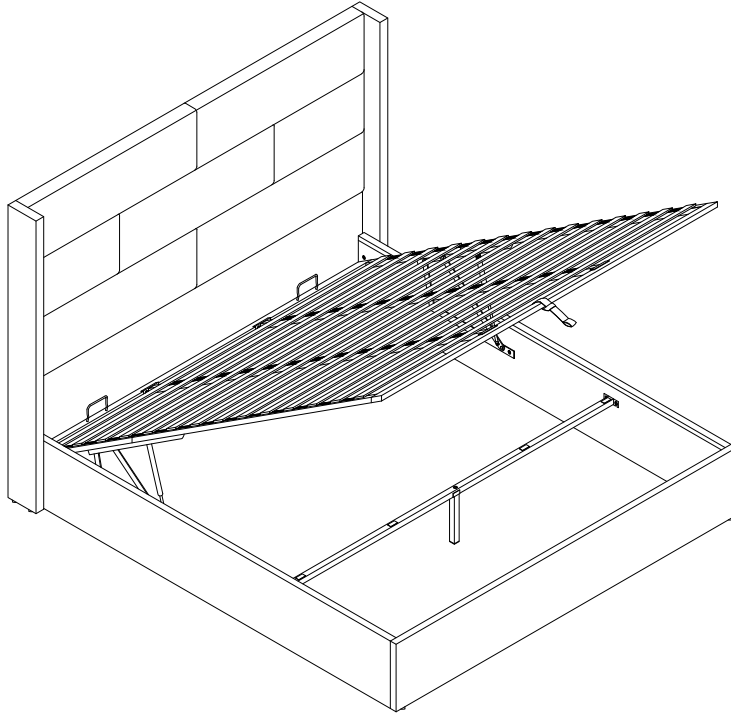


ASSEMBLY INSTRUCTION



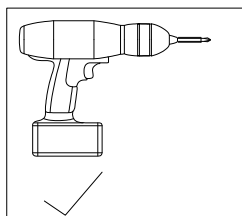
Please **TEAR OFF** this shrink film from side!
DO NOT USE CUTTER!

IMPORTANT NOTE

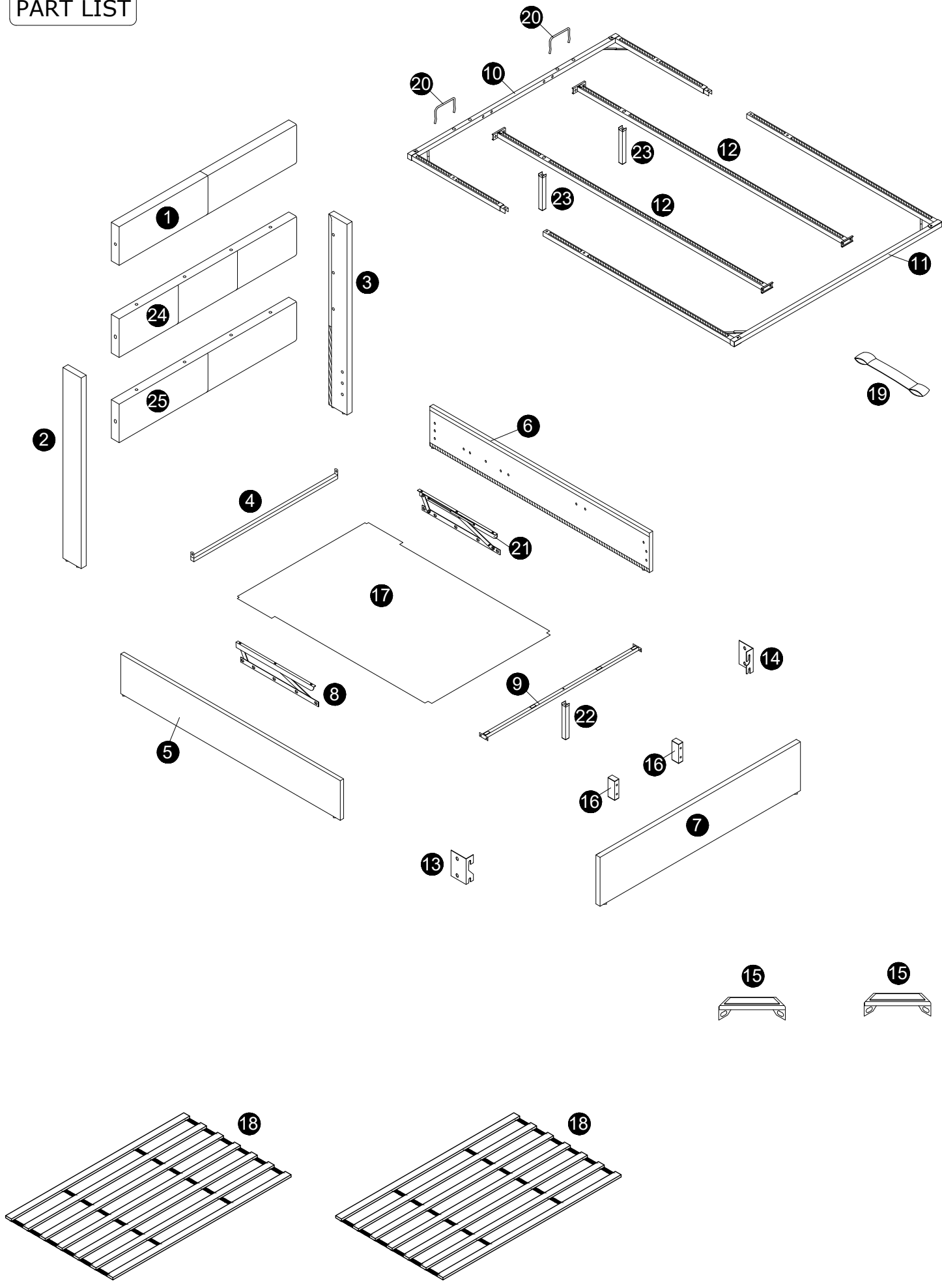
1. FOR THE PROTECTION OF YOUR FURNITURE, PLACE ALL PARTS ON A CLEAN AND SMOOTH SURFACE TO PREVENT ANY DAMAGE.
2. KEEP FITTINGS OUT OF CHILDREN'S REACH AND KEEP CHILDREN WELL AWAY FROM CONSTRUCTION AREA.
3. WHEN MOVING YOUR ASSEMBLED BED. IT IS BEST TO LIFT THE BED AND NEVER TO DRAG IT.
4. DO NOT USE THIS PRODUCT IF PARTS ARE MISSING, DAMAGED OR WORN.
5. THIS PRODUCT SHOULD ONLY BY USED ON FIRM, LEVEL GROUND.
6. PLEASE PERIODICALLY CHECK ALL FITTINGS AND RE-TIGHTEN AS NECESSARY.
7. DO NOT USE THE BED UNLESS ALL BOLTS AND SCREWS ARE FIRMLY SECURED.



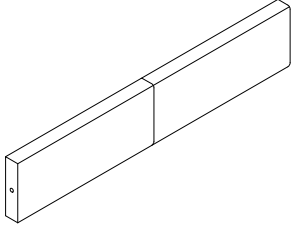
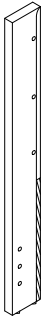

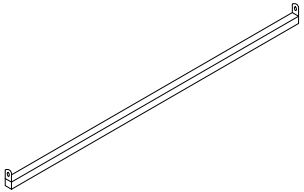
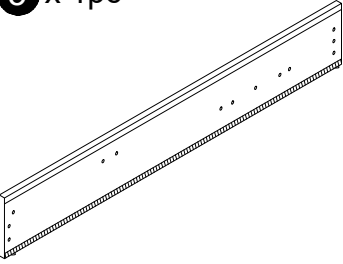
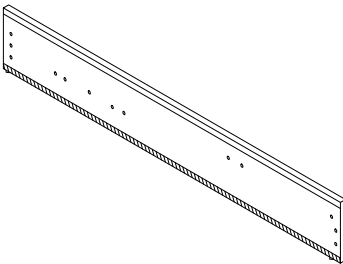
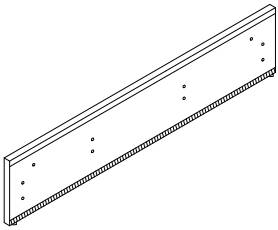
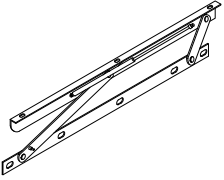
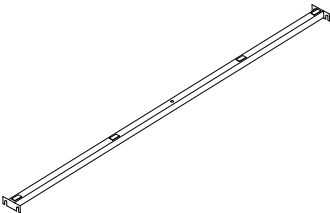
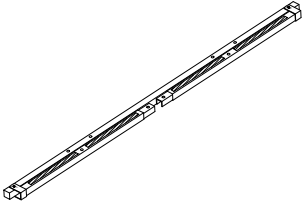
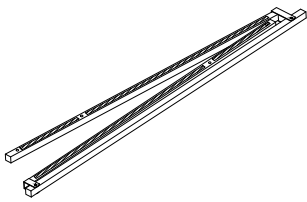
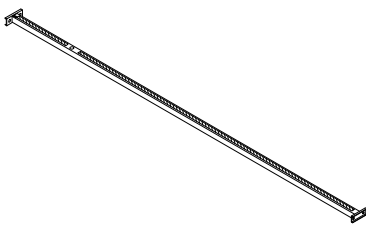


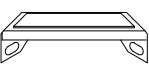
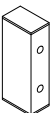
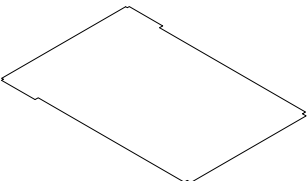
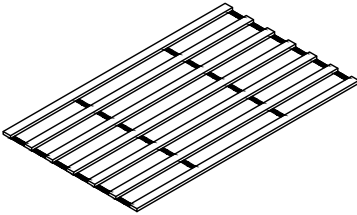
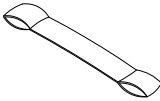
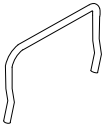
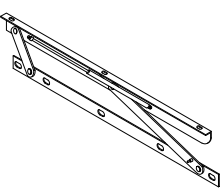


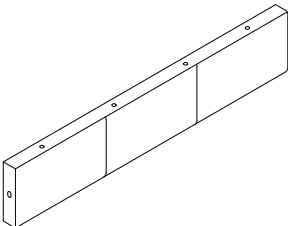
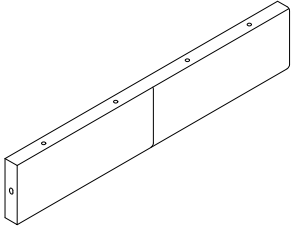
Minimum two
person assembly




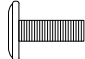



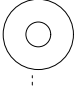
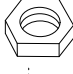



PART LIST



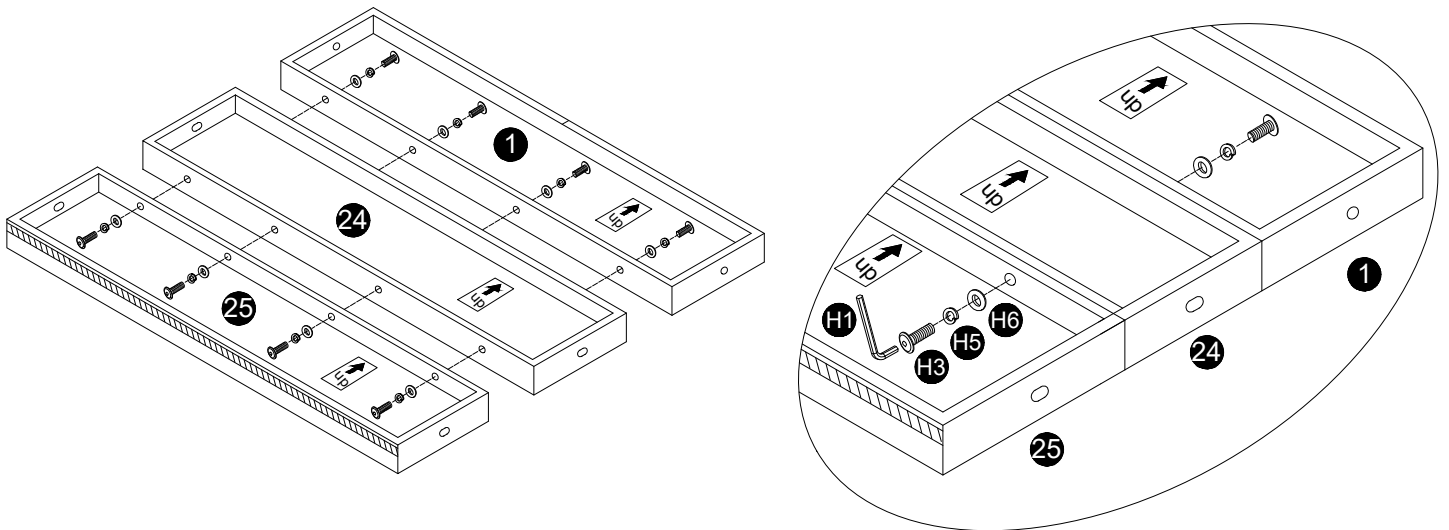
PART LIST

<p>1 x 1pc</p> 	<p>2 x 1pc</p> 	<p>3 x 1pc</p> 	<p>4 x 1pc</p> 	
<p>5 x 1pc</p> 	<p>6 x 1pc</p> 	<p>7 x 1pc</p> 	<p>8 x 1pc</p> 	
<p>9 x 1pc</p> 	<p>10 x 1pc</p> 	<p>11 x 1pc</p> 	<p>12 x 2pcs</p> 	
<p>13 x 1pc</p> 	<p>14 x 1pc</p> 	<p>15 x 2pcs</p> 	<p>16 x 2pcs</p> 	
<p>17 x 1pc</p> 	<p>18 x 2pcs</p> 	<p>19 x 1pc</p> 	<p>20 x 2pcs</p> 	
<p>21 x 1pc</p> 	<p>22 x 1pc</p> 	<p>23 x 2pcs</p> 	<p>24 x 1pc</p> 	<p>25 x 1pc</p> 

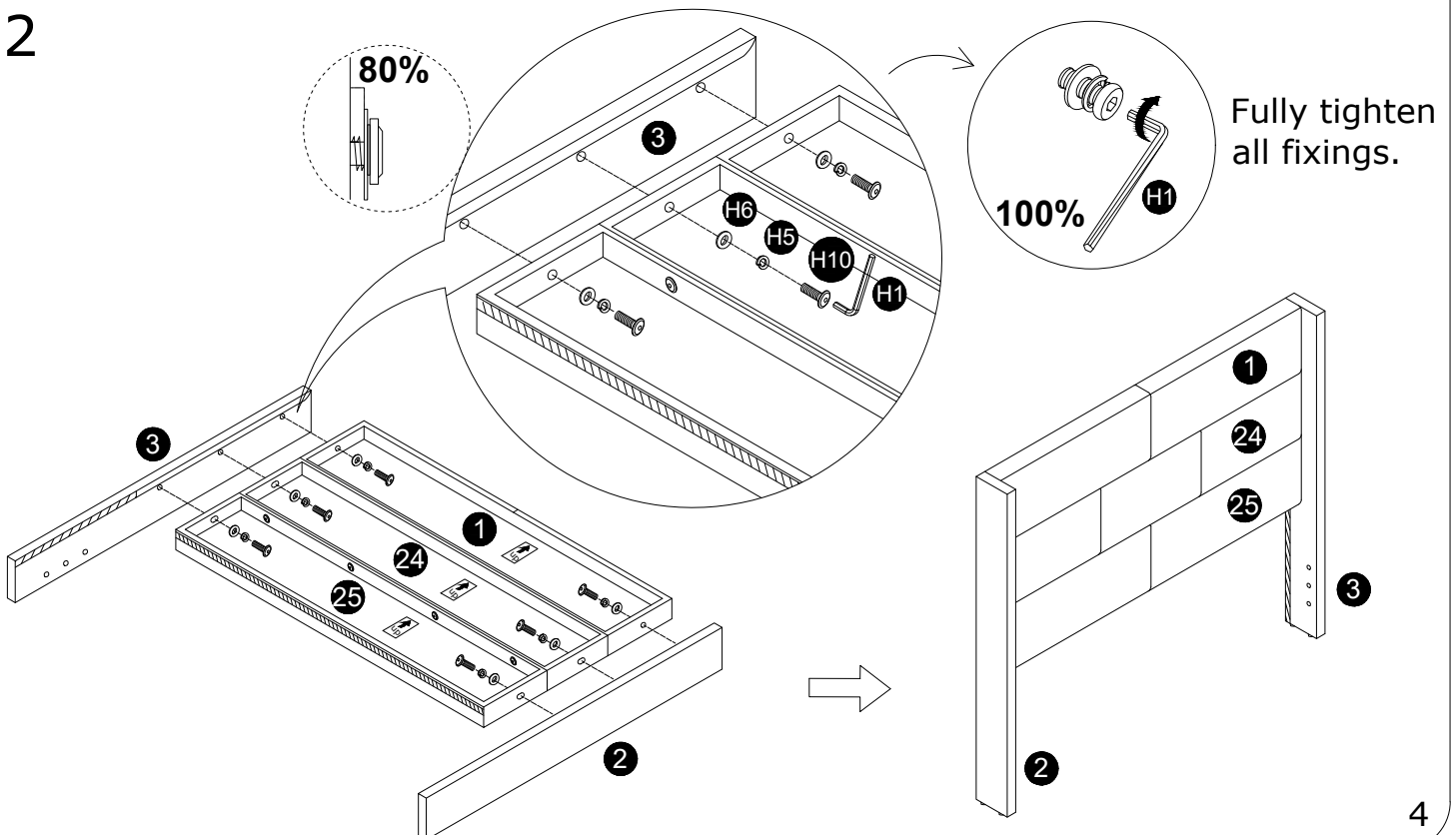
HARDWARE LIST

 H1 M5 x 1pc	 H2 M8x25mm x 34pcs	 H3 M8x35mm x 8pcs	 H4 M8x60mm x 4pcs
 H5 M8 x 28pcs	 H6 M8x22mm x 28pcs	 H7 M8 x 6pcs	 H8 M14 x 1pc
 H9 M8x50mm x 15pcs	 H10 M8x45mm x 6pcs		

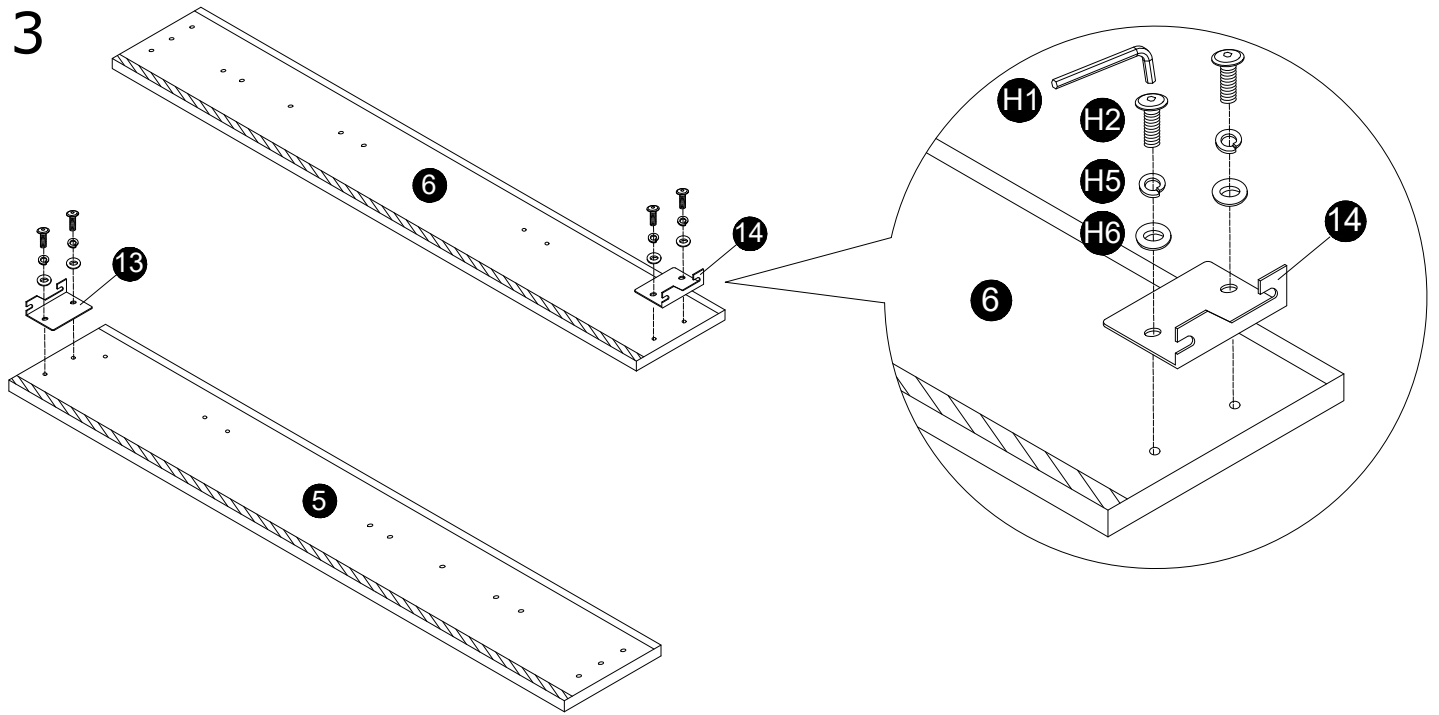
1



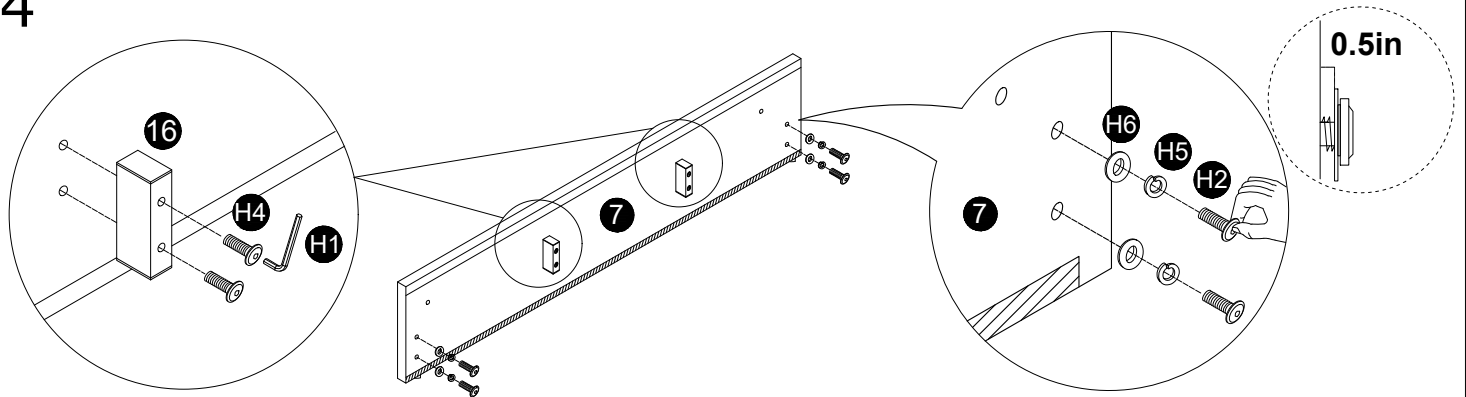
2



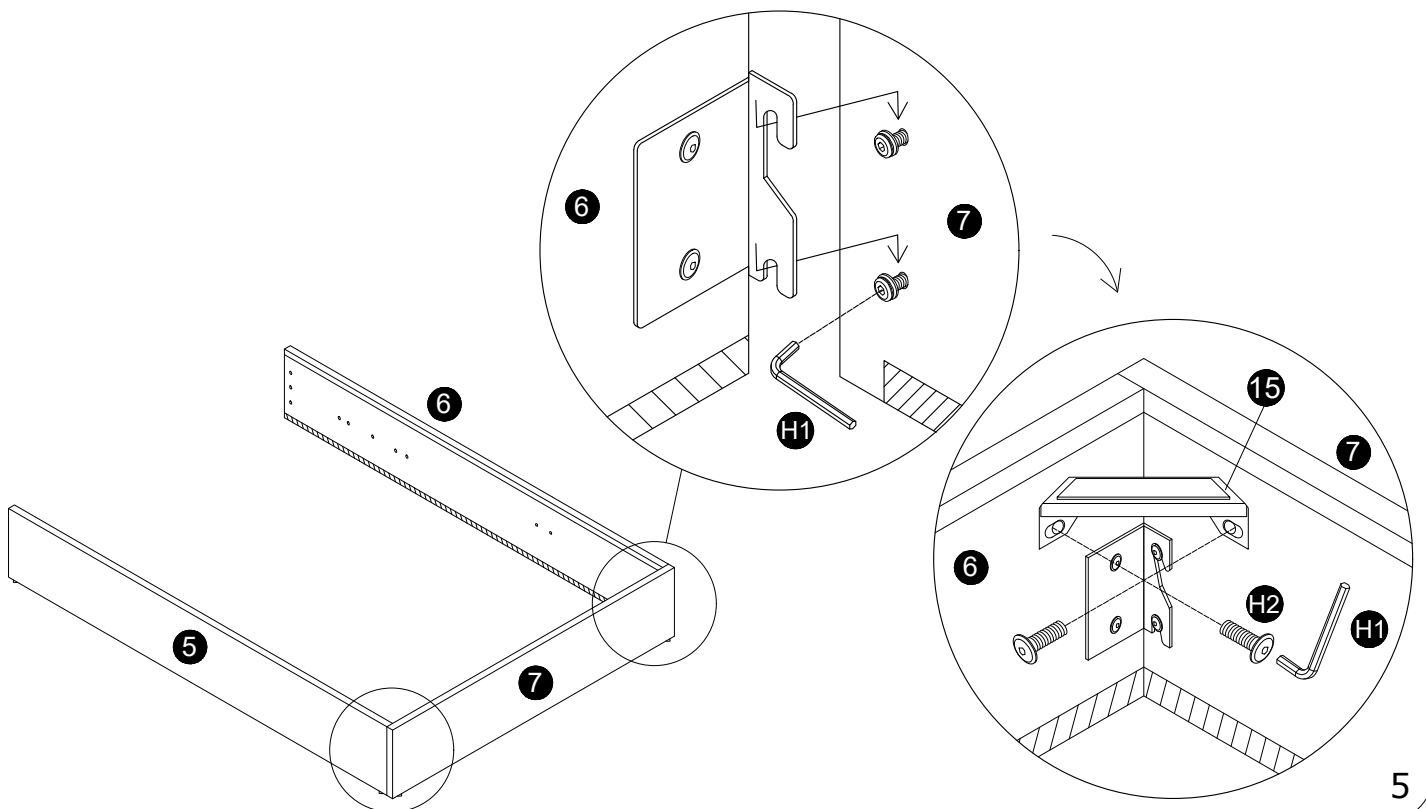
3



4

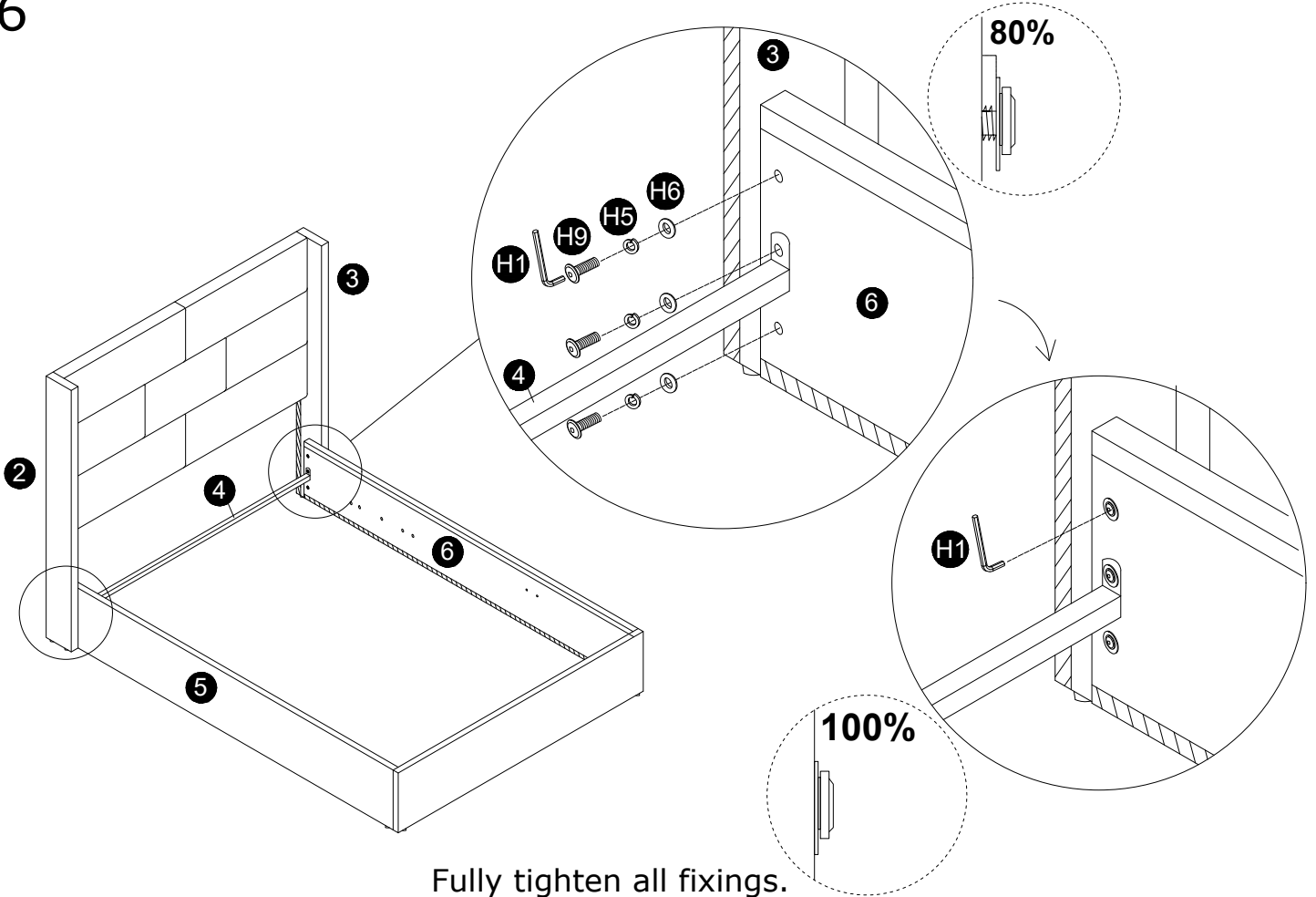


5



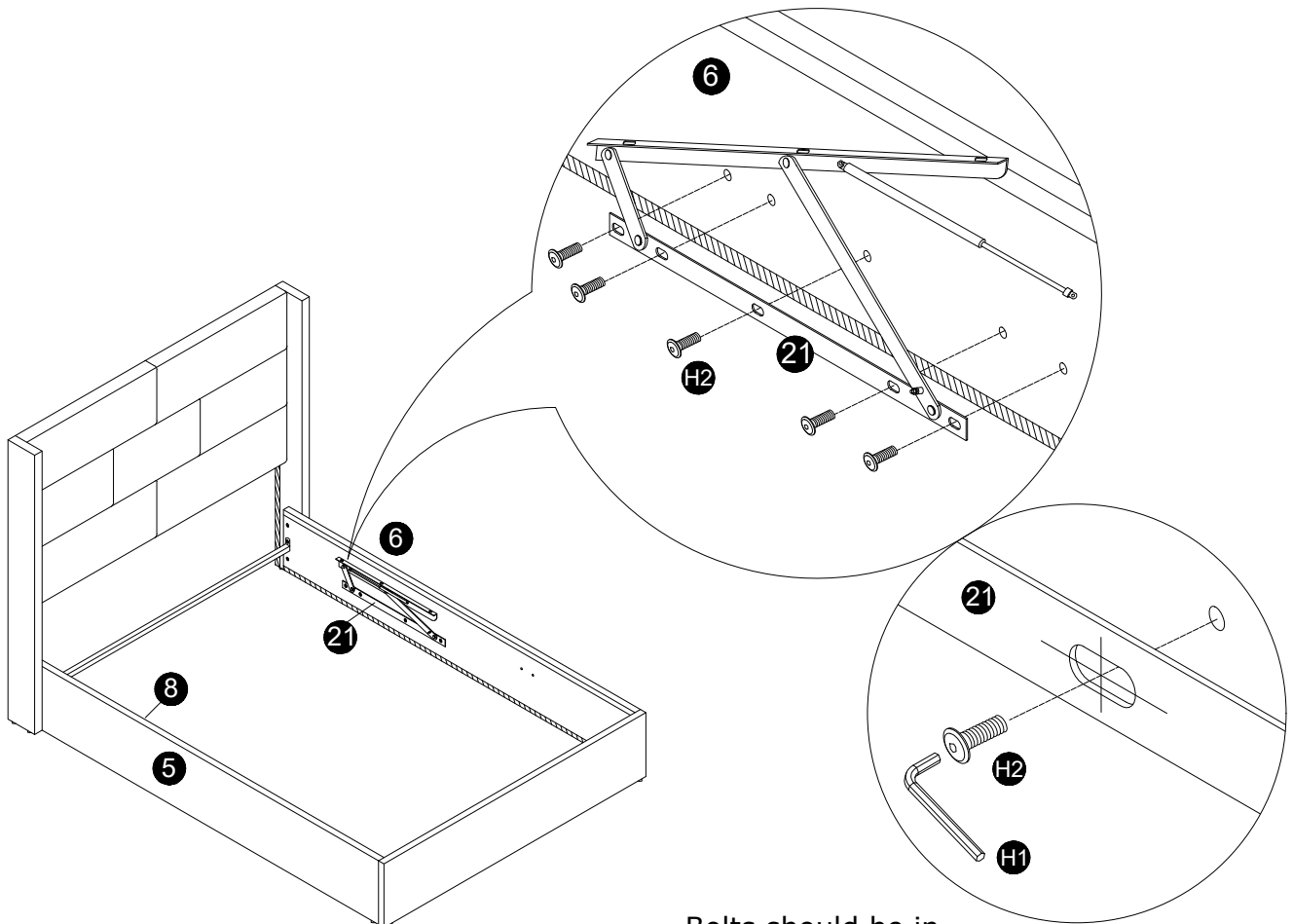
5

6



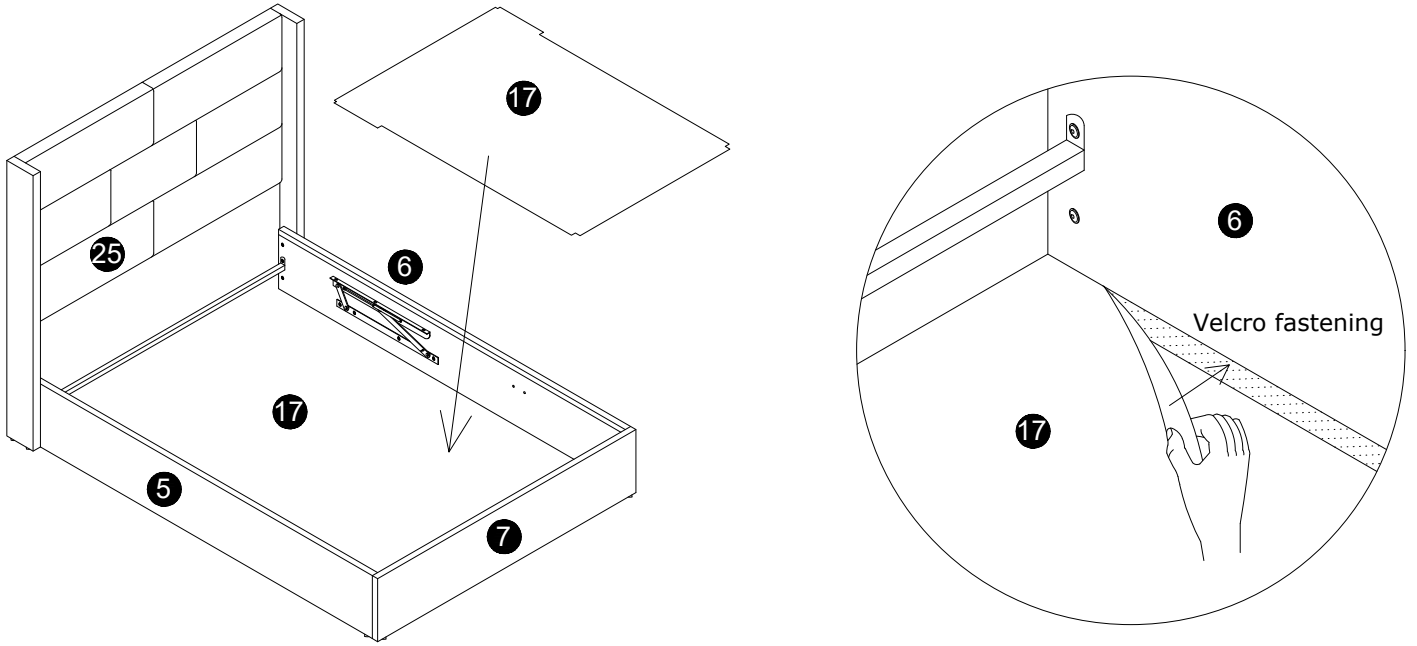
Fully tighten all fixings.

7

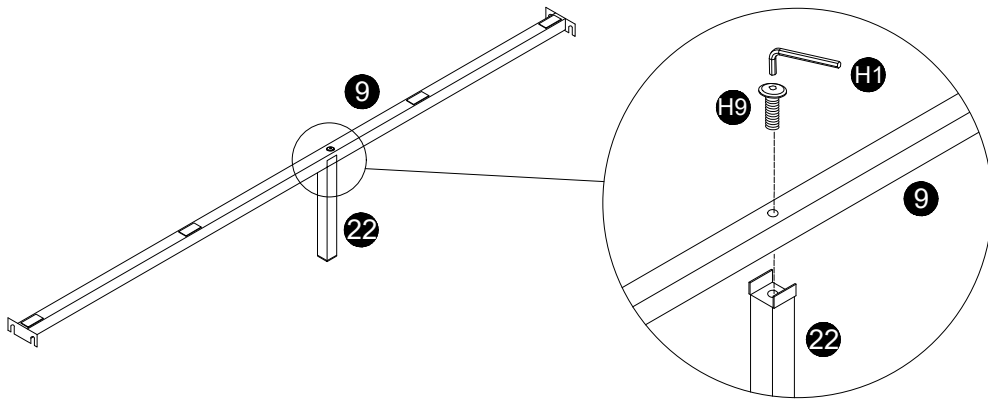


Bolts should be in centre of long holes

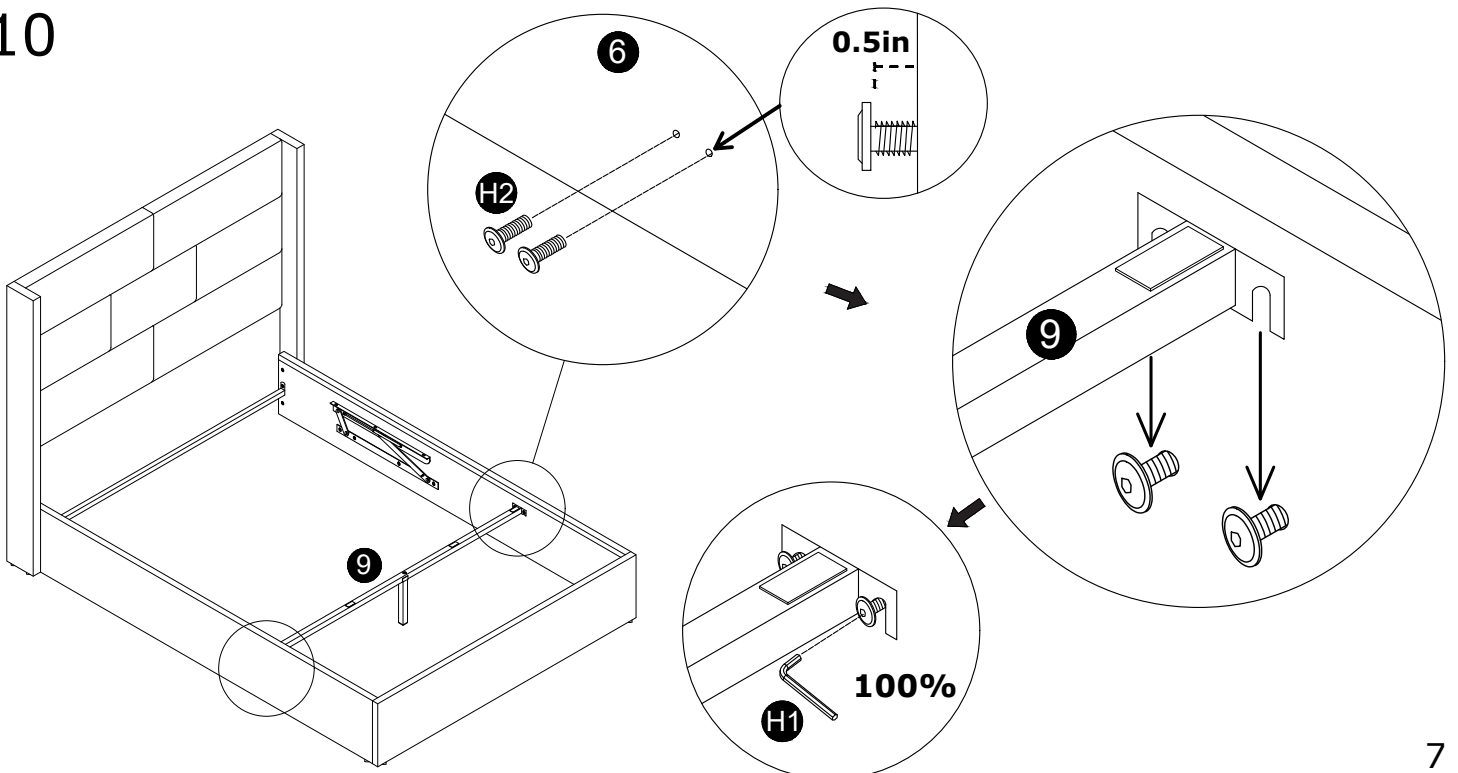
8



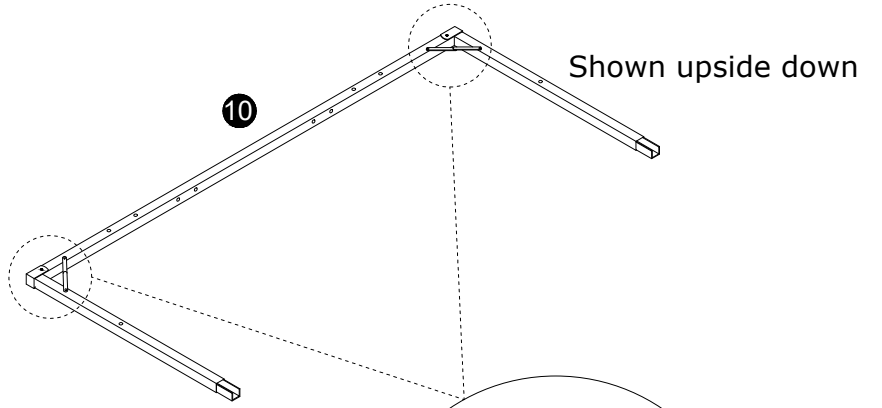
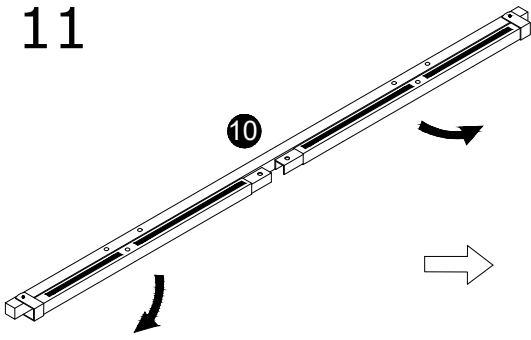
9



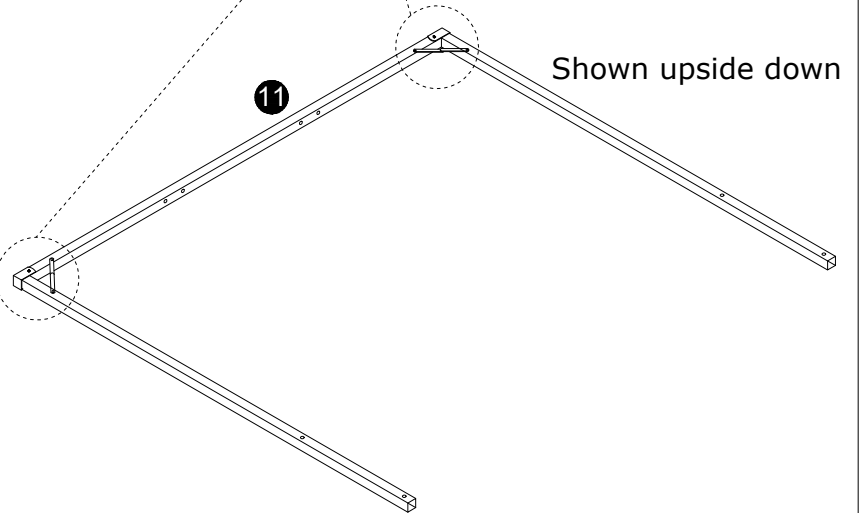
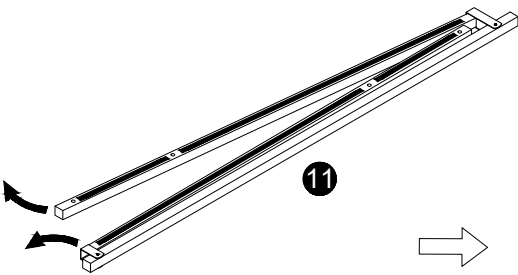
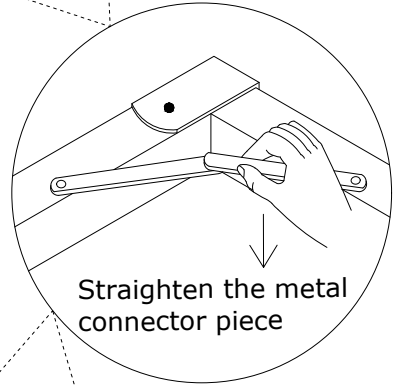
10



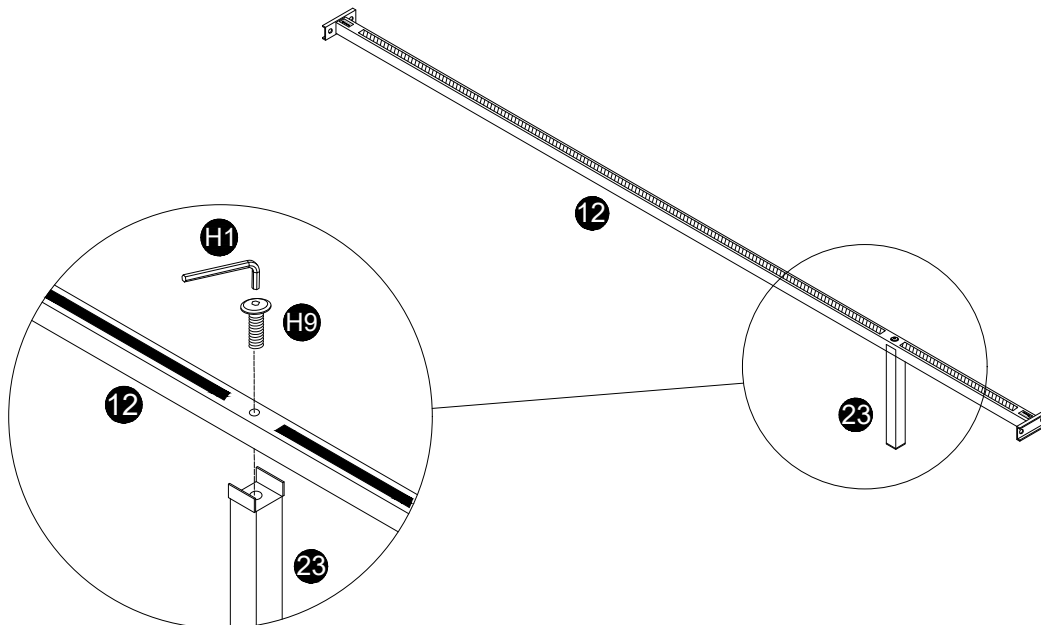
11



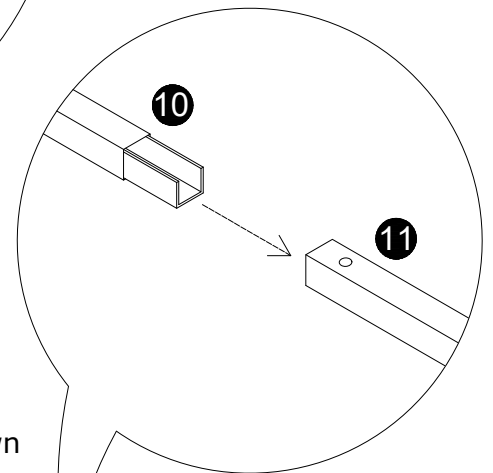
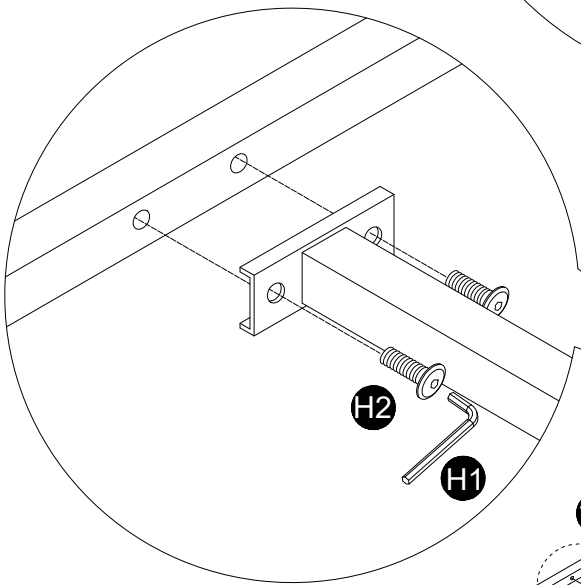
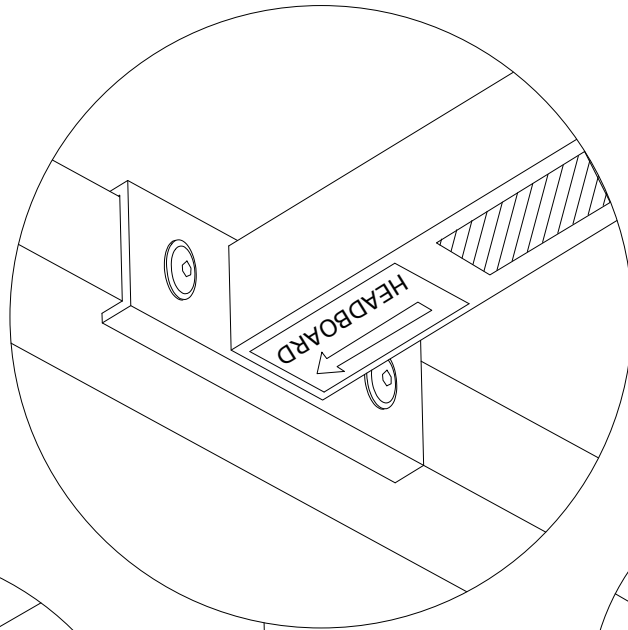
BEWARE OF CLAMP HAND



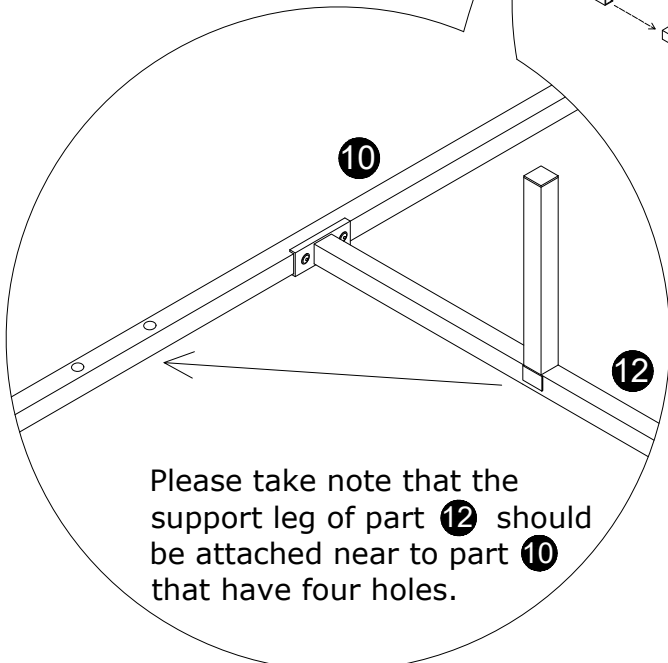
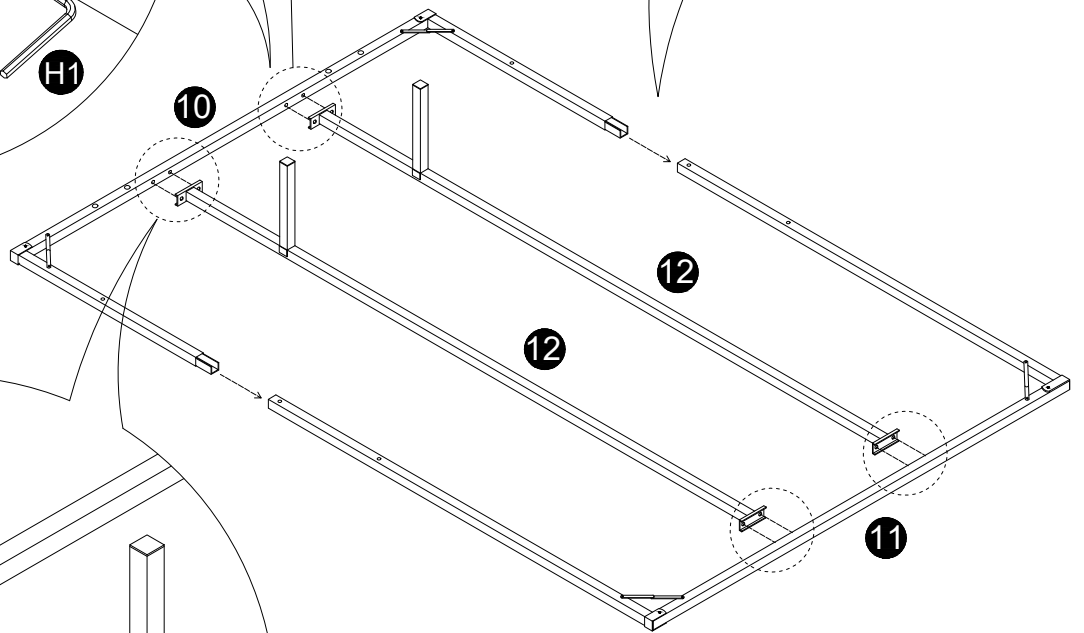
12



x2

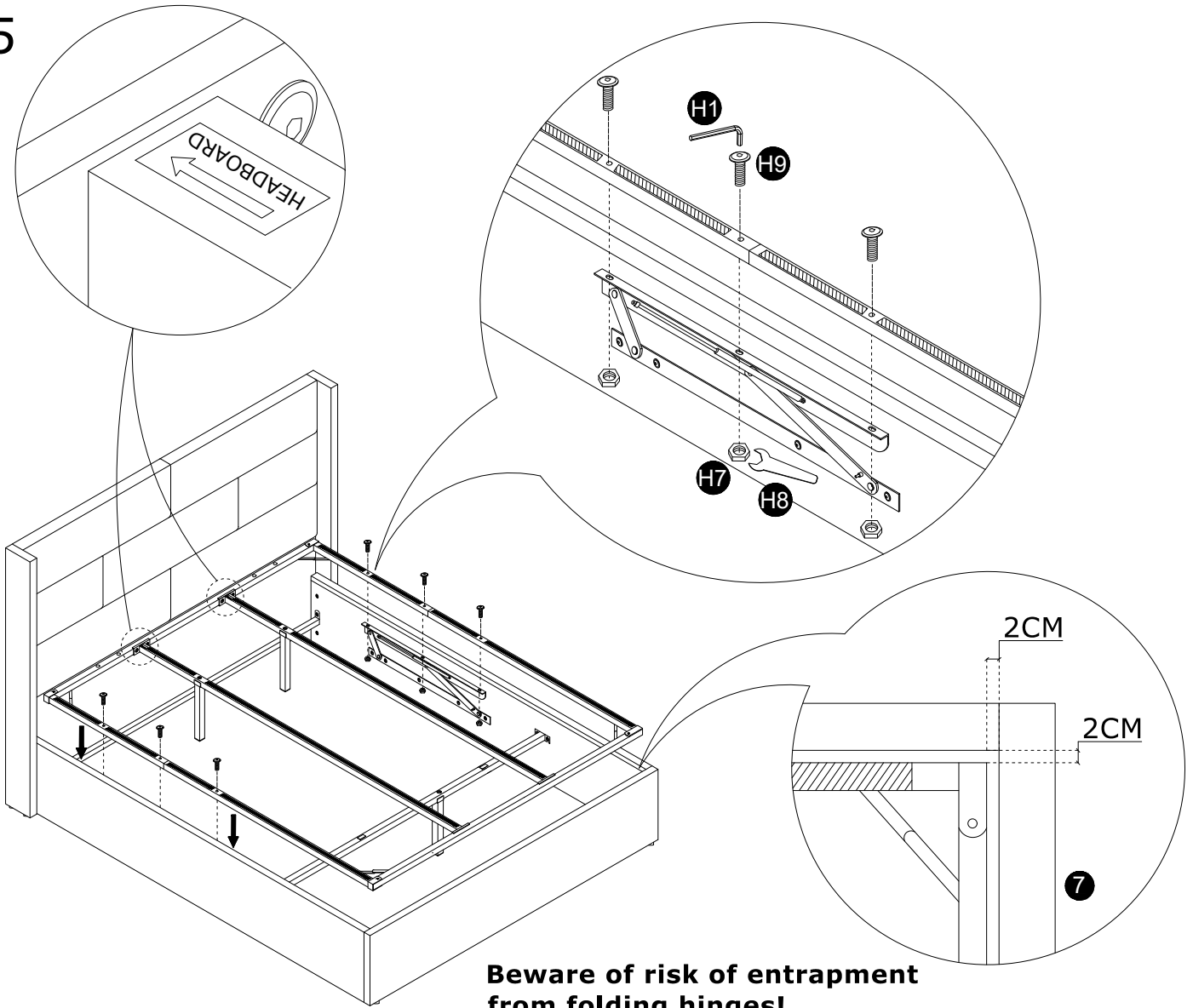


Shown upside down

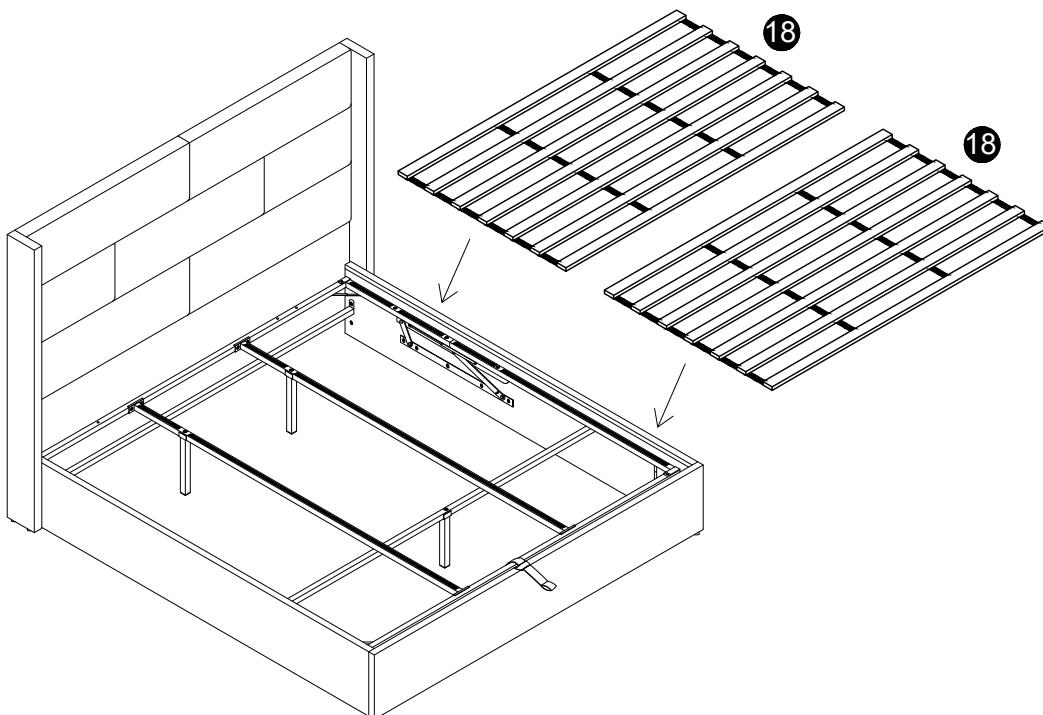


Please take note that the support leg of part 12 should be attached near to part 10 that have four holes.

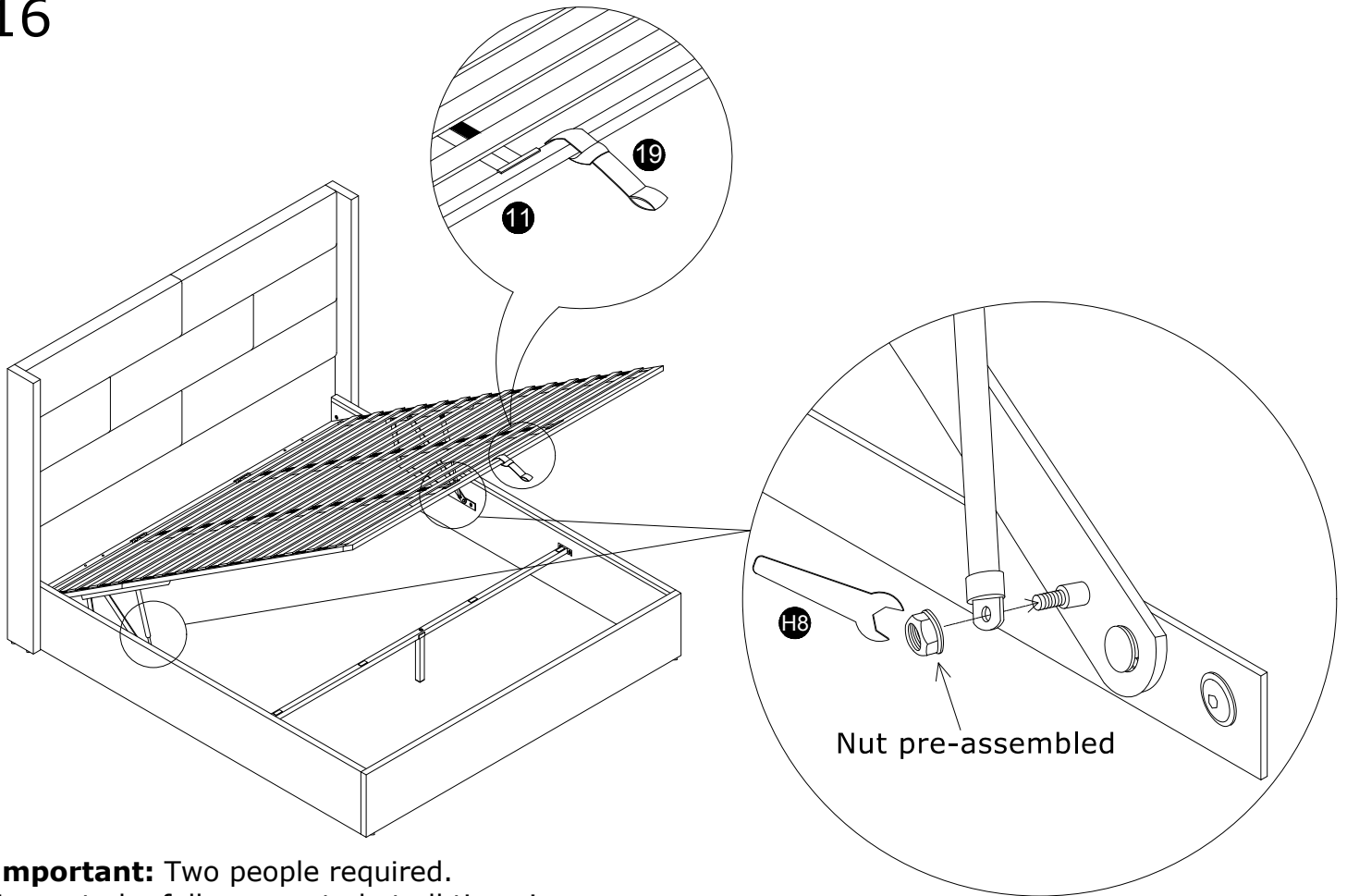
15



15

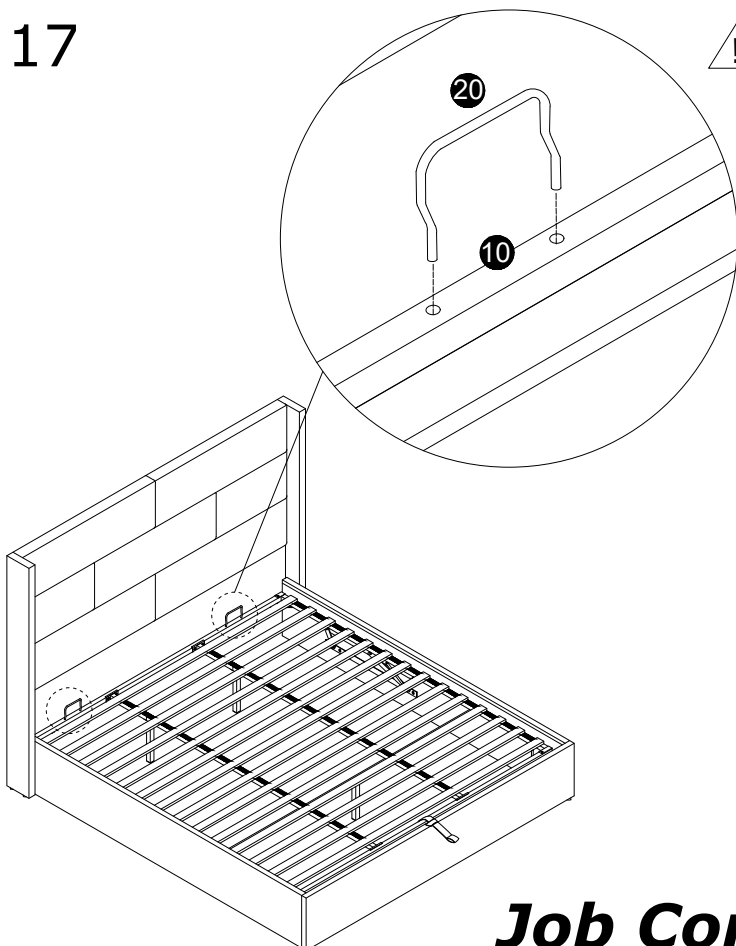


16



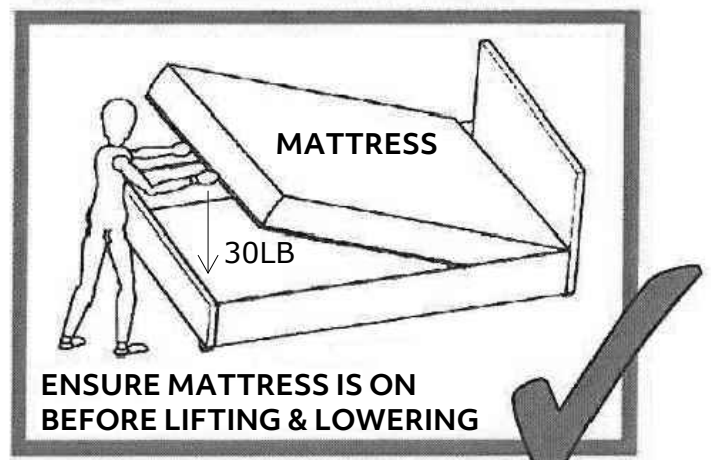
Important: Two people required.
Frame to be fully supported at all times!

17



Only lift when the mattress is in place.
Place mattress & Carefully lower frame down.
Keep objects/body part & children away from
moving parts.

After placing the mattress on frame,
push down the frame with 30lbs force.



Job Complete !

In the interest of our environment please dispose of all packaging thoughtfully.