

METAL BED FRAME

WARNING!

- Do not sit on the arms of the chair.
- This chair is designed to be used by one individual at a time.
- The maximum weight capacity of this chair is 250lb.
- Do not use this chair near fire, water.
- Do not drop sharp objects like knives, pins, nails, needles on this chair.
- Carry chair carefully when moving it from one position to another.
- Do not drag chair on any type of flooring.
- Do not jump on chair.
- Do not forcefully throw your weight on the chair to avoid tipping over.
- Do not use this chair in direct sunlight or put chair in front of heater, air conditioner, this may make material brittle and fade color.
- Do not let children play on or near the chair when in use. Serious injury can occur.
- This product has moving parts, serious injuries can occur if not used appropriately.

CLEANING INSTRUCTIONS:

For: Liquid spills, non-liquid spills

- The removal of dried non-liquid spills may require the use of soft brush.
- Mix water-based upholstery cleaner with 16 ounces of lukewarm water.
- Dampen a cleaning cloth in the mixture and gently blot the soiled area. Avoid rubbing the affected area aggressively.
- Wipe area with a clean cloth dampened in water.
- Ensure that all of the soap residue has been removed.

!!!ADVERTENCIAS!!!

- No se siente en los brazos de la silla.
- Esta silla está diseñada para ser utilizada por una persona a la vez.
- La capacidad máxima de peso de esta silla es de 113 kg.
- No use esta silla cerca de fuego o agua.
- No deje caer objetos afilados como cuchillos, alfileres, clavos o agujas en esta silla.
- Cargue la silla con cuidado cuando la mueva de una posición a otra.
- No arrastre la silla sobre ningún tipo de piso.
- No salte sobre la silla.
- No tire con fuerza su peso sobre la silla para evitar que se vuelque.
- No use esta silla a la luz solar directa ni coloque la silla frente al calentador o acondicionador de aire, ya que puede hacer que el material se vuelva quebradizo y pierda el color.
- No deje que los niños jueguen en la silla o cerca de ella cuando esté en uso. Pueden producirse lesiones graves.
- Este producto tiene piezas móviles, pueden ocurrir lesiones graves si no se usa adecuadamente.

INSTRUCCIONES DE LIMPIEZA

Para: derrames de líquidos, derrames no líquidos.

- La eliminación de derrames no líquidos secos puede requerir el uso de un cepillo suave.
- Mezcle el limpiador de tapicería a base de agua con 16 onzas de agua tibia.
- Humedezca un paño de limpieza en la mezcla y limpie suavemente el área sucia. Evite frotar agresivamente la zona afectada.
- Limpie el área con un paño limpio humedecido en agua. Asegúrese de que los restos de jabón hayan sido eliminados.

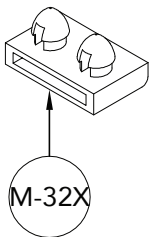
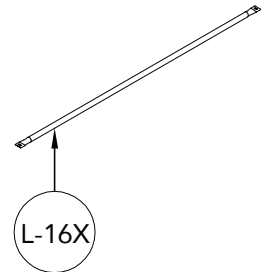
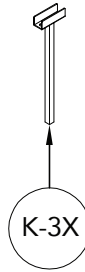
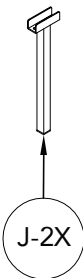
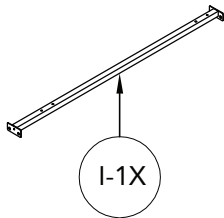
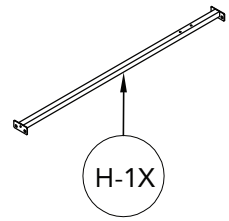
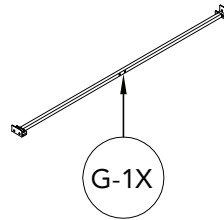
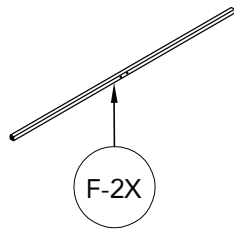
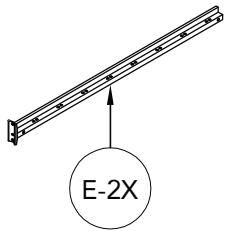
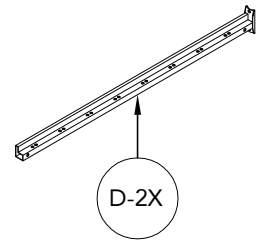
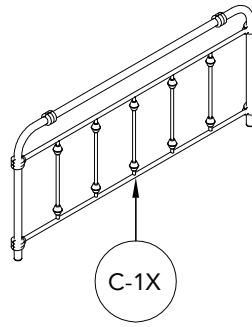
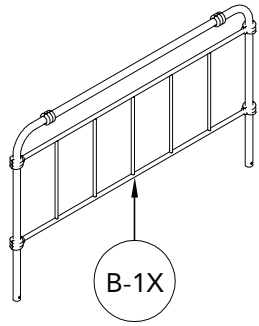
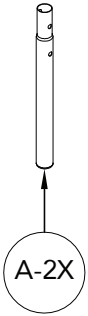
AVERTISSEMENTS!

- Ne vous assoyez pas sur les bras du fauteuil.
- Ce fauteuil a été conçu pour être utilisé par un individu à la fois.
- La capacité de poids maximale de ce fauteuil est 113 kg.
- Ne pas utiliser cet appareil près d'un feu ou d'une source d'eau.
- Ne faites pas tomber des objets tranchants tels que les couteaux, les épingles, les punaises, les aiguilles sur le fauteuil.
- Portez le fauteuil avec précaution lorsque vous le déplacez d'une position à l'autre.
- Ne pas traîner le fauteuil sur aucun type de sol.
- Ne pas sauter sur le fauteuil.
- Ne pas vous jeter avec votre poids et votre force sur le fauteuil pour éviter tout dévers.
- N'utilisez pas ce fauteuil sous la lumière directe du soleil et ne le placez pas devant un radiateur ou un climatiseur, cela pourrait rendre le tissu cassant et le décolorera.
- Ne laissez pas les enfants jouer sur le fauteuil ou près de celui-ci lorsqu'il est en utilisation. Des blessures graves peuvent se produire.
- Ce produit comporte des pièces mobiles, des blessures graves peuvent se produire, en cas de mauvaise utilisation.

INSTRUCTIONS DE NETTOYAGE

Pour : Saleté liquide, saleté non liquide

- L'enlèvement de saleté non liquide peut exiger l'utilisation d'une brosse douce.
- Nettoyant pour tissu et rembourrage à base de mélange d'eau avec 500 grammes d'eau tiède.
- Mouillez légèrement un tissu avec le mélange et essuyez doucement la zone sale. Évitez de frotter la zone à nettoyer de manière forte.
- Essuyez la zone avec un tissu propre imbibé d'eau. Assurez-vous d'enlever tous les résidus de savon.



Bolt
1/4" * 5/8"



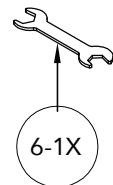
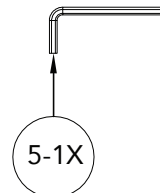
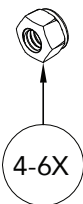
Bolt
1/4" * 1 13/16"



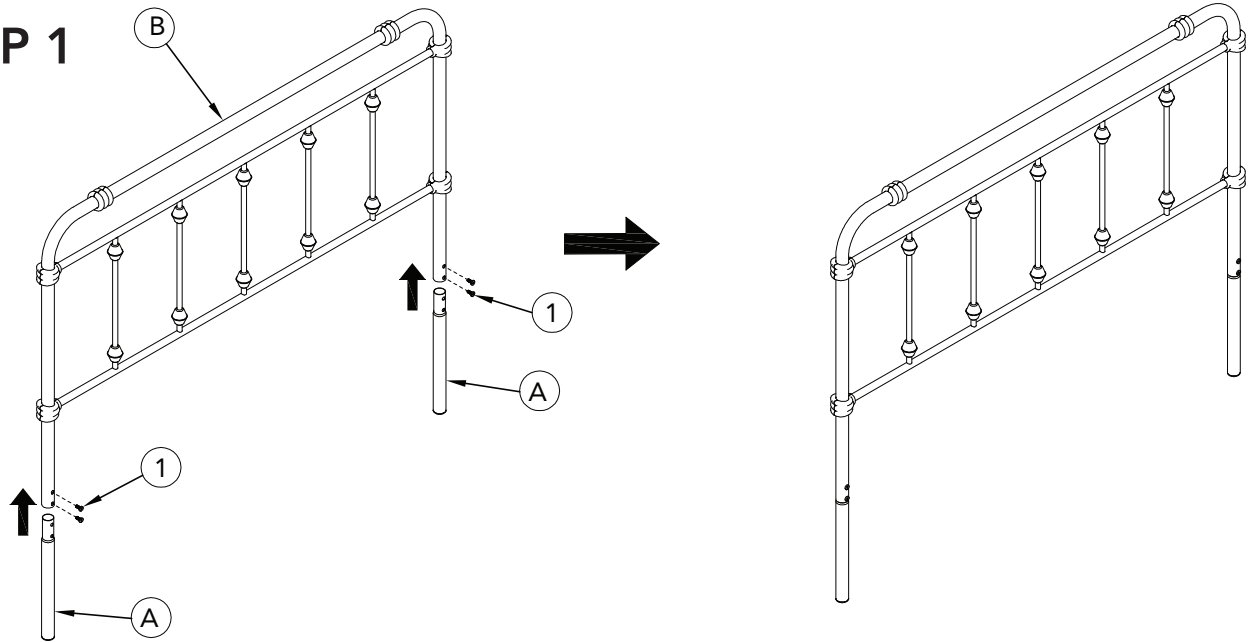
Bolt
1/4" * 1 2/5"



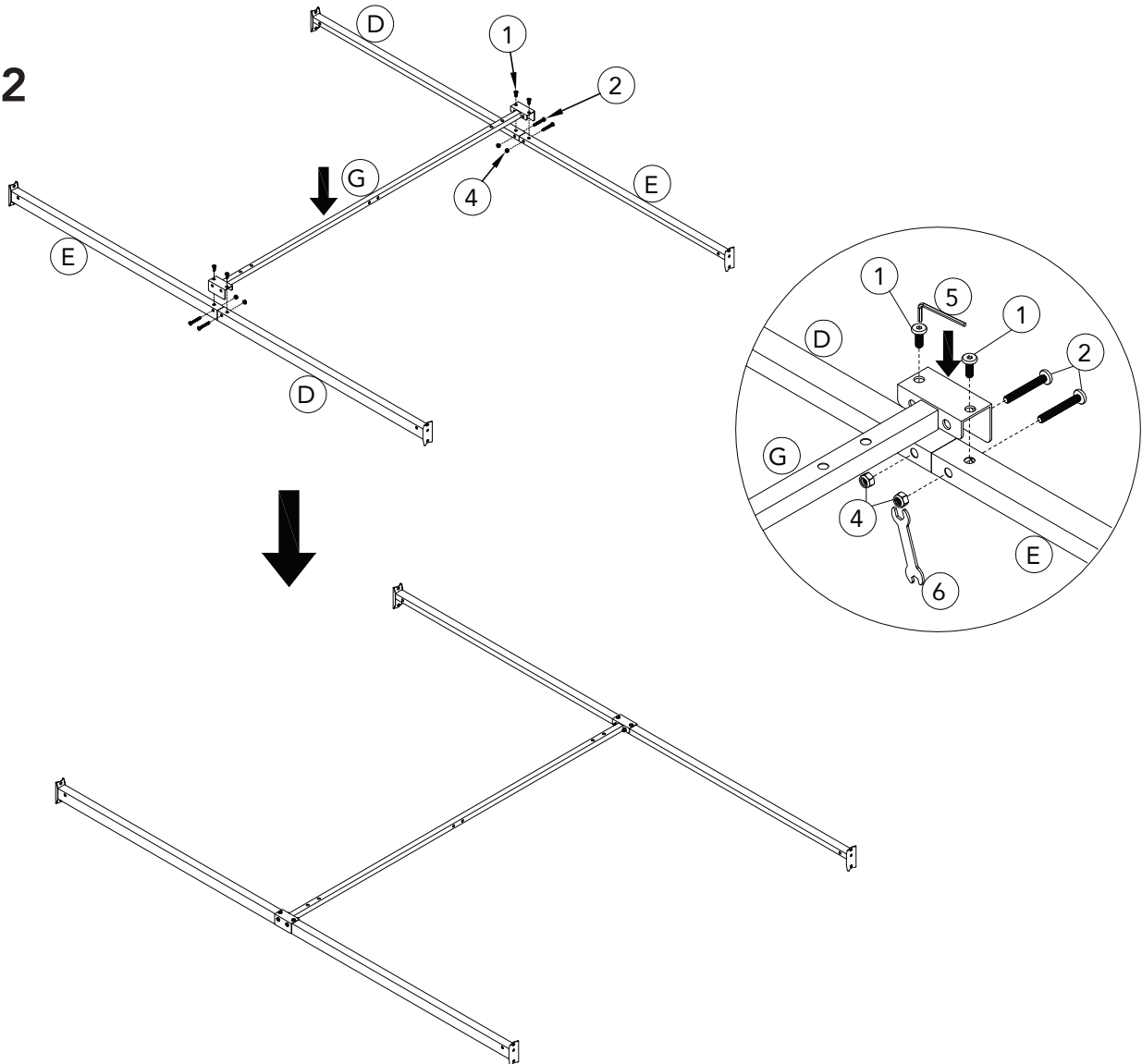
Nut
1/4"



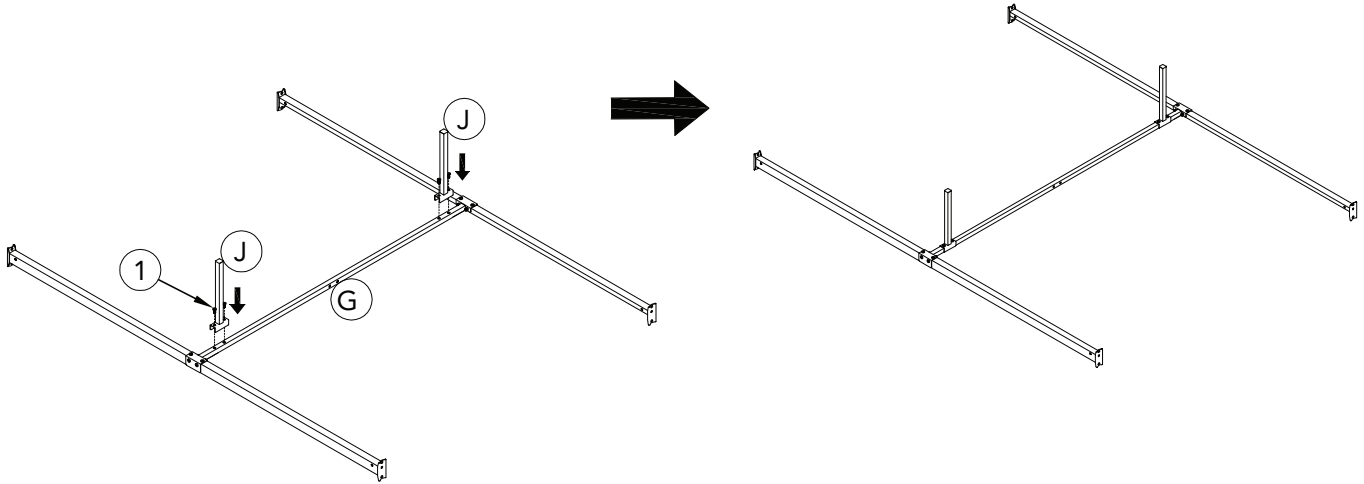
STEP 1



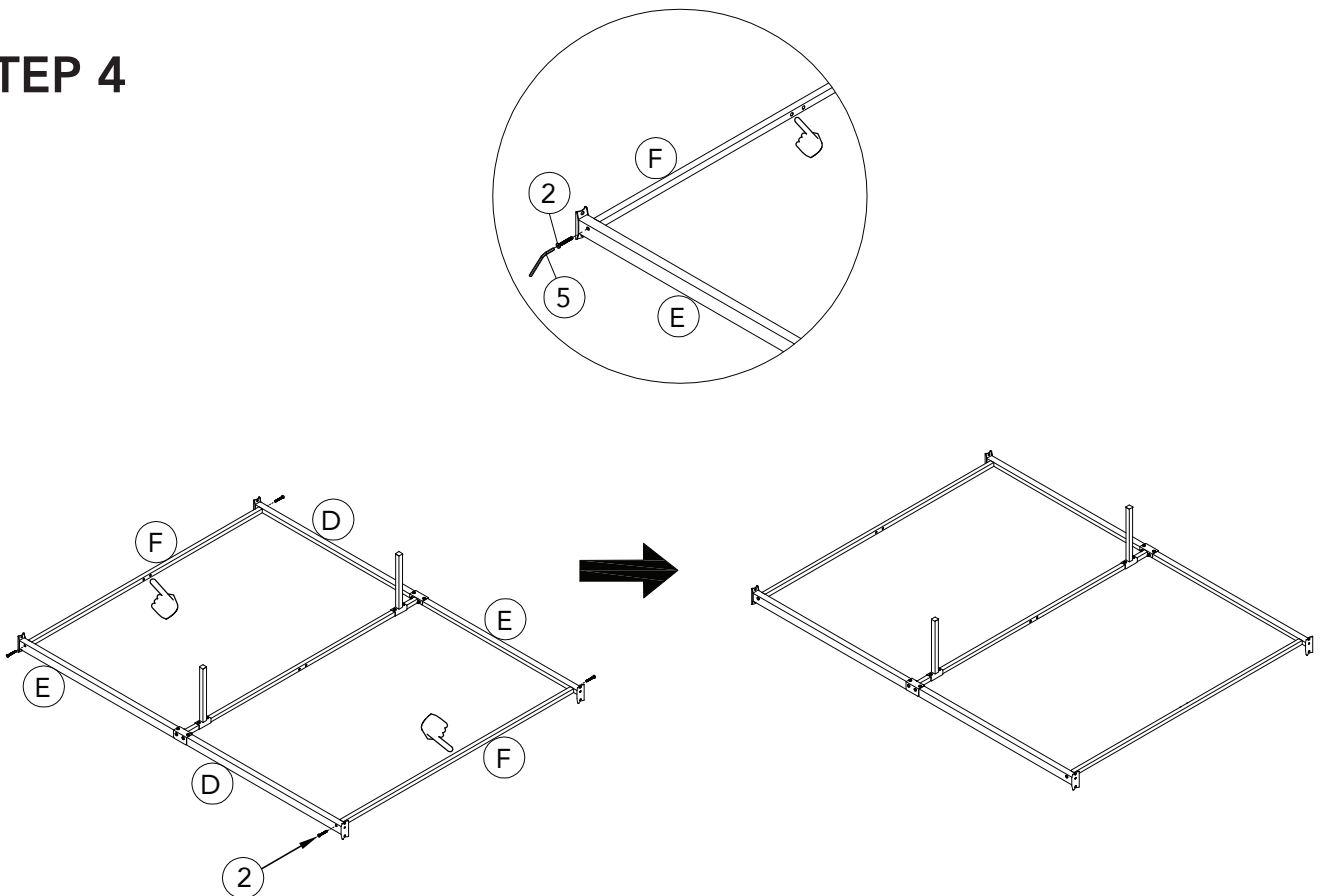
STEP 2



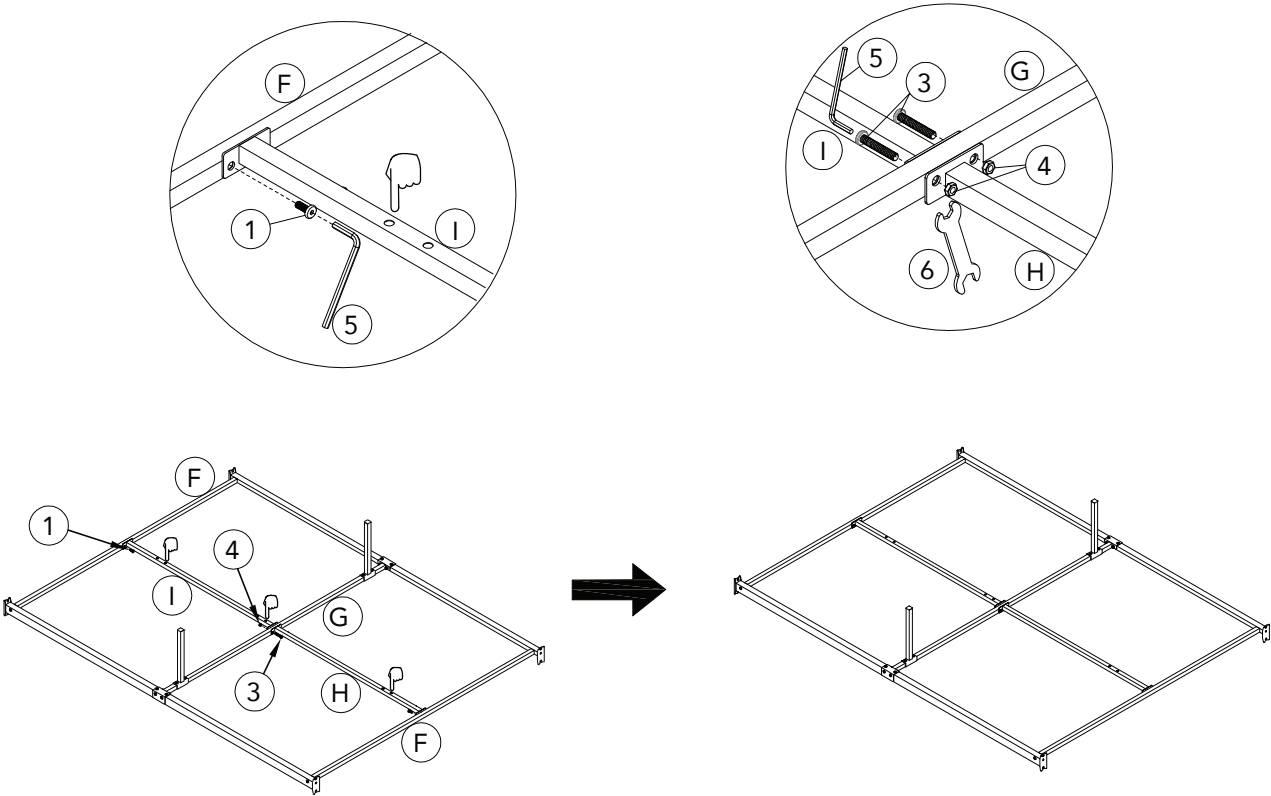
STEP 3



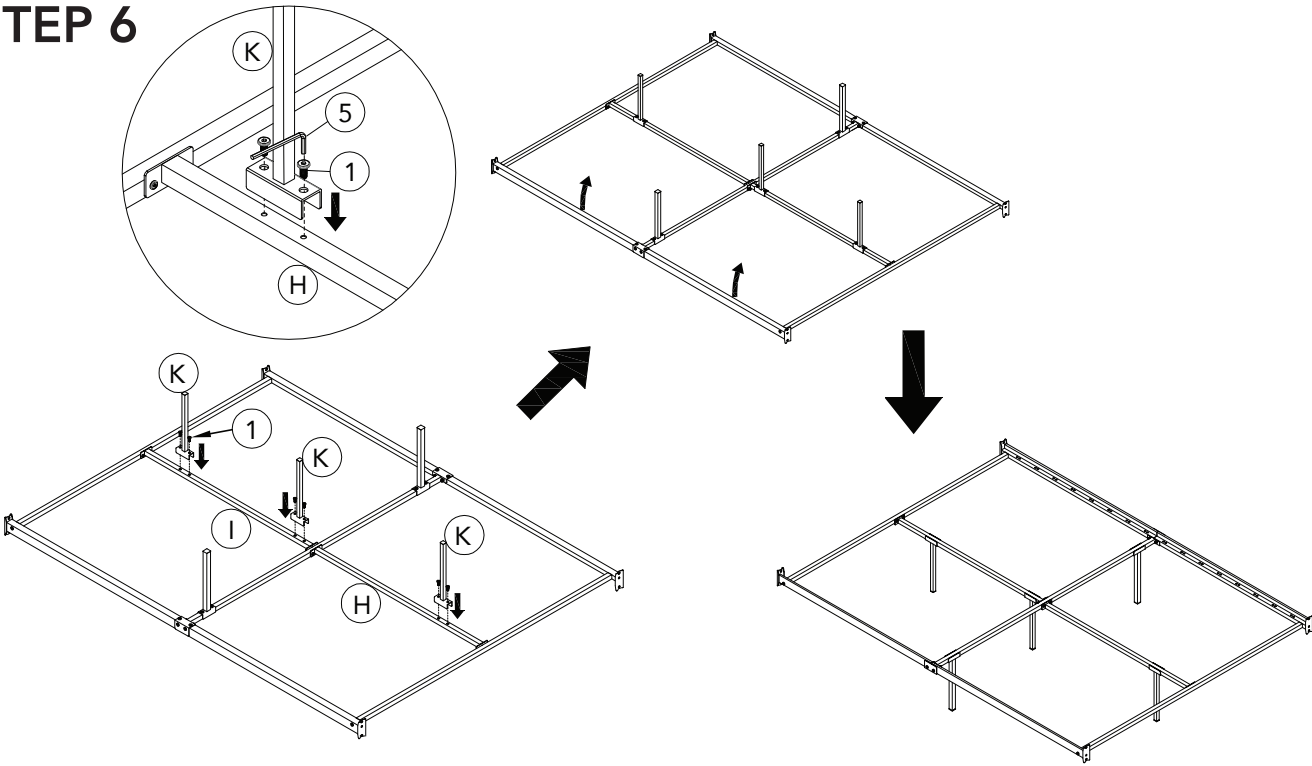
STEP 4



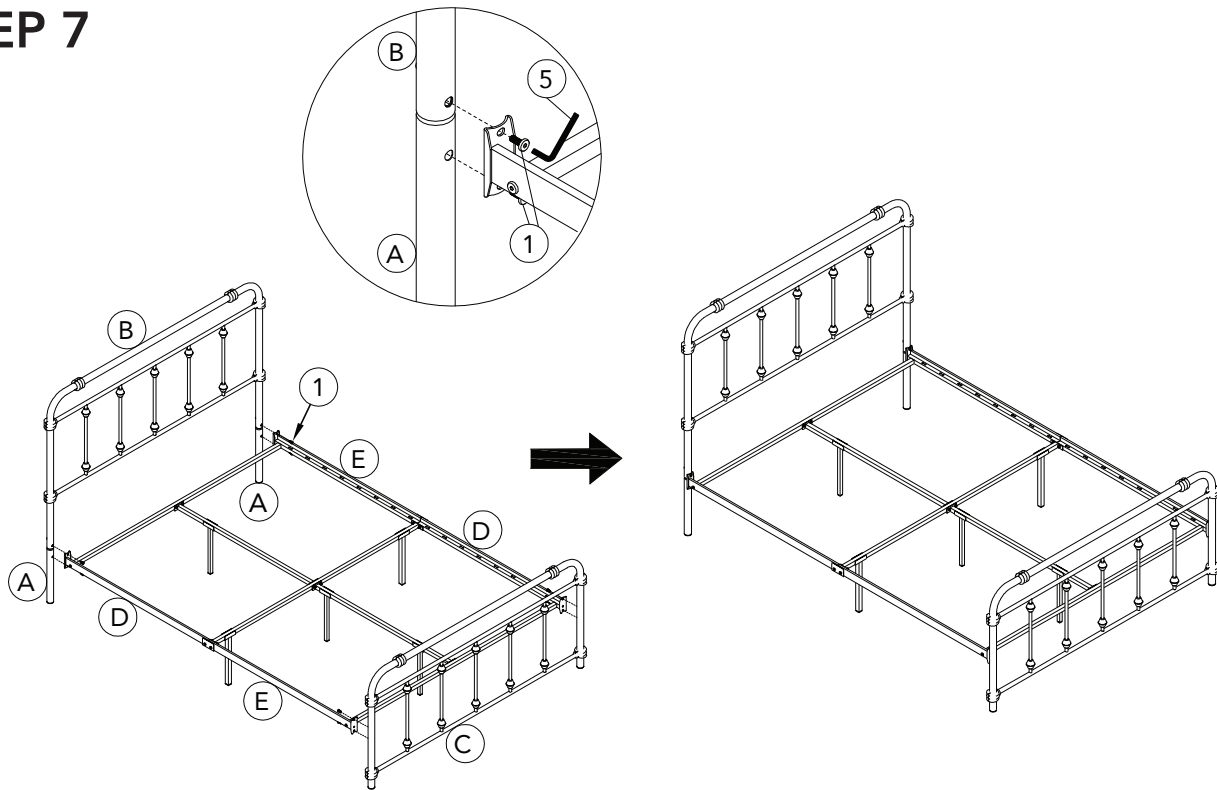
STEP 5



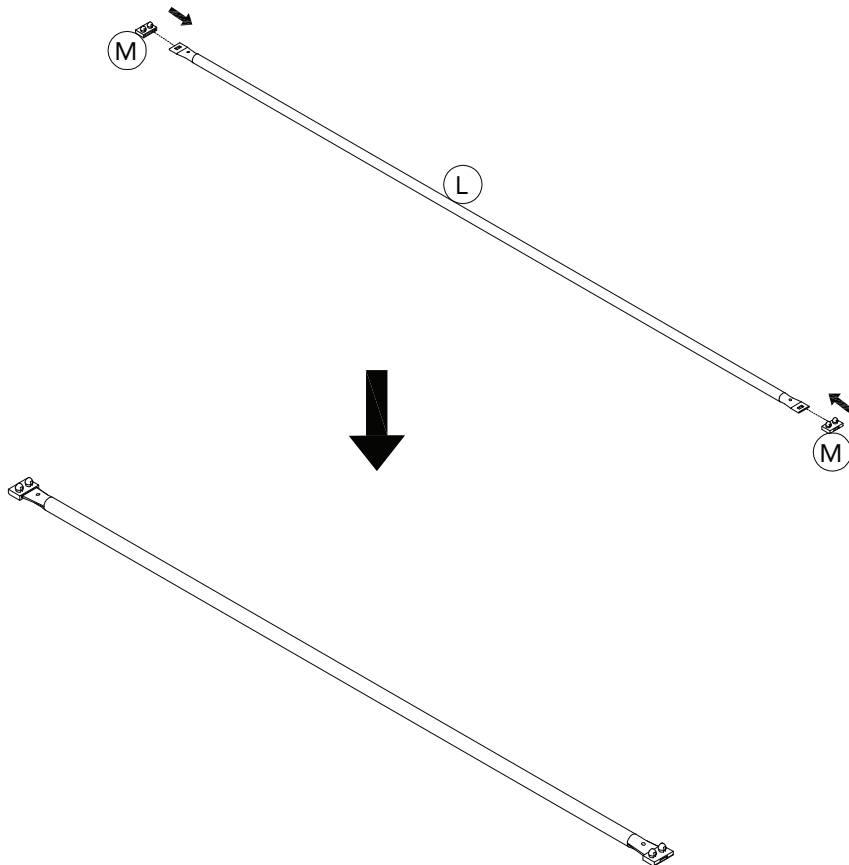
STEP 6



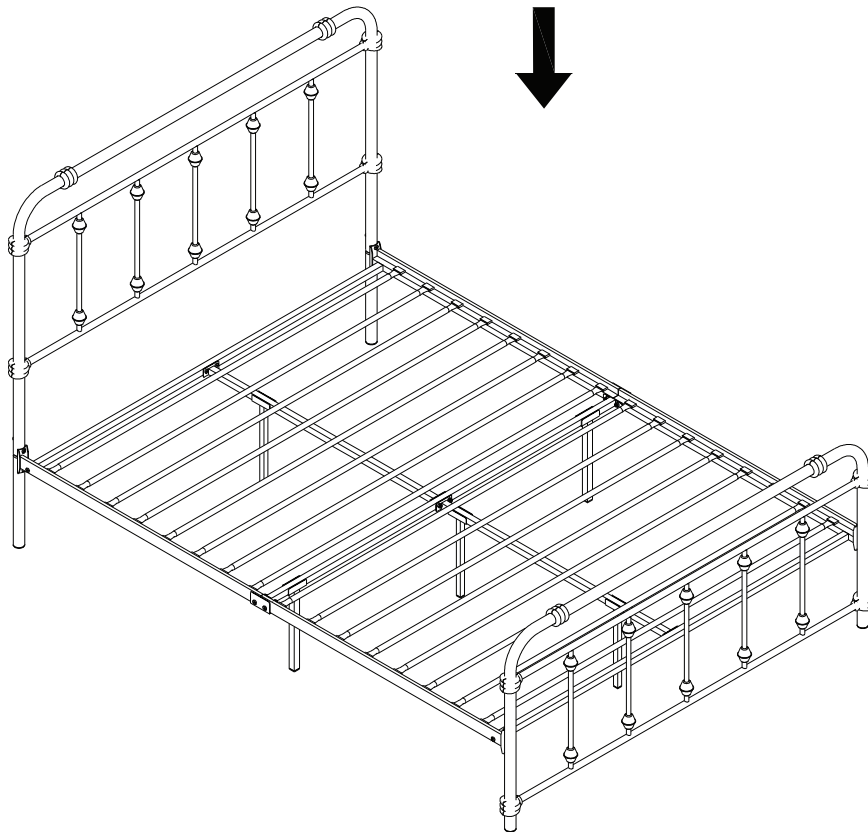
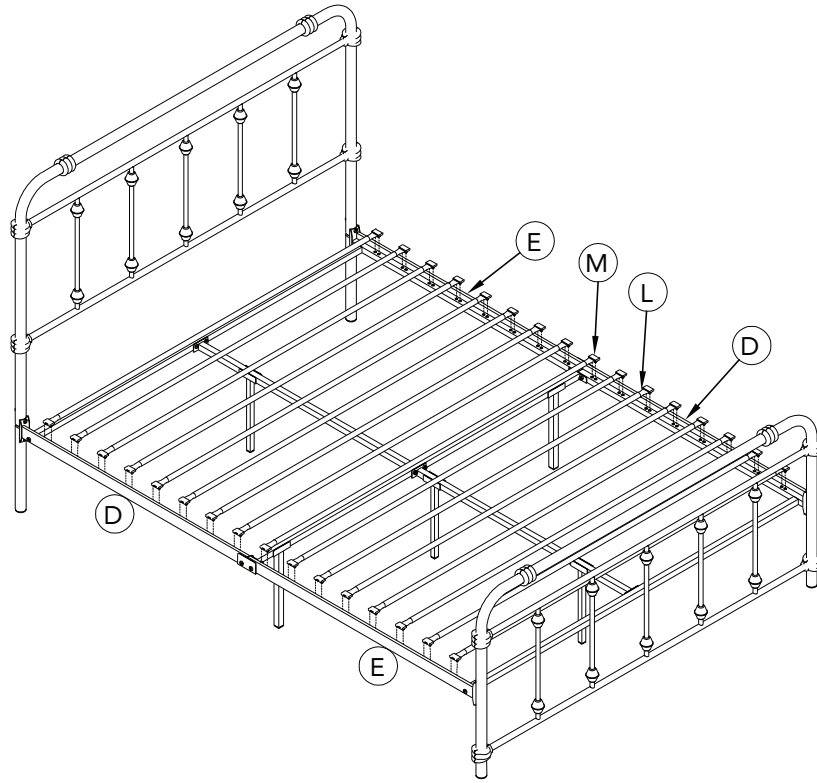
STEP 7



STEP 8



STEP 9



1 YEAR LIMITED WARRANTY

Warranted for a one (1) year period from the date of purchase against defects in materials and/or workmanship. Unless there is a clear warranty issue, the product are not returnable. During this warranty period, if the product is deemed to be defective, our responsibility for the defective product is limited to replacement as stated below. All transportation costs are the responsibility of the purchaser during the entire warranty period. This Limited Warranty does not apply to and is otherwise invalid as to the following, without limitation: (1) Normal wear and tear; (2) Normal soiling from everyday use; (3) Product used for commercial, institutional, or rental purposes; (4) Damage caused by structural problems or appliance malfunctions; (5) Damage caused by or related to fire, natural disaster, flood, theft, vandalism or other crimes, or any other loss that is covered under an insurance policy; (6) Damage caused by extraordinary use; (7) Damage occurred during moves between residences or while in storage; or (8) smoke, fire, floods, or other acts of God.

WE SHALL NOT BE LIABLE FOR INCIDENTAL OR CONSEQUENTIAL DAMAGES RESULTING FROM THE USE OF THIS PRODUCT OR ARISING OUT OF ANY BREACH OF THIS WARRANTY AND THE EXCLUSIVE REMEDY FOR BREACH OF THIS WARRANTY SHALL BE REPLACEMENT OF THE PRODUCT. THE EXPRESS LIMITED WARRANTY SET FORTH HEREIN IS THE SOLE WARRANTY GIVEN BY US, SHALL ONLY EXTEND TO THE ORIGINAL PURCHASER AND SHALL NOT EXTEND TO ANY SUBSEQUENT OWNER OR OTHER TRANSFEREE OF THE PRODUCT. THE REMEDIES DESCRIBED ABOVE ARE YOUR SOLE AND EXCLUSIVE REMEDIES AND OUR ENTIRE LIABILITY FOR ANY BREACH OF THIS LIMITED WARRANTY. OUR LIABILITY SHALL UNDER NO CIRCUMSTANCES EXCEED THE ACTUAL AMOUNT PAID BY YOU FOR THE DEFECTIVE PRODUCT. FOR SALES TO ANY PURCHASER, OTHER THAN THE ORIGINAL PURCHASER (AS DEFINED HEREIN), ALL IMPLIED WARRANTIES INCLUDING, BUT NOT LIMITED TO, ANY IMPLIED WARRANTY OF MERCHANTABILITY OR FITNESS FOR A PARTICULAR PURPOSE OR USE, ARE EXCLUDED AND DISCLAIMED. This Limited Warranty is made exclusively by us and is not made on behalf of its distributors or any other party and no one is authorized to assume or undertake for any other liability in connection with the sale of the product. Some jurisdictions do not allow for the disclaimers of implied warranties or the exclusion of limitation of incidental or consequential damages, so the above limitations may not apply to you. In the event that the disclaimer of implied warranties is not applicable to you, then such implied warranties shall only remain in effect during the limited warranty period. All determinations of applicability and validity of warranty claims hereunder are solely at the our discretion and such determination shall be final. THIS LIMITED WARRANTY IS NON-TRANSFERRABLE. The limited warranty set forth in this certificate apply only to the product accompanied by this Limited Warranty Certificate. This limited warranty gives you legal rights and you may have other rights which vary from state to state. This limited warranty shall be interpreted in accordance with the laws of the State of Maryland, without regard to provisions concerning conflict of laws. We reserve the right to revise, cancel, or amend its warranties offered to products sold in the future. The limited warranty set forth herein is valid and applicable to the product accompanied by this Warranty Certificate.

WARRANTY CLAIMS PROCEDURE: Should a warranty claim arise, the original purchaser shall contact us for a Warranty Claim Form and Instructions. The original purchaser shall complete the Warranty Claim Form, clearly detailing the defect, and email along with a copy of original sales receipt for the Product or as otherwise directed on the Warranty Claim Form. Warranty Claim Forms that are incomplete or sent without a copy of original sales receipt will not be processed and will be returned. Upon receipt by us of the completed Warranty Claim Form and the original sales receipt, quality control department will verify the defect and/or the applicability of this Limited Warranty thereto. In the event that this Limited Warranty is applicable, a replacement product of equal or greater value will be sent to the customer. The original purchaser will be responsible for shipping, handling and processing fees. No monetary refunds and/or credits will be issued. Please retain this warranty and your original invoice for one (1) year.