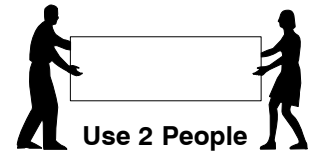
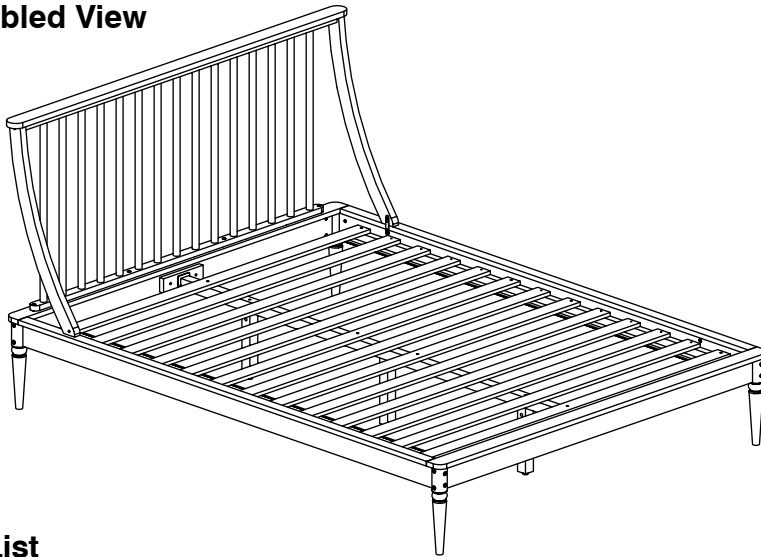


0064 Queen Bed

Assembly Instructions

WI-1220

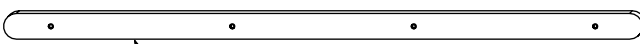
1 Assembled View



Note: Do not assemble using power tools. This can cause the bolts to be overtightened

2 Parts List

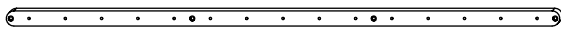
Parts in Box A:



A Headboard Top x 1



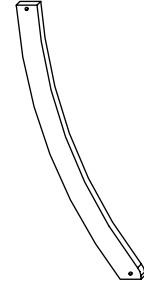
B Headboard Top Rail x 1



C Headboard Bottom Rail x 1



D Headboard Spinder x 15



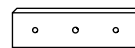
E Headboard Side Bar x 2

Parts in Box B:



F Headboard Panel x 1

Extra Holes



K Head / Footboard Support x 2



G Footboard Panel x 1



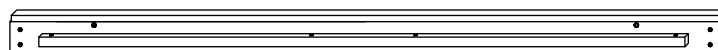
L Post (Left Hand) x 2



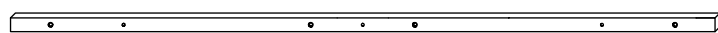
M Post (Right Hand) x 2



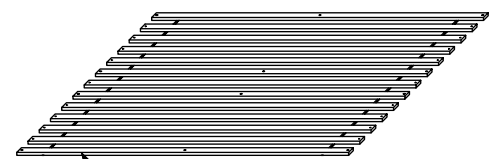
N Support Leg x 3



H Side Rail x 2



J Long Support x 1



O Set of Bed Slats x 1

0064 Queen Bed

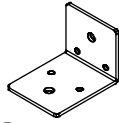
Assembly Instructions

WI-1220

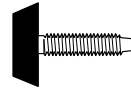
3 Hardware List



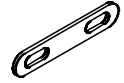
1 M4 Allen Key
x 1



2 Center Rail
Bracket x 2



3 Adjustable
Foot x 3



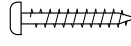
4 Bracket (2003)
x 2



5 Wood Dowel
(M10 x 40mm) x 8



6 Barrel
Nut x 19



7 Wood Screw
(M4 x 32mm) x 18



8 M6 JCN Nut
x 2



9 M6 x
15mm JCB
x 6



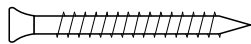
10 M6 x
25mm JCB
x 2



11 M6 x
30mm JCB
x 12



12 M6 x
40mm JCB
x 14

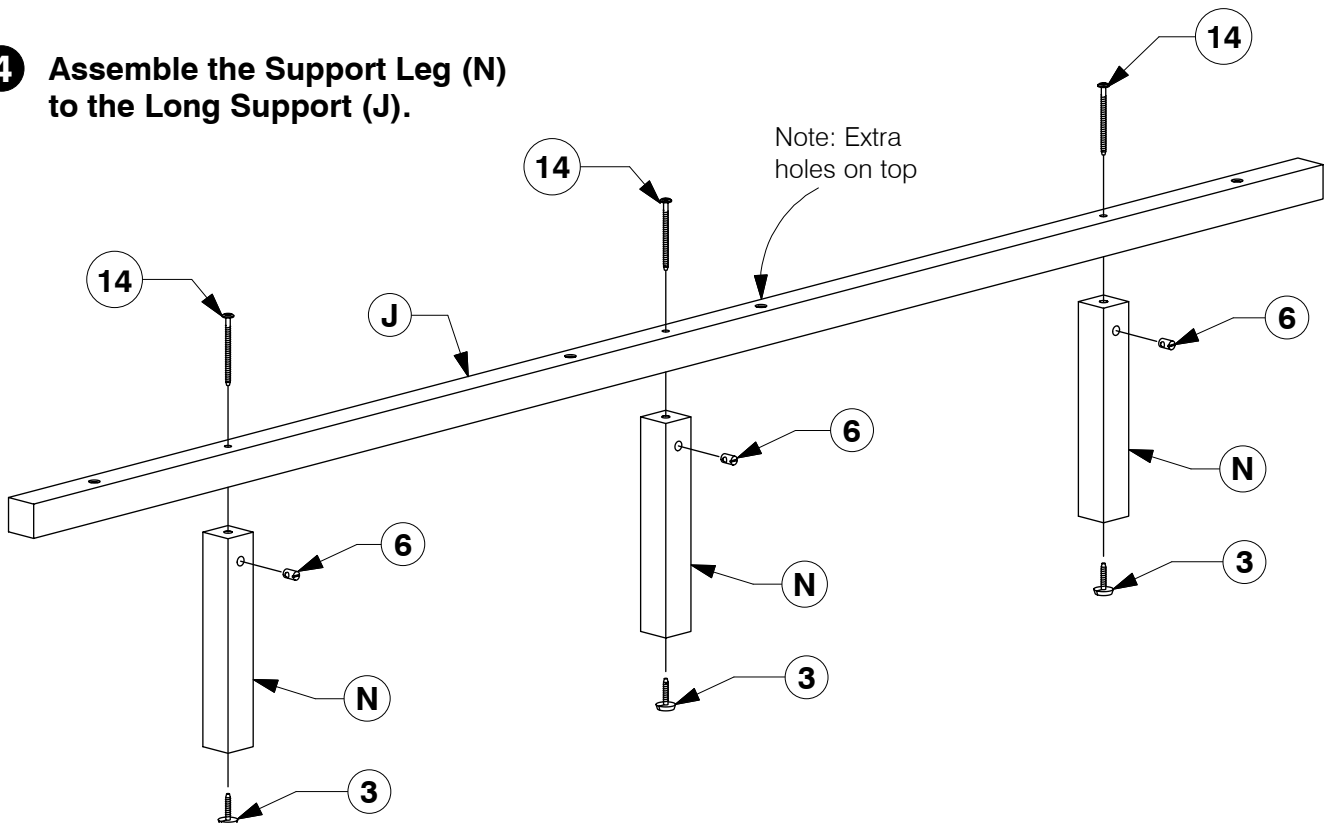


13 CSK Cap Wood Screw
(M6 x 50mm)
x 30



14 M6 x 90mm JCB
x 19

4 Assemble the Support Leg (N) to the Long Support (J).

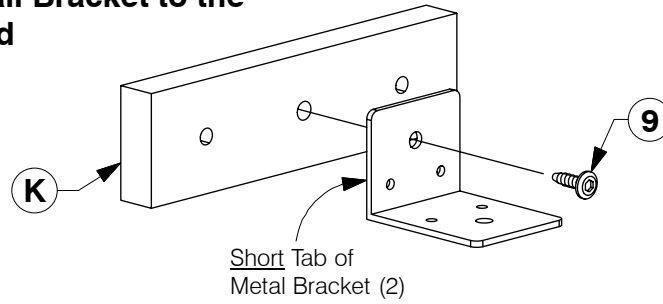


0064 Queen Bed

Assembly Instructions

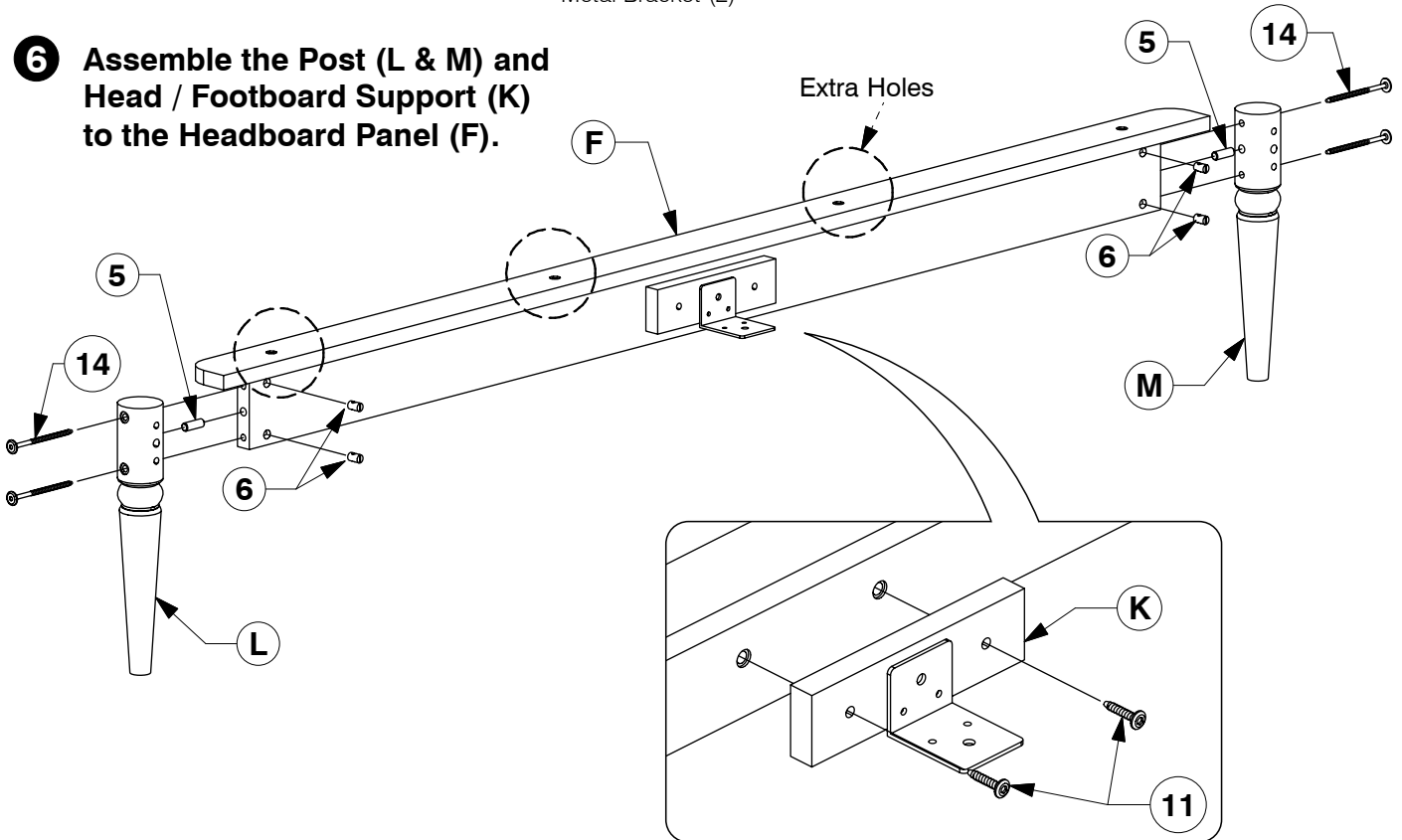
WI-1220

- 5** Fit the Center Rail Bracket to the Head / Footboard Support (K).

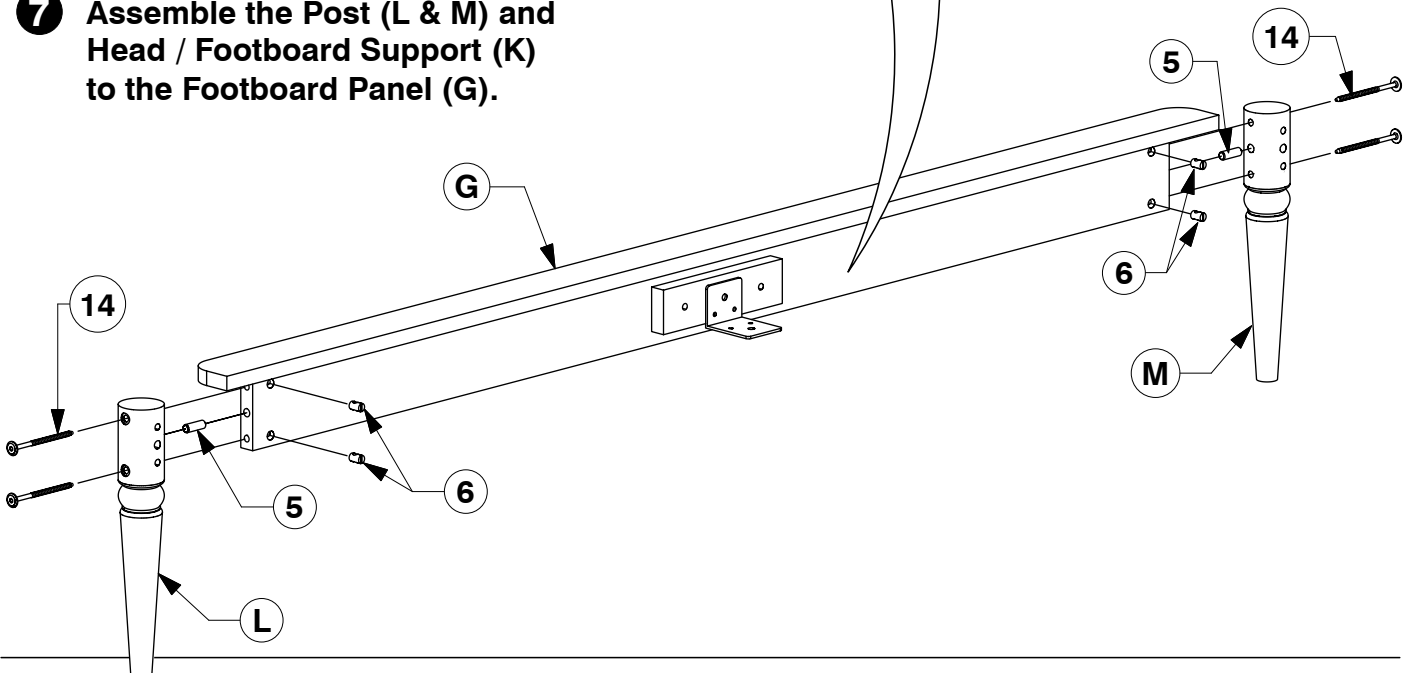


x2

- 6** Assemble the Post (L & M) and Head / Footboard Support (K) to the Headboard Panel (F).



- 7** Assemble the Post (L & M) and Head / Footboard Support (K) to the Footboard Panel (G).

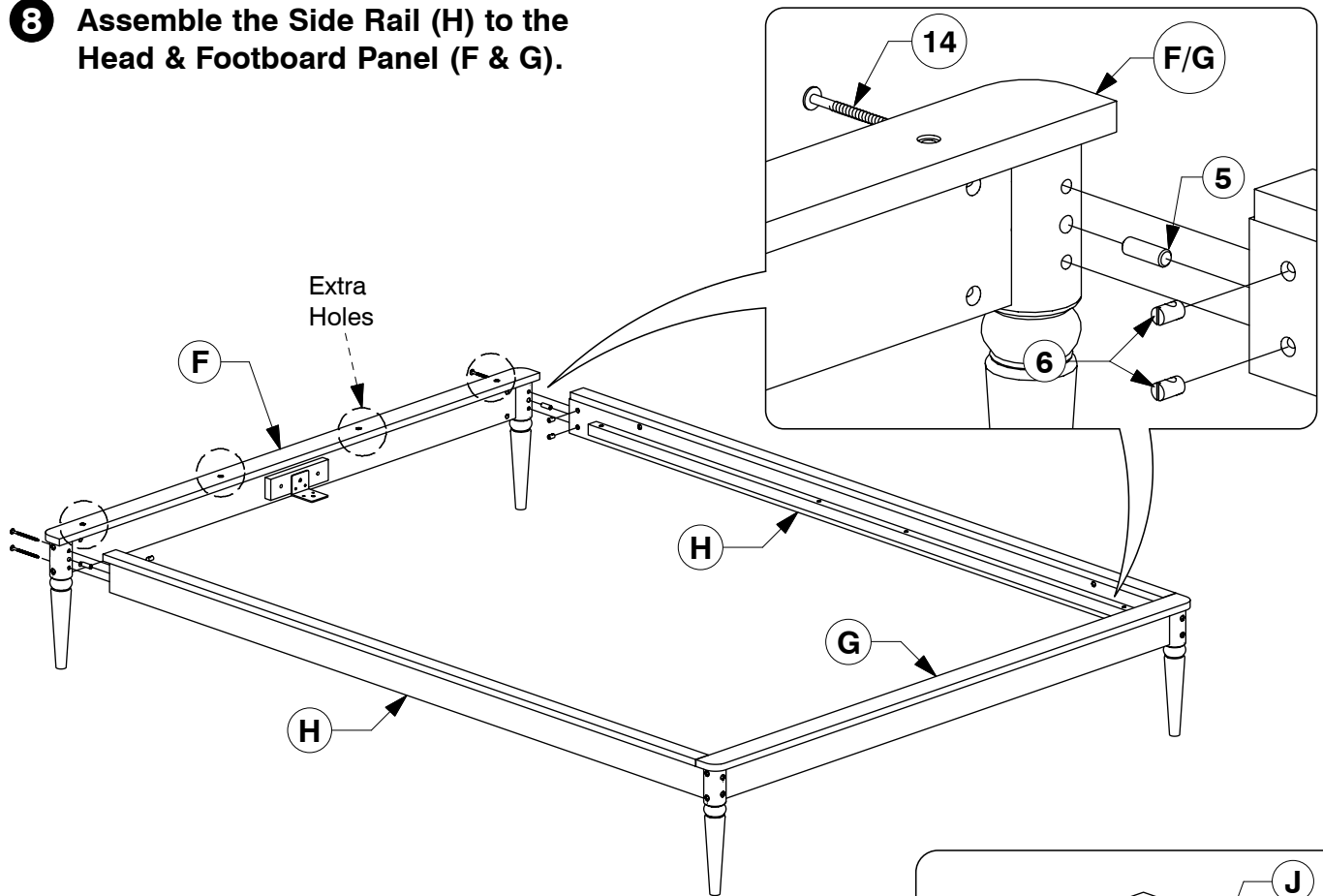


0064 Queen Bed

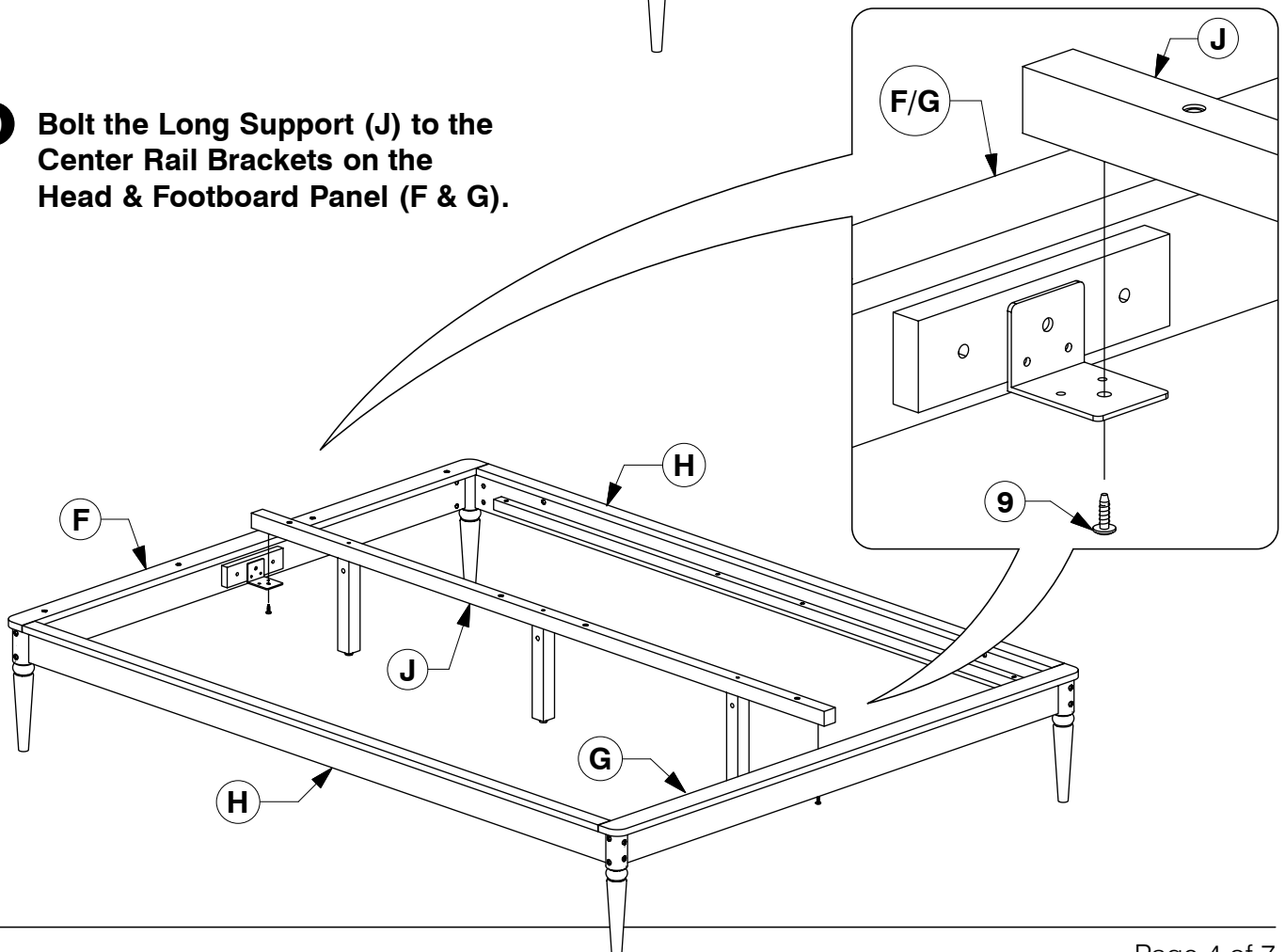
Assembly Instructions

WI-1220

- 8** Assemble the Side Rail (H) to the Head & Footboard Panel (F & G).



- 9** Bolt the Long Support (J) to the Center Rail Brackets on the Head & Footboard Panel (F & G).

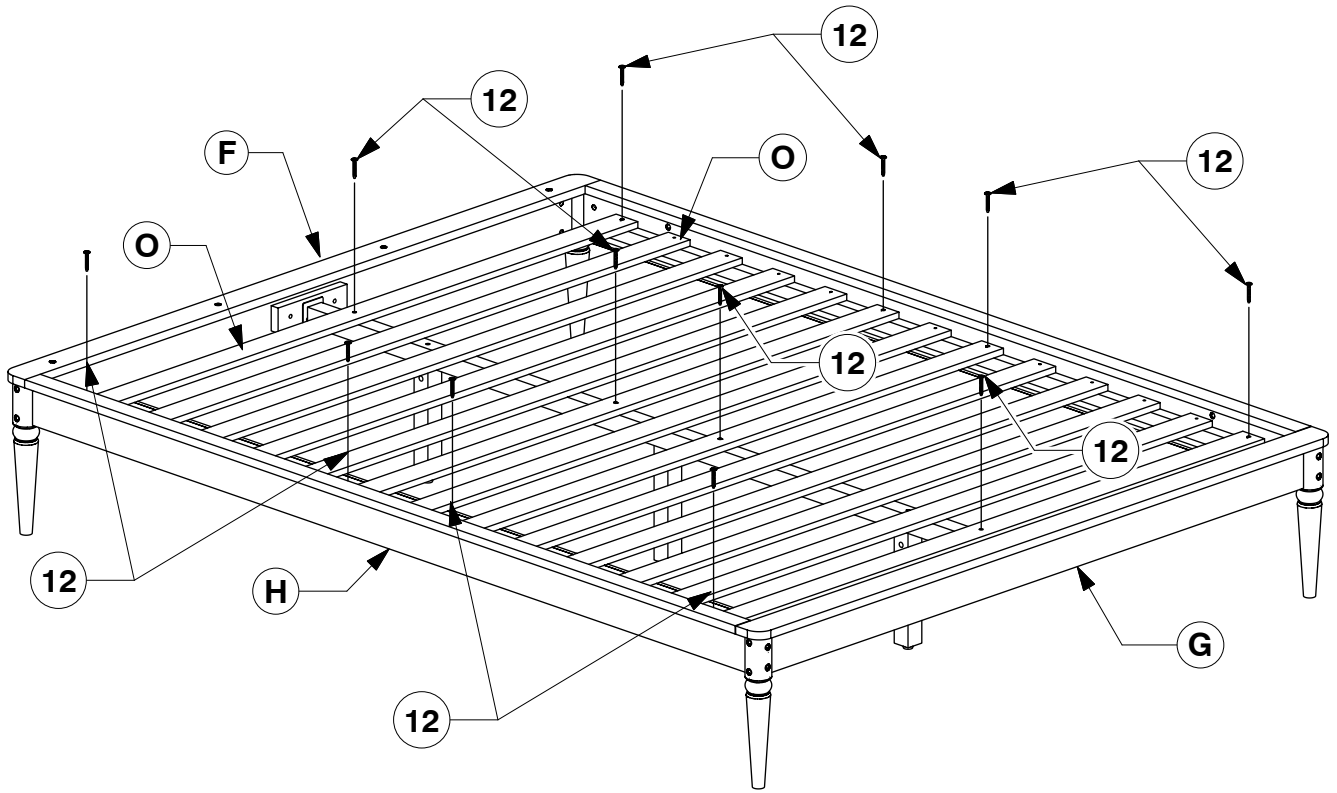


0064 Queen Bed

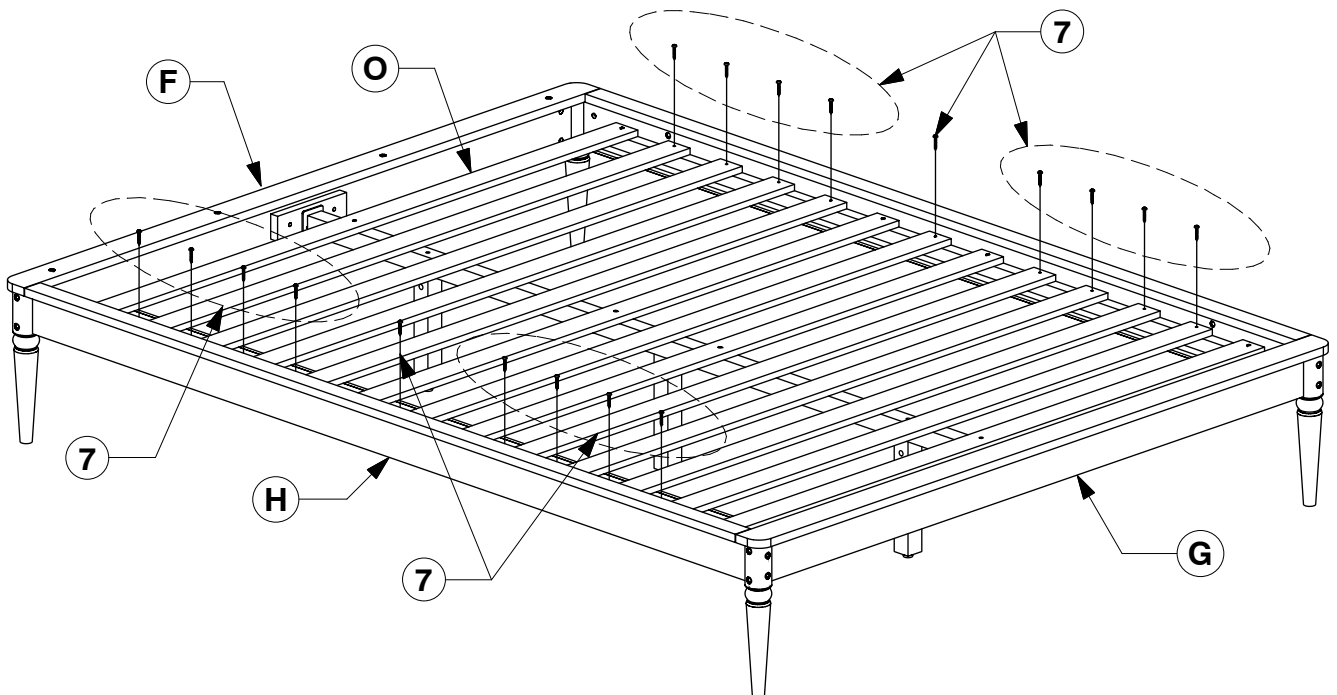
Assembly Instructions

WI-1220

- 10** Bolt the Bed Slats (O) to the Side Rail (H).



- 11** Screw the Bed Slats (O) to the Side Rail (H).

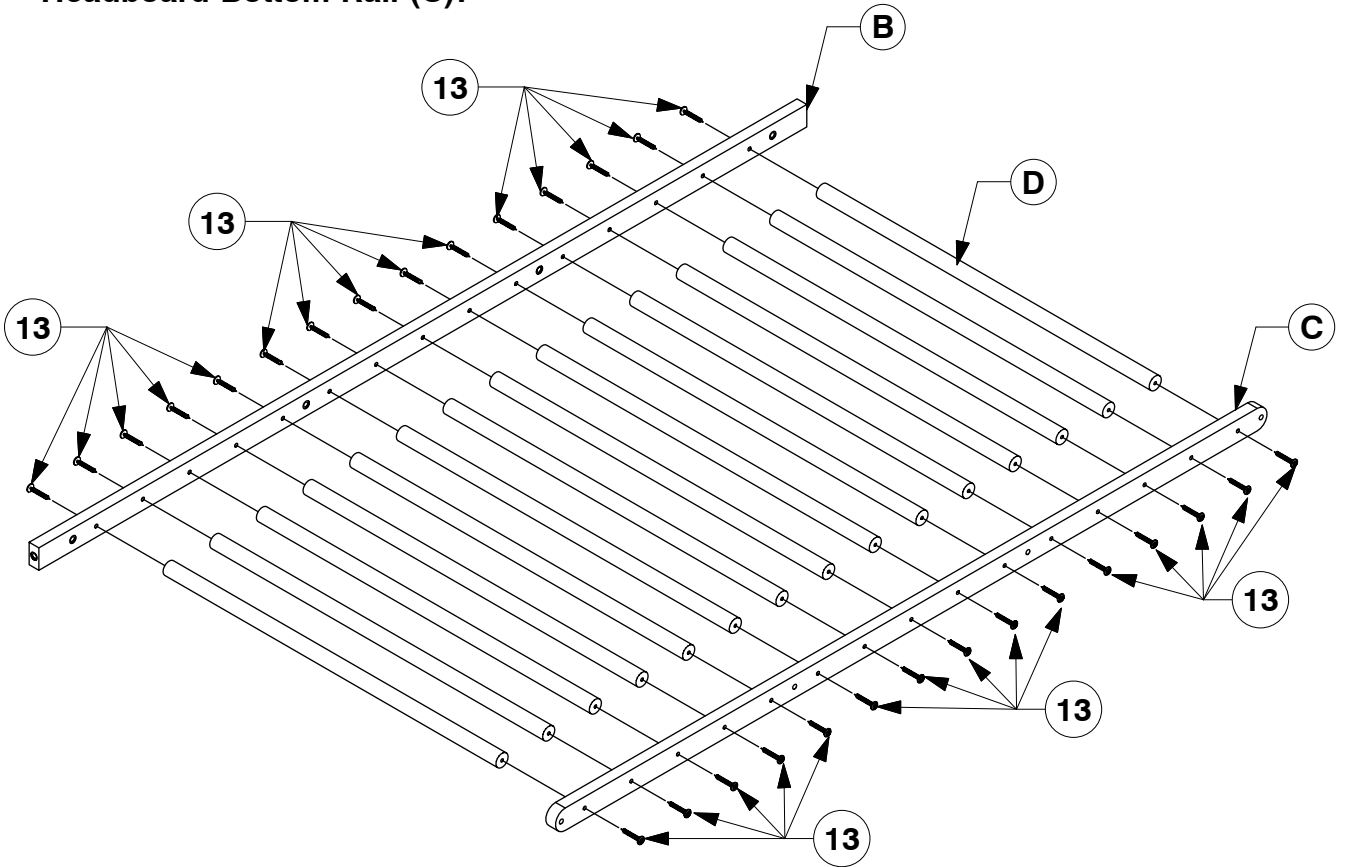


0064 Queen Bed

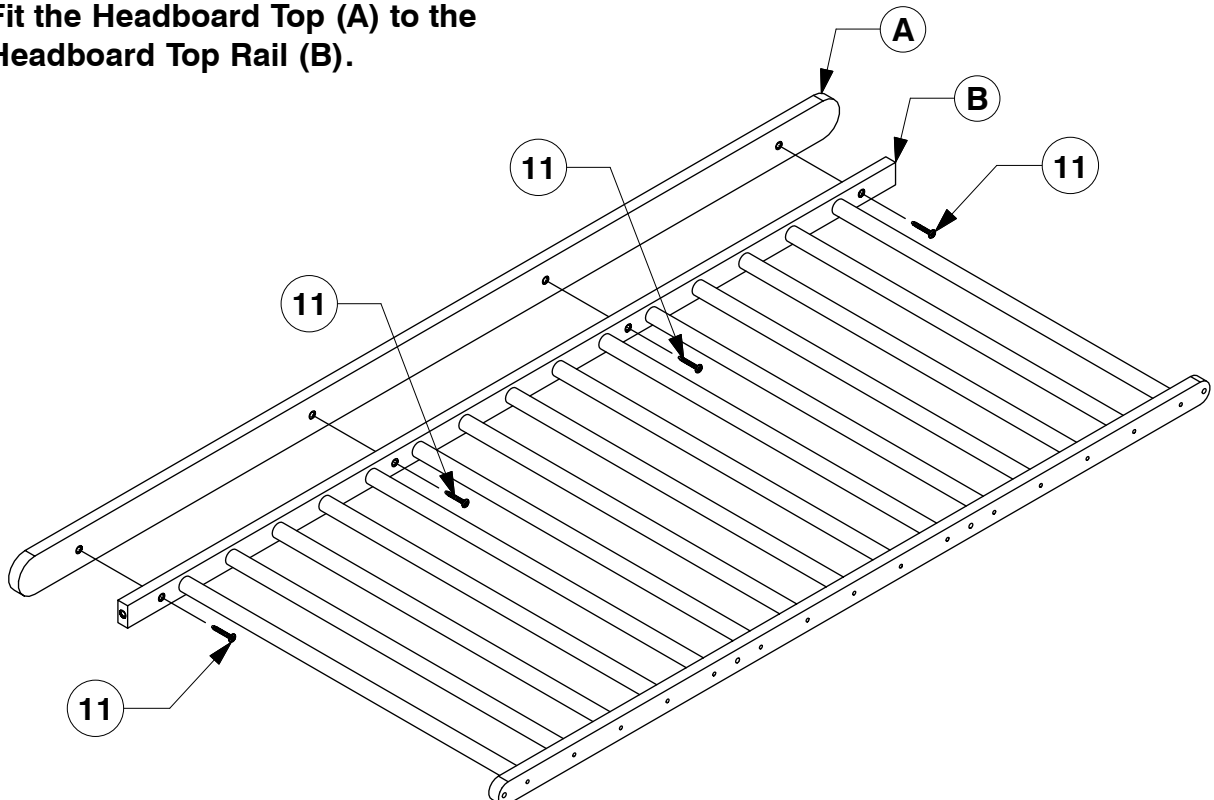
Assembly Instructions

WI-1220

- 12** Fit the Headboard Spinder (D) to the Headboard Top Rail (B) & Headboard Bottom Rail (C).



- 13** Fit the Headboard Top (A) to the Headboard Top Rail (B).

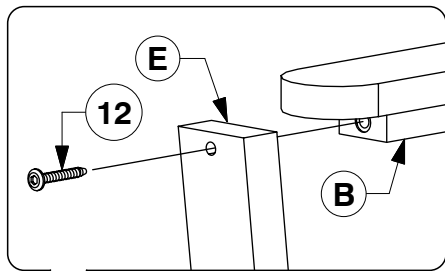
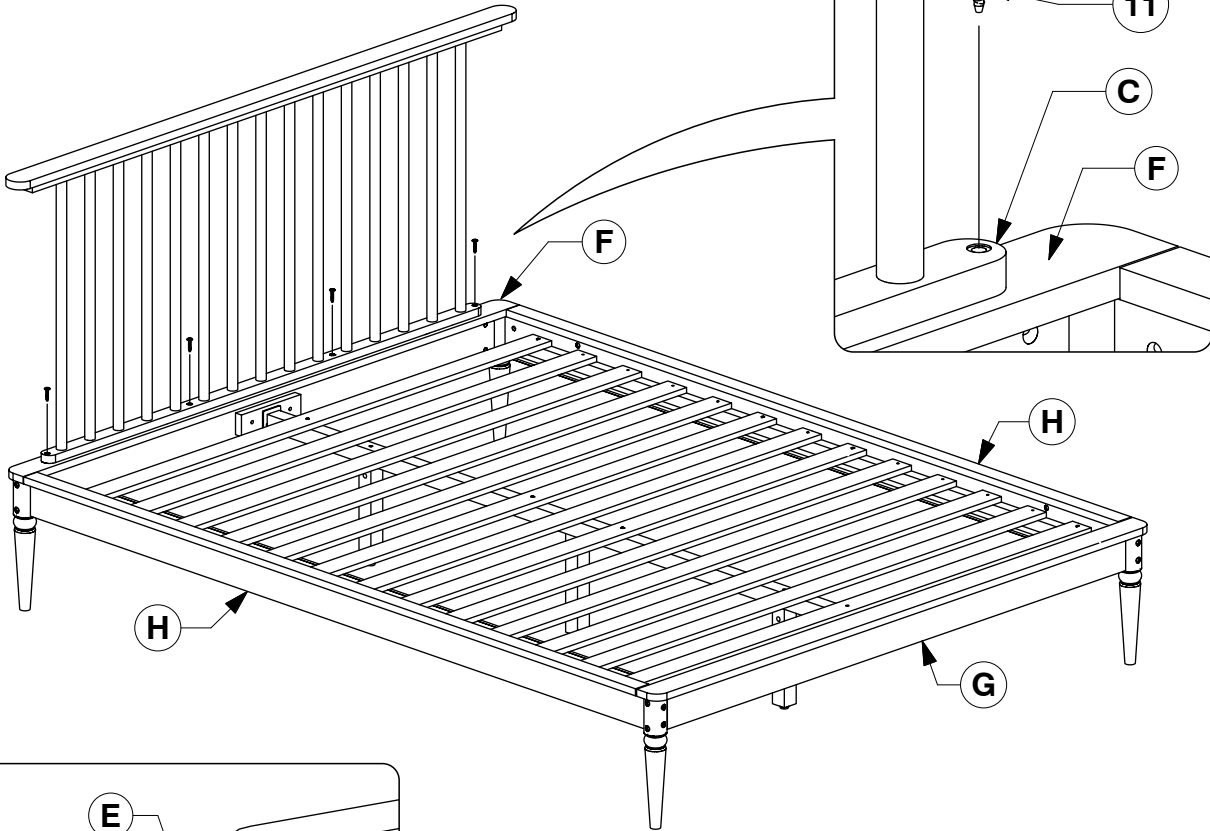


0064 Queen Bed

Assembly Instructions

WI-1220

- 14** Assemble the Headboard to the Headboard Panel (F).



- 15** Fit the Headboard Side Bar (E) to the Headboard Top Rail (B) & Side Rail (H).

