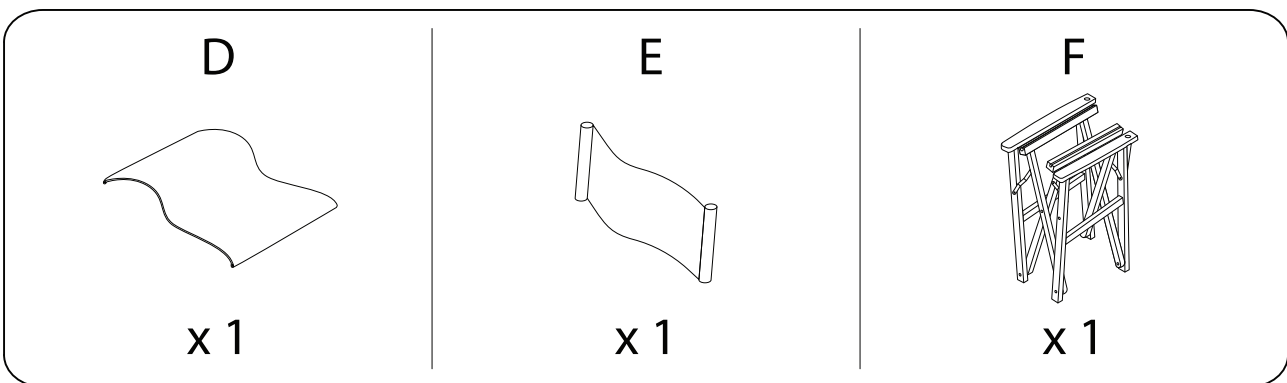
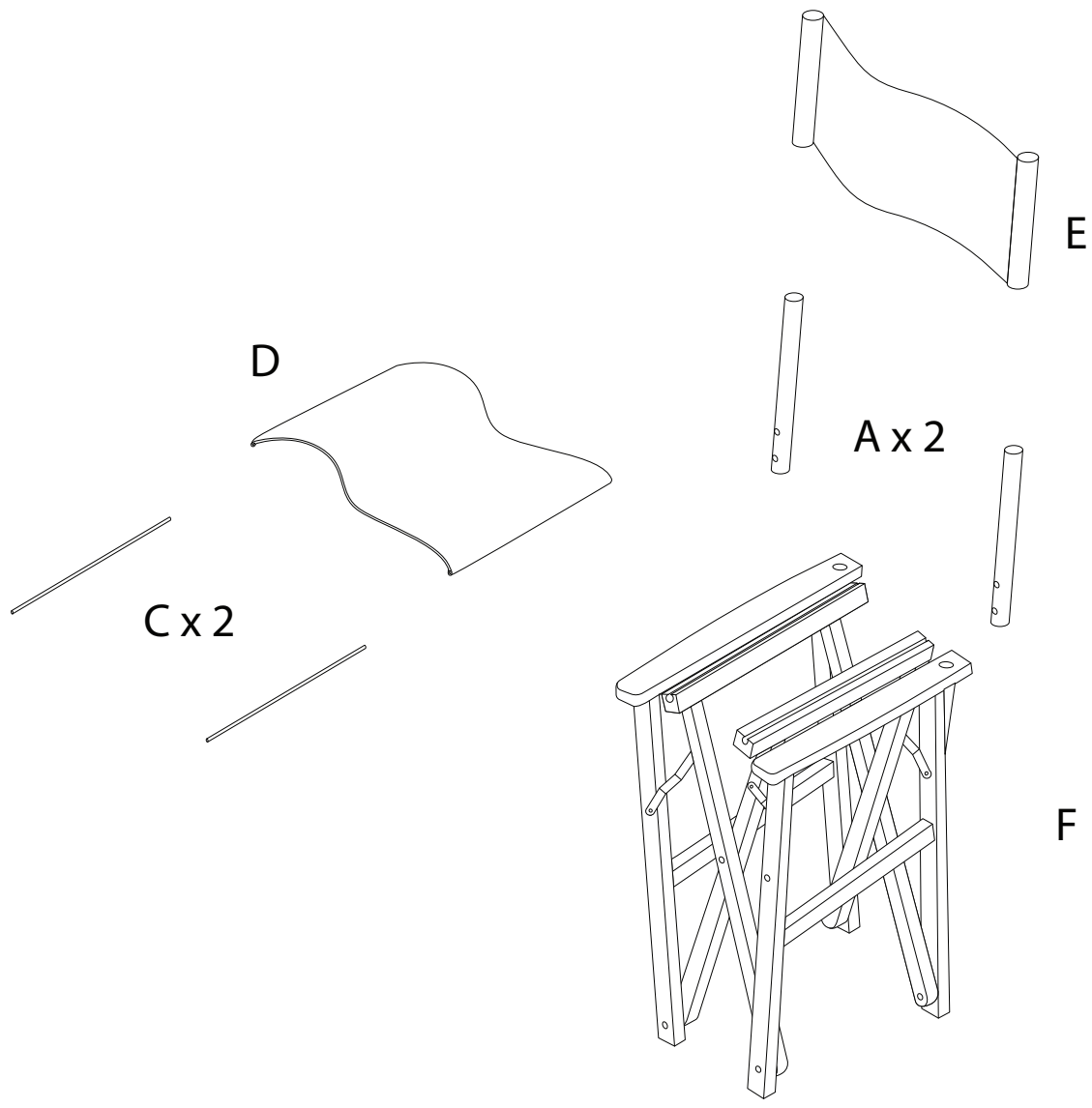
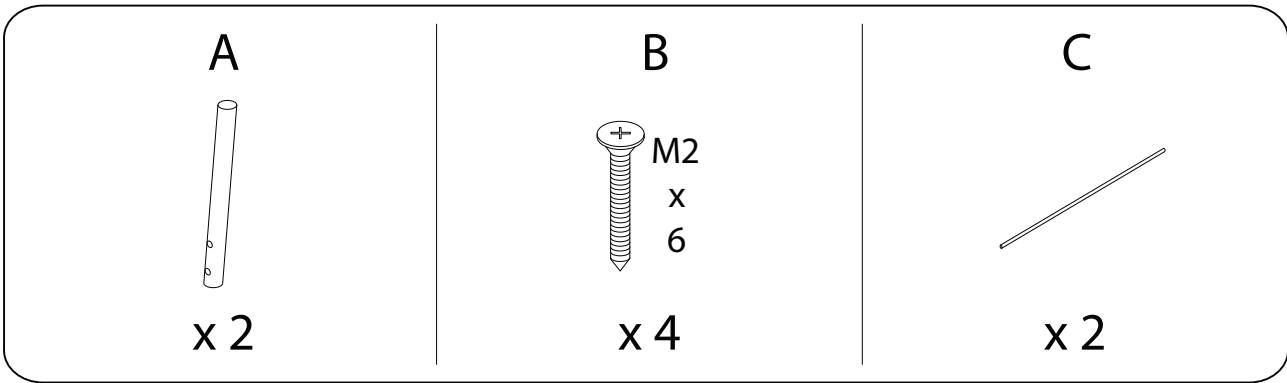


Assembly instructions for step 1/4:

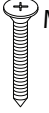
- Tools:** A circular icon shows a screwdriver. A power drill icon is crossed out with a diagonal line, indicating it should not be used.
- Warning:** A triangle with an exclamation mark points to the tool instructions.
- Time:** A clock icon indicates a 30-minute assembly time.
- Personnel:** A stick figure icon indicates that 1 person is required for assembly.
- Warning:** A second triangle with an exclamation mark points to the personnel requirement.



1

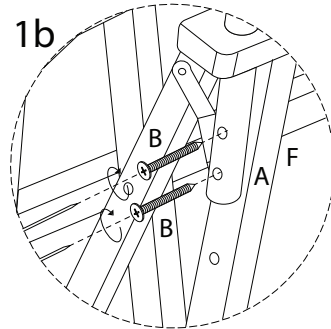
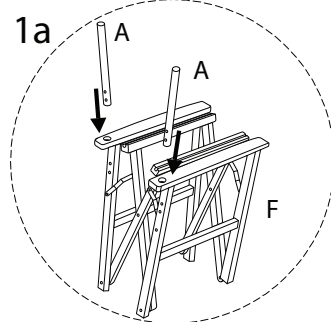
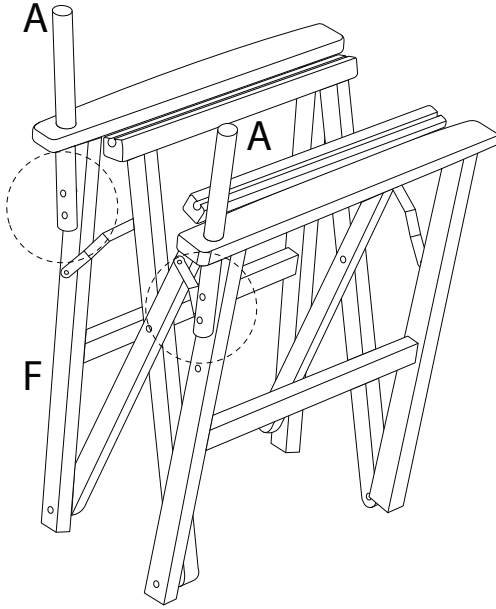
A

x 2


B

M2
x 6
x 4

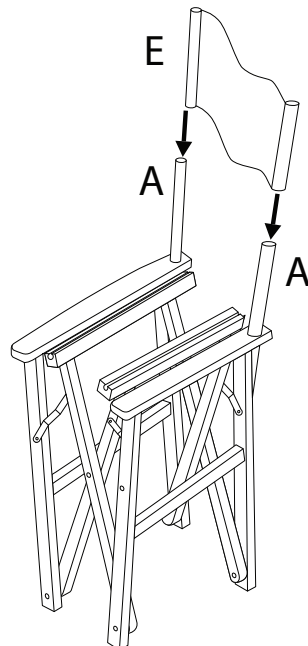
F

x 1

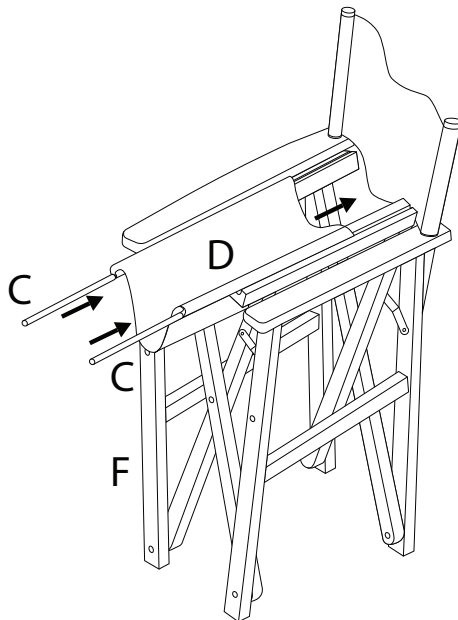
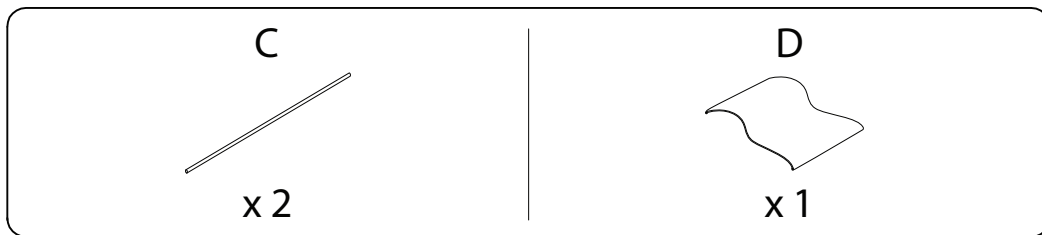


2

E

x 1



3



4

