

ASSEMBLY INSTRUCTIONS



CAUTION

◆ Inspect the wire insulation for any cuts, abrasions, or exposed copper that may have resulted during shipping. If there is a defect in the wire, do not attempt installation.

◆ Before starting installation of this fixture or removal of a previous fixture, disconnect the power by turning off the circuit breaker or by removing the fuse at the fuse box.

TOOLS REQUIRED



Ladder

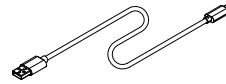
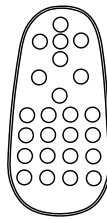
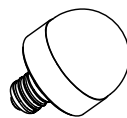
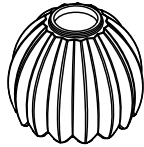
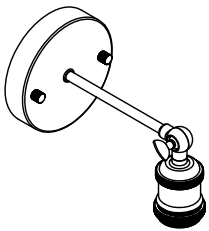


Safety glasses



Phillips screwdriver

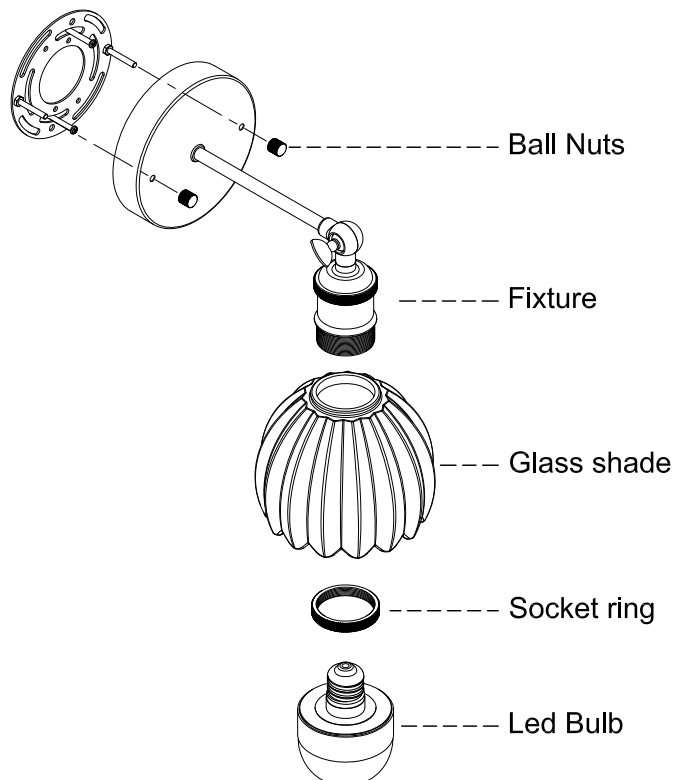
HARDWARE INCLUDED

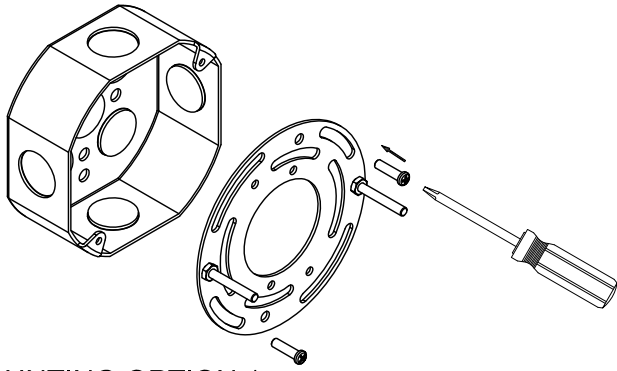


PARTS SHOWN MAY DIFFER SLIGHTLY PER LIGHT FIXTURE



MOUNTING OPTION for using attached bulb that comes with the product.



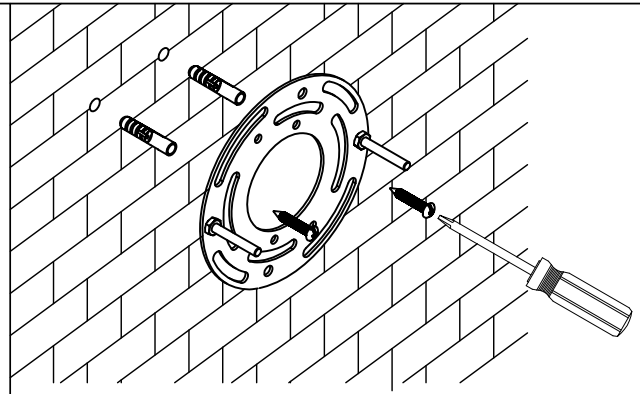


MOUNTING OPTION 1

(With junction box)

STEP 1a

Unscrew the ball nuts from the mounting unit.
Use the mounting screws to attach the mounting unit to the junction box (not included).

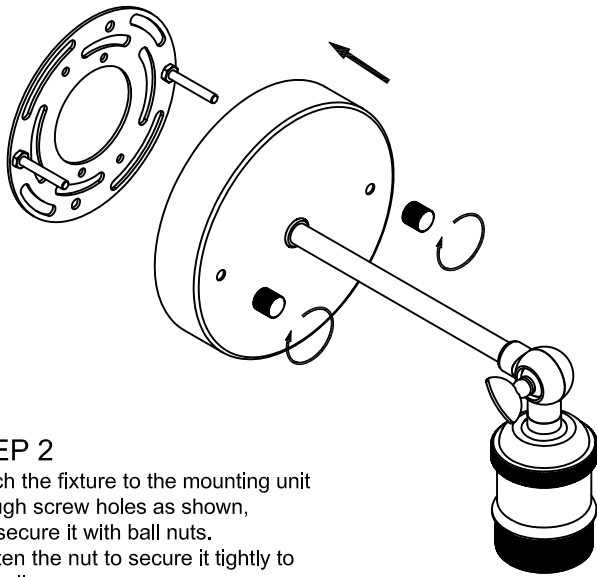


MOUNTING OPTION 2

(No junction box)

STEP 1b

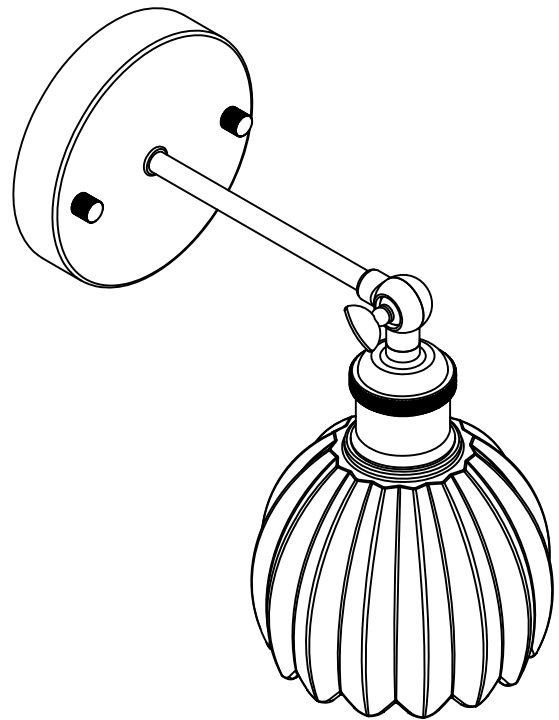
If there is no junction box, you can also install the wall lamp directly by fixing the mounting plate on the wall.



STEP 2

Attach the fixture to the mounting unit through screw holes as shown, and secure it with ball nuts. Tighten the nut to secure it tightly to the wall.

STEP 4
Install RGB bulb.



STEP 3

Remove the socket ring from the fixture. attach the glass shade onto fixture by socket ring.

