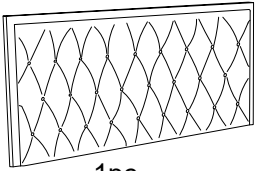


# ASSEMBLY INSTRUCTION

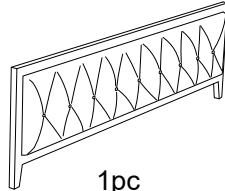
## VELVET TUFTED EASTERN KING BED

**A** Headboard



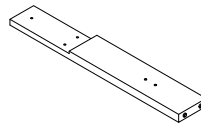
1pc

**B** Footboard



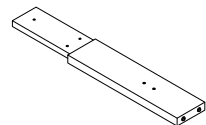
1pc

**C** Headboard Left Leg



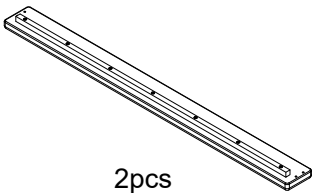
1pc

**D** Headboard Right Leg



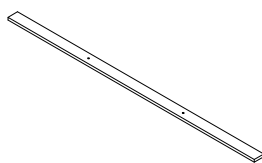
1pc

**E** Rail



2pcs

**F** Slat



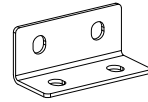
5pcs

**G** Support Leg



10pcs

**H** Corner Bracket



4pcs

**I** Allen Bolts  
Ø5/16"x1-1/2"



22pc

**J** Flat Washer  
Ø5/16"



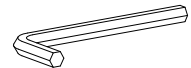
22pcs

**K** Spring Washer  
Ø5/16"



22pcs

**L** Allen Key  
5/16"



1pc

**M** Allen Bolts  
Ø1/4"x1-1/4"



10pcs

**N** Flat Washer  
Ø1/4"



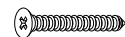
10pcs

**O** Allen Key  
1/4"

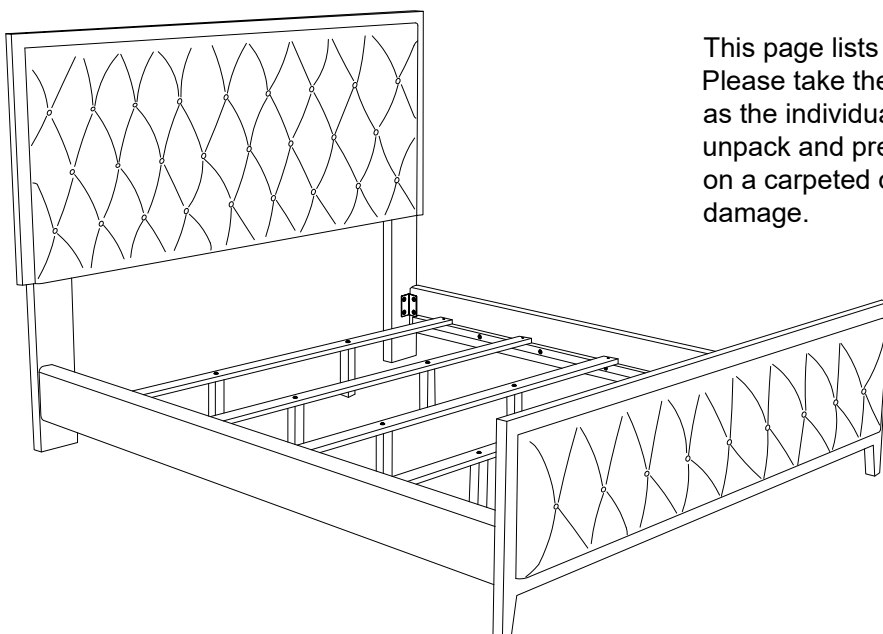


1pc

**P** Wood Screw  
Ø8x1-1/4"L

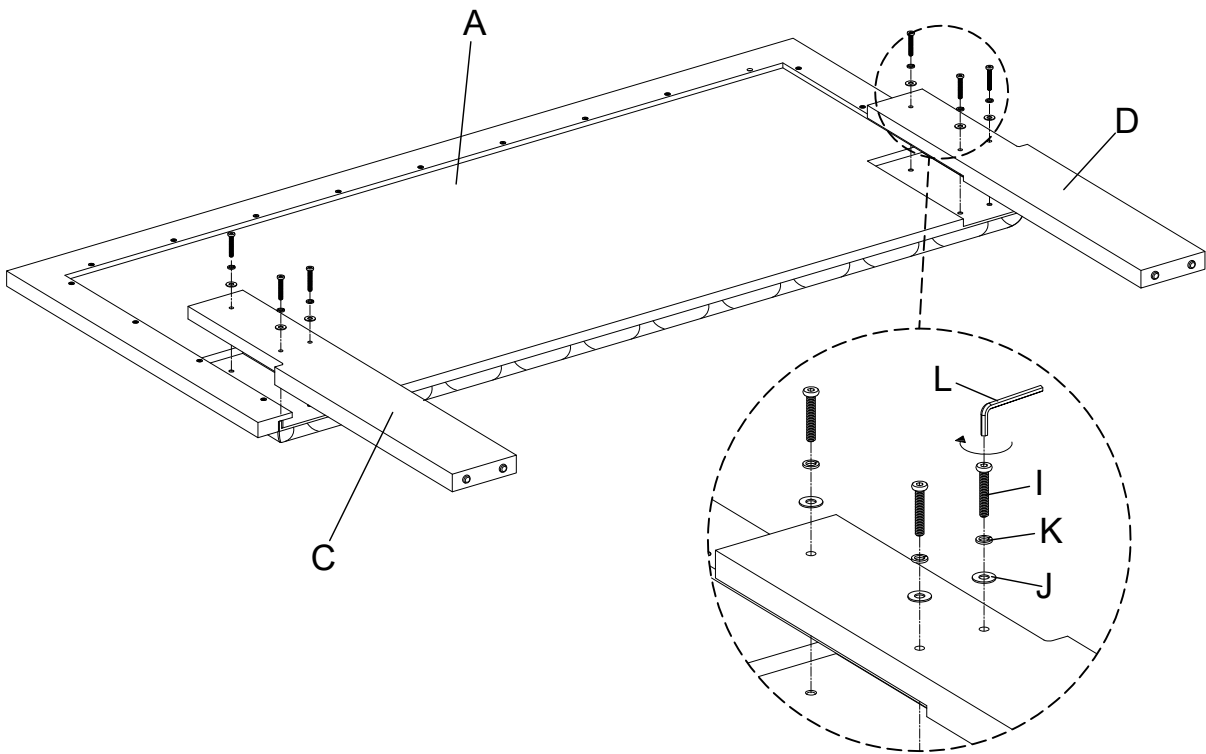


10pcs

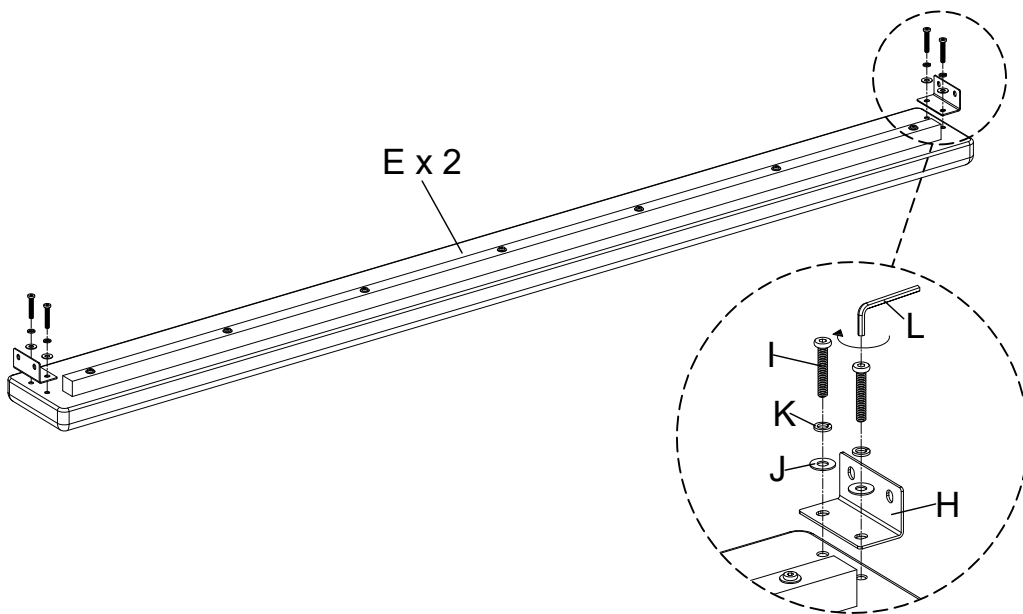


This page lists all the contents included in the box. Please take the time to identify the hardware as well as the individual components to this product. As you unpack and prepare for assembly, place the contents on a carpeted or padded area to protect them from damage.

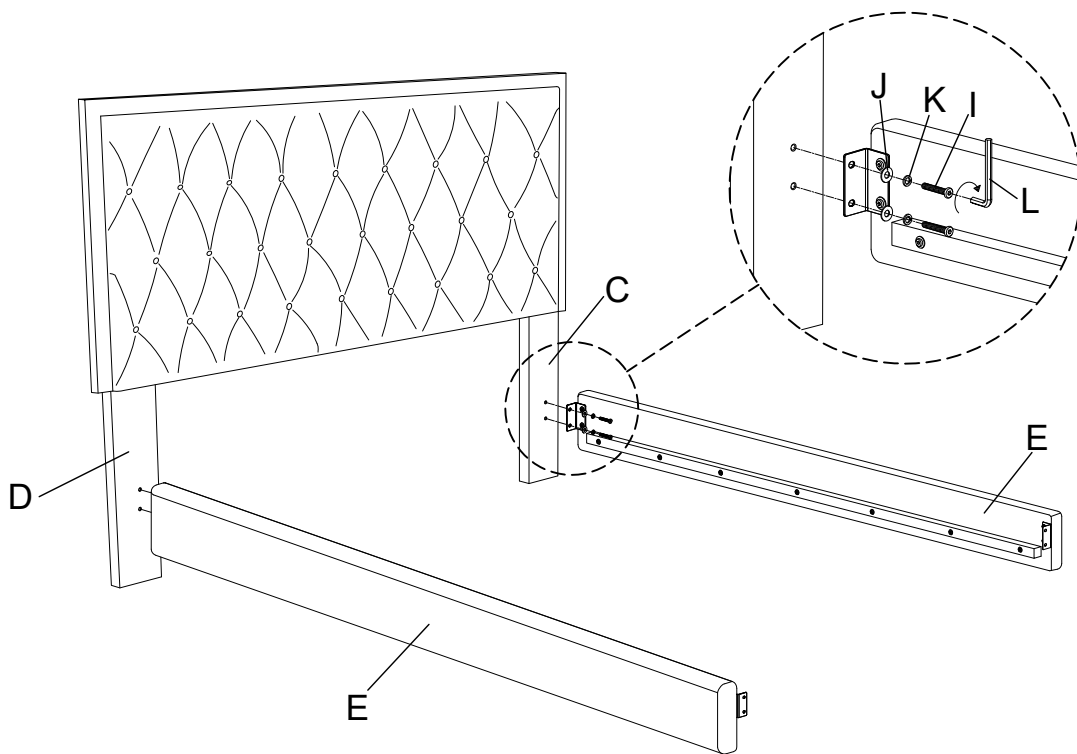
- 1** Assembly Headboard Leg (C & D) to Headboard (A) use Allen Bolt (I), Spring Washer (K) and Flat Washer (J) by Allen Key (L).



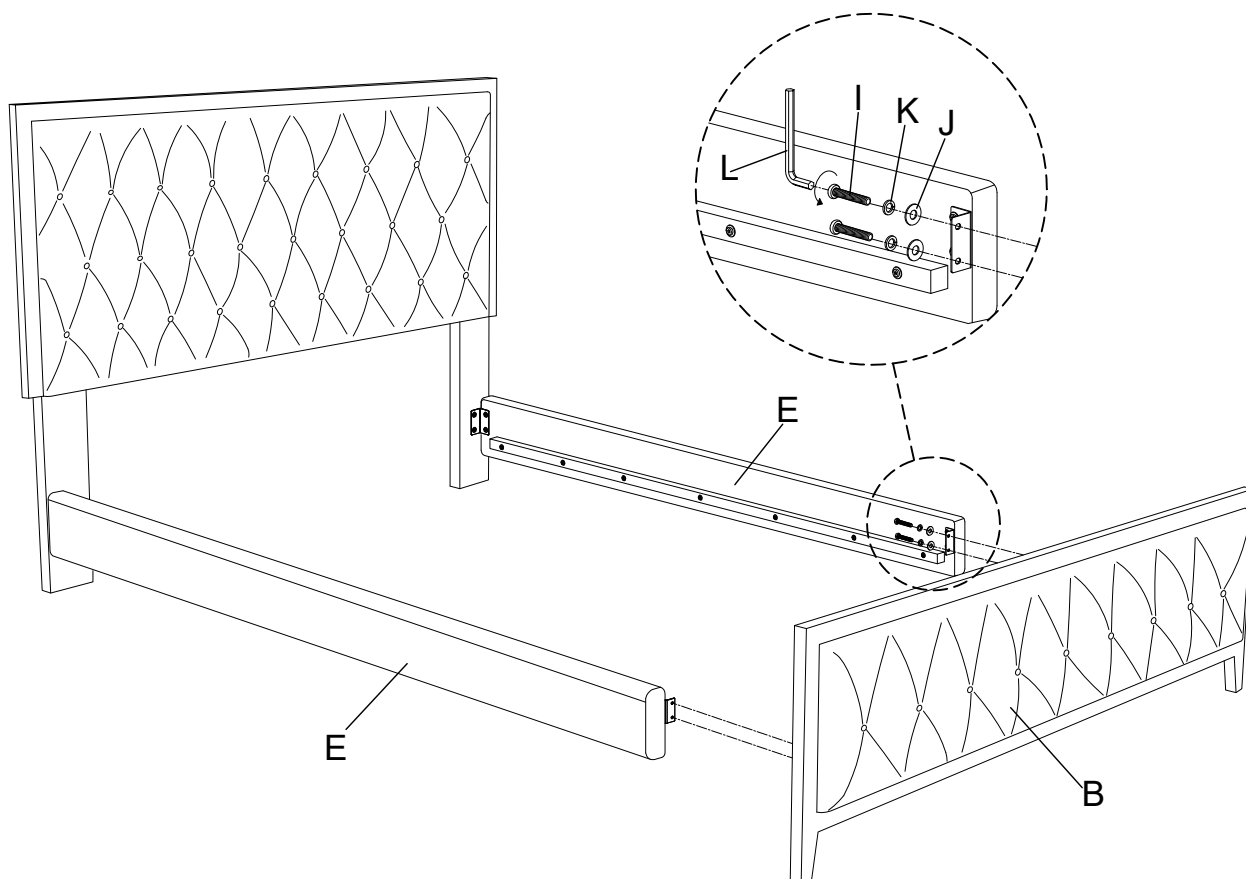
- 2** Assembly Corner Bracket (H) to Rail (E) use Allen Bolt (I), Spring Washer (K) and Flat Washer (J) by Allen Key (L).



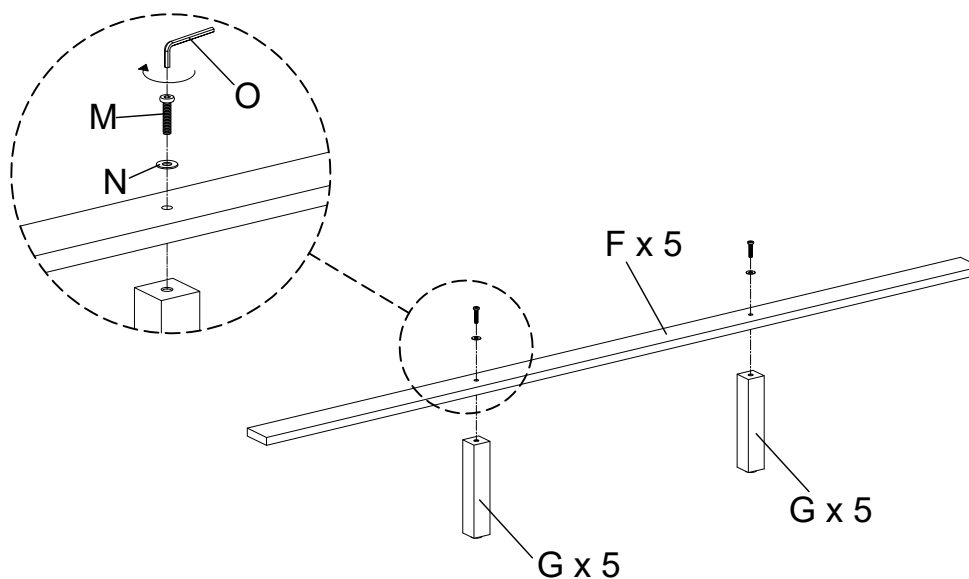
- 3** Assembly Rail (E) to Headboard Leg (C & D) use Allen Bolt (I) ,Spring Washer (K) and Flat Washer (J) by Allen Key (L).



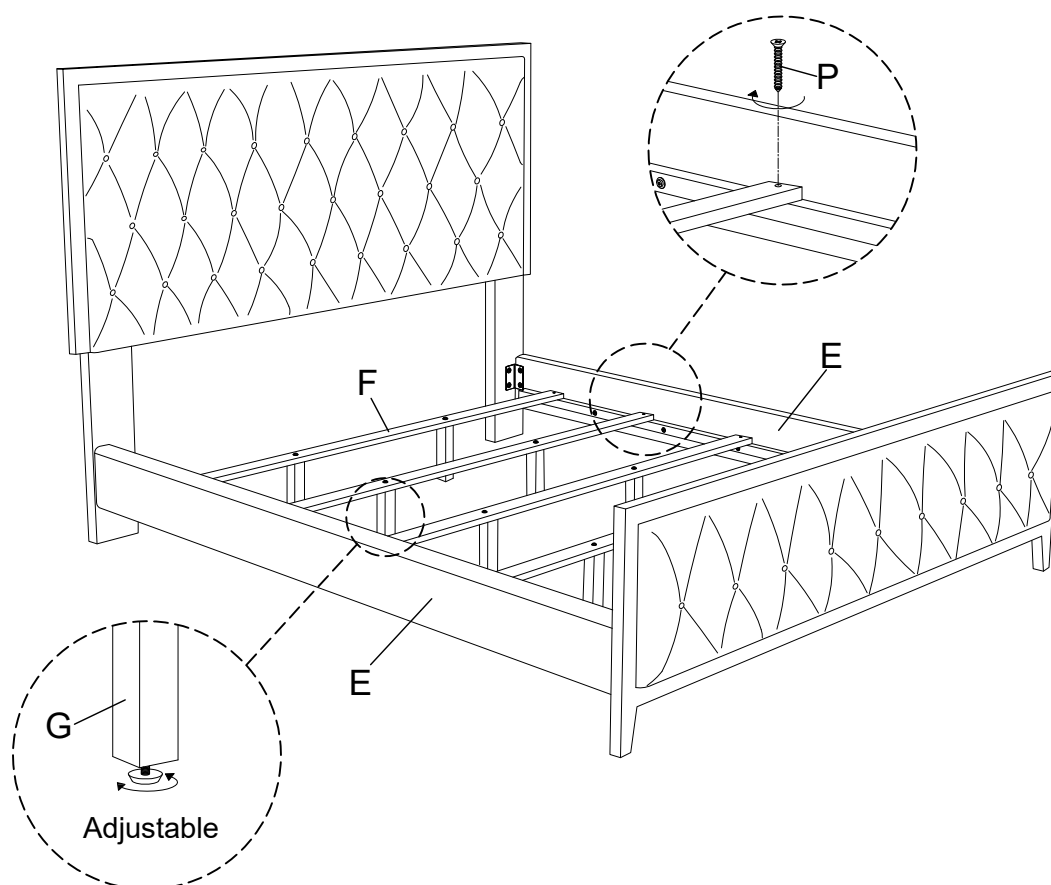
- 4** Assembly Rail (E) to Footboard (B) use Allen Bolt (I) ,Spring Washer (K) and Flat Washer (J) by Allen Key (L).



**5** Assembly Support Leg (G) to Slats (F) use Allen Bolt (M) and Flat Washer (N) by Allen Key (O).



**6** Assembly Slats (F) to Rail (E) use Wood Screw (P).



### Cleaning & Care

Treat surface with care. Surface is resistant to scratches but is not scratch resistant. Clean surfaces with a dry or damp soft cloth. Do not use abrasive cleaners. Hardware may loosen over time. Periodically check that all connections are tight.