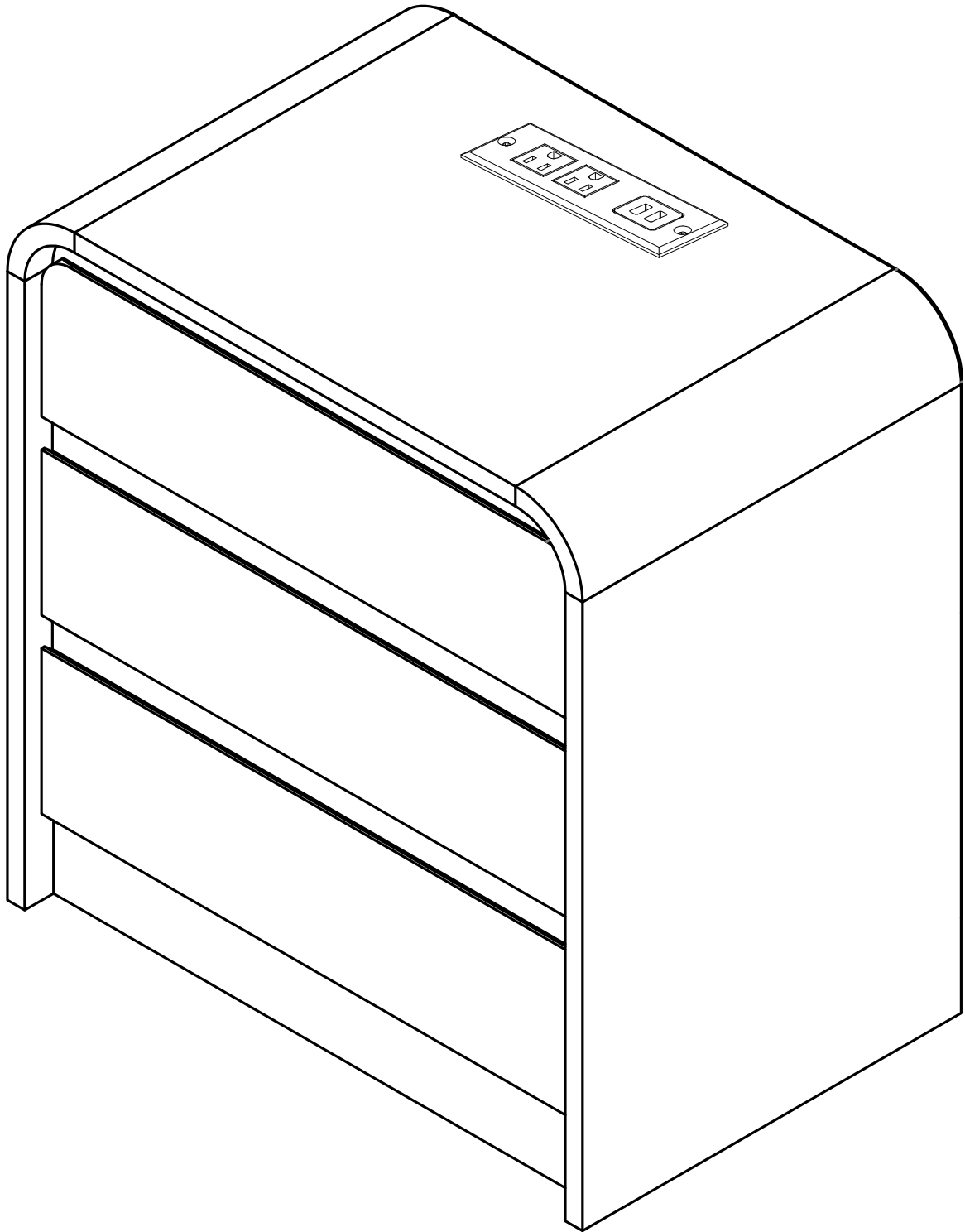
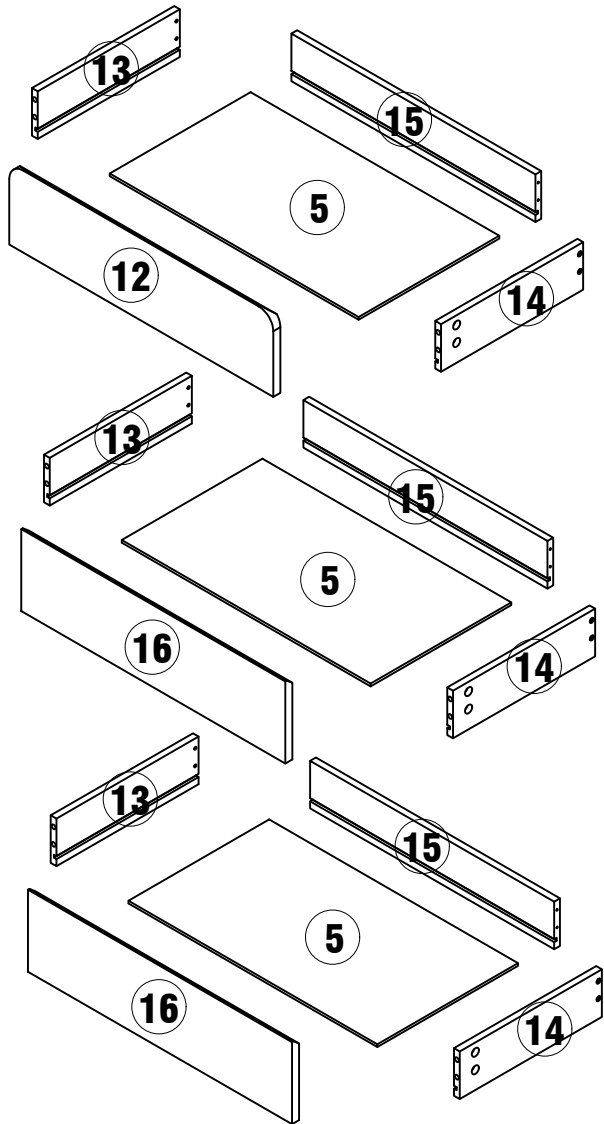
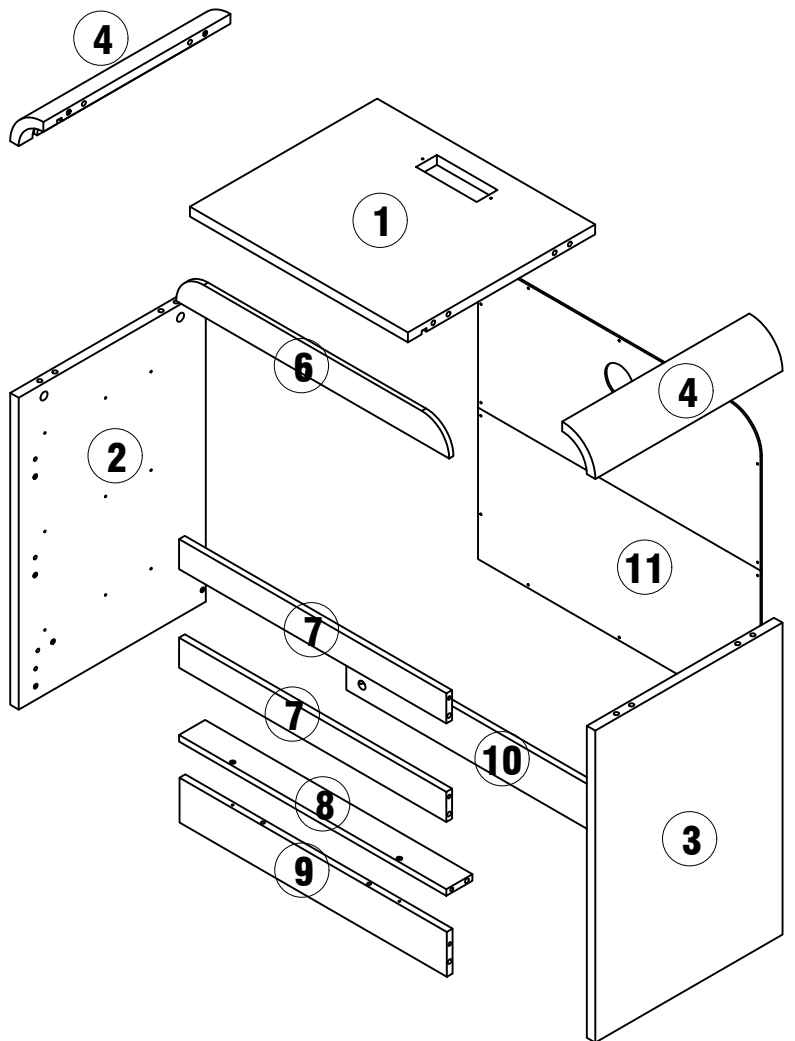


ASSEMBLY INSTRUCTIONS



PACKAGE INCLUDE

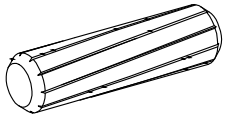


PACKAGE INCLUDE

CODE	DESCRIPTION	QTY
1	Top Panel	1
2	Left Side Panel	1
3	Right Side Panel	1
4	Bent Wood Board	2
5	Drawer Bottom Panel	3
6	Upper Front Strip	1
7	Front Slat	2
8	Bottom Crossbar	1
9	Front Footboard	1
10	Back Footboard	1
11	Back Panel	1
12	Upper Drawer Top Panel	1
13	Drawer Left Side Panel	3
14	Drawer Right Side Panel	3
15	Drawer Back Panel	3
16	Lower Drawer Top Panel	2

PACKAGE CONTENT

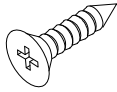
Ø6X30MM



A

12X+1

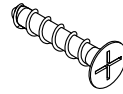
Ø3X12MM



B

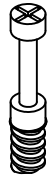
32X+1

Ø4X35MM



C

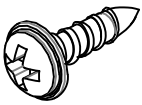
12X



D

8X+1

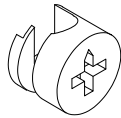
Ø3.5X12MM



F

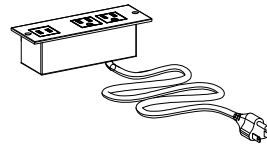
14X+1

Ø15X12MM



G

8X+1



H

1X



J

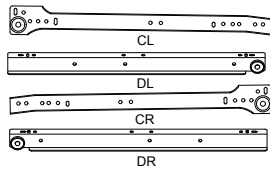
22X+1

Ø15X10MM



K

22X+1



L

3X

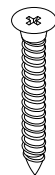
Ø8X30MM



M

8X

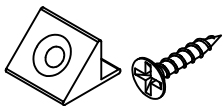
Ø4X40MM



N

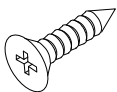
2X

Ø3.5X14MM



P

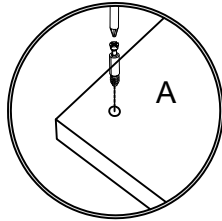
2X



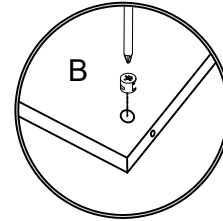
Q

2X

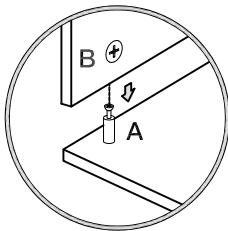
How to use the cam lock system



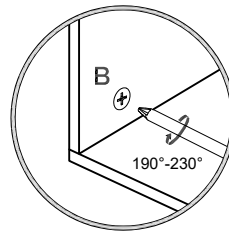
1. Screw cam bolt into panel



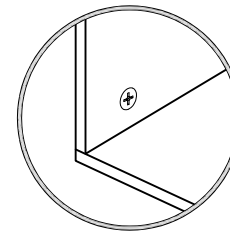
2. Push cam into panel - arrow feature on cam top points to panel edge



3. Align cam bolt(s) with cam(s) and insert all the way into cross-bored hole(s)

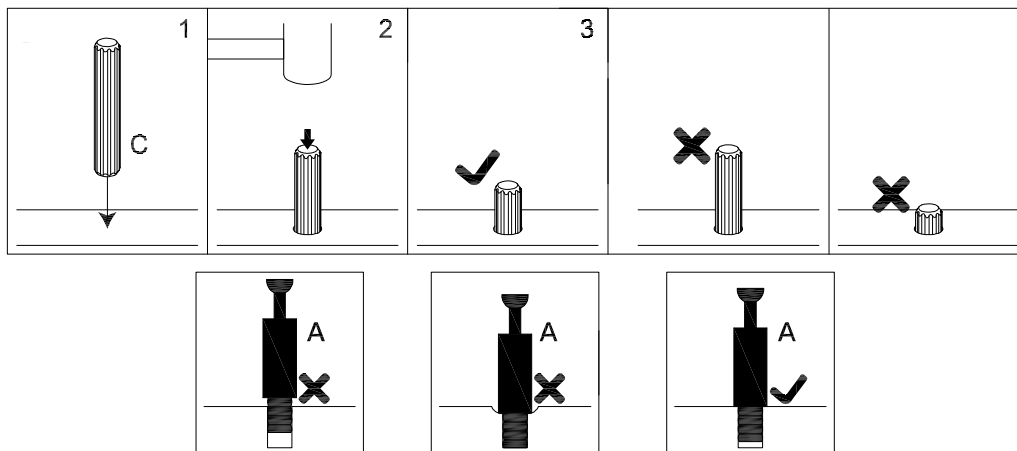


4. Rotate cam(s) clockwise 190°-230° to lock panels together



5. Panels should be tight against each other and connection should be rigid

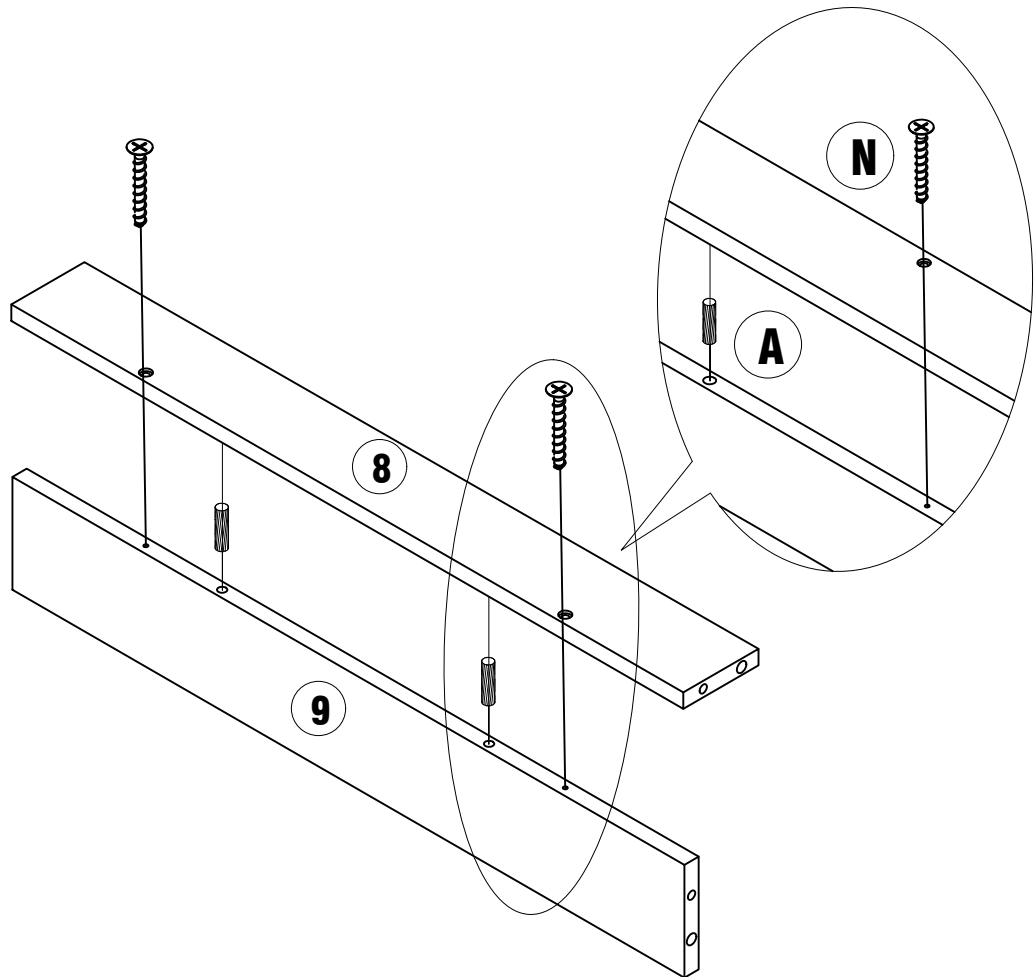
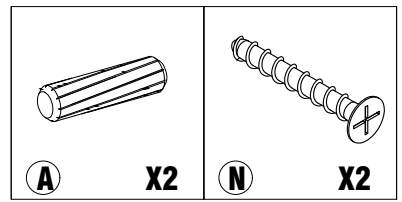
Insert the wood dowel [C] at least half way by tapping lightly with a rubber mallet, IF NECESSARY.



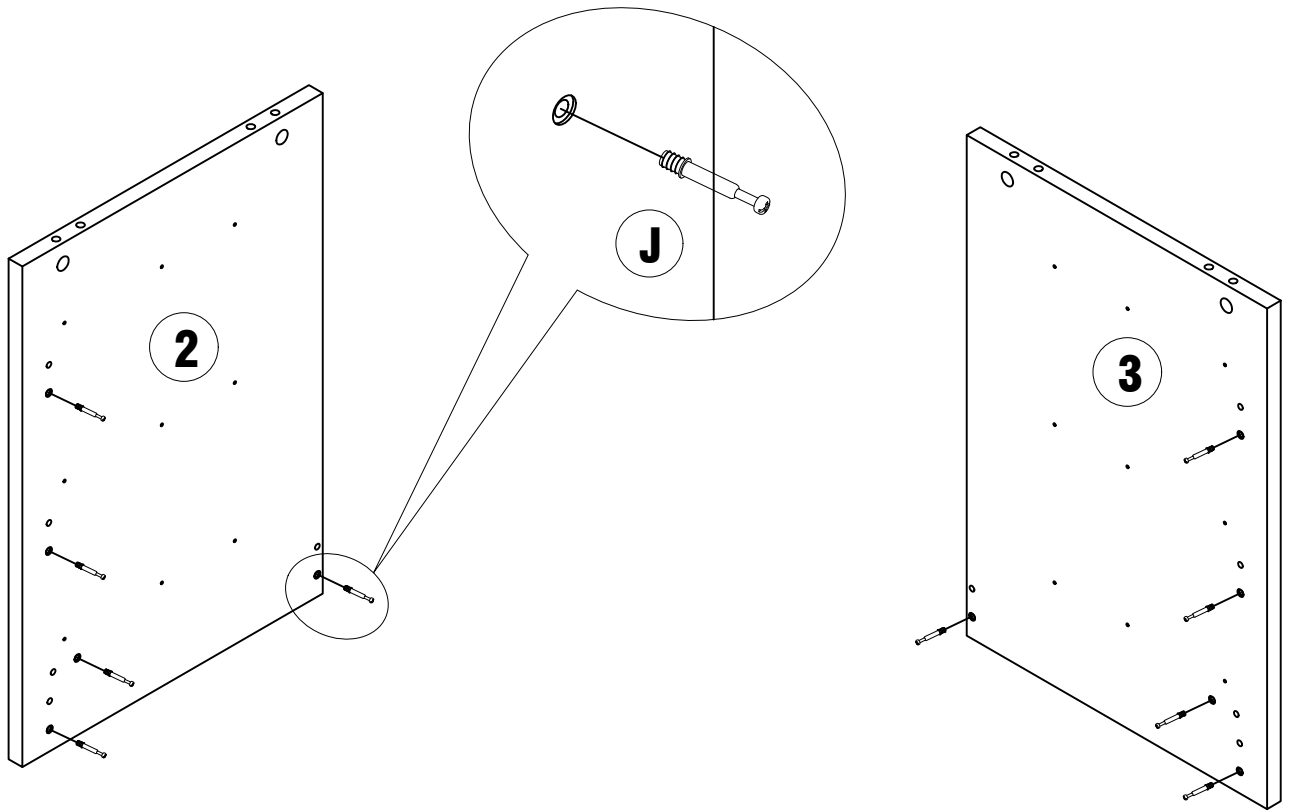
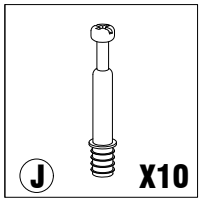
⚠ WARNING

- Unit must be placed on a level surface or leveled with included hardware (when applicable).
- Do not sit or stand on or allow children to climb, sit or stand on the assembled product.
- For safety reasons, it is imperative that this unit be mounted to the wall.
- Do not use without installing the tip restraint.
- Unit can tip over causing severe injury or death.
- Do not exceed the recommended weight limits.
- Evenly distribute the weight on each level and always keep the heavier loads on the bottom.
- Before cutting, drilling or hammering into any wall or floor surface, verify the location of electrical, plumbing and gas lines. Cutting may cause serious injury.

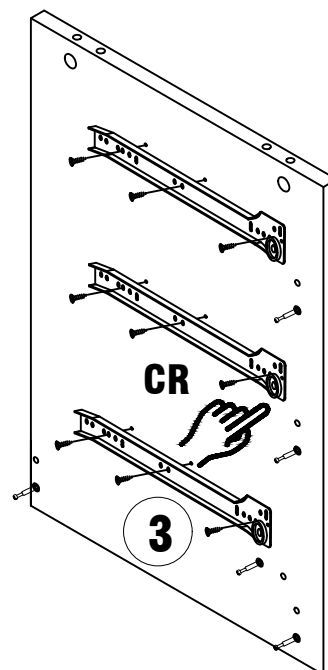
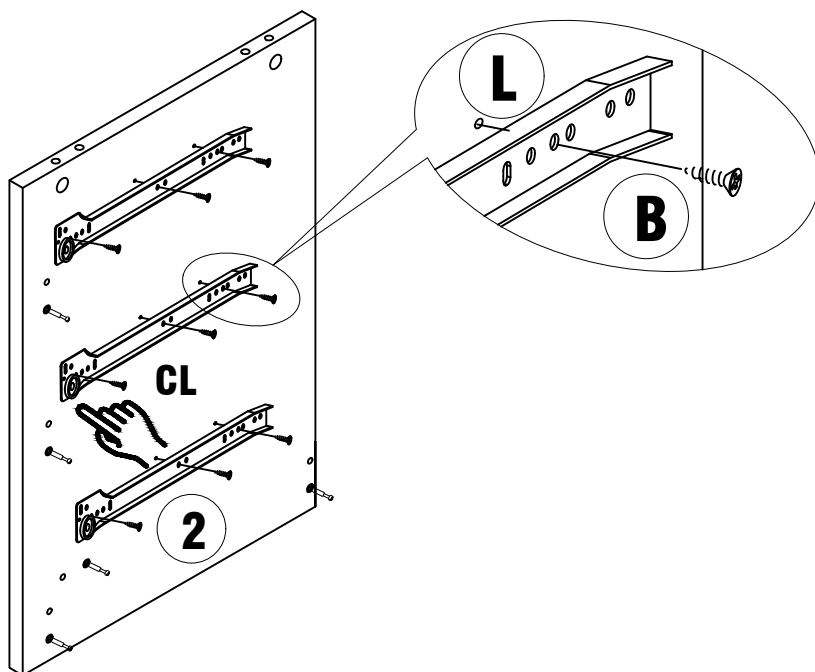
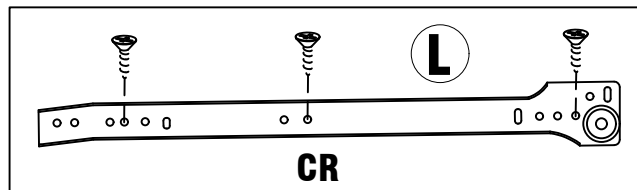
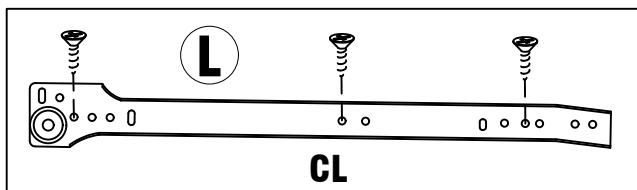
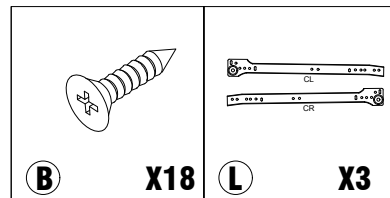
STEP 1



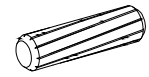
STEP 2



STEP 3



STEP 4



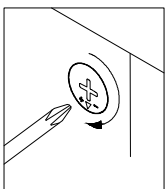
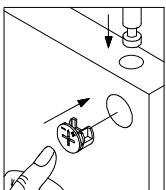
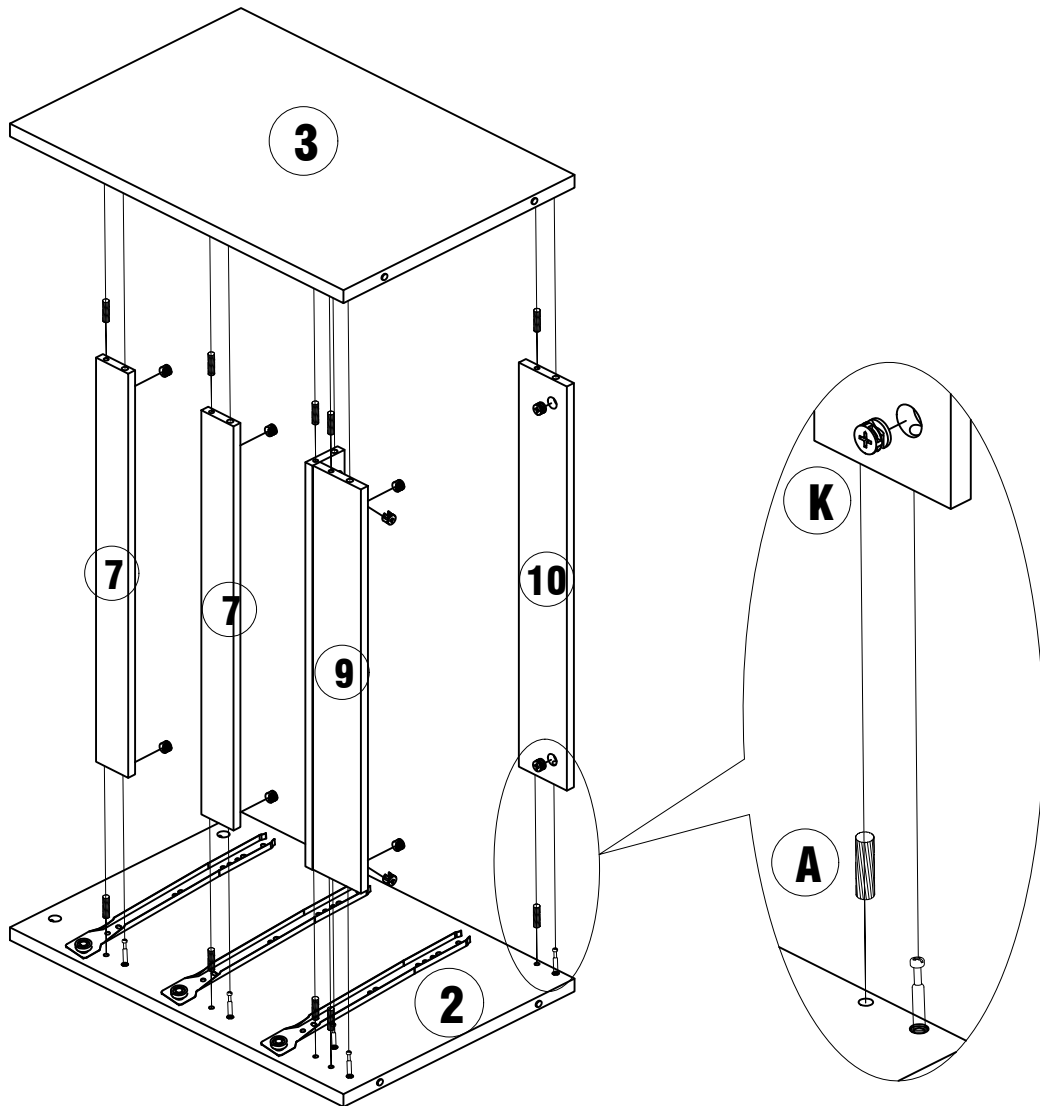
A

X10

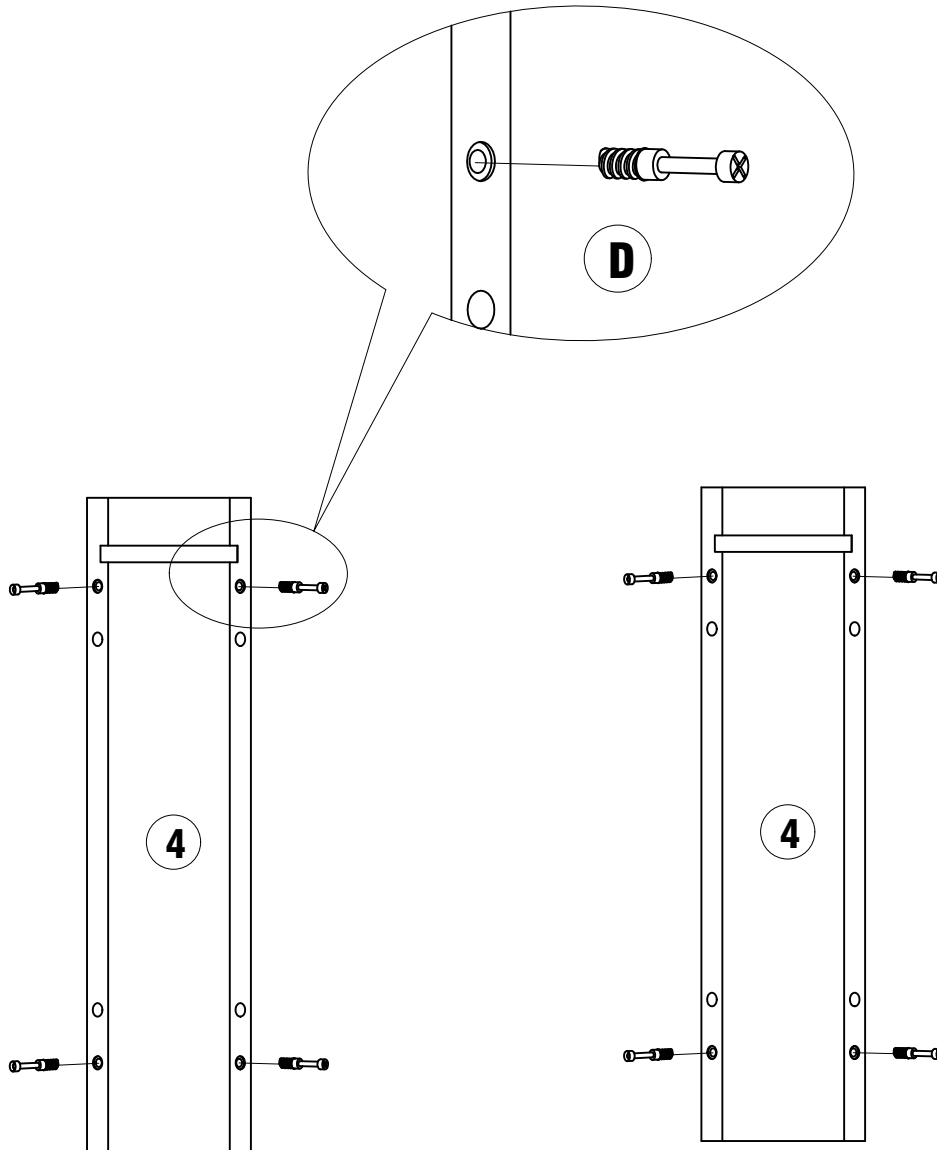
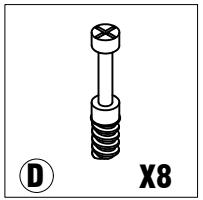


K

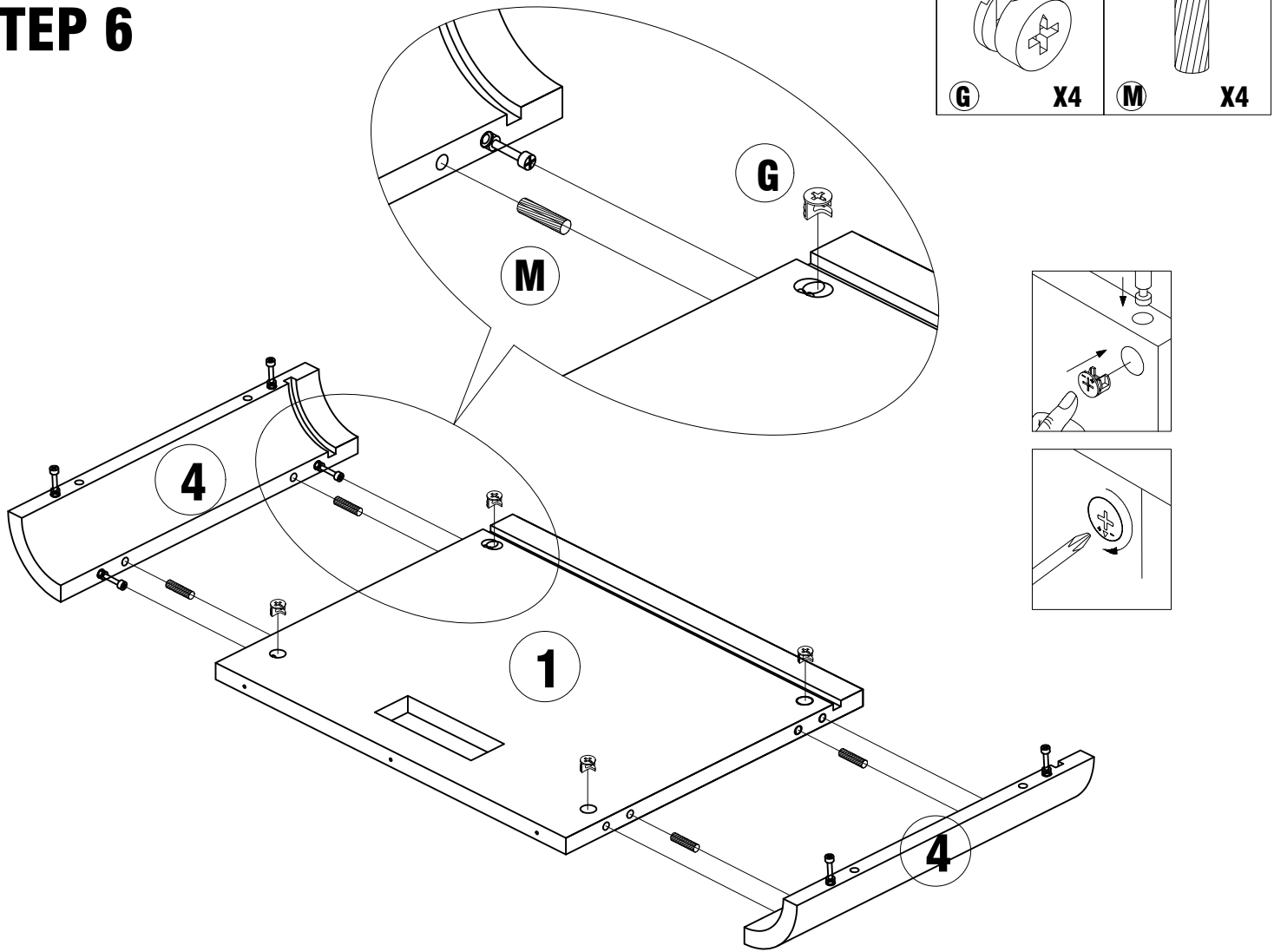
X10



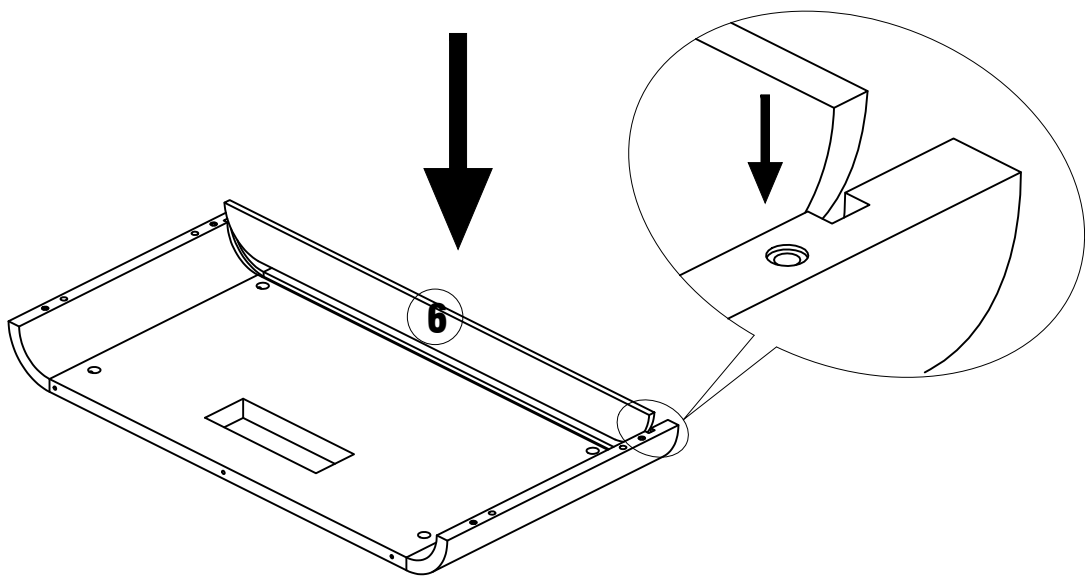
STEP 5



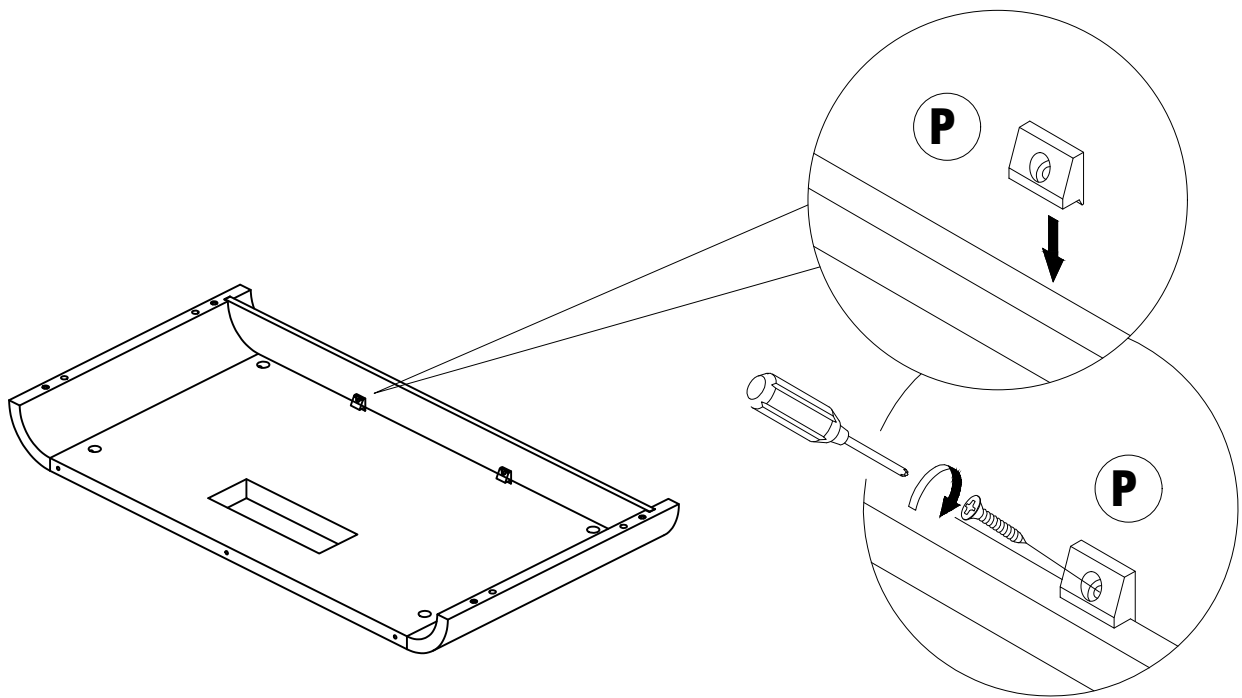
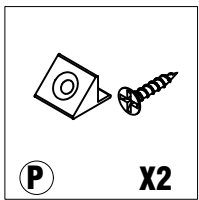
STEP 6



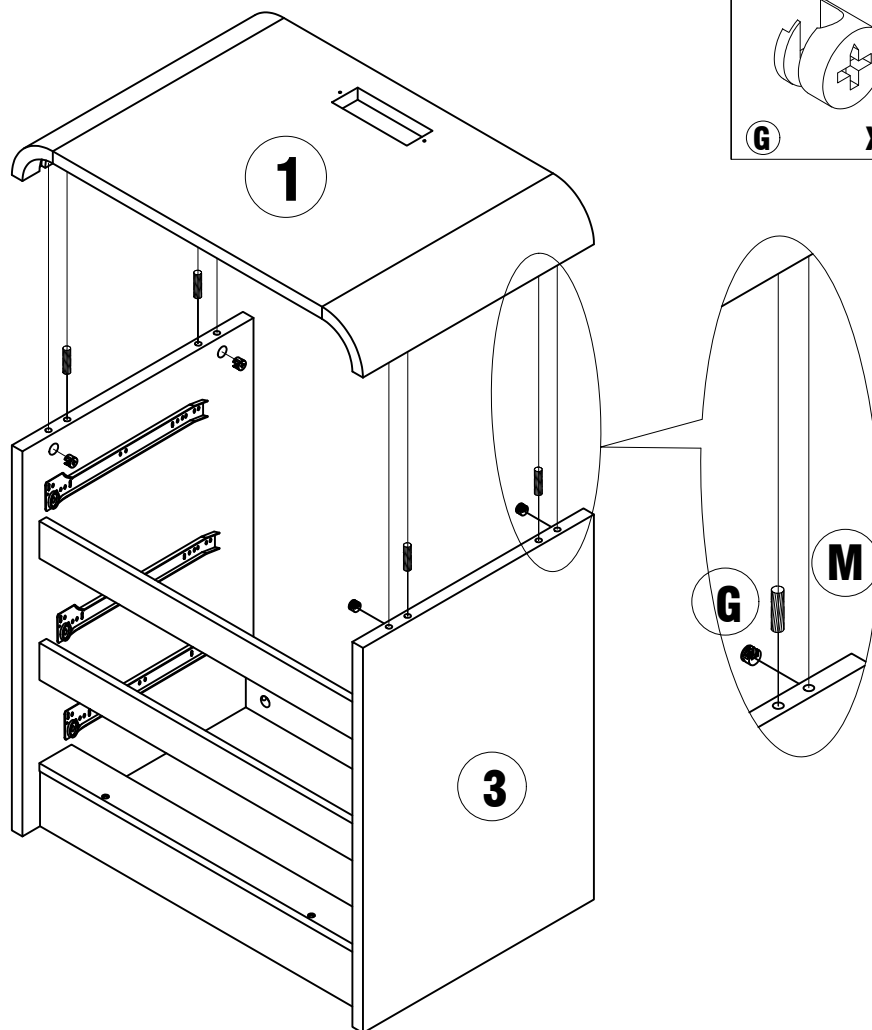
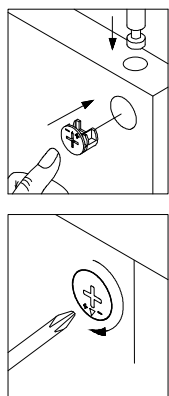
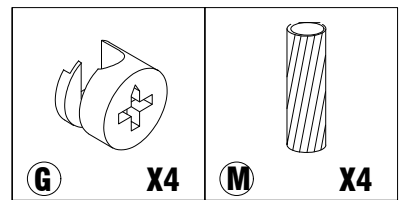
STEP 7



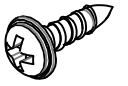
STEP 8



STEP 9

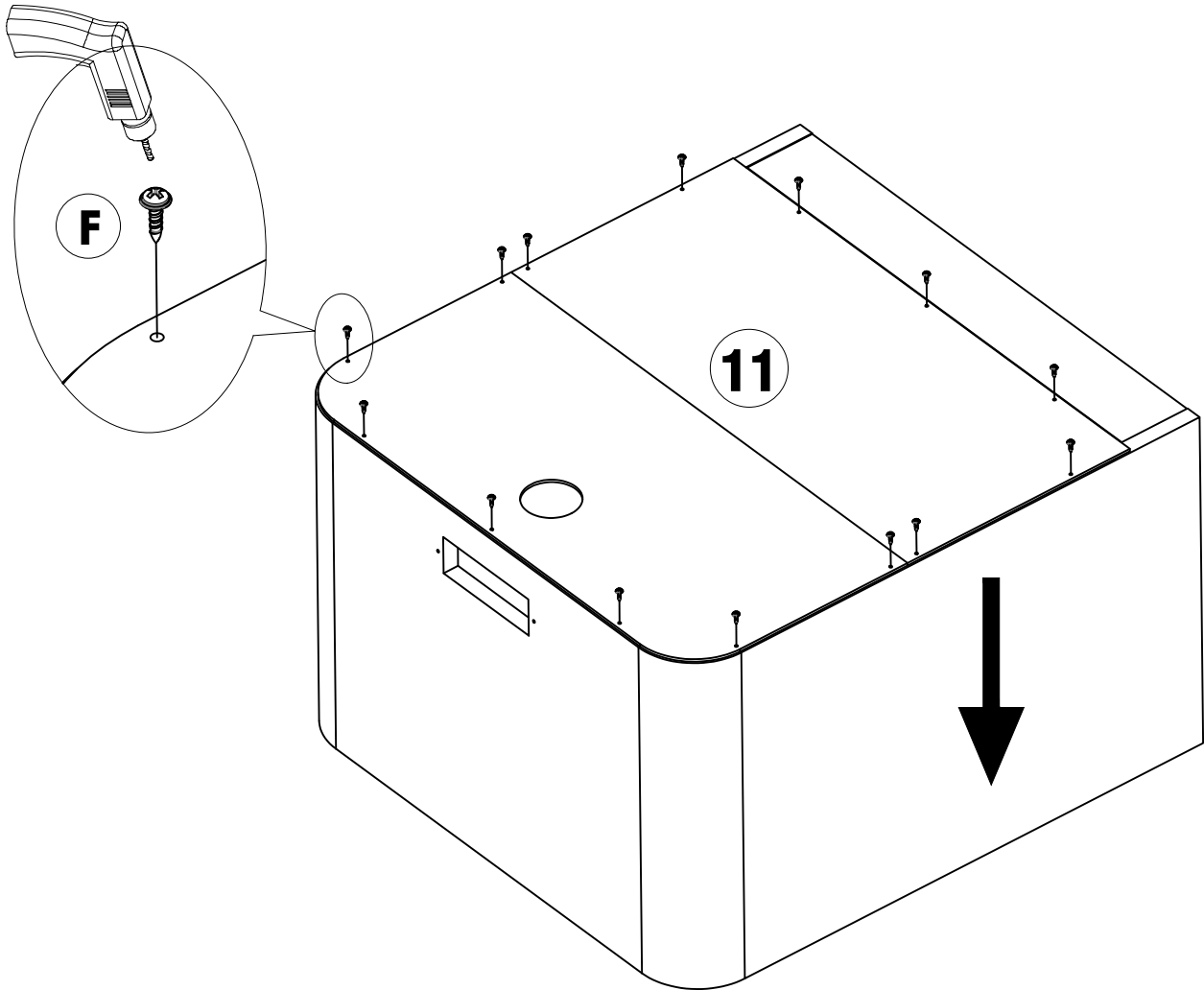


STEP 10

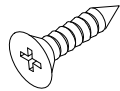
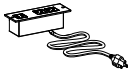


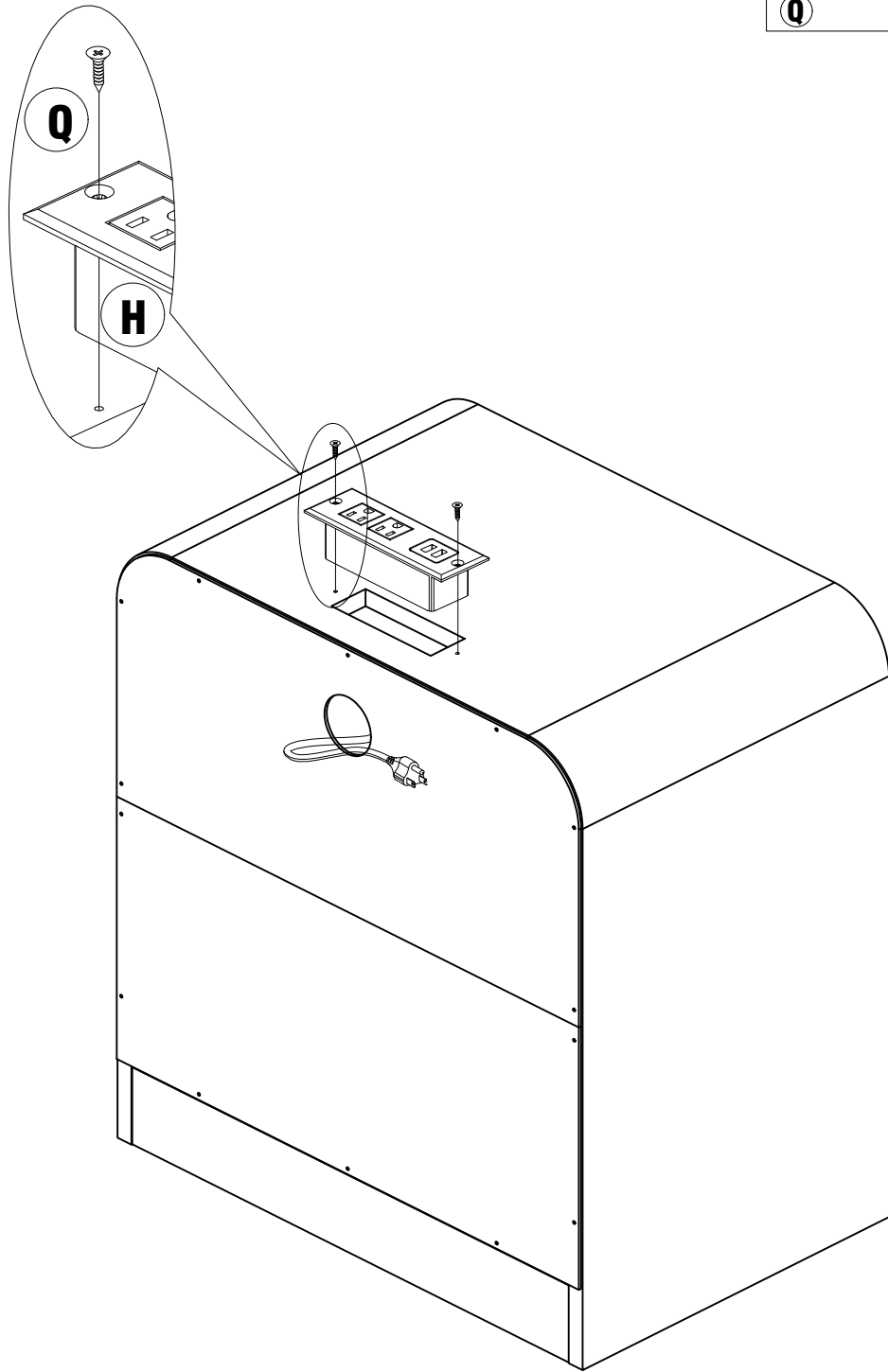
F

X14

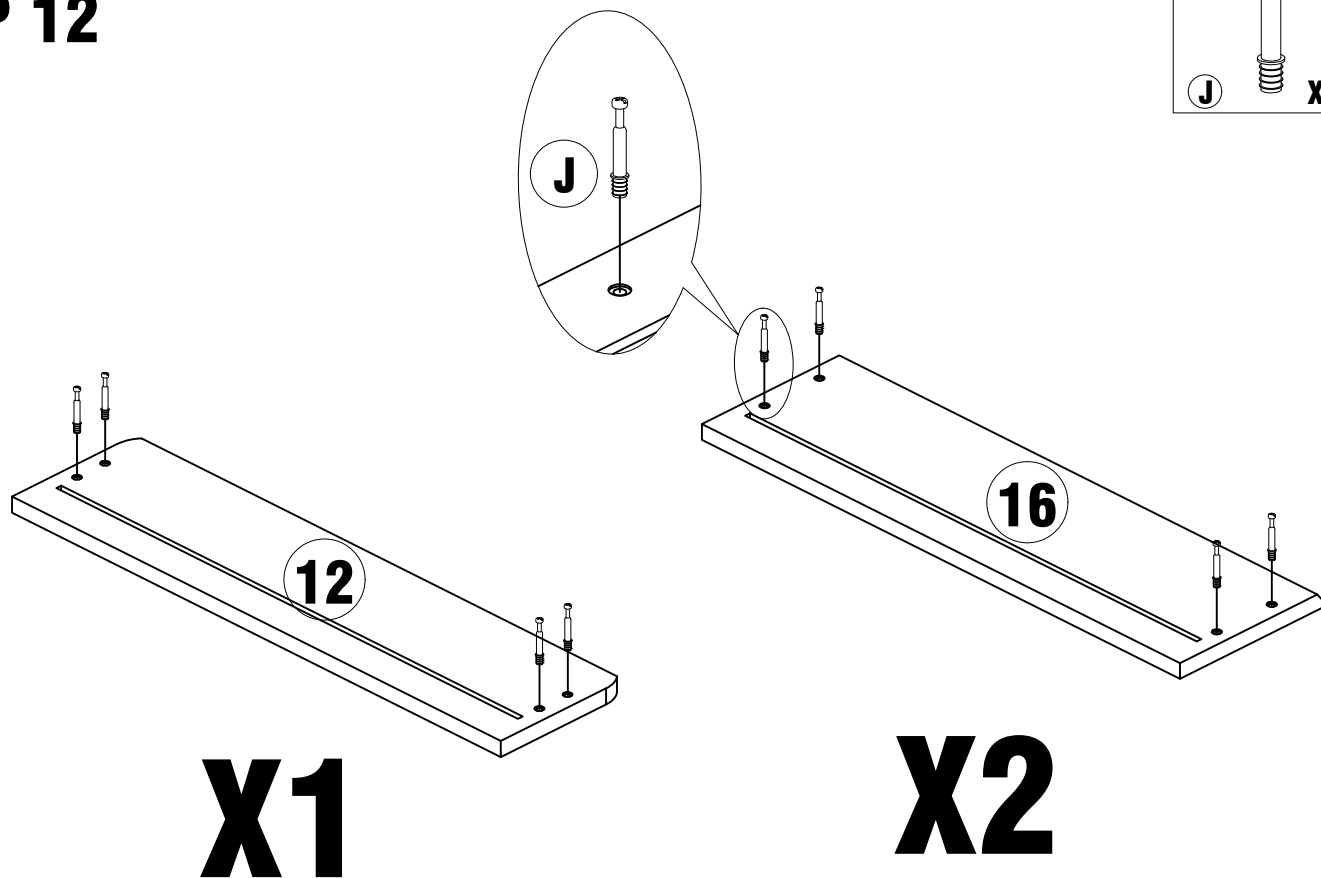
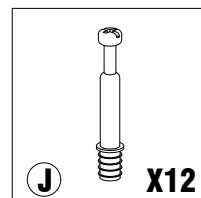


STEP 11

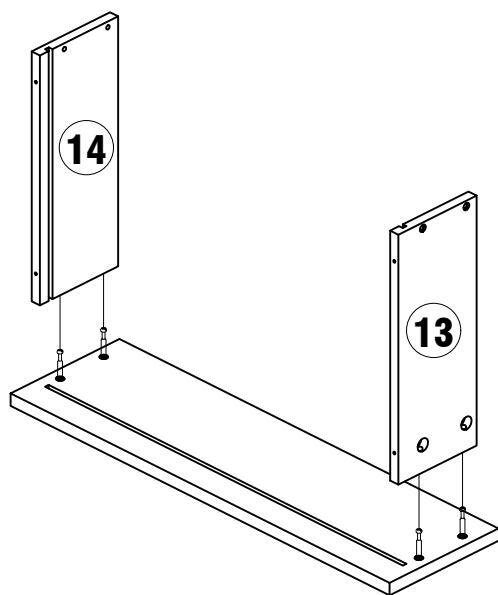
	
Q	X2
H	X1



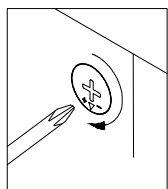
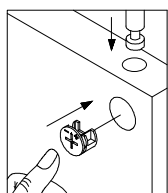
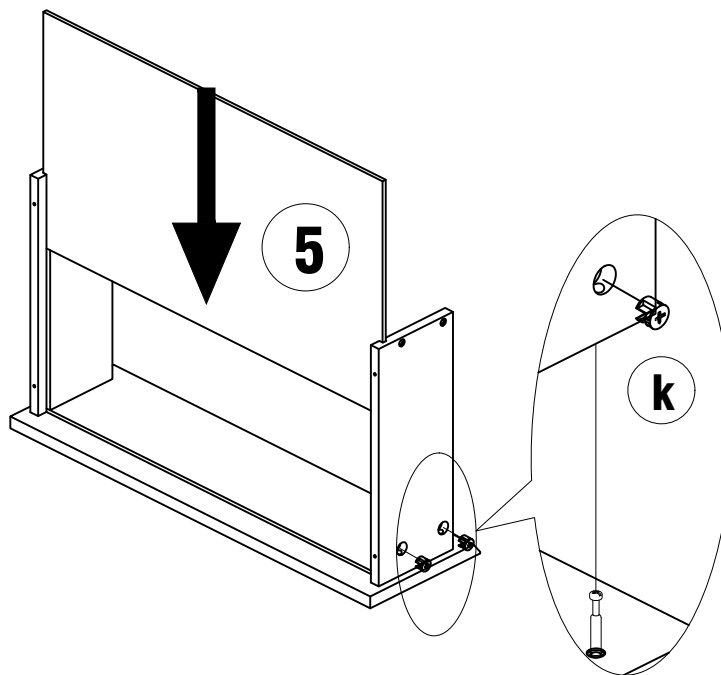
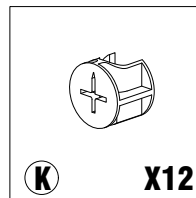
STEP 12



STEP 13

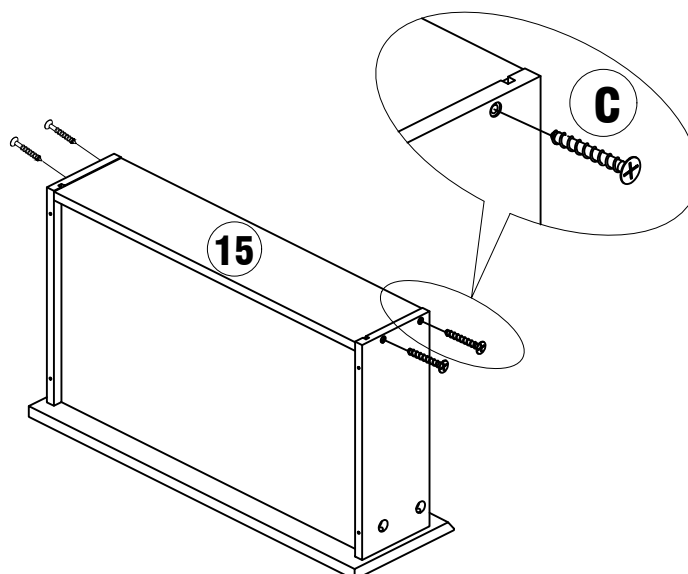
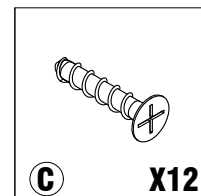


STEP 14

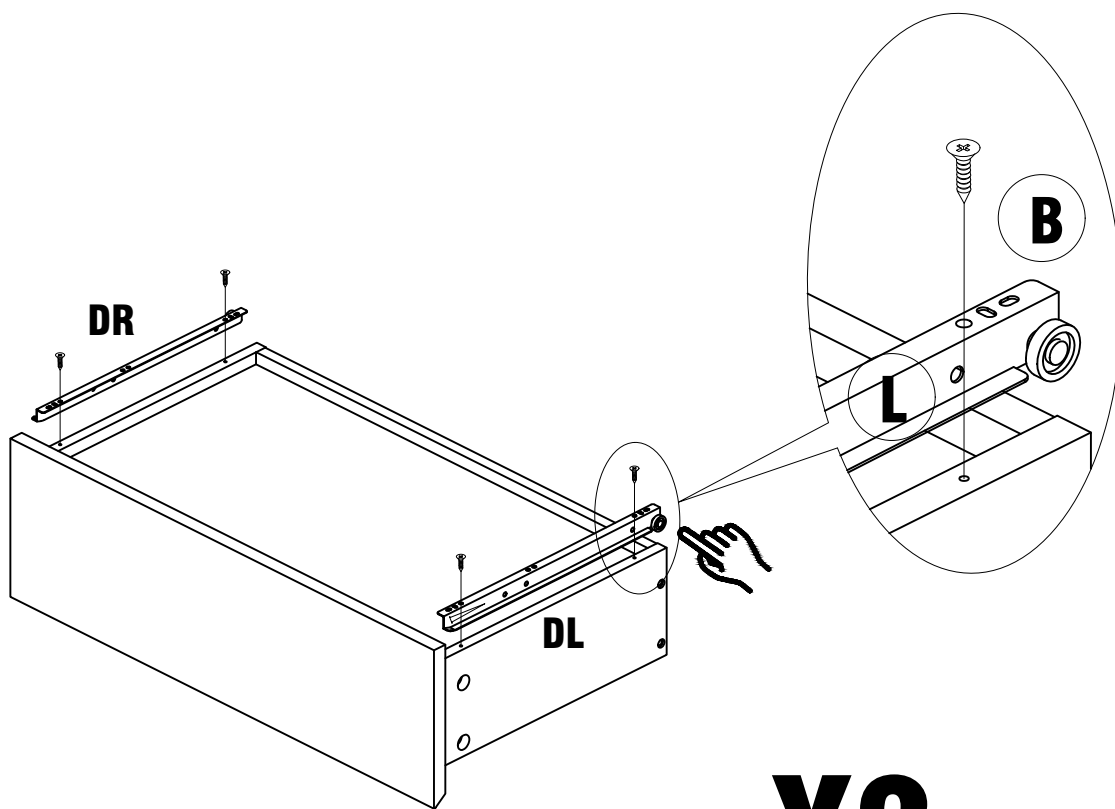
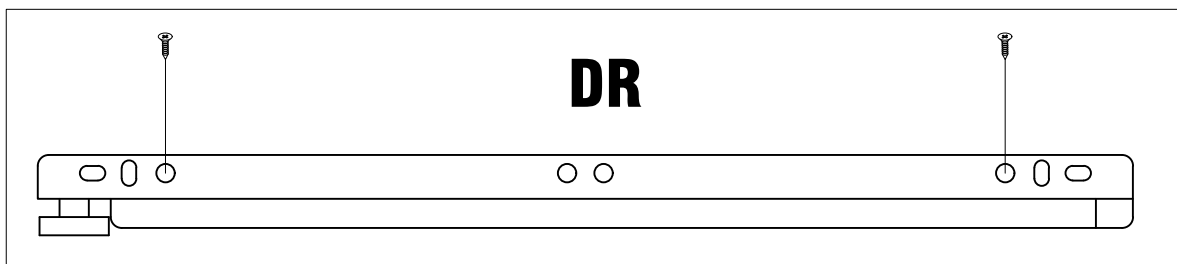
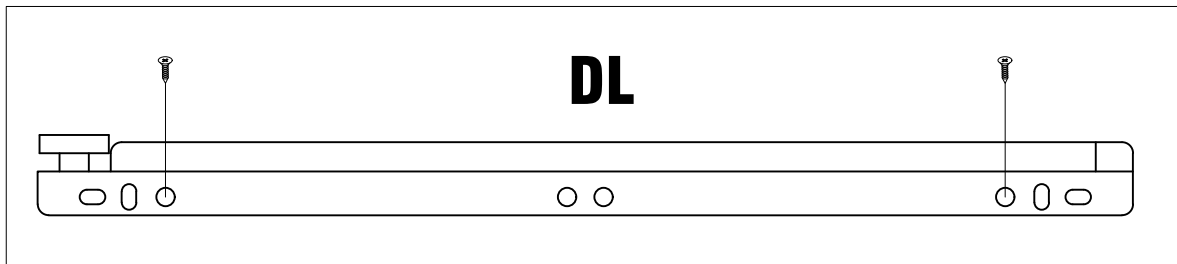
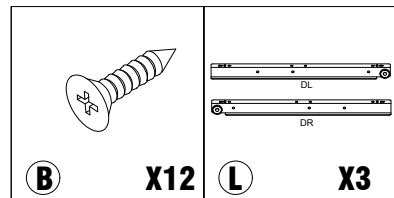


X3

STEP 15



STEP 16



X3

STEP 17

