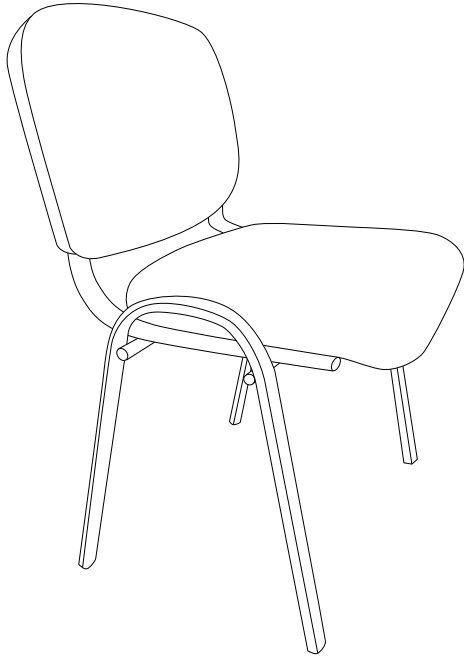









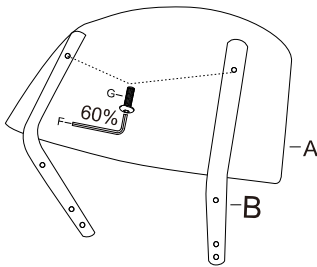
Assembly Instruction



Parts List	Qty
A 	1*5
B 	2*5
C 	1*5
D 	1*5
E  M6*25mm	20+1
F 	1
G  M6*30mm	20+1

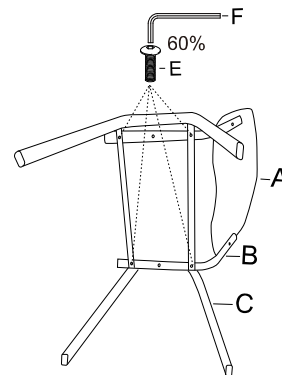
Notes: "4+1" means w prepare you an extra screw for the supplement.

1



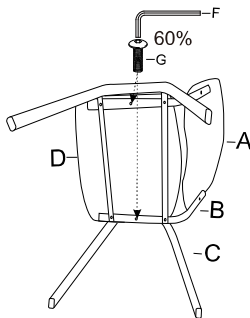
Step One: Having Part B screwed into the Backrest Part A by Using Screw G (The longer screws)

2



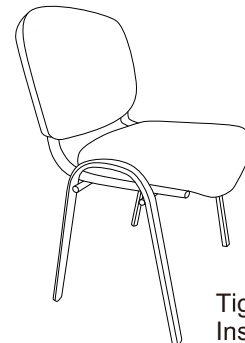
Step Two: Fixating the Part into Part B Using Screw E (The shorter screws)

3



Step Three: Using screws G to connect the seating cushion Part D into Part B's middle holes

4



Tighten all screws. Installation complete.

Need Supports?

My dear customer, should you need any helps, please feel free to reach out to us anytime via Amazon or our aftersales support email (support@vingli.com).

If you are going to contact us via our support email address, pls kindly have your order ID added into your email title so we could allocate your order information in a quicker manner.

You're highly appreciated to offer us the pictures to check should you receive our chair with any damages occur.

Pls always contact us for the prepaid return label assistance or returned on your own would be very expensive as customer has no contract postage with the carriers. Thanks for your cooperation. Take care and stay safe~