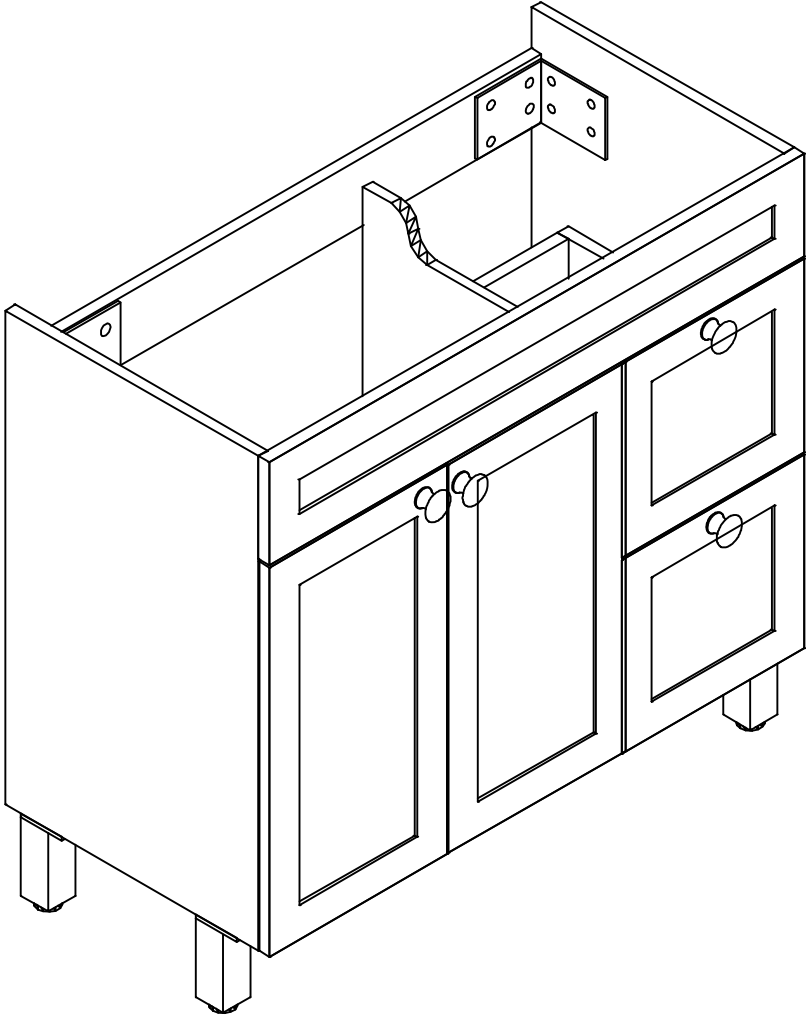
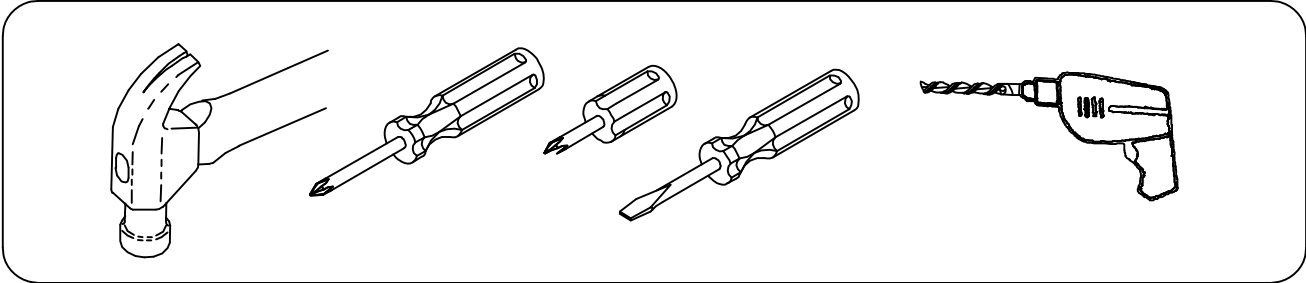




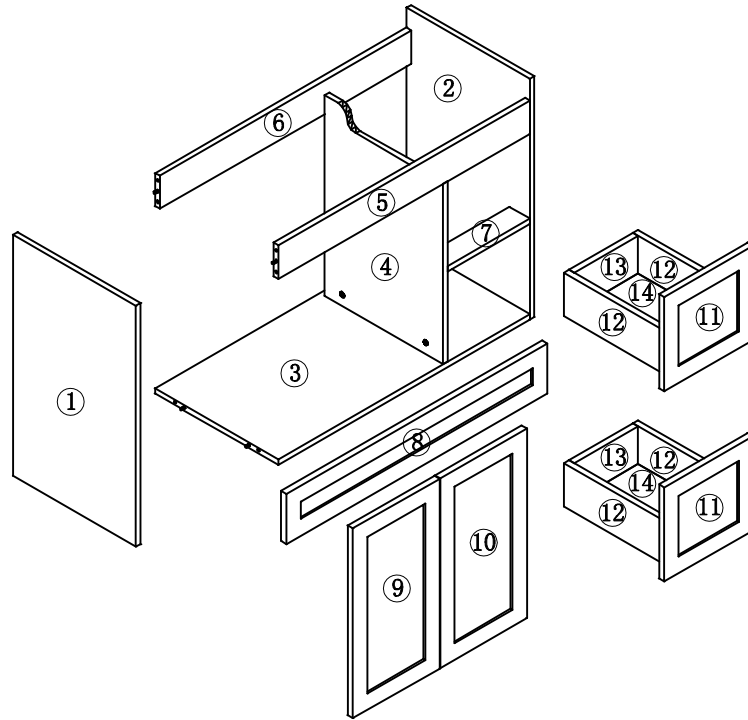
DIMENSIONS



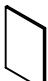

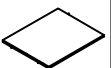

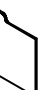

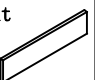
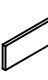
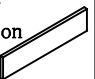
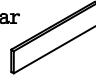
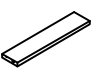
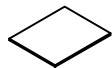





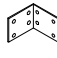



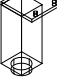
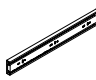
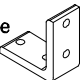



YOU MAY NEED (NOT SUPPLY)



ASSEMBLY DIAGRAM


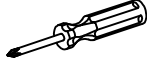


PARTS LIST					
PARTS LIST					
NO	DESCRIPTION	QTY	NO	DESCRIPTION	QTY
①	Left side panel 	1	⑧	Front baffle panel 	1
②	Right side panel 	1	⑨	Left door panel 	1
③	Bottom panel 	1	⑩	Right door panel 	1
④	Center partition panel 	1	⑪	Drawer front panel 	2
⑤	Upper front tension bar 	1	⑫	Drawer side panel 	4
⑥	Upper rear back tension bar 	1	⑬	Drawer rear panel 	2
⑦	Strip 	1	⑭	Drawer bottom panel 	2

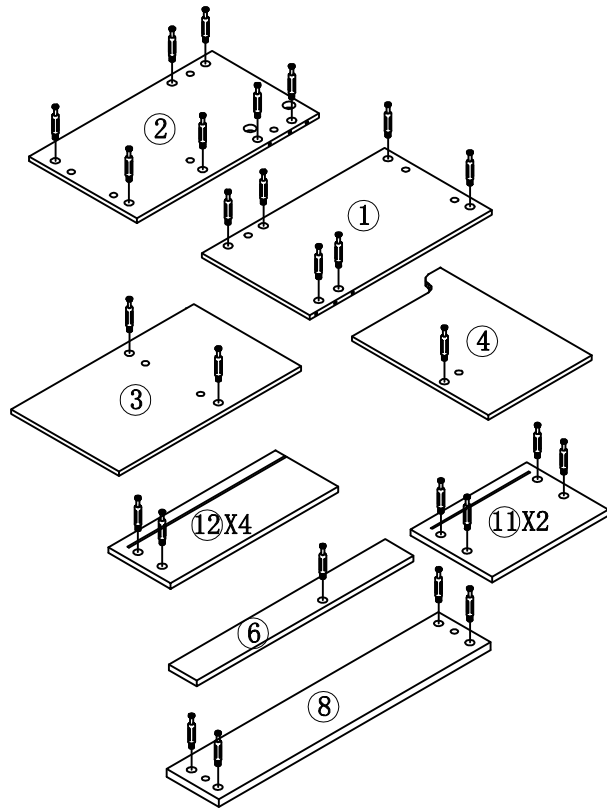
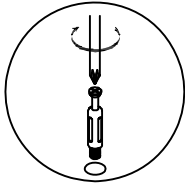
PARTS LIST					
HARDWARE LIST					
NO	DESCRIPTION	QTY	NO	DESCRIPTION	QTY
A	Three-in-one eccentric wheel 	38	H	Door handle 	2
B	Three-in-one connecting rod 	38	I	White angle bracket 	2
C	Three-in-one sticker 	38	J	Drawer handle 	2
D	8*40mm wood dowel pins 	14	K	Aluminum alloy leg 	4
E	Drawer slides 	4	L	Small angle bracket 	1
F	4*16mm screw 	80	M	Door hinge 	4
G	4*23mm screw 	4			

CAUTION:
Please confirm the parts list before installation

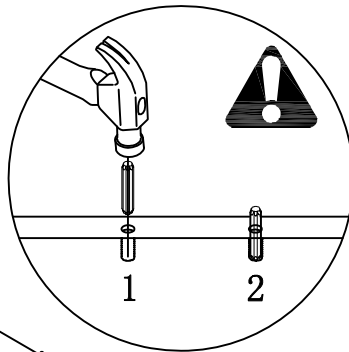
STEP 1

HARDWARE LIST	
Three-in-one connecting rod B  38PCS	

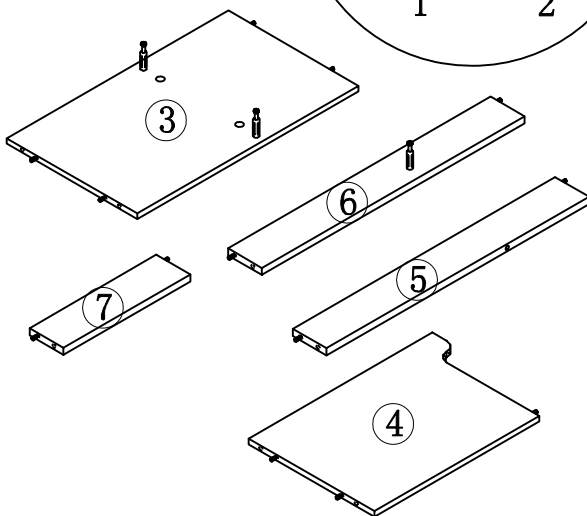
1. Put the three-in-one connecting rod in the $\phi 10\text{mm}$ hole of the following panels and tighten them with a cross screwdriver or an electric tool.


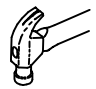


STEP 2

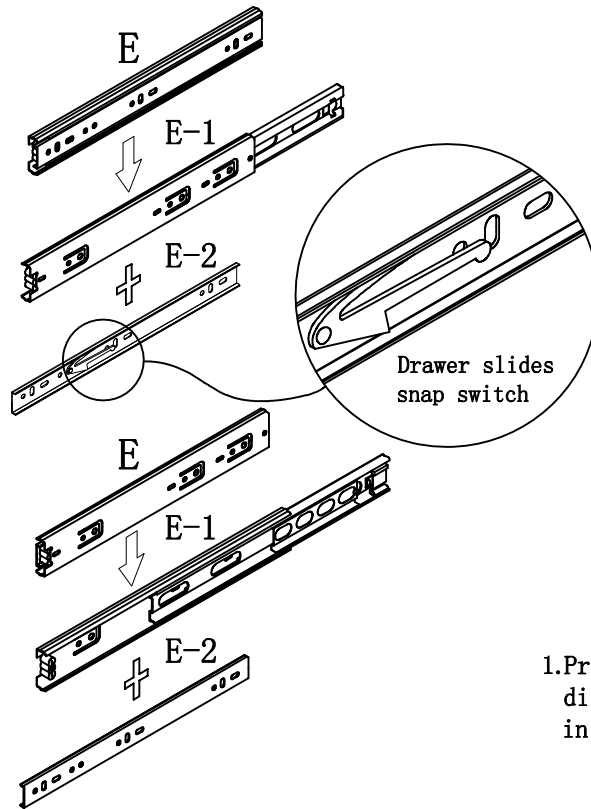


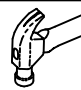

1. Strike the $\phi 8*40\text{mm}$ wood dowel pin into the $\phi 8\text{mm}$ hole of the above panels with an iron hammer. Please note that the hole of the three-in-one connecting rod should also be 8mm. The hole of the three-in-one connecting rod connects to the hole of $\phi 15\text{mm}$ three-in-one eccentric wheel.



HARDWARE LIST	
8*40mm wood dowel pins D  14PCS	

STEP 3

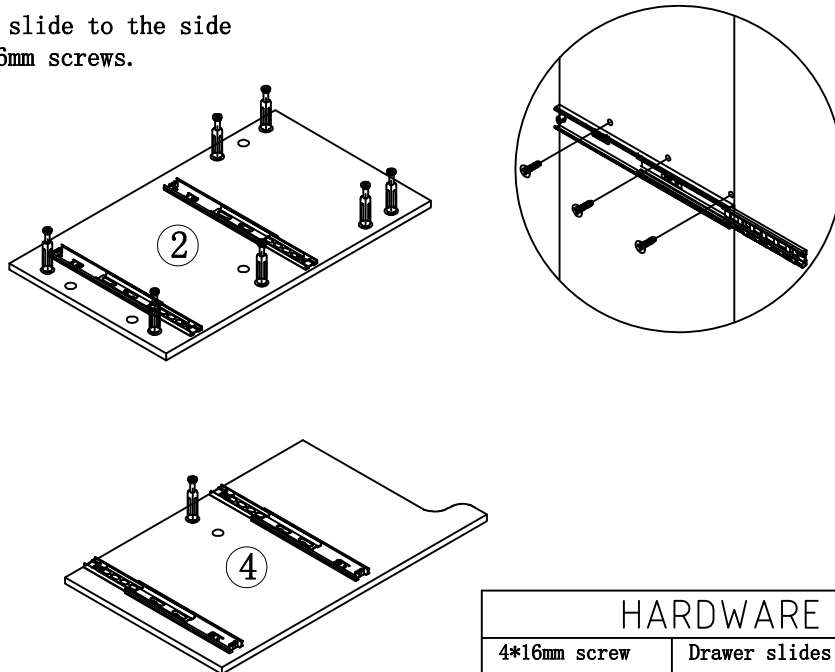


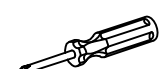

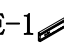
HARDWARE LIST	
Drawer slides	
E  4PCS	

1. Press the slide snap switch, disassemble slide blocks and put them in a place properly for further use.

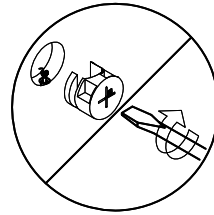
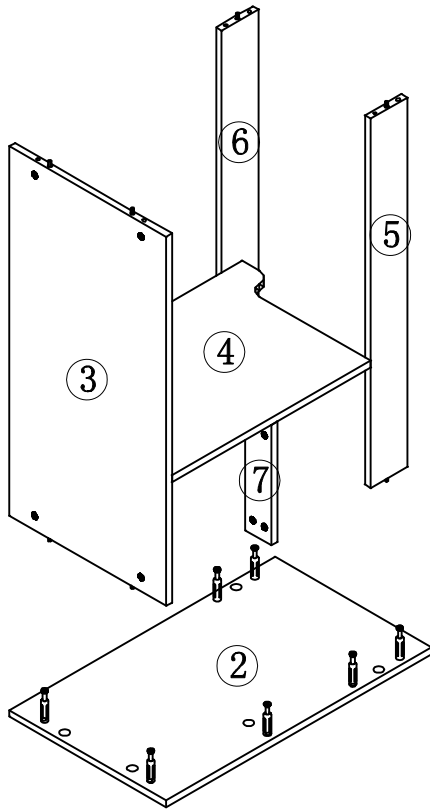
STEP 4

1. Fix the drawer slide to the side panel with 4*16mm screws.

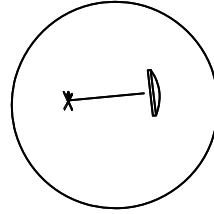


HARDWARE LIST		
4*16mm screw	Drawer slides	
F  12PCS	E-1  4PCS	




STEP 5



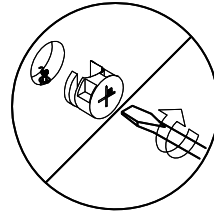
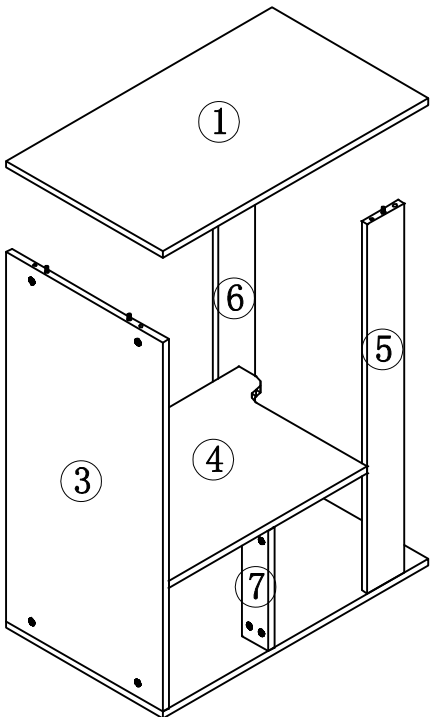
1. Connect No. 3-4-5-6-7 panel to No. 2 panel tightly with the three-in-one eccentric wheel.



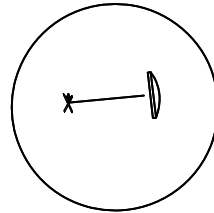
2. Cover the mounting hole of the eccentric wheel with a three-in-one sticker.

HARDWARE LIST		
Three-in-one eccentric wheel A  12PCS	Three-in-one sticker C  12PCS	




STEP 6



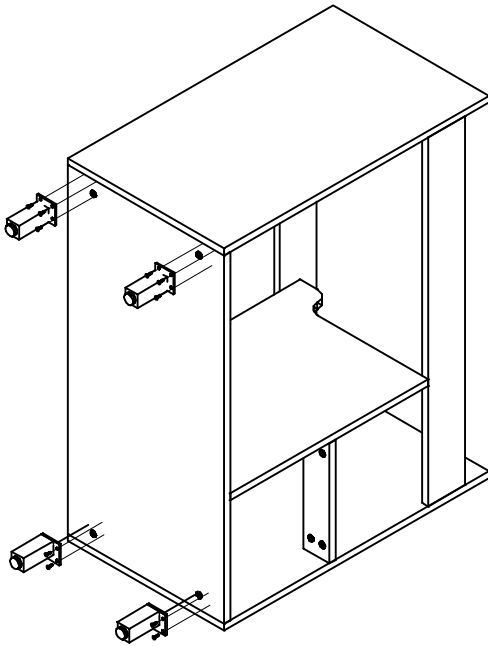
1. Connect No. 1 panel to No. 3-5-6 panel tightly with the three-in-one eccentric wheel.



2. Cover the mounting hole of the eccentric wheel with a three-in-one sticker.

HARDWARE LIST		
Three-in-one eccentric wheel A  6PCS	Three-in-one sticker C  6PCS	

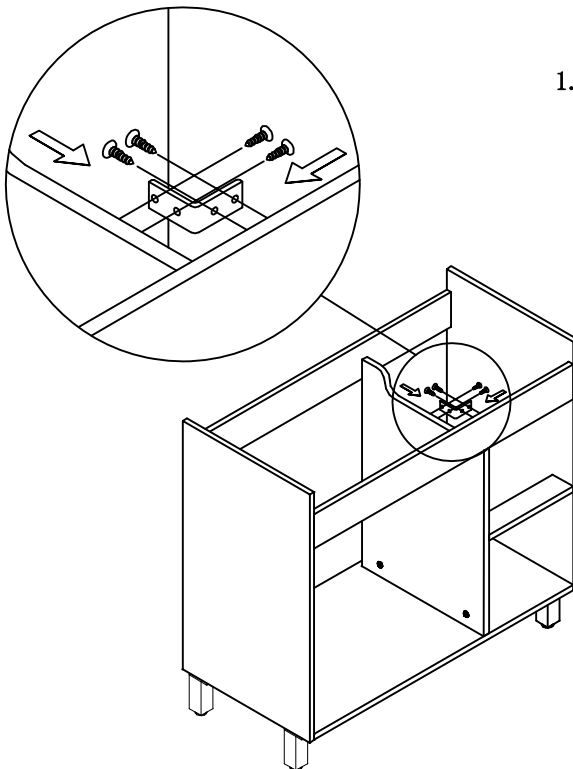
STEP 7



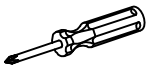


1. Fix feet of the cabinet with 4*16mm screws.

HARDWARE LIST		
4*16mm screw	Aluminum alloy leg	
F  12PCS	K  4PCS	

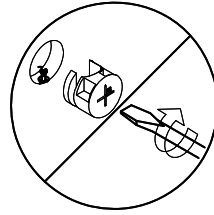
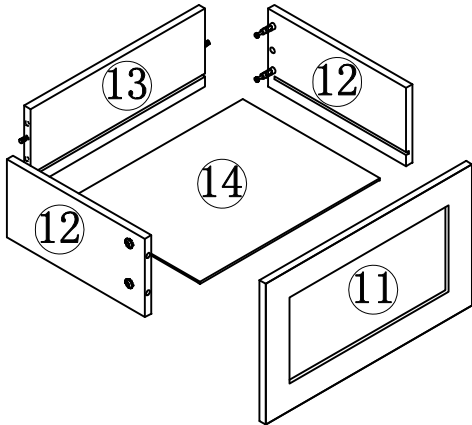
STEP 8



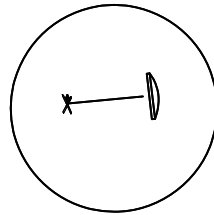
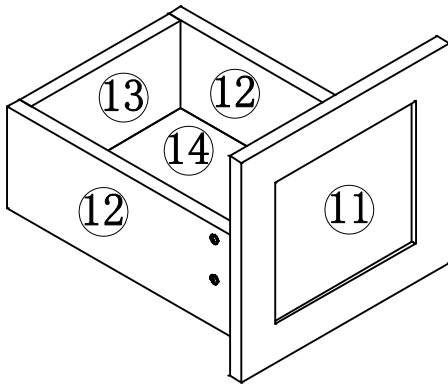
1. Install small angle bracket and reinforced middle partition.

HARDWARE LIST		
4*16mm screw	Small angle bracket	
F  4PCS	L  1PCS	




STEP 9



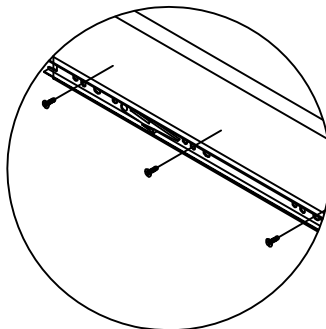
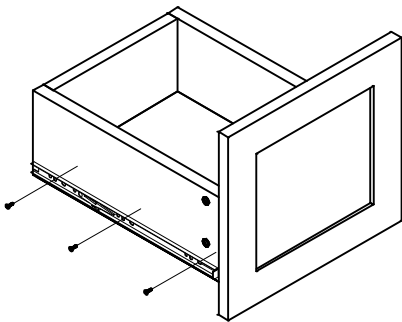
1. Install No. 11-12-13-14 panels with the three-in-one eccentric wheel tightly.





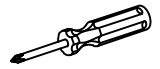
2. Cover the mounting hole of the eccentric wheel with a three-in-one sticker.

HARDWARE LIST		
Three-in-one eccentric wheel A  16PCS	Three-in-one sticker C  16PCS	

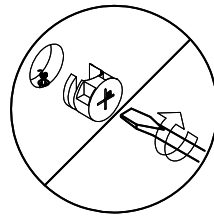
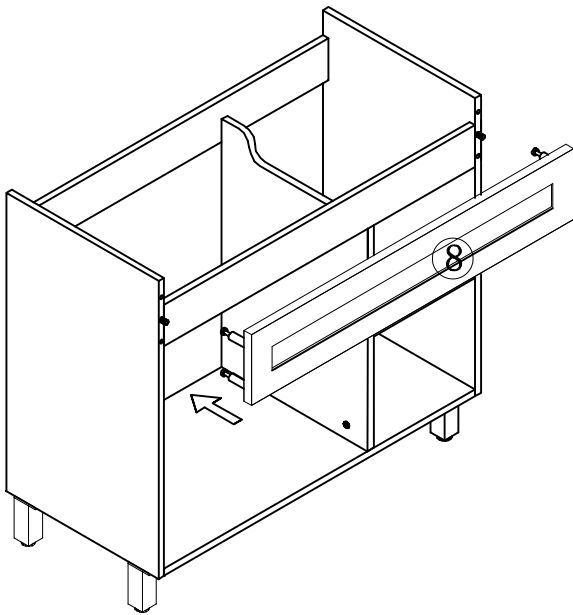
STEP 10



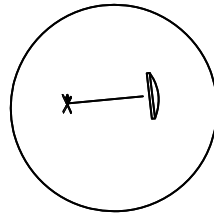
3. Lock the spare drawer slide block to the drawer.

HARDWARE LIST		
4*16mm screw F  12PCS	Drawer slides E-2  4PCS	




STEP 11



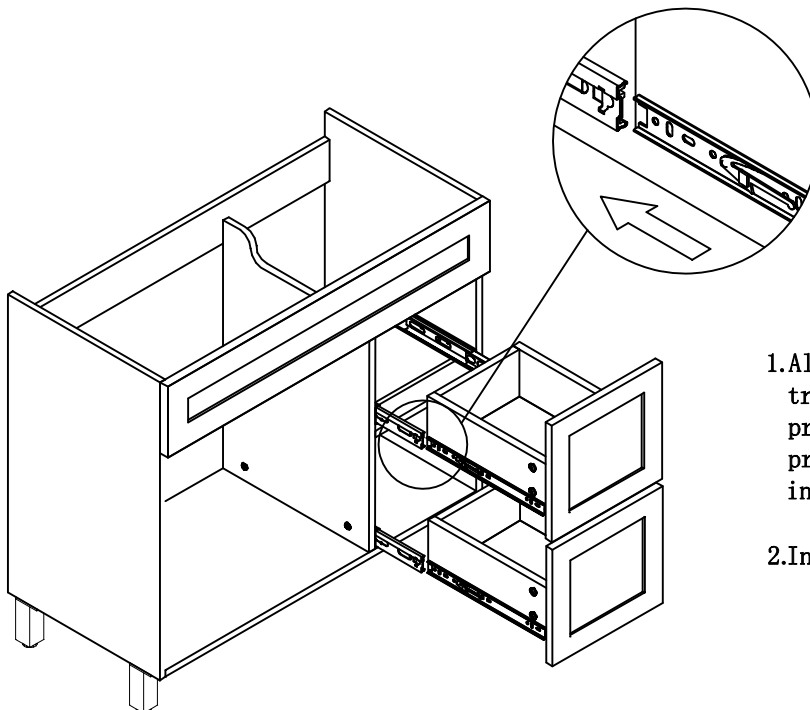
1. Install No. 8 panels with the three-in-one eccentric wheel tightly.



2. Cover the mounting hole of the eccentric wheel with a three-in-one sticker.

HARDWARE LIST		
Three-in-one eccentric wheel A  4PCS	Three-in-one sticker C  4PCS	

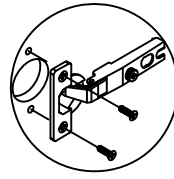
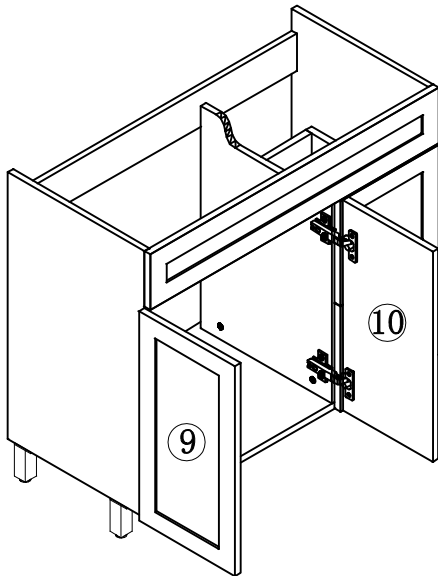
STEP 12



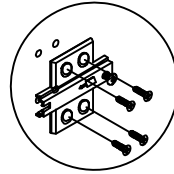
1. Align slide block with the trough on the guide rail, press the snap switch and press it forward to install the drawer.

2. Install drawer handles.

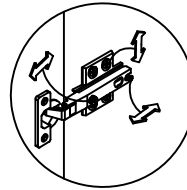
STEP 13



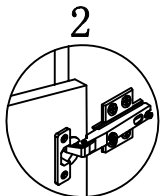
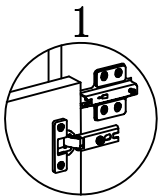
1. Install the hinge cup to the door panel with 4*16mm screws.



2. Install the hinge to the side panel with 4*16mm screws.



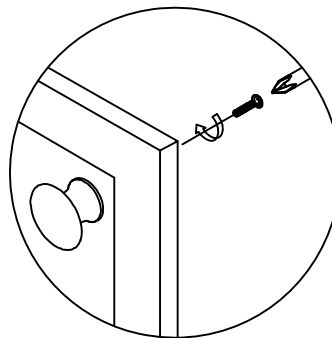
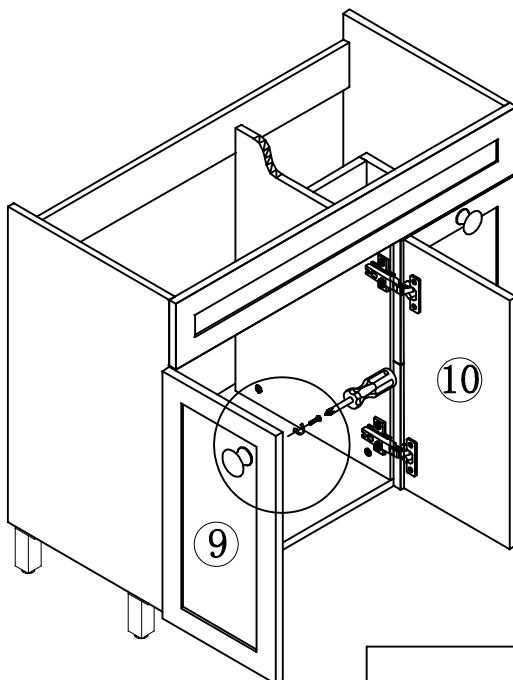
4. Adjust the door panel clearance.







3. Install the hinge cup on the door panel to the hinge of the side panel.

HARDWARE LIST		
4*16mm screw	Door hinge	
F  24PCS	M  4PCS	

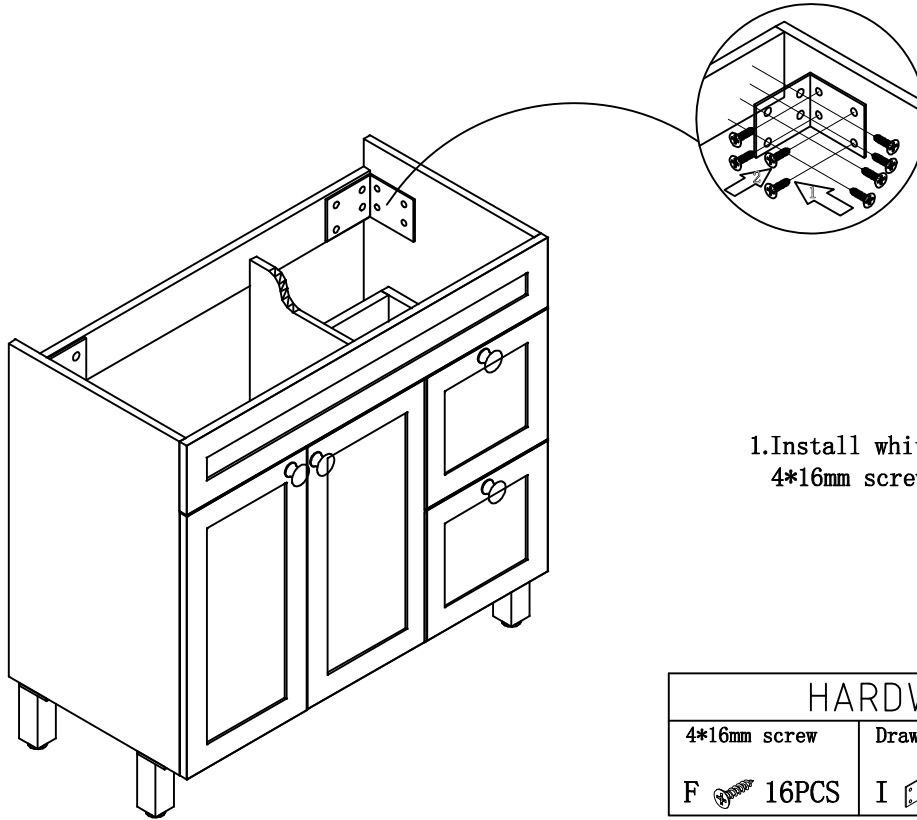
STEP 14



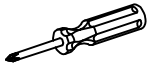

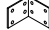
1. Install the door handle with 4*23mm screws.

HARDWARE LIST			
4*23mm screw	Door handle	Drawer handle	
G  4PCS	H  2PCS	J  2PCS	

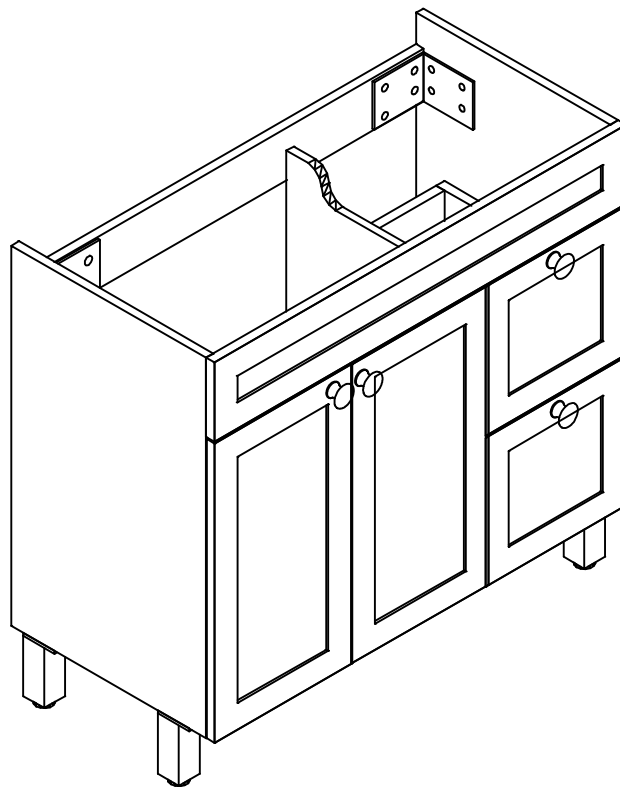
STEP 15



1. Install white angle bracket with 4*16mm screws.

HARDWARE LIST		
4*16mm screw	Drawer slides	
F  16PCS	I  2PCS	

STEP 16





Choking hazard-Small Parts : This unit contains small parts, not for children under 3 years.

Tip-over hazard : Secure finished unit to wall stud using L-Bracket and wall screw (#10*1.5"W/out provided). If a wall stud is not neccessible , Consault your local hardware store for appropriate mounting hardware . Failure to properly install will result in product collapse or tip-over. Serious injury can occur .