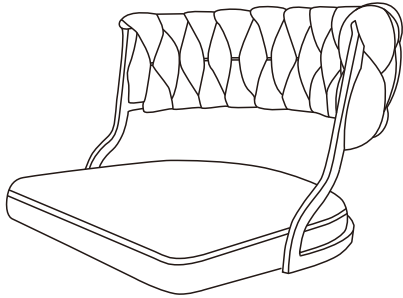
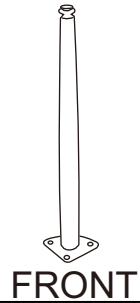


# ASSEMBLY INSTRUCTION

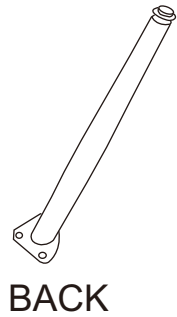
Ax1



Bx2



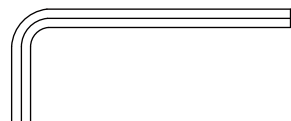
Cx2



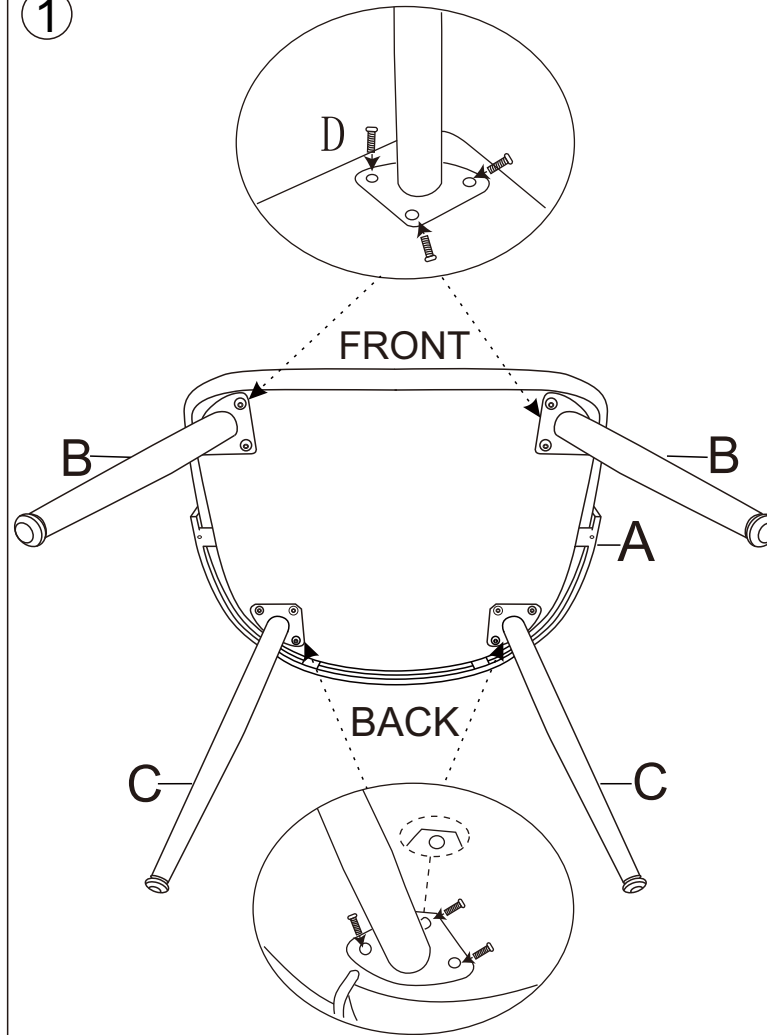
Dx12



Ex1

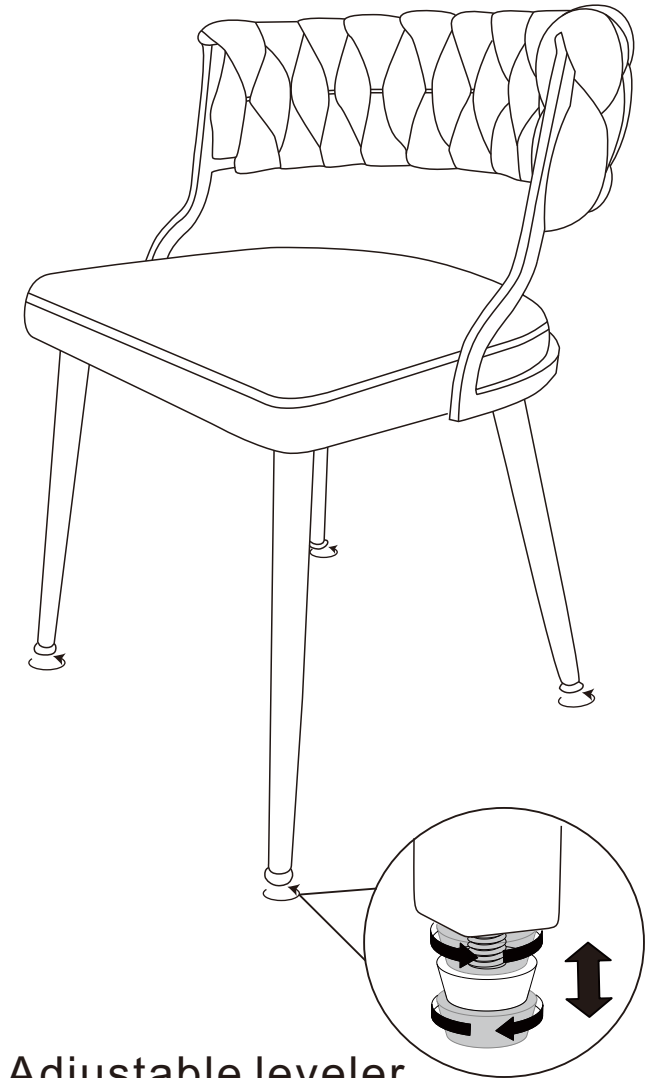


①



Warning!!!  
PUT ALL SCREWS IN THE HOLE,  
THEN TIGHTEN ONE BY ONE.

②



Adjustable leveler