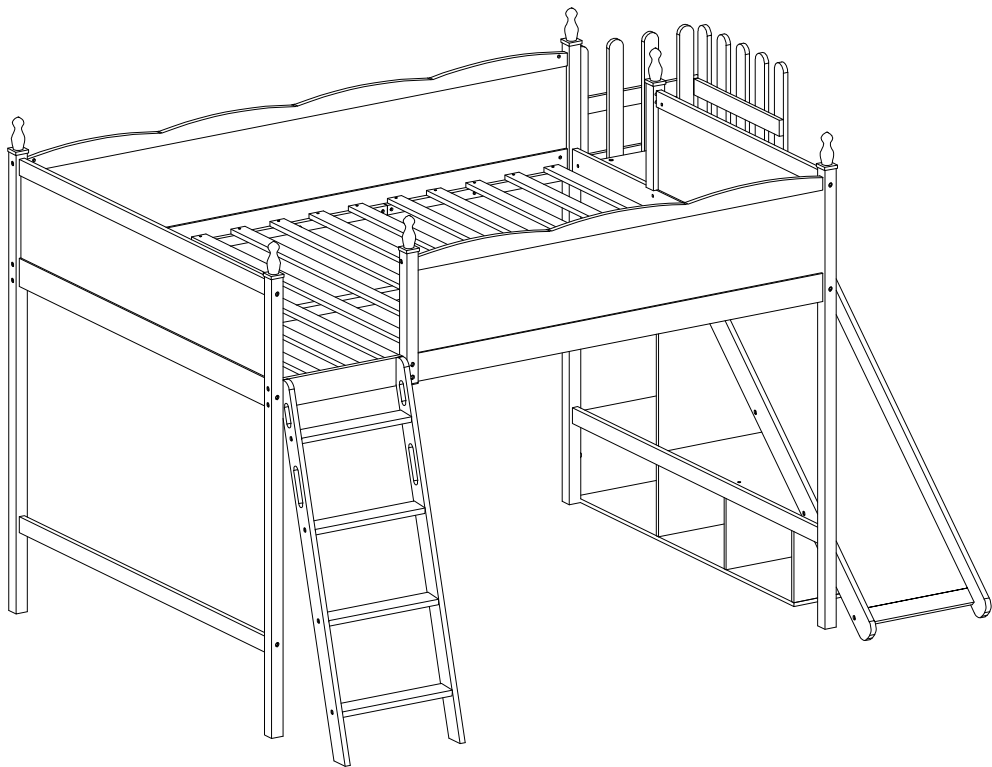


ASSEMBLY INTRUCTIONS

ITEM CODE : H00029
FULL LOFT BED



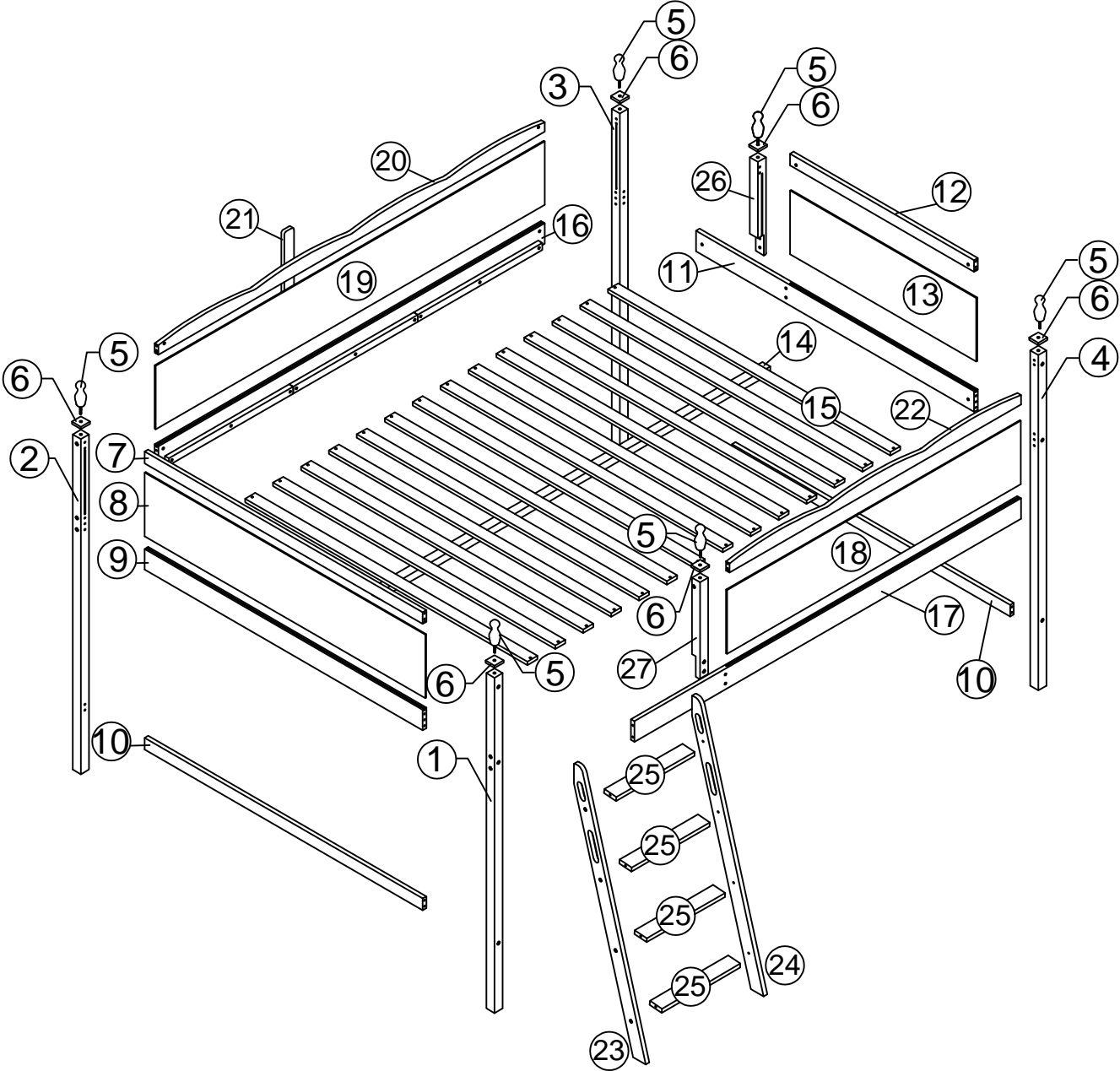
! SAFETY WARNINGS !

1. This bed is designed for use only mattress(es) meeting the following specifications on the upper bunk:

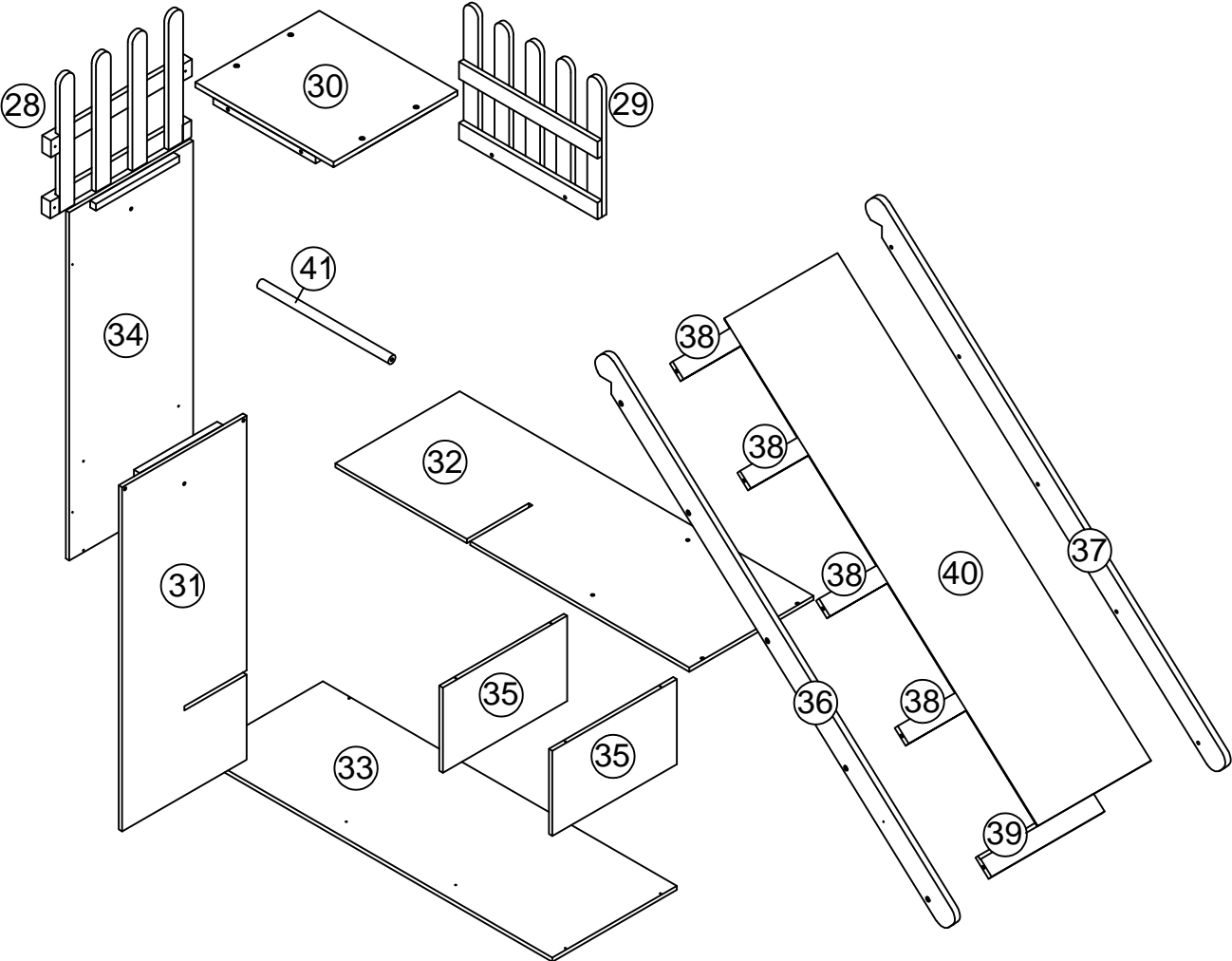
Bed type	Legth	Width	Thickness
Full Standard	75"	54 "	6" max

2. Replacement parts, including additional guardrails, may be obtained from any of our (YEUK FUNG GQ INTERNATIONAL LIMITED. FLAT/RM 1602, 16/F MULTIFIELD COMMERCIAL CENTRE, 426 SHANGHAI STREET MONGKOK KL, 999077) dealers
3. Follow the information on the warnings appearing on the upper bunk bed end structure and on the carton. Do not remove warning label from bed.
4. Always use the recommended size mattresses or mattress supports, or both, to help prevent the likelihood of entrapment or falls.
5. Surface of the mattress must be at least 5 in. (127 mm) below the upper edge of guardrails.
6. Do not allow children under 6 years of age to use the upper bunk.
7. Periodically check and ensure that the guardrail, ladder, and other components are in their proper position, free from damage, and that all connectors are tight.
8. Do not allow horseplay on or under the bed and prohibit jumping on the bed
9. Always use the ladder for entering and leaving the upper bunk.
10. Do not use substitute parts. Contact the manufacturer or dealer for replacement parts.
11. Use of a night light may provided added safety precaution for a child using the upper bunk.
12. Always use guardrails on both long sides of the upper bunk. If the bunk bed will be placed next to the wall, the guardrail that runs the full length of the bed should be placed against the wall to prevent entrapment between the bed and wall.
13. The use of water or sleep flotation mattresses is prohibited.
14. **STRANGULATION HAZARD** – Never attach or hang items to any part of the bunk bed that are not designed for use with the bed; for axample, but not limited, hook, belts and jump ropes.
15. Keep these instructions for future reference
16. Prohidit more than one person on upper bunk .
17. We recommend assembling your bunk bed on the shipping carton to protect your floor or carpet .
18. Be caertain all staples are out of the box before beginning assembly on the shipping carton .

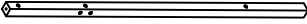
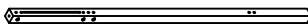

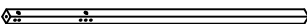



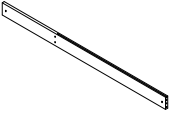
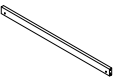
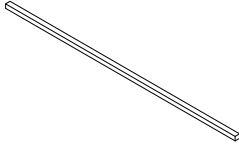
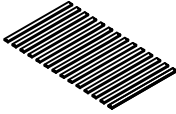
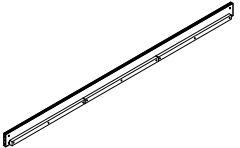
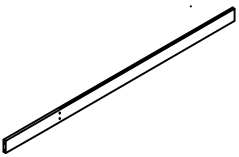
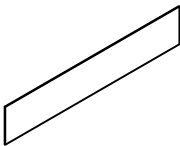
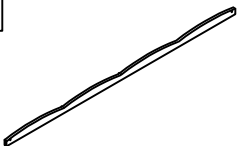











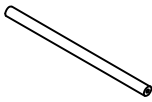

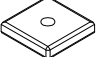
DETAIL VIEW



DETAIL VIEW

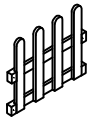


Part Lists: H00029 - Box :1

<p>1</p>  <p>Front leg (left) - 1pc</p>	<p>2</p>  <p>Rear leg (left) - 1pc</p>	<p>3</p>  <p>Rear leg (right) - 1pc</p>	<p>4</p>  <p>Front leg (right) - 1pc</p>
<p>7</p>  <p>Top bar (left) - 1pc</p>	<p>9</p>  <p>Lower bar (left) - 1pc</p>	<p>10</p>  <p>Bottom bar (Left/right) - 2pcs</p>	<p>11</p>  <p>Lower bar (right) - 1pc</p>
<p>12</p>  <p>Top bar (right) - 1pc</p>	<p>14</p>  <p>Support center bar- 1pc</p>	<p>15</p>  <p>Slats - 14pcs</p>	<p>16</p>  <p>Bed shoulder (rear)- 1pc</p>
<p>17</p>  <p>Bed shoulder (front)- 1pc</p>	<p>19</p>  <p>Back panel - 1pc</p>	<p>20</p>  <p>Rear crossbar (upper) - 1pc</p>	<p>21</p>  <p>Rear link bar- 1pc</p>
<p>22</p>  <p>Front crossbar (upper) - 1pc</p>	<p>23</p>  <p>Left vertical bar (stairs) - 1pc</p>	<p>24</p>  <p>Right vertical bar (stairs) - 1pc</p>	<p>25</p>  <p>Stairs - 4pcs</p>
<p>26</p>  <p>Post vertical rail - left - 1pc</p>	<p>27</p>  <p>Post vertical rail - front - 1pc</p>	<p>36</p>  <p>Left leg (slide)- 1pc</p>	<p>37</p>  <p>Right leg (slide) - 1pc</p>
<p>38</p>  <p>Crossbar (slide) - 4pcs</p>	<p>39</p>  <p>Under - crossbar (slide)- 1pc</p>	<p>41</p>  <p>Round bar- 1pc</p>	
<p>5</p>  <p>(Wood)Top decor - leg (6pcs)</p>	<p>6</p>  <p>(Wood)Top decor - leg (6pcs)</p>		

Part Lists: H00029 - Box: 2

28



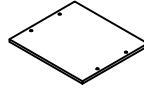
Rear railing frame - 1pc

29



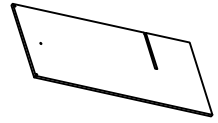
Side railing frame - 1pc

30



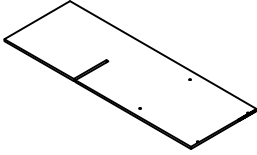
Top panel - 1pc

31



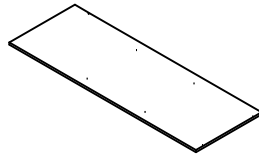
Shelf panel - 1pc

32



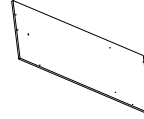
Shelf panel - 1pc

33



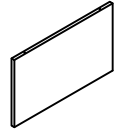
Bottom panel - 1pc

34



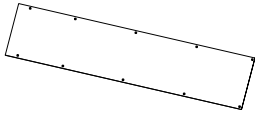
Outside vertical panel - 1pc

35



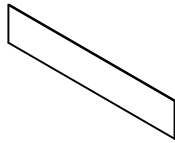
Divide panel - 2pcs

40



Panel (slide) - 1pc

8



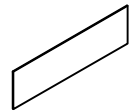
Panel (left) - 1pc

13



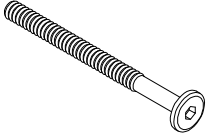
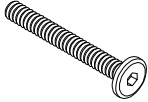

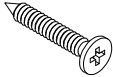

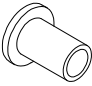
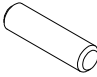
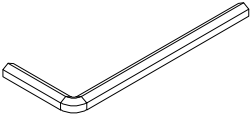

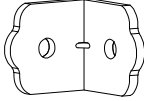


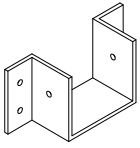
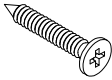
Panel (right) - 1pc

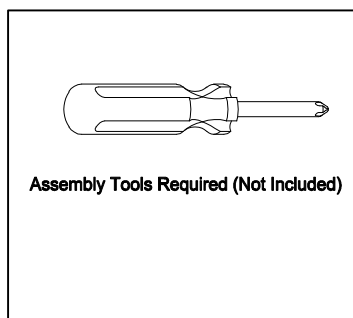
18



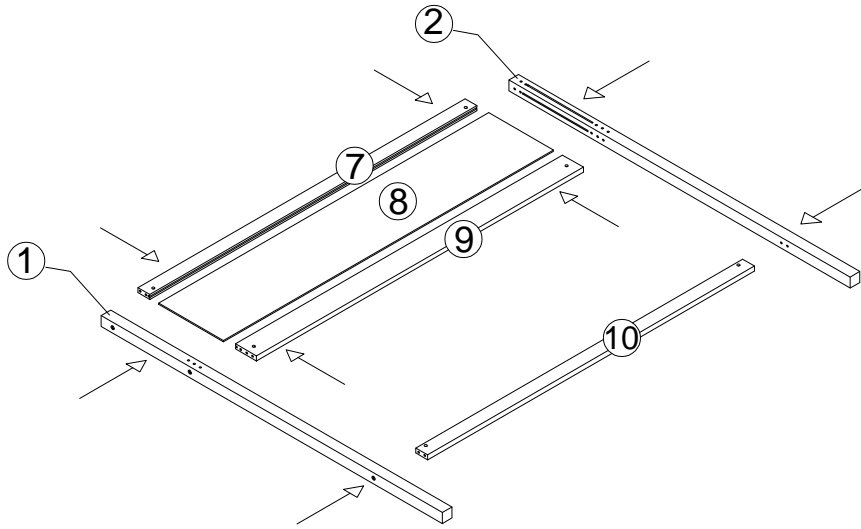
Front panel - 1pc

HARDWARE LIST : H00029 - Box:1

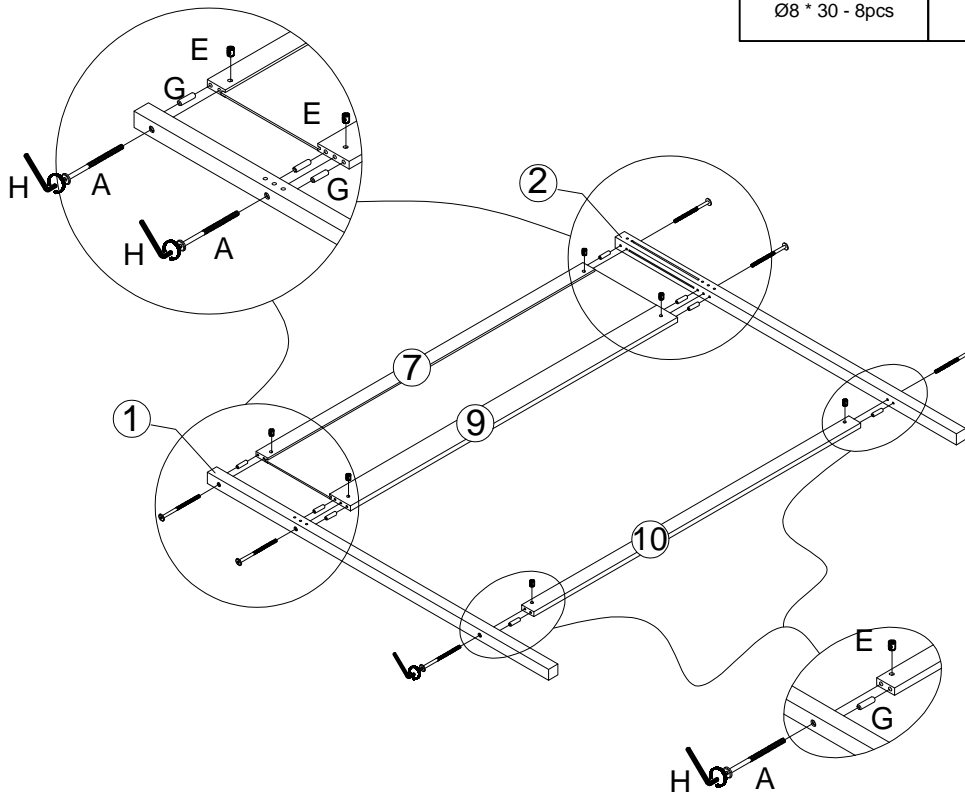
<p>A</p>  <p>Hex - Head bolts / Ø1/4" * 80- 24pcs</p>	<p>B</p>  <p>Hex - Head bolts / Ø1/4" * 60- 18pcs</p>	<p>C</p>  <p>Hex - Head bolts / Ø1/4" * 25 - 3pcs</p>	<p>D</p>  <p>Wood screws M4 * 25 - 46pcs</p>
<p>E</p>  <p>Horizontal - Hold bolts Ø1/4" - 42pcs</p>	<p>F</p>  <p>Canopy head though Ø1/4" - 3pcs</p>	<p>G</p>  <p>Wood dowel Ø8 * 30 - 50pcs</p>	<p>H</p>  <p>Allen key K4 - 2pcs</p>
<p>K</p>  <p>Hex - Head bolts Ø1/4" * 30 - 9pcs</p>	<p>L</p>  <p>Plate - L 16 * 16 * 1 - 3pcs</p>	<p>M</p>  <p>Wood screws M3 * 12 - 16pcs</p>	<p>O</p>  <p>Wood screws M4 * 55 - 4pcs</p>
<p>N</p>  <p>U-shaped bas 2pcs</p>	<p>Q</p>  <p>Wood screws M4 * 15 - 10pcs</p>		




STEP 1






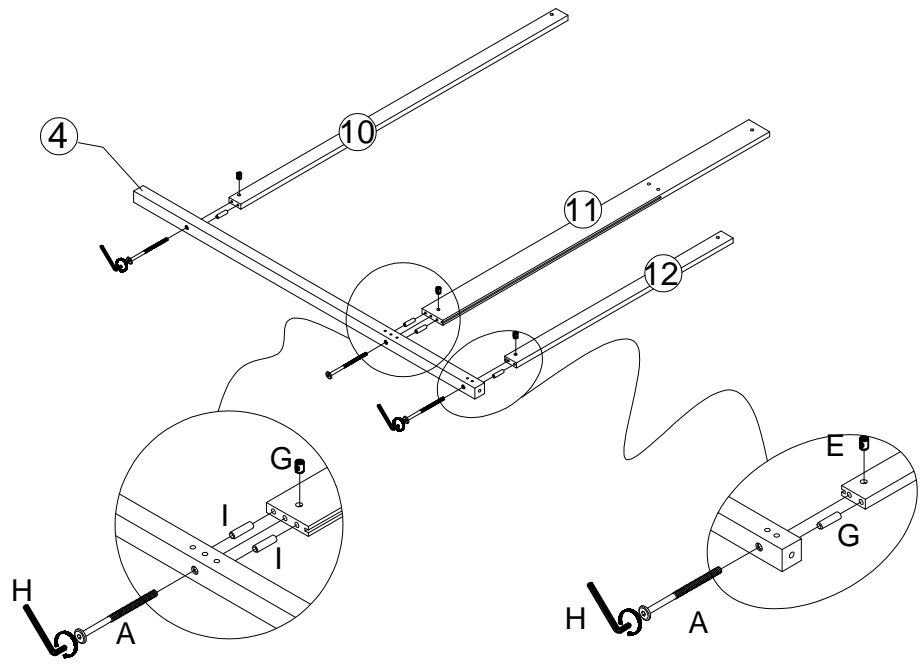
STEP 2








G  Ø8 * 30 - 8pcs	E  Ø1/4" - 6pcs	A  Ø1/4" * 80 - 6pcs
---	---	--

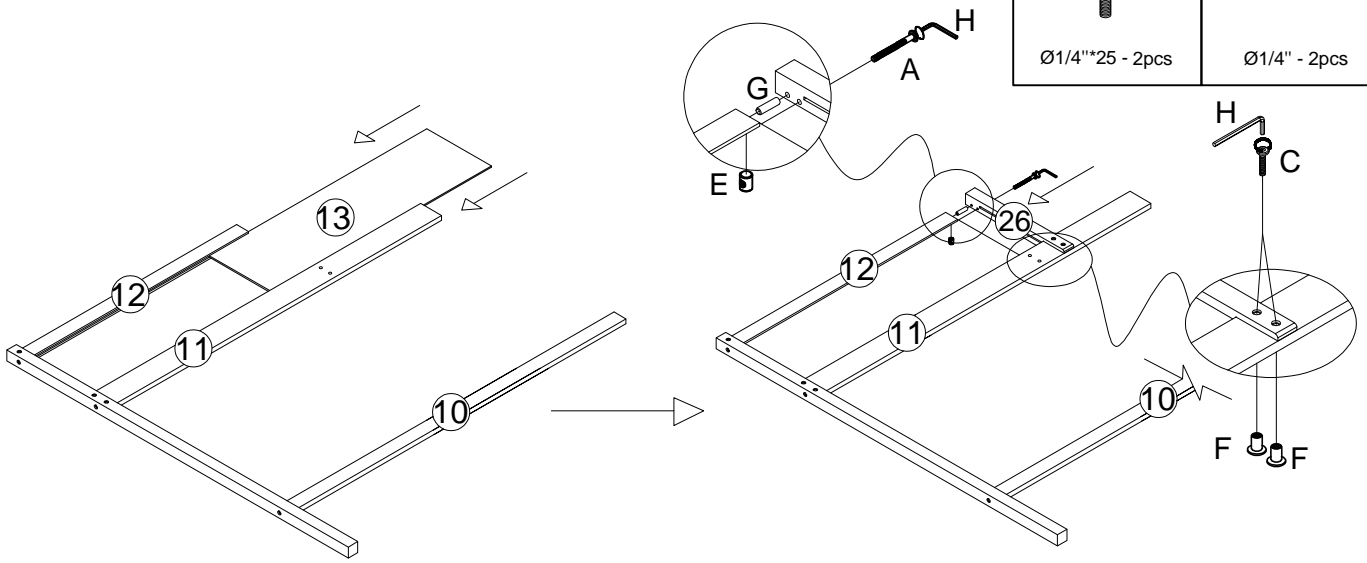
STEP 3

<p>G</p>  <p>Ø8 * 30 - 4pcs</p>	<p>E</p>  <p>Ø1/4" - 3pcs</p>	<p>A</p>  <p>Ø1/4" * 80 - 3pcs</p>
---	---	--

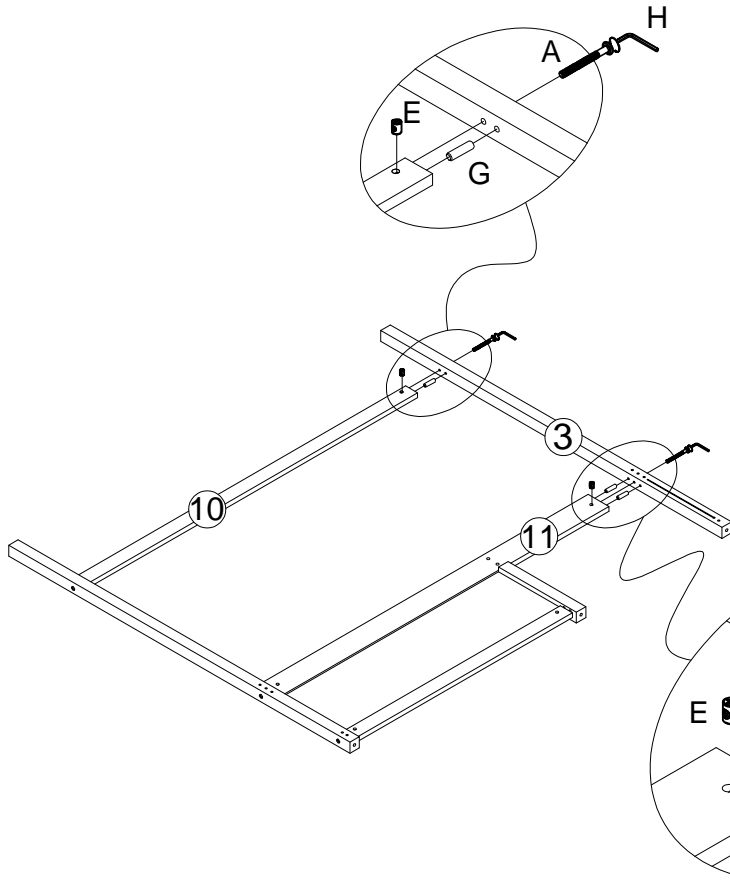





STEP 4

<p>G</p>  <p>Ø8 * 30 - 1pc</p>	<p>E</p>  <p>Ø1/4" - 1pc</p>	<p>A</p>  <p>Ø1/4" * 80 - 1pc</p>
<p>C</p>  <p>Ø1/4"*25 - 2pcs</p>	<p>F</p>  <p>Ø1/4" - 2pcs</p>	

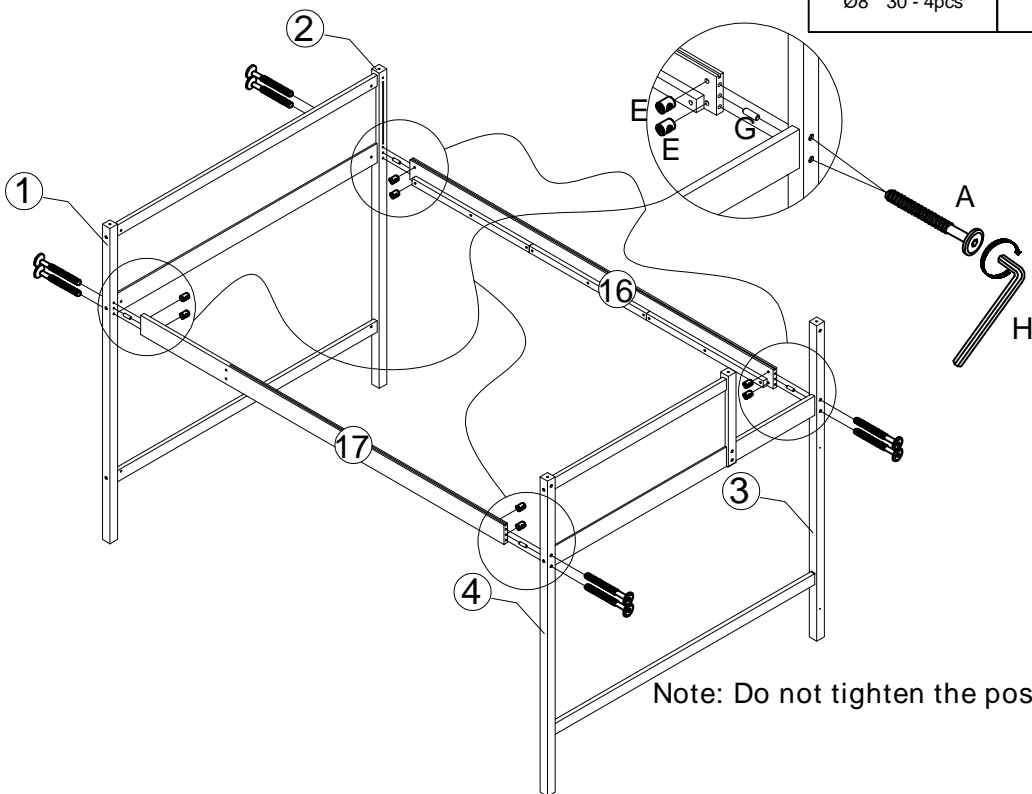





STEP 5



<p>G</p>  <p>Ø8 * 30 - 3pcs</p>	<p>E</p>  <p>Ø1/4" - 2pcs</p>	<p>A</p>  <p>Ø1/4" * 80 - 2pcs</p>
---	---	--

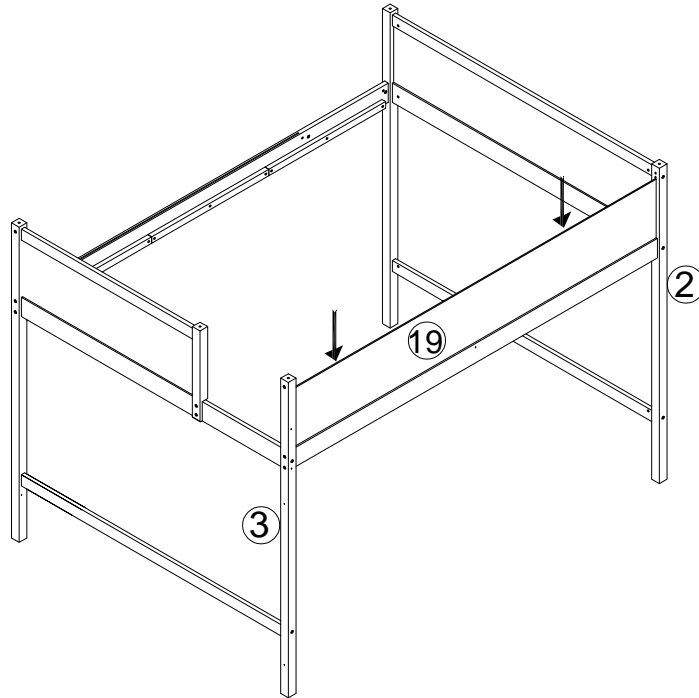
STEP 6



<p>G</p>  <p>Ø8 * 30 - 4pcs</p>	<p>E</p>  <p>Ø1/4" - 8pcs</p>	<p>A</p>  <p>Ø1/4" * 80 - 8pcs</p>
---	---	--

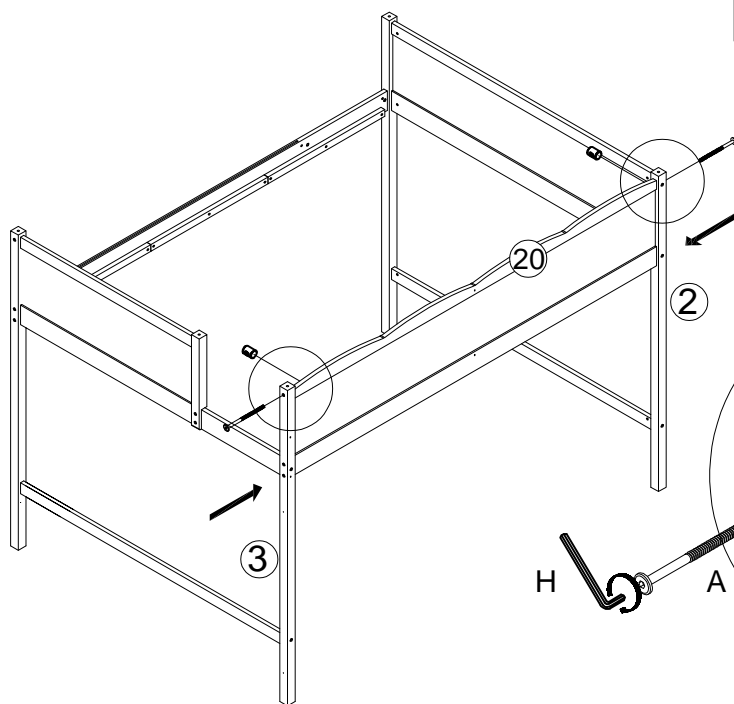
Note: Do not tighten the position ②, ⑬ and ③, ⑬.




STEP 7

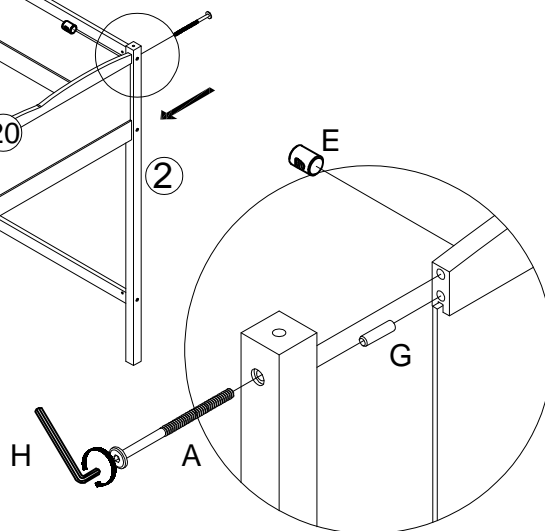


- Place board 19 in position as shown in the image.

STEP 8



G  Ø8 * 30 - 2pcs	E  Ø1/4" - 2pcs	A  Ø1/4" * 80 - 2pcs
---	---	--

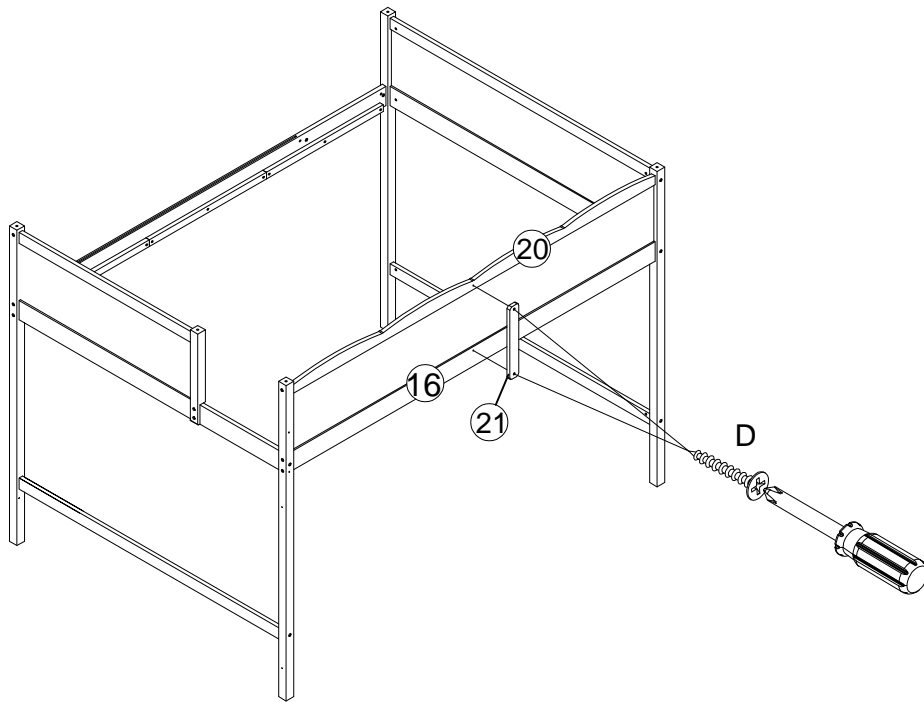


STEP 9

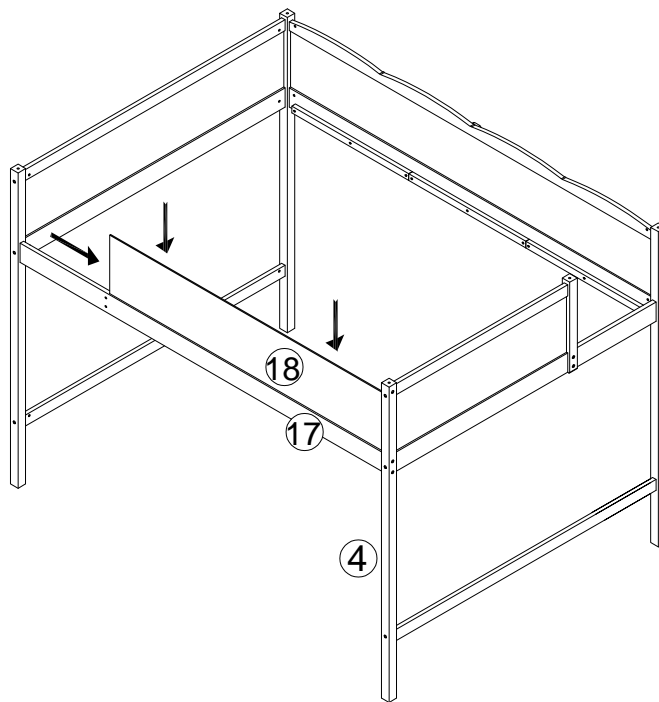
D



M4*25 - 2pcs






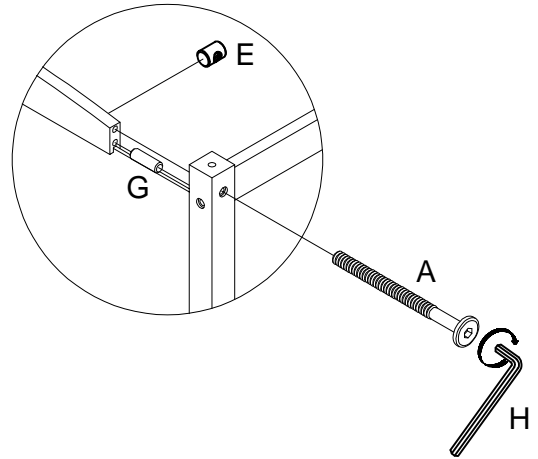
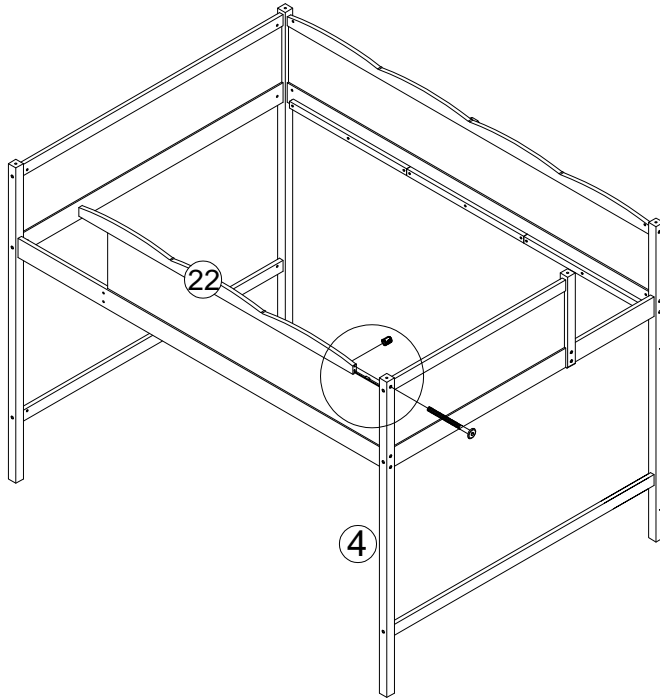
STEP 10









- Place board ⑱ on top of bar ⑰, then push it against leg number ④.

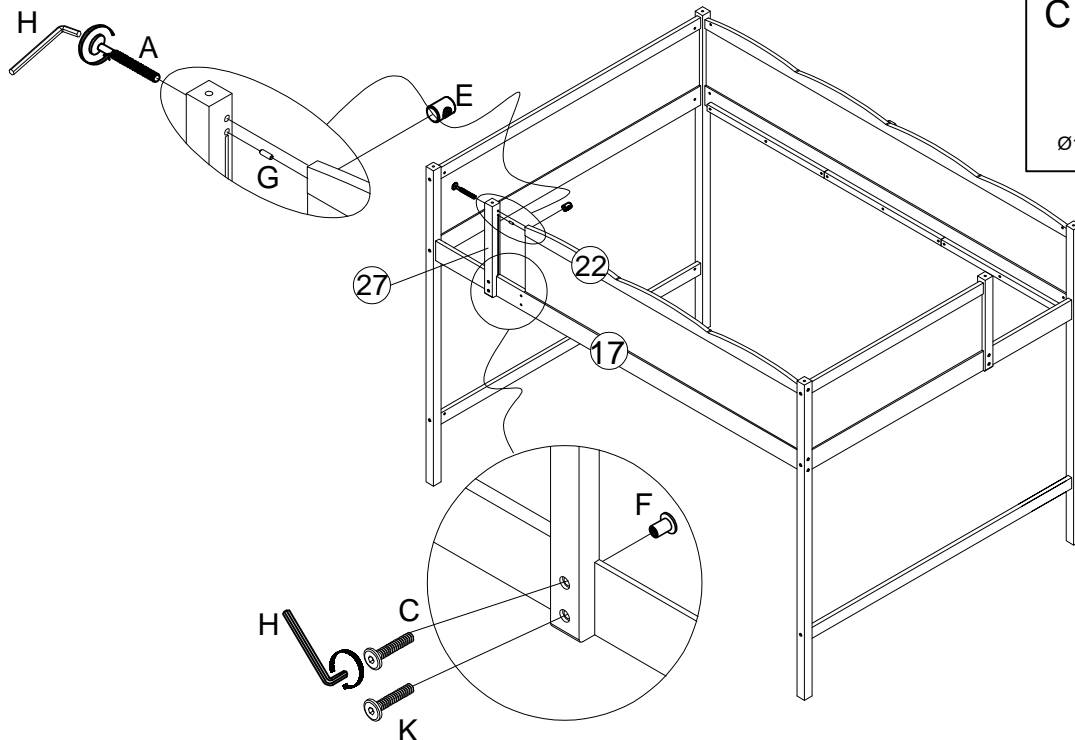
STEP 11

<p>G</p>  <p>Ø8 * 30 - 1pc</p>	<p>E</p>  <p>Ø1/4" - 1pc</p>	<p>A</p>  <p>Ø1/4" * 80 - 1pc</p>
--	--	---






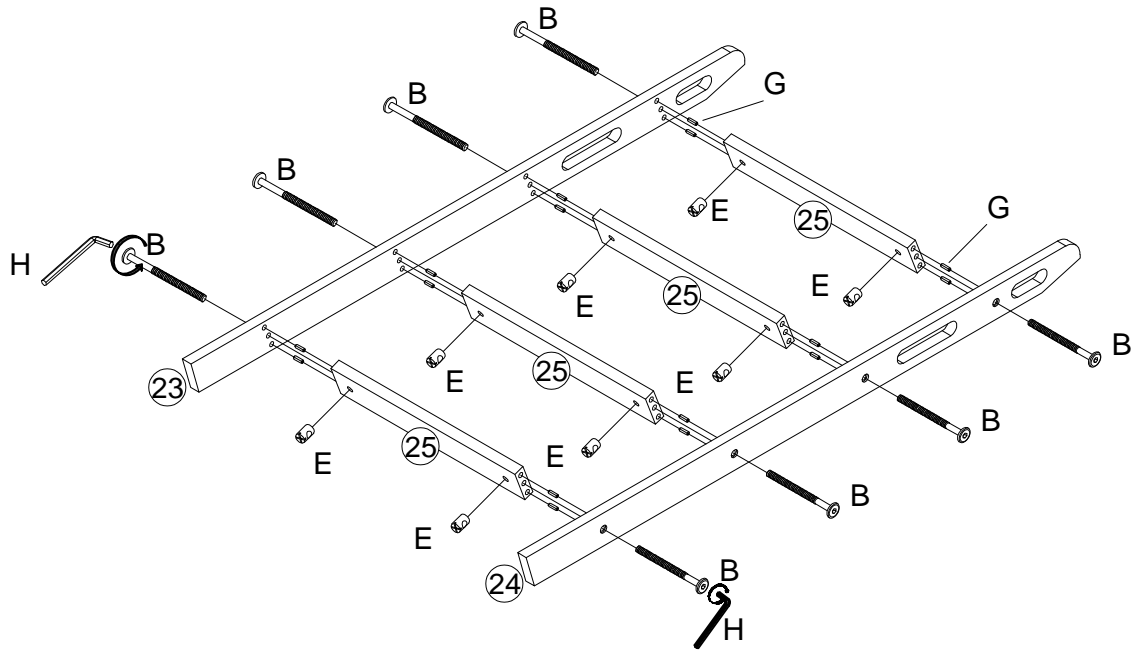
STEP 12

<p>K</p>  <p>Ø1/4" * 30 - 1pc</p>	<p>G</p>  <p>Ø8 * 30 - 1pc</p>	<p>E</p>  <p>Ø1/4" - 1pc</p>	<p>A</p>  <p>Ø1/4" * 80 - 1pc</p>
<p>C</p>  <p>Ø1/4" * 25 - 1pc</p>		<p>F</p>  <p>Ø1/4" - 1pc</p>	


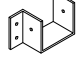



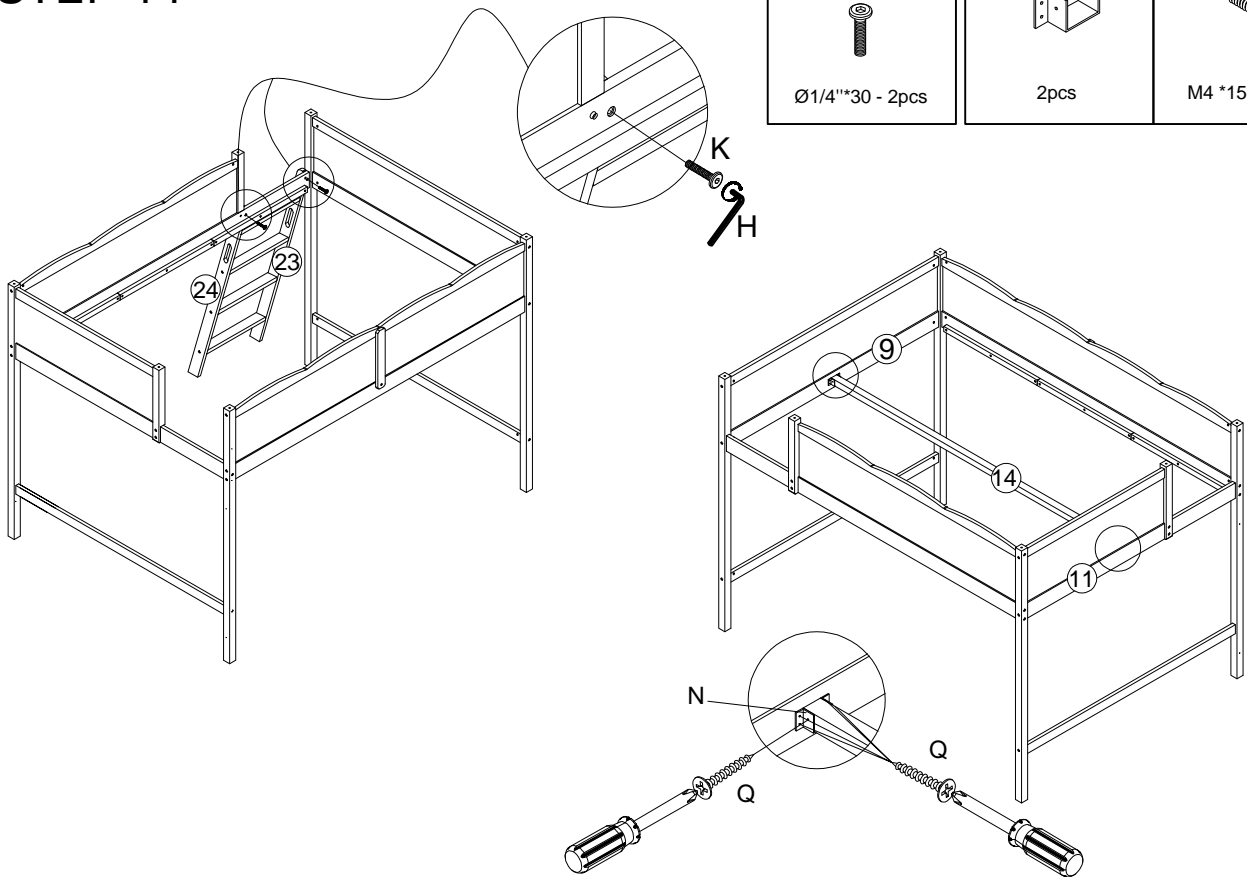
STEP 13

<p>G</p>  <p>Ø8 * 30 - 16pcs</p>	<p>E</p>  <p>Ø1/4" - 8pcs</p>	<p>B</p>  <p>Ø1/4" * 60 - 8pcs</p>
--	---	--



STEP 14

<p>K</p>  <p>Ø1/4" * 30 - 2pcs</p>	<p>N</p>  <p>2pcs</p>	<p>Q</p>  <p>M4 * 15 - 10pcs</p>
--	---	--

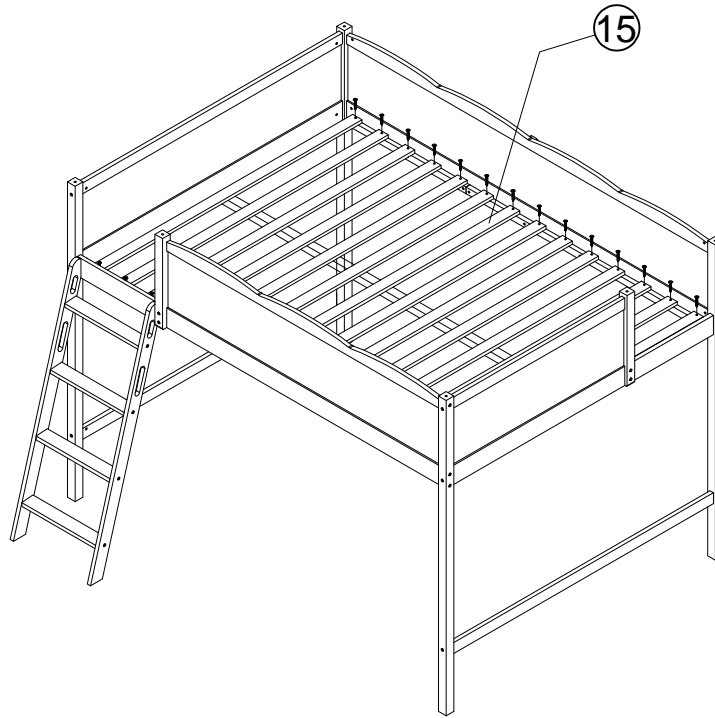
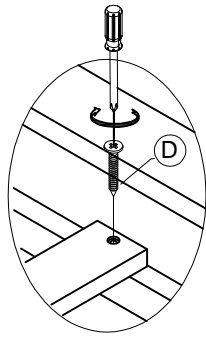


STEP 15

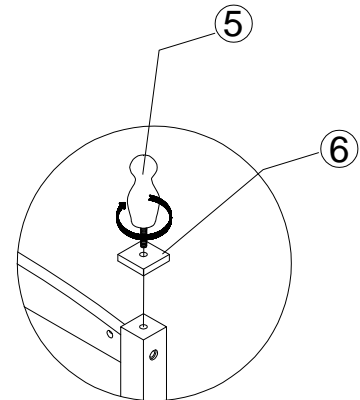
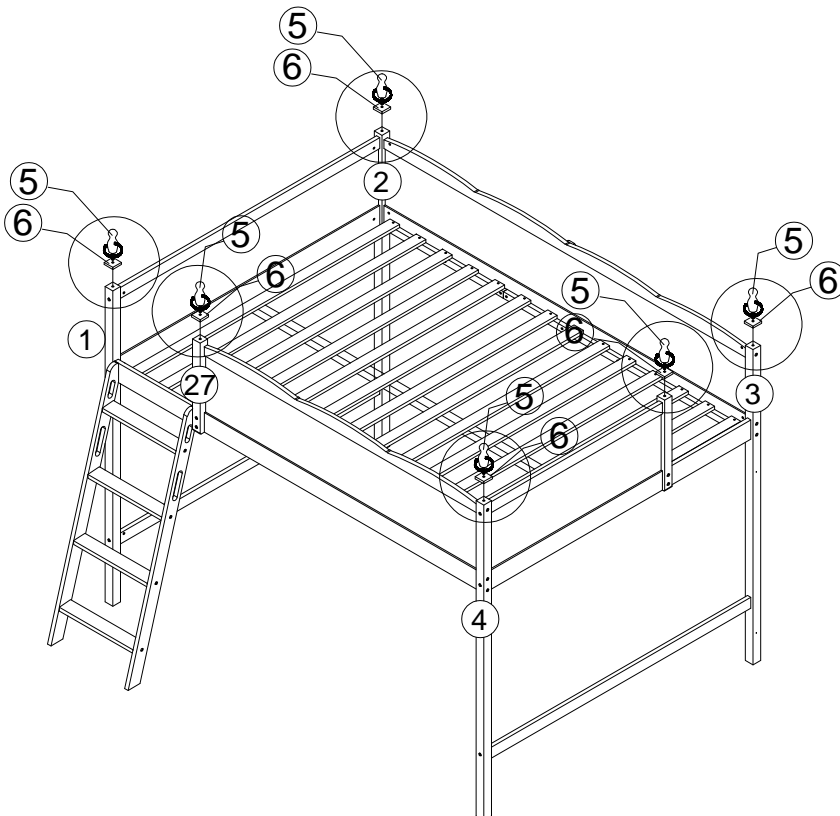
D



M4 * 25 - 28pcs



STEP 16

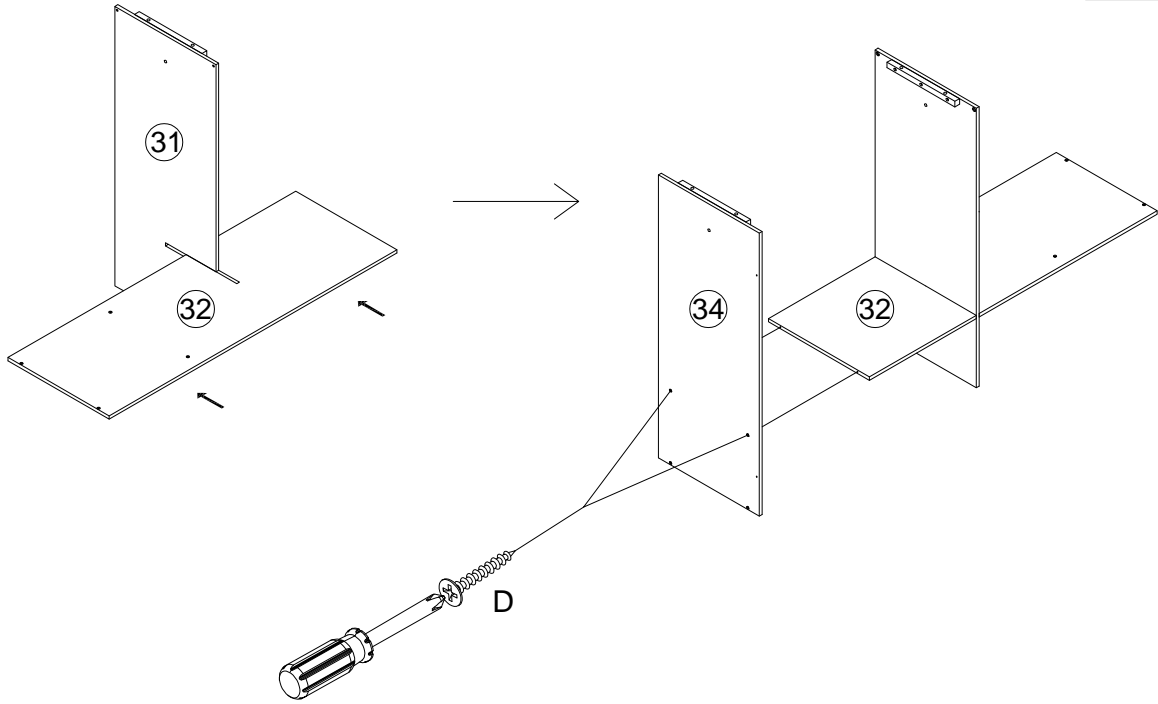


STEP 17

D



M4 * 25 - 2pcs



STEP 18

D

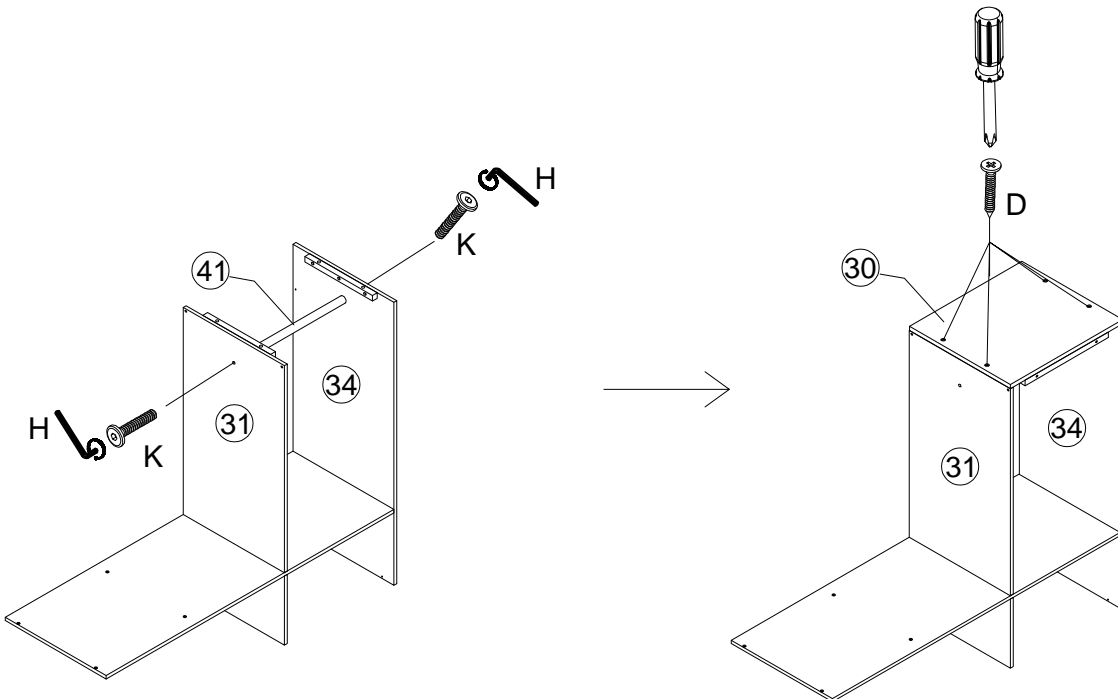


M4 * 25 - 4pcs

K



Hex - Head bolts
Ø1/4" * 30 - 2pcs

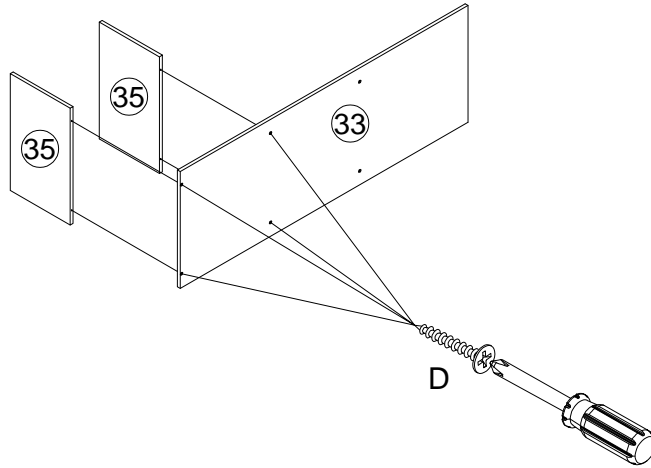


STEP 19

D



M4 * 25 - 4pcs

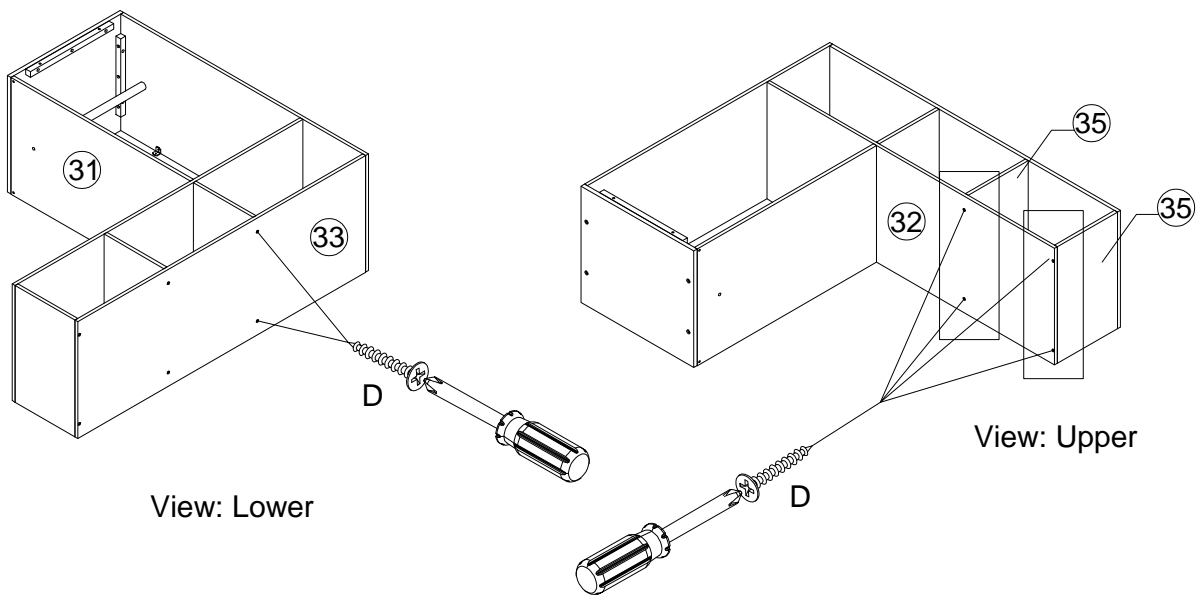


STEP 20

D



M4 * 25 - 6pcs



View: Lower

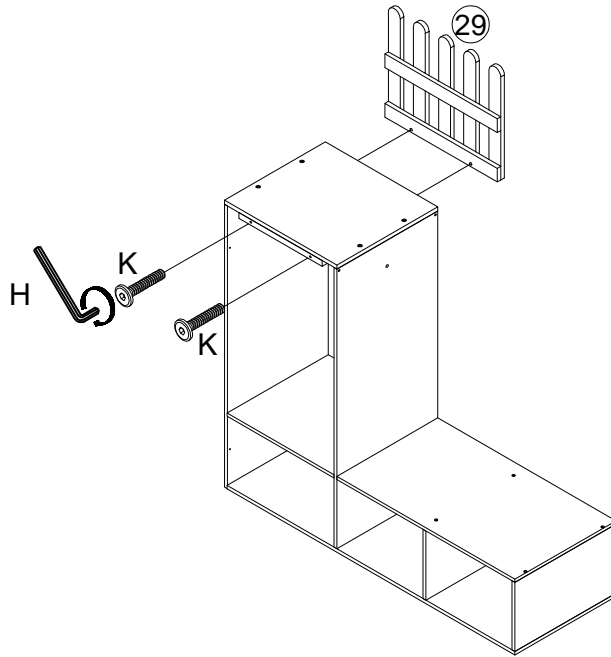
View: Upper

STEP 21

K



Ø1/4" * 30 - 2pcs



STEP 22

G



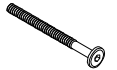
Ø8 * 30 - 10pcs

E

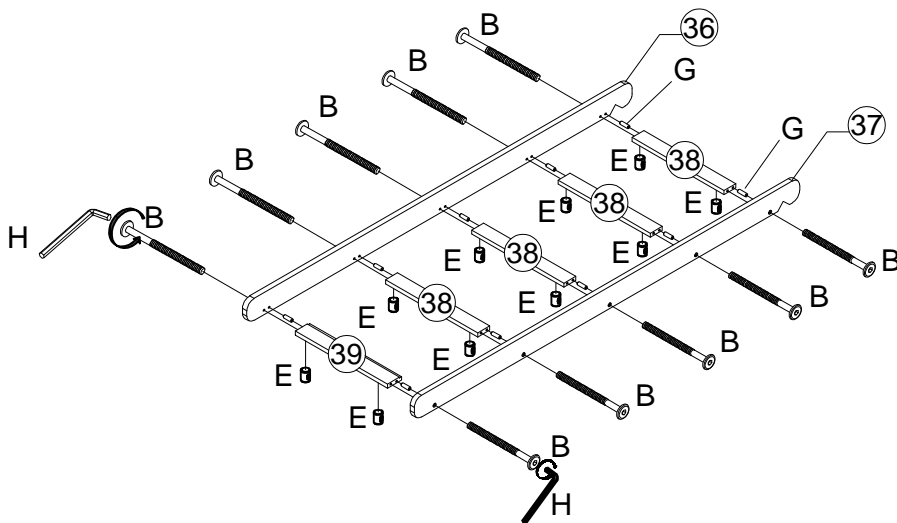


Ø1/4" - 10pcs

B



Ø1/4" * 60 - 10pcs

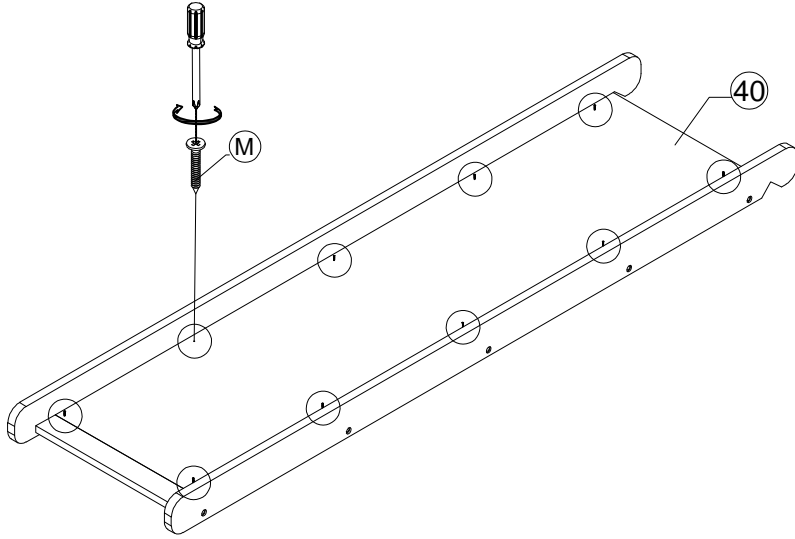


STEP 23

M



M3 * 12 - 10pcs



STEP 24

M

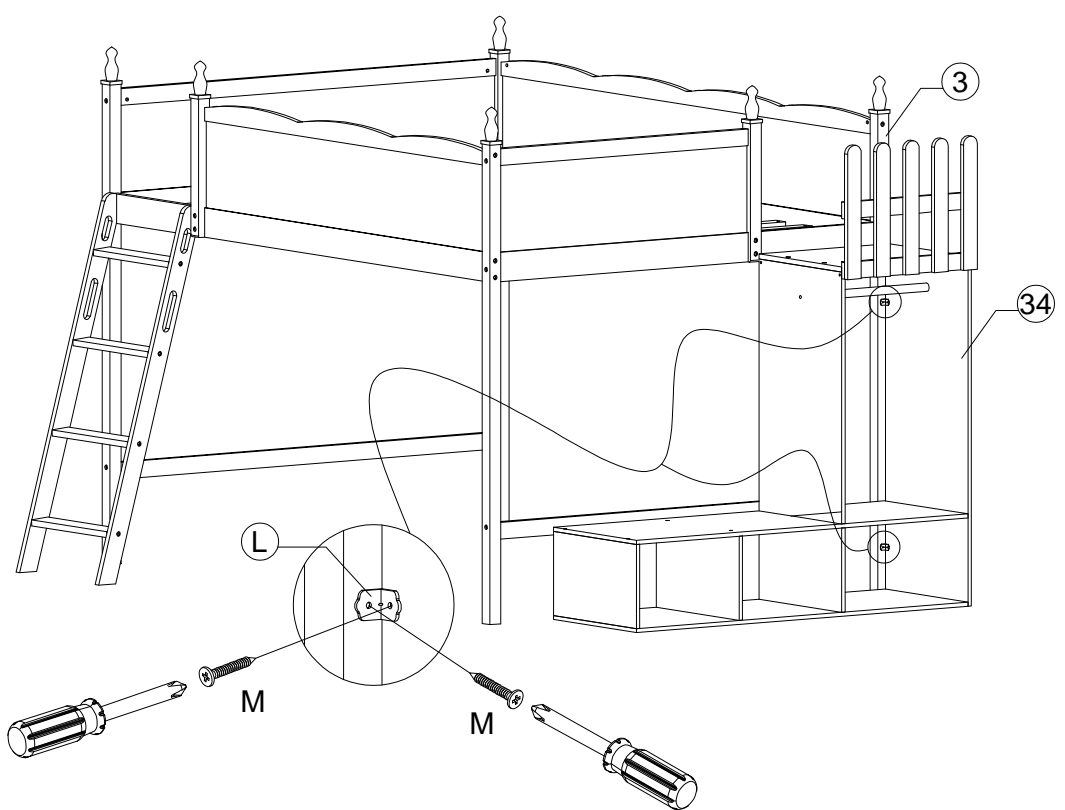


M3 * 12 - 4pcs

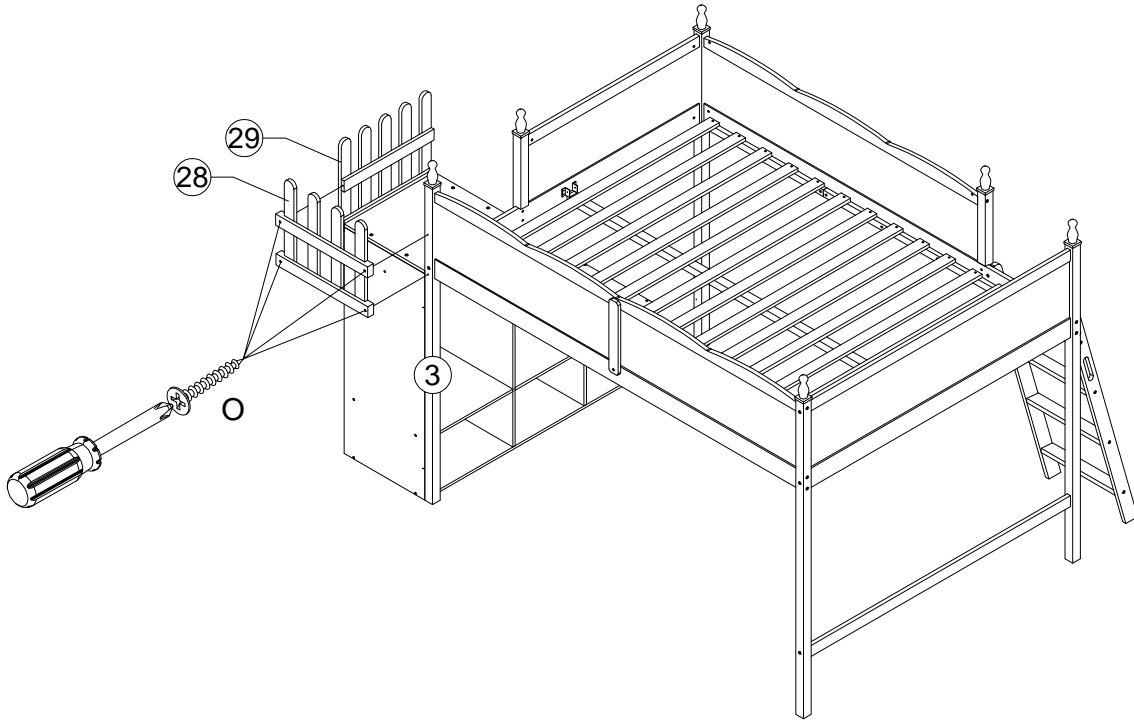
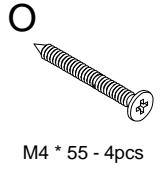
L



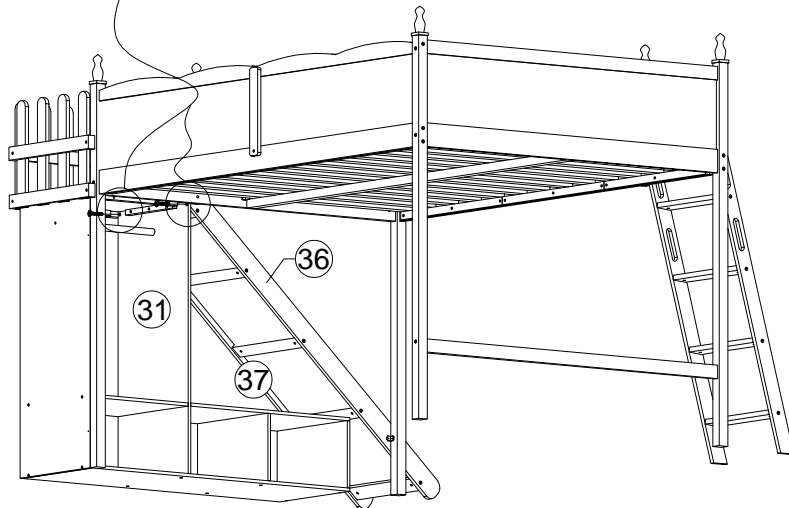
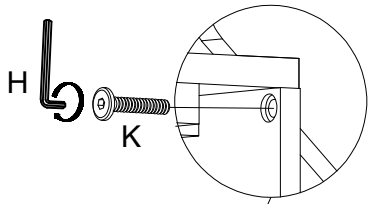
L16 * 16 - 2pcs



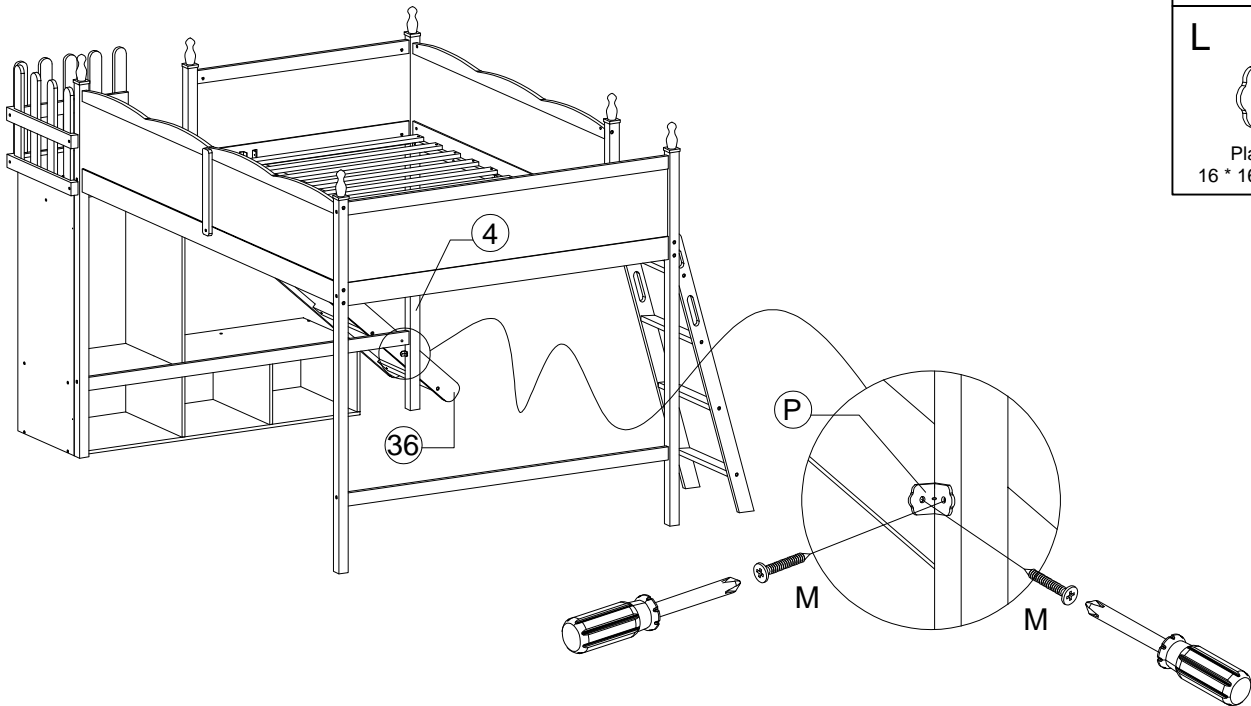
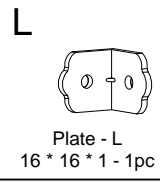
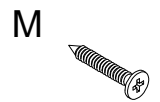
STEP 25



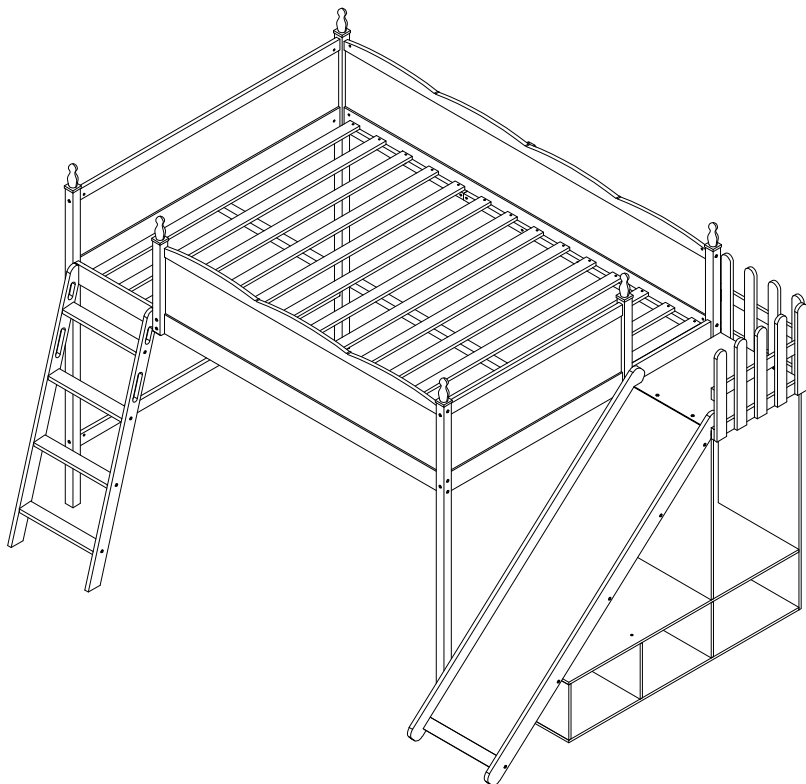
STEP 26



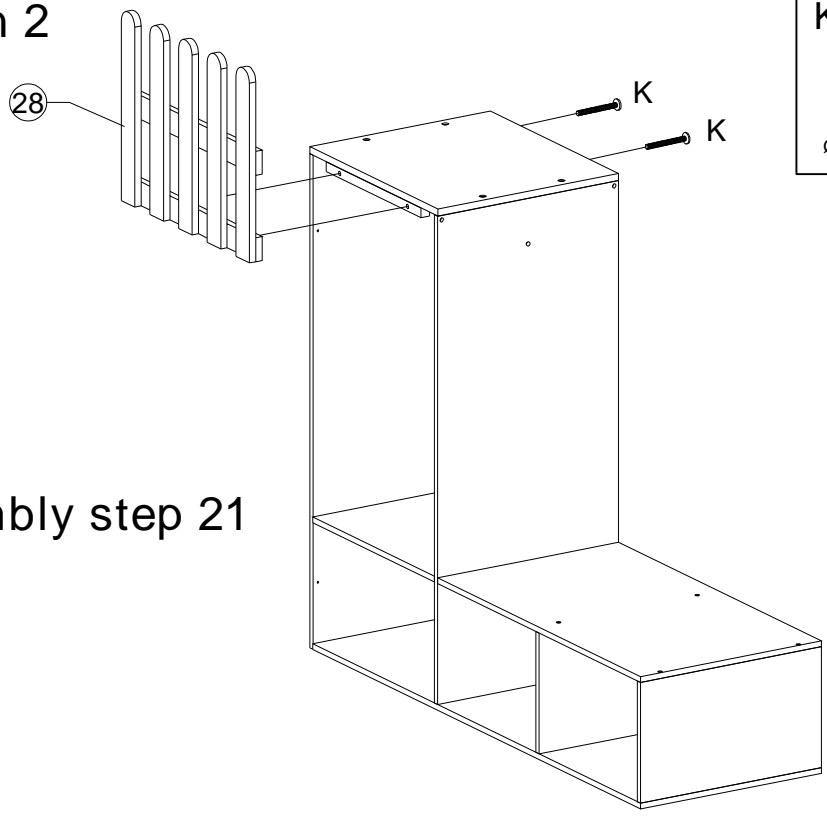
STEP 27




COMPLETED OPTION 1



STEP 28 - option 2



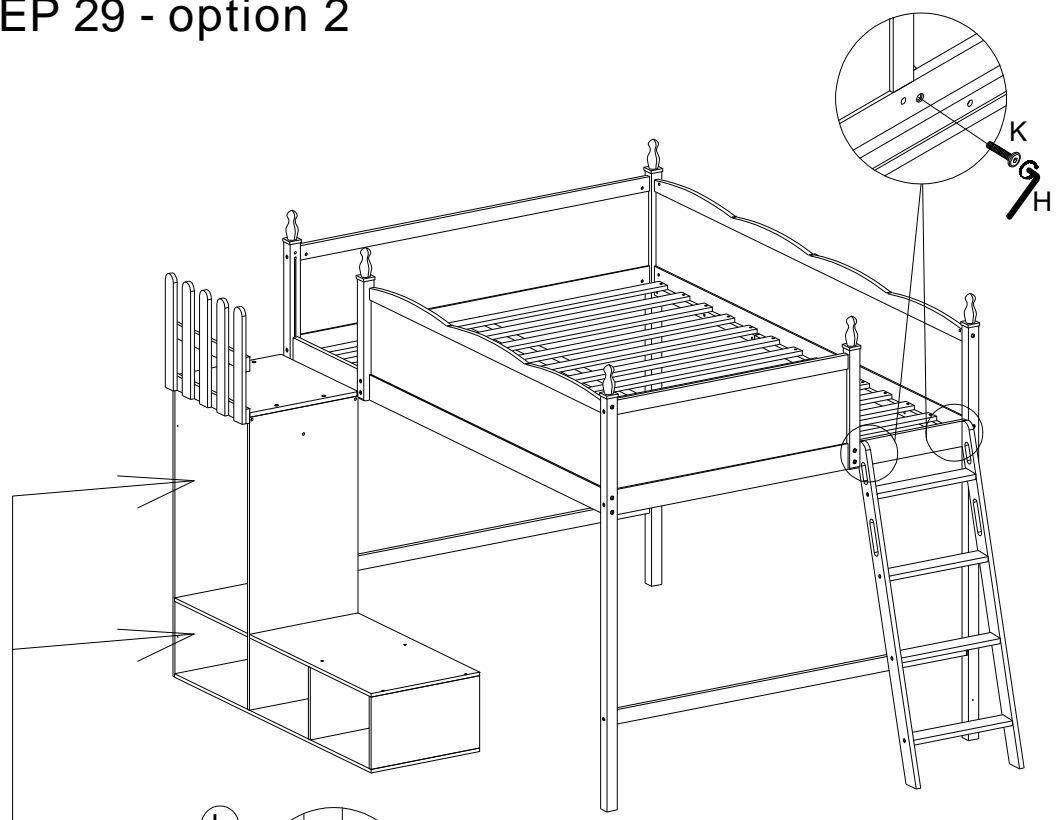
K



Ø1/4" * 30 - 2pcs

Repeat the assembly step 21

STEP 29 - option 2

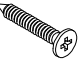


K



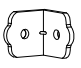
Ø1/4" * 30 - 2pcs

M



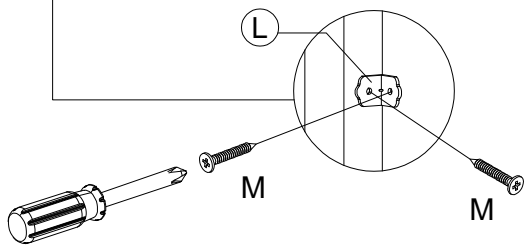
M3 * 12 - 4pcs

L



L16 * 16 - 2pcs

Repeat the assembly step 14 and step 24



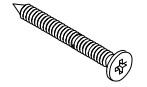
STEP 30 - option 2

K

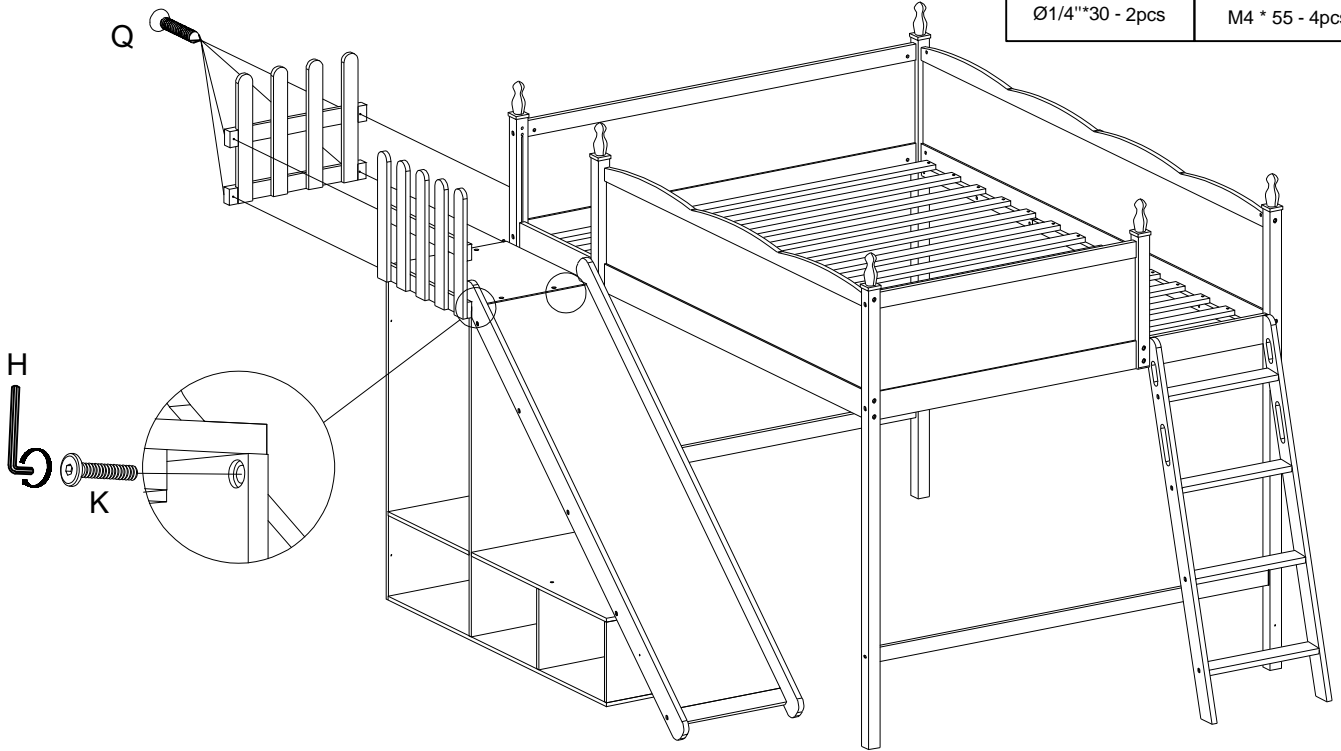


Ø1/4"*30 - 2pcs

Q



M4 * 55 - 4pcs



Repeat the assembly step 25 and step 26

COMPLETED OPTION 2

