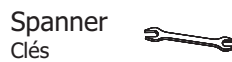


**\*It is highly recommended to install two-person countertops\***  
**\*Est fortement recommandé d'installer un comptoir pour deux personnes\***

- Please check your product packaging to make sure the included accessories etc.  
Veuillez vérifier l'emballage de votre produit pour vous assurer que les accessoires inclus

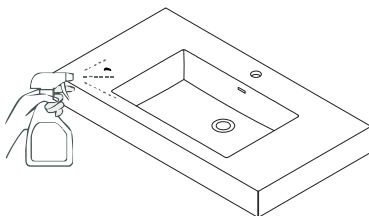
## Recommended Tools/Outils recommandés



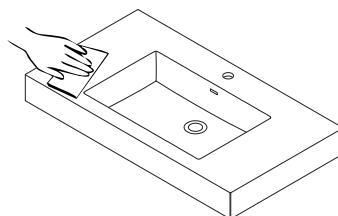
## Assembly instructions/Instructions de montage

### STEP #1

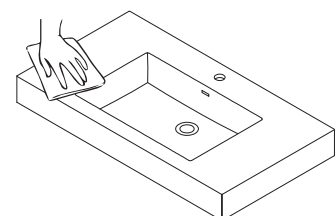
**Clean table surface stains/Nettoyez les taches de comptoir**



- 1. Spray the stain on the surface with clean water**  
1. Eau claire pour pulvériser la position des taches de table



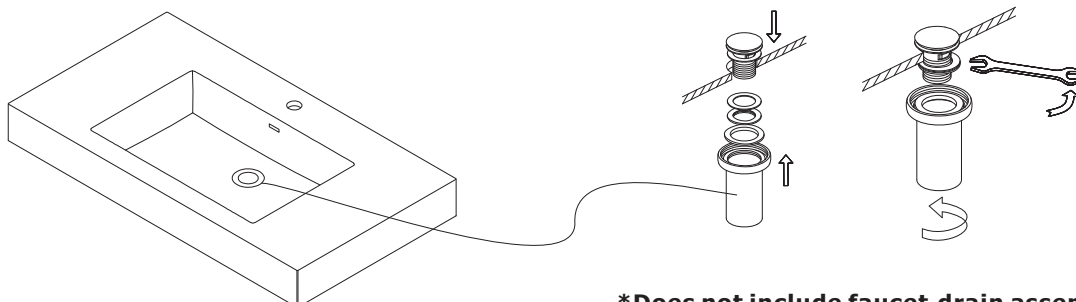
- 2. Lightly sand with the provided sandpaper**  
2. Légèrement poncé avec le papier abrasif fourni



- 3. Clean the sanded area with a clean rag**  
3. Utilisez un chiffon propre pour nettoyer la position polie

### STEP #2

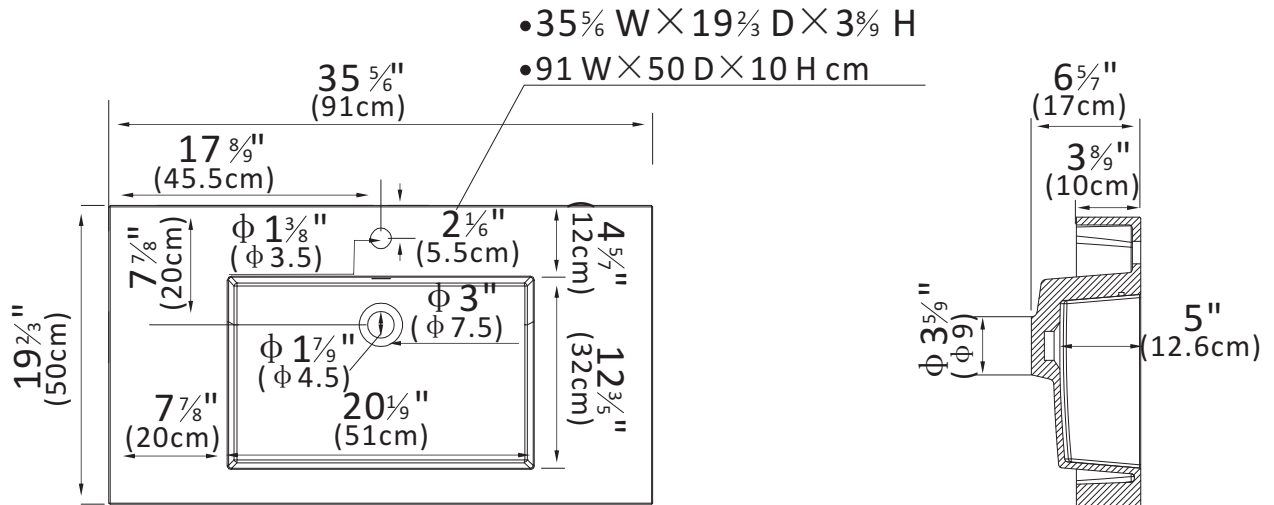
**Launching installation/Installation des lanceurs**



**\*Does not include faucet, drain assembly, or P-trap**

Les robinets, les ensembles de drains ou les pièges à eau de Le P - trap sont pas inclus.

## Diagram Specifications



## Vanity Care Guide

### Vanity Care

- Avoid direct contact of sharp objects as they can cause exterior damage.
- Do not expose directly to the sun as it can cause aging and cosmetic damage.
- Avoid placing hot objects onto the vanity surface.

### Countertop Care

- Kindly note that all our tops are sealed before shipping but may stain, scratch, or chip because they are porous by nature.
- Do not place hot items directly on the countertop as it can damage it.
- To prevent ring marks or staining, dry immediately.
- Place table mats beneath objects that can potentially scratch the surface.
- Use a clean, soft fabric to dust the vanity.

### Cleaning and maintenance

- Normal stains: Wiping with a damp cloth or cloth soaked in kitchen cleaner is enough to clean daily stains, limescale, etc.
- Maintenance advice: If you are worried about the grease on your hands staining the surface, you can clean it with a kitchen cleaning cloth. Take care of visible stains and scratches by rubbing with a lotion cleaner or scrubbing sponge (containing abrasive particles) Wipe and polish the surface. For the pure color series, rinse the sponge (containing abrasive particles) after the above steps, and then Gently wipe and polish the surface.

#### **WARNING**

This product can expose you to chemicals including Nickel compounds, which is known to the State of California to cause cancer. For more information visit [www. P65Warning. ca. gov](http://www.P65Warning.ca.gov)

#### **WARNING**

This product can expose you to Glass wool fibers (inhalable and biopersistent), which is known to the State Of California to cause cancer. For more information, go to [www. P65Warnings. ca. gov](http://www.P65Warnings.ca.gov)

#### **WARNING**

Serious or fatal crushing can occur from furniture tip over . To prevent tip over this furniture must be used with the wall attachment device(s) provided. Screw(s) and plug(s) for the wall are not included. Use screw(s) and plug(s) suitable for your walls. If you are uncertain, seek professional Advice. Read and follow each step of the instruction carefully.