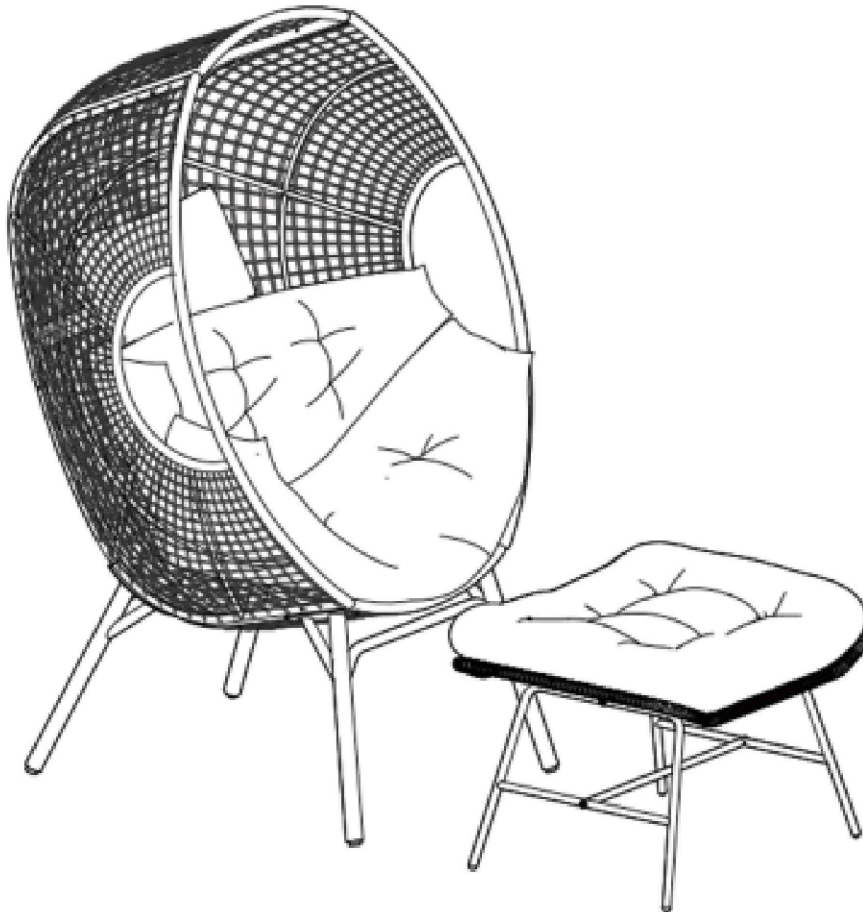


# SINGLE EGG CHAIR




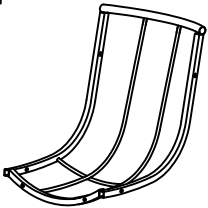
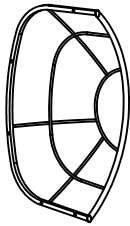
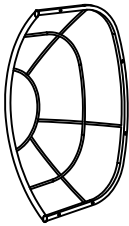
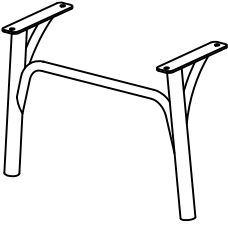
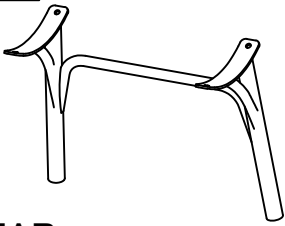
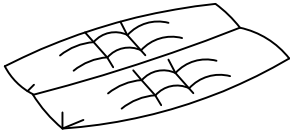

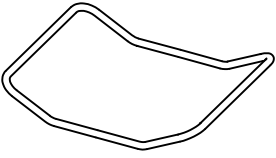
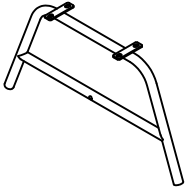
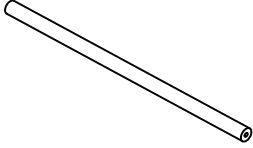
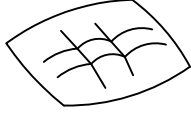
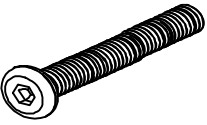
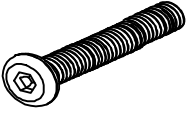
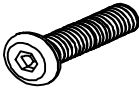
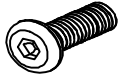




## ATTENTION Section:

1. If you encounter any issues, such as missing accessories or damaged parts, please contact us immediately and include pictures (email:[jm@nicesoulfurniture.com](mailto:jm@nicesoulfurniture.com))

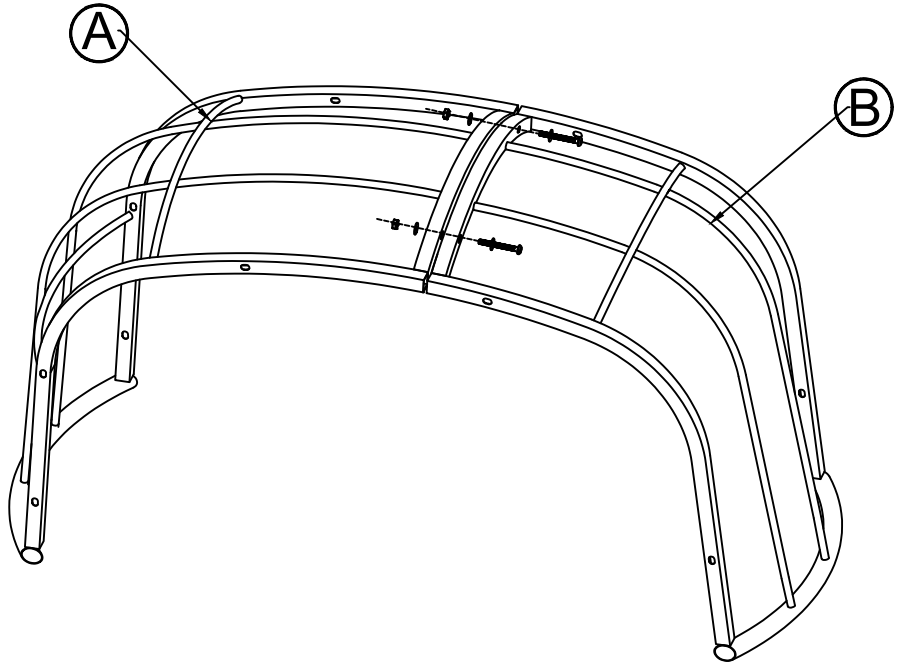
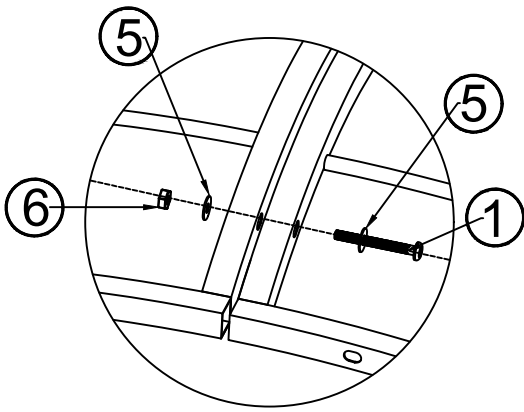
## Assembly Instructions:

1. Assembly requires two people to complete.
2. For optimal assembly, we highly recommend using the provided Allen key.  
If using a power tool, please set it to a low speed to prevent any damage
3. Do not fully tighten the screws until all screws are properly aligned with their holes.

# PARTS LIST OF BOX A

<p><b>A</b></p>  <p>SEAT PLATE 1pc</p>	<p><b>B</b></p>  <p>TOP PLATE 1pc</p>	<p><b>C</b></p>  <p>LEFT PLATE 1pc</p>	<p><b>D</b></p>  <p>RIGHT PLATE 1pc</p>
<p><b>E</b></p>  <p>FRONT CHAIR LEGS 1pc</p>	<p><b>F</b></p>  <p>REAR CHAIR LEGS 1pc</p>	<p><b>G</b></p>  <p>SEAT CUSHION 1pc</p>	<p><b>H</b></p>  <p>NECK PILLOW 1pc</p>
<p><b>I</b></p>  <p>PANEL OF FOOTSTOOL 1pc</p>	<p><b>J</b></p>  <p>LEGS OF FOOTSTOOL 2pcs</p>	<p><b>K</b></p>  <p>CROSSBAR 1pc</p>	<p><b>L</b></p>  <p>CUSHION OF FOOTSTOOL 1pc</p>
<p><b>1</b></p>  <p>M6*55 2pcs</p>	<p><b>2</b></p>  <p>M6*50 10pcs</p>	<p><b>3</b></p>  <p>M6*30 2pcs</p>	<p><b>4</b></p>  <p>M6*18 16pcs</p>
<p><b>5</b></p>  <p>M6 42pcs</p>	<p><b>6</b></p>  <p>M6 12pcs</p>	<p><b>7</b></p>  <p>M6 1pc</p>	<p><b>8</b></p>  <p>M6 1pc</p>

STEP 1



A\*1pc

B\*1pc

1\*2pcs

5\*4pcs

6\*2pcs

7\*1pc

8\*1pc



M6\*55



M6\*16



M6

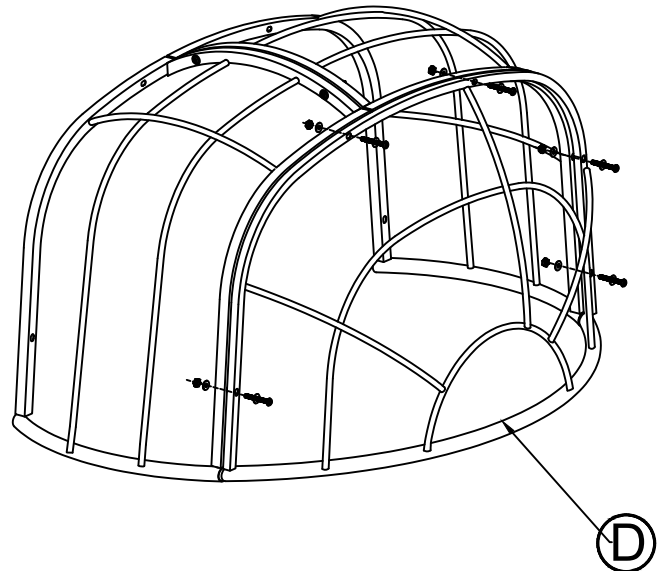
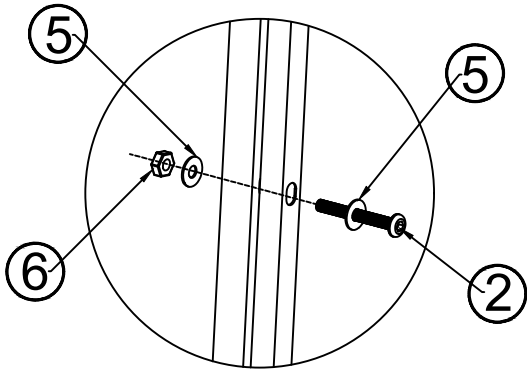


ALLEN KEY M6



M6

STEP 2



D\*1pc

2\*5pcs

5\*10pcs

6\*5pcs

7\*1pc

8\*1pc



M6\*50



M6\*16



M6



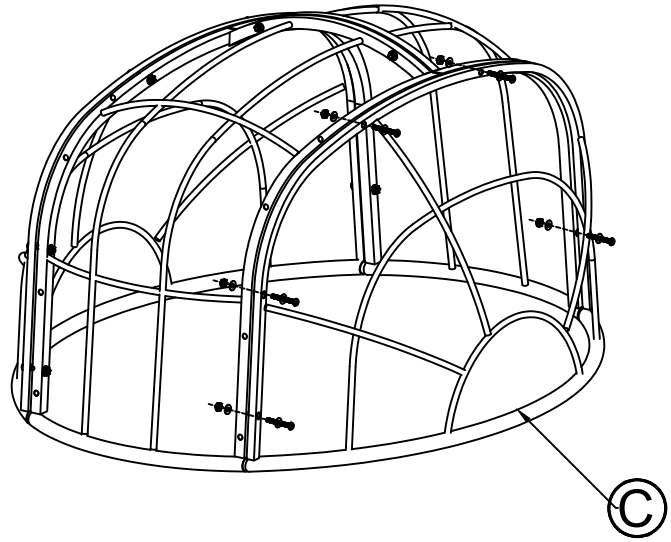
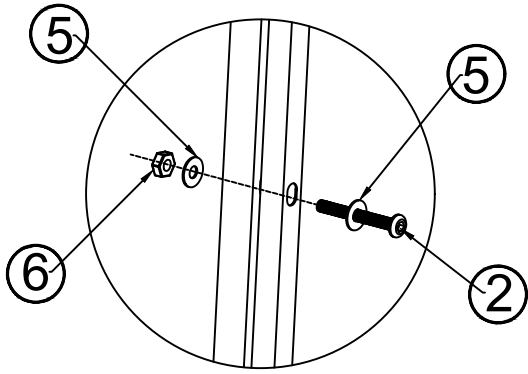
ALLEN KEY M6



M6

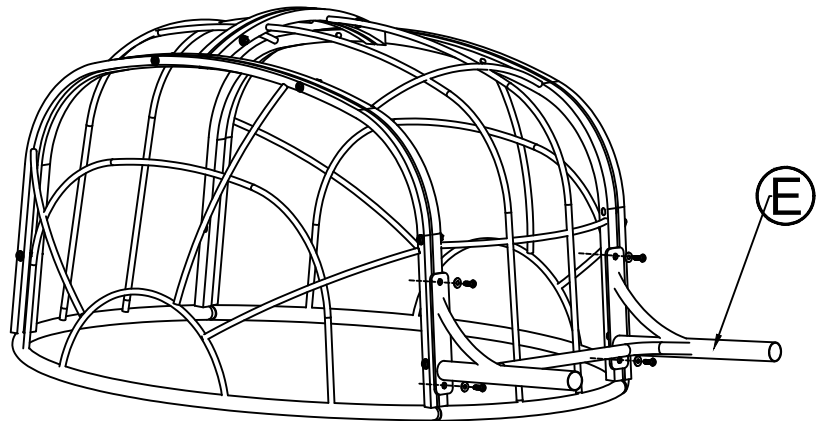
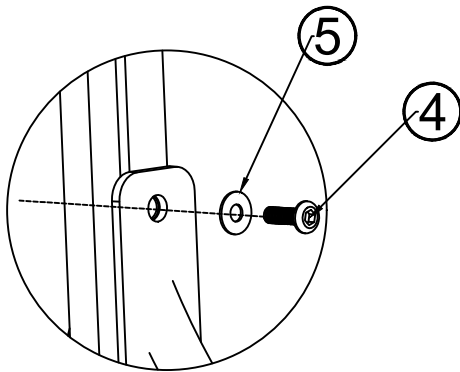
Do not fully tighten all screws until assembly is completed.

STEP 3



C*1pc	2*5pcs	5*10pcs	6*5pcs	7*1pc	8*1pc
	M6*50	M6	M6	ALLEN KEY M6	M6

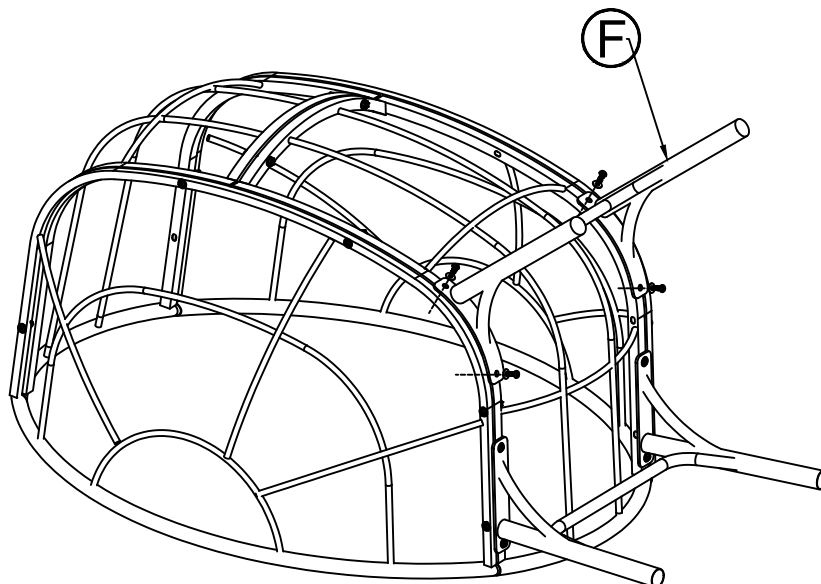
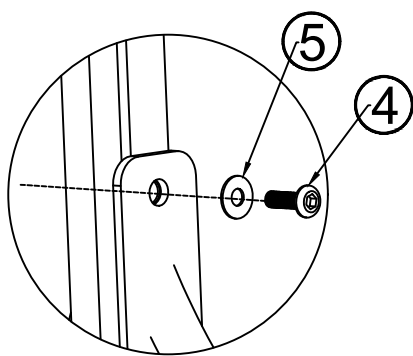
STEP 4



E*1pc	4*4pcs	5*4pcs	7*1pc
	M6*18	M6	ALLEN KEY M6

Do not fully tighten all screws until assembly is completed.

## STEP 5

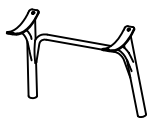


F\*1pc

4\*4pcs

5\*4pcs

7\*1pc



M6\*18

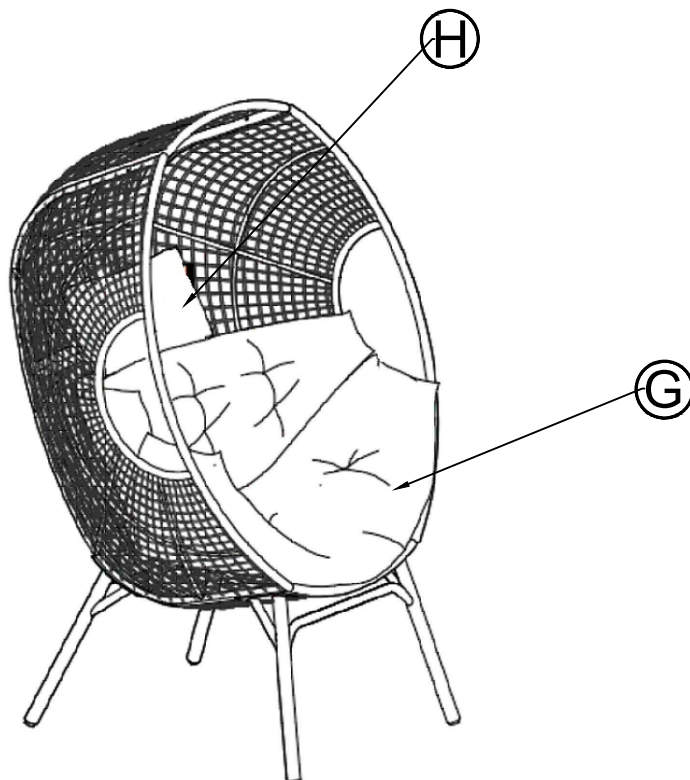


M6



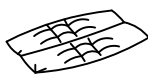
ALLEN KEY M6

## STEP 6



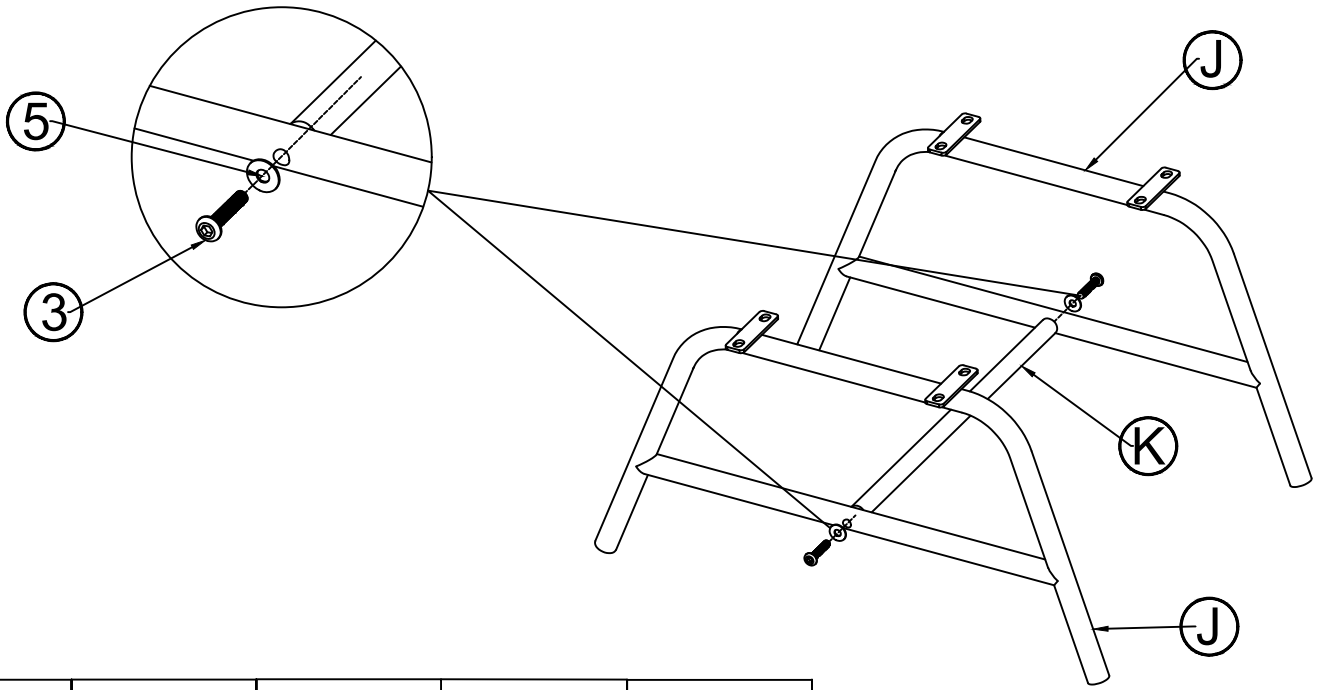
G\*1pc


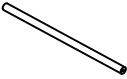



H\*1pc



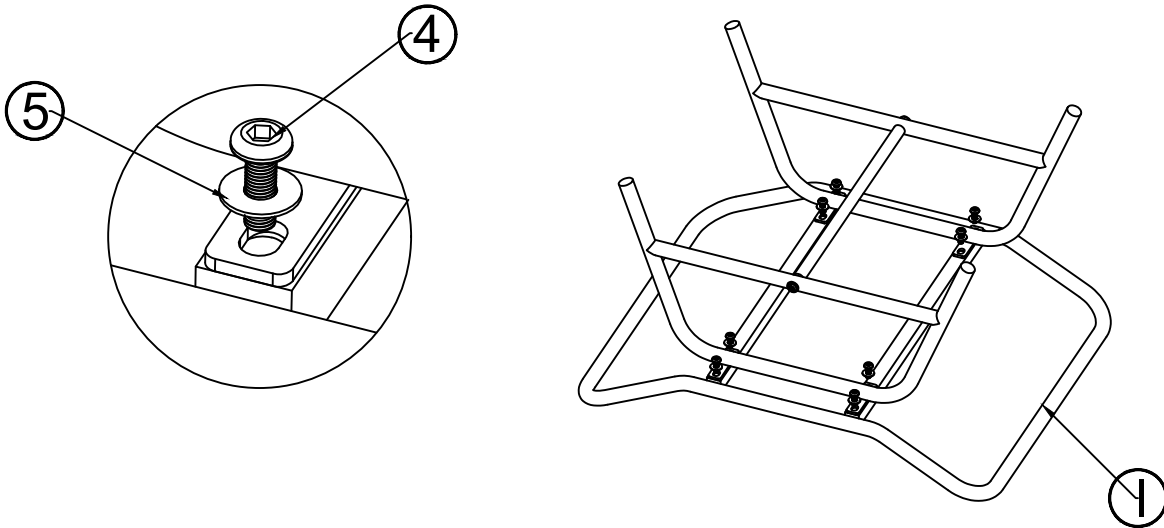
Do not fully tighten all screws until assembly is completed.





STEP 7



J*2pcs	K*1pc	3*2pcs	5*2pcs	7*1pc
				
		M6*30	M6	ALLEN KEY M6

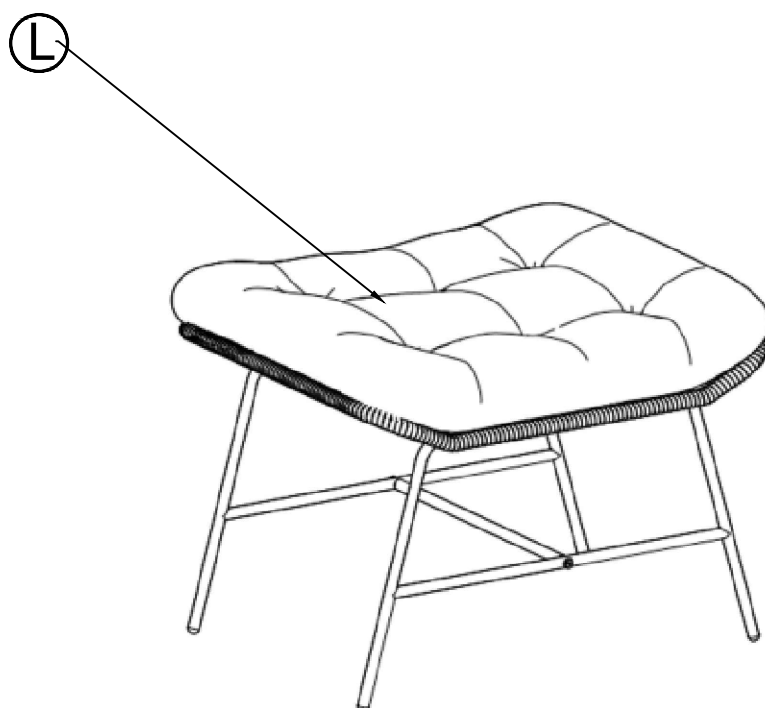
STEP 8



I*1pc	4*8pcs	5*8pcs	7*1pc
			
	M6*18	M6	ALLEN KEY M6

Do not fully tighten all screws until assembly is completed.

STEP 9



L\*1pc



Do not fully tighten all screws until assembly is completed.