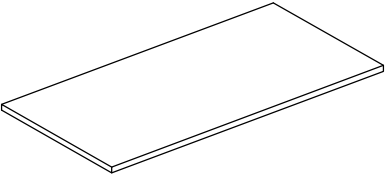
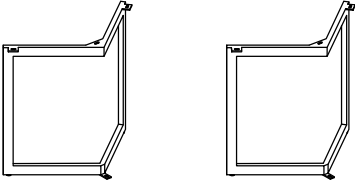
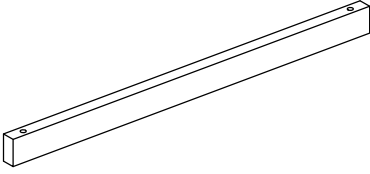
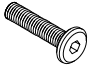



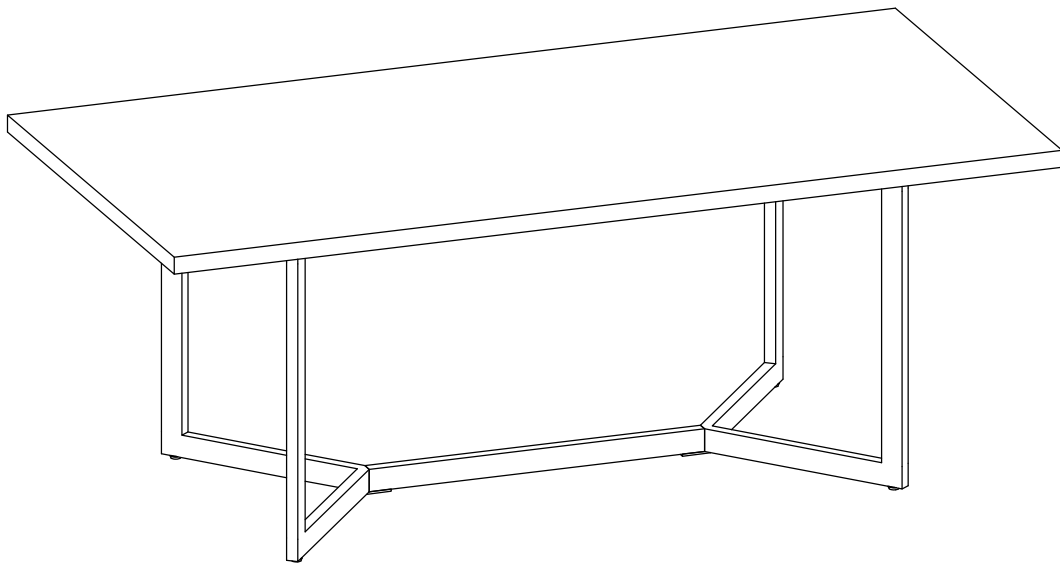


ASSEMBLY INSTRUCTIONS

PARTS LIST

A	TOP X1					<p>Before Beginning</p> <ol style="list-style-type: none"> 1 - Carefully unpack and position the item on a clean, non-marring surface to assemble. 2 - Read this Assembly Instructions from beginning to end before starting to assemble. 3 - Take an inventory of the required parts to ensure all are available. 4 - To prevent accidental choking hazards, keep all packing materials away from small children. 5 - Only tighten hardware until ALL hardware are fully engaged on their locations. Overtighten bolts will damage the bolt threads. 6 - Use only factory provided hardware to assemble. Unapproved hardware can damage product or jeopardize the structural integrity of the product. 7 - The use of power tool to assemble is not recommended due to high risk of over-torque, which can damage the product. 											
B	LEG X2																
C	STRETCHER X1																
Z	HARDWARE	<p>Z1</p>  <p>8X25MM X8</p>	<p>Z2</p>  <p>8X25MM X8</p>	<p>Z3</p>  <p>9X13MM X8</p>	<p>Z4</p>  <p>6MM X1</p>												



ASSEMBLY REQUIRES
TWO PEOPLE



20-MINUTE
ASSEMBLY TIME

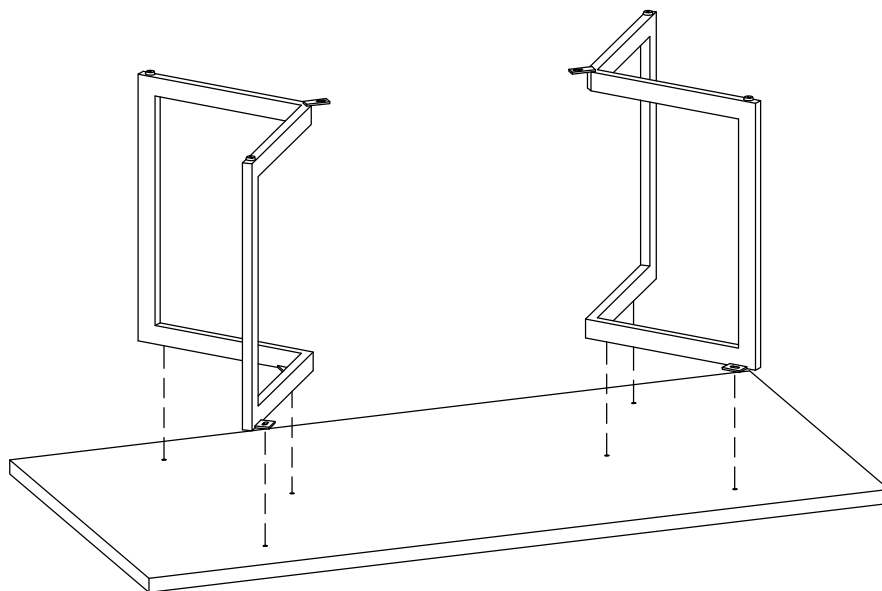


KEEP INSTRUCTIONS
FOR FUTURE USE

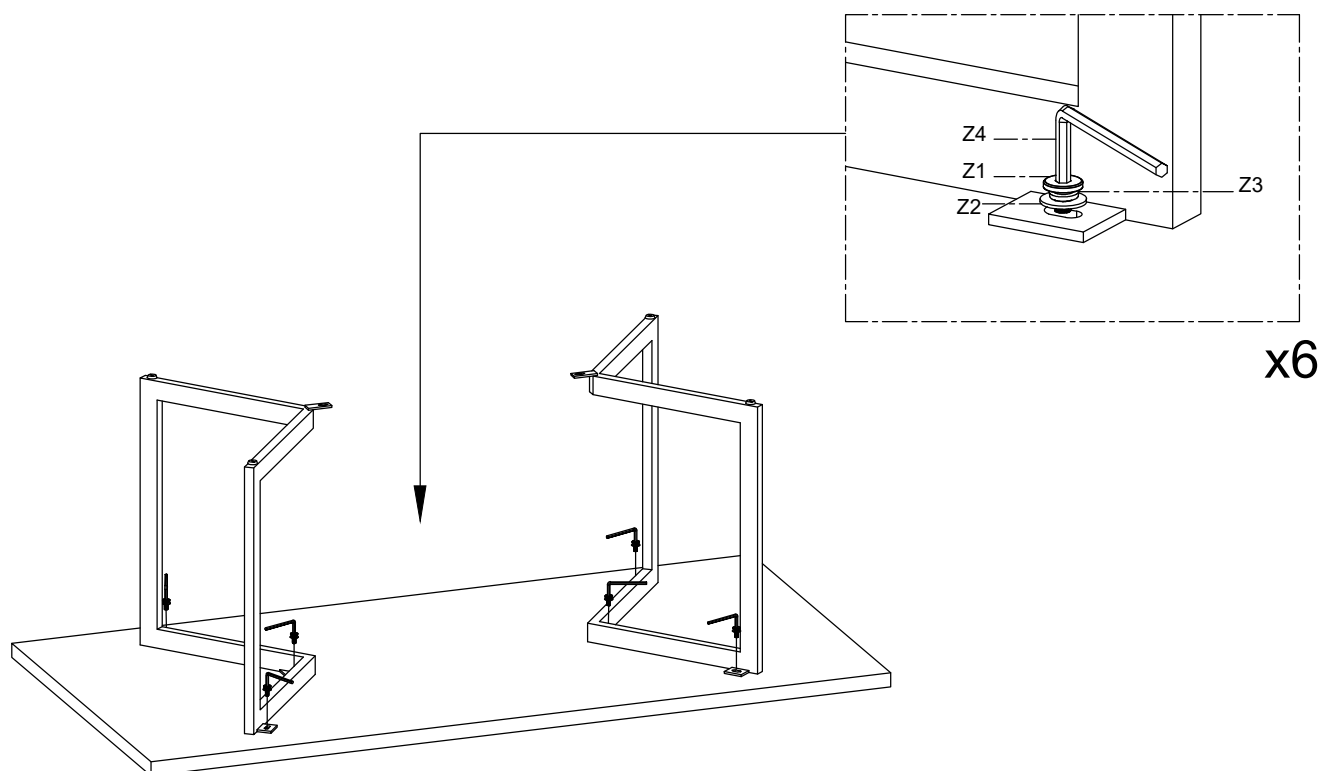


ASSEMBLY INSTRUCTIONS

1

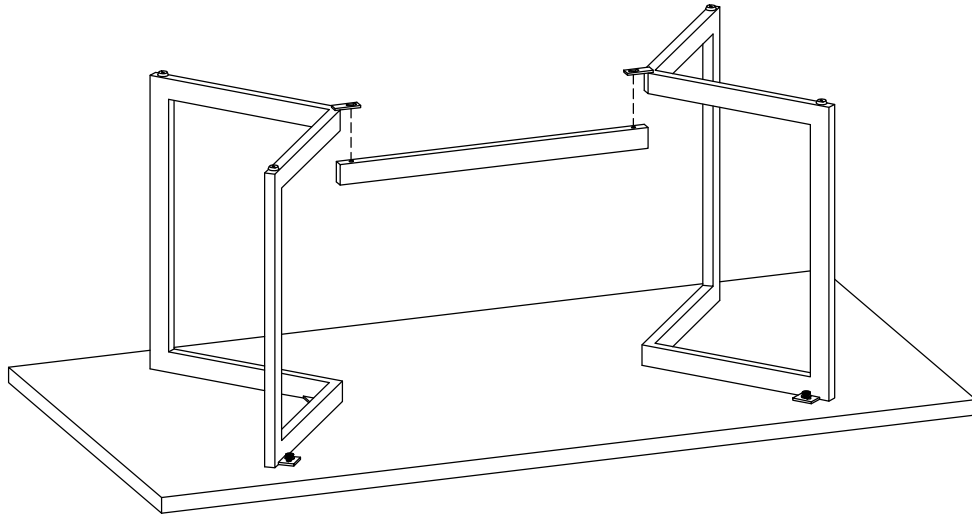


2

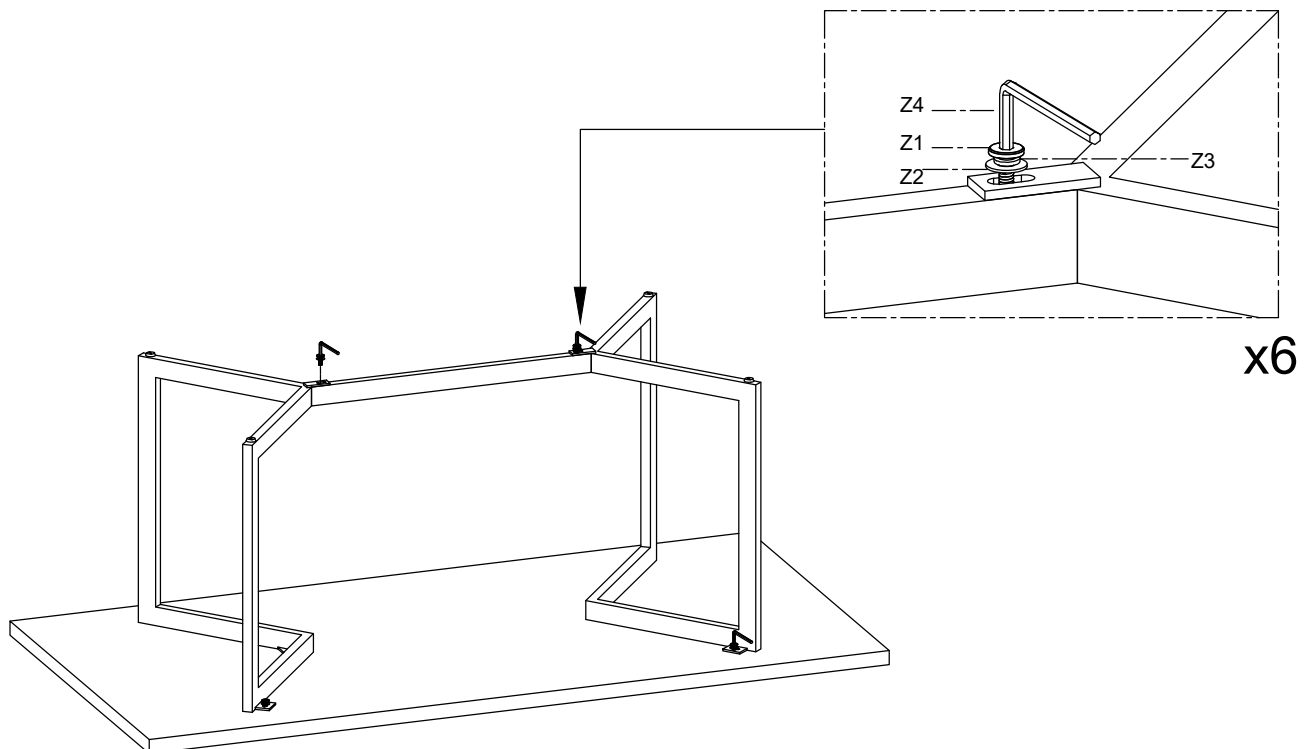


ASSEMBLY INSTRUCTIONS

3



4



ASSEMBLY INSTRUCTIONS

5

