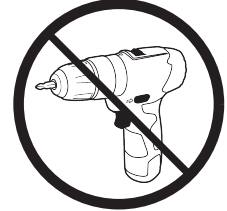
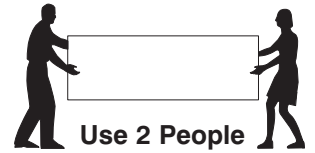
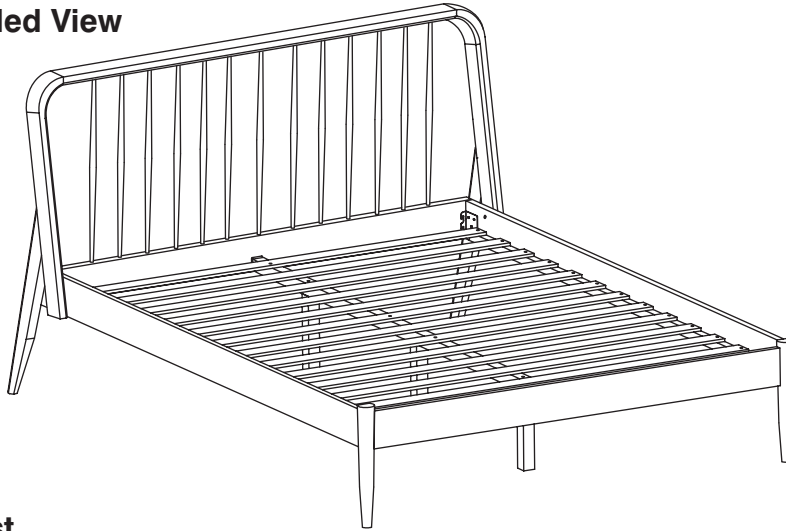


0235-1 Queen Bed

Assembly Instructions

WI-0324

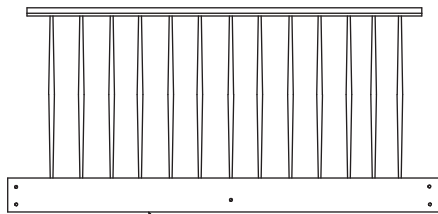
1 Assembled View



Note: Do not assemble using power tools. This can cause the bolts to be overtightened

2 Parts List

Parts in Box A:

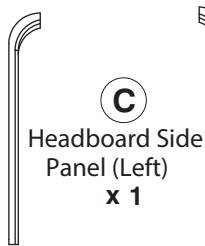


A Headboard Panel x 1

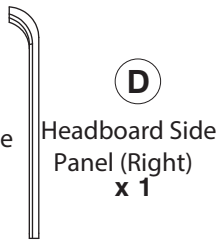


B Footboard Panel x 1

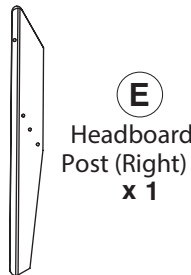
Parts in Box B:



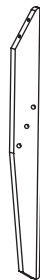
C Headboard Side Panel (Left) x 1



D Headboard Side Panel (Right) x 1



E Headboard Post (Right) x 1



F Headboard Post (Left) x 1



G Footboard Post (Right) x 1



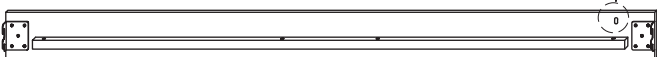
H Footboard Post (Left) x 1

Extra Holes

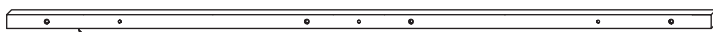


J Side Rail (Right) x 1

Extra Holes



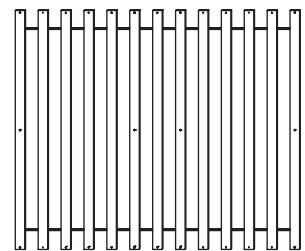
K Side Rail (Left) x 1



L Long Support x 1



M Support Leg x 3



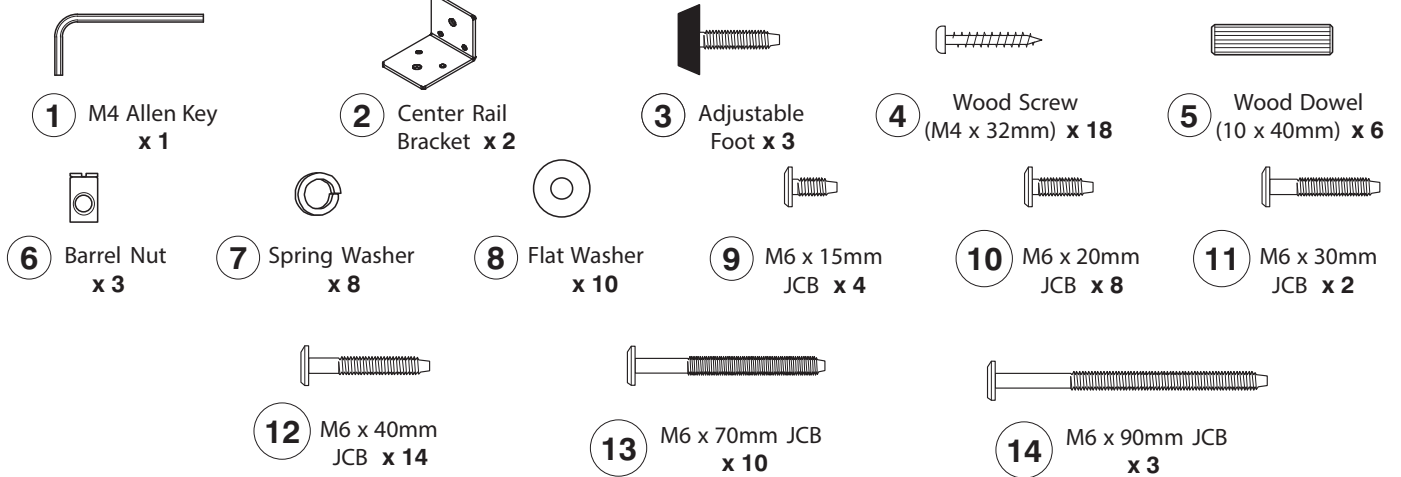
N Set of Bed Slats x 1

0235-1 Queen Bed

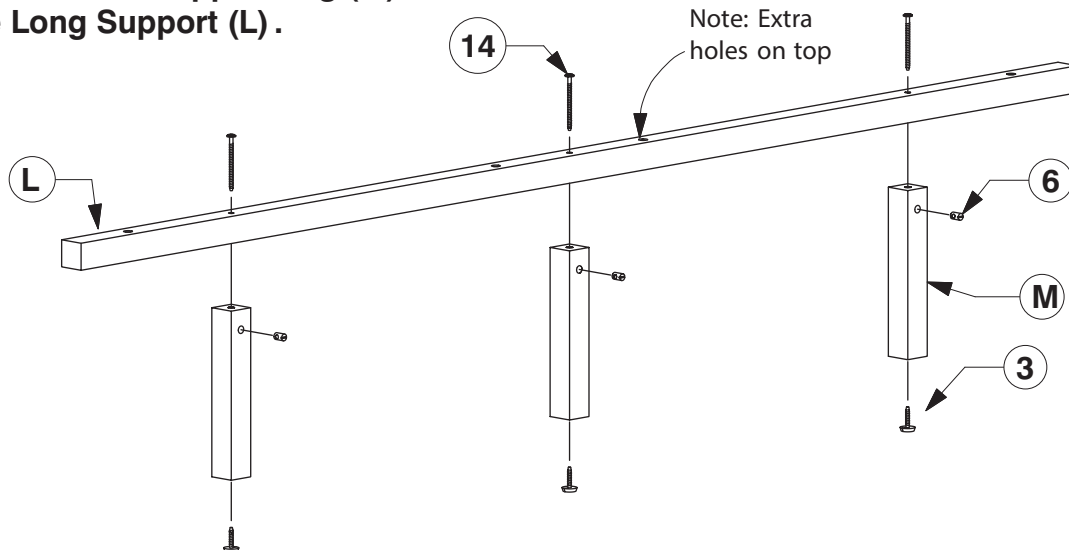
Assembly Instructions

WI-0324

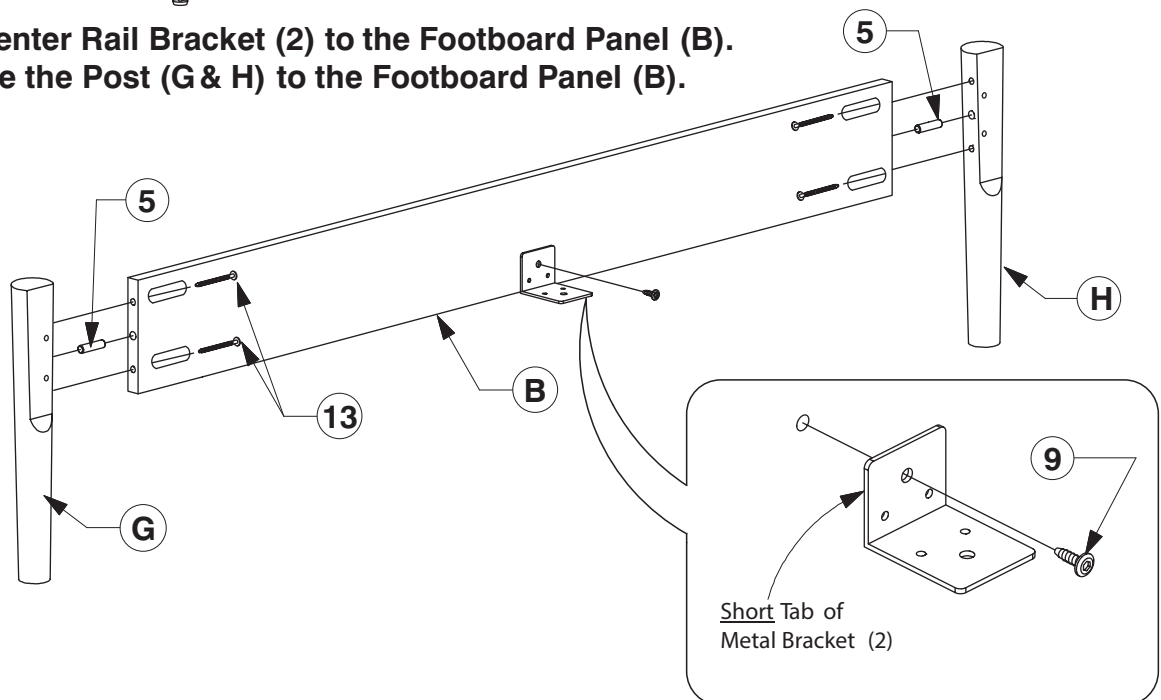
3 Hardware List



4 Assembled the Support Leg (M) to the Long Support (L).



5 Fit the Center Rail Bracket (2) to the Footboard Panel (B). Assemble the Post (G & H) to the Footboard Panel (B).

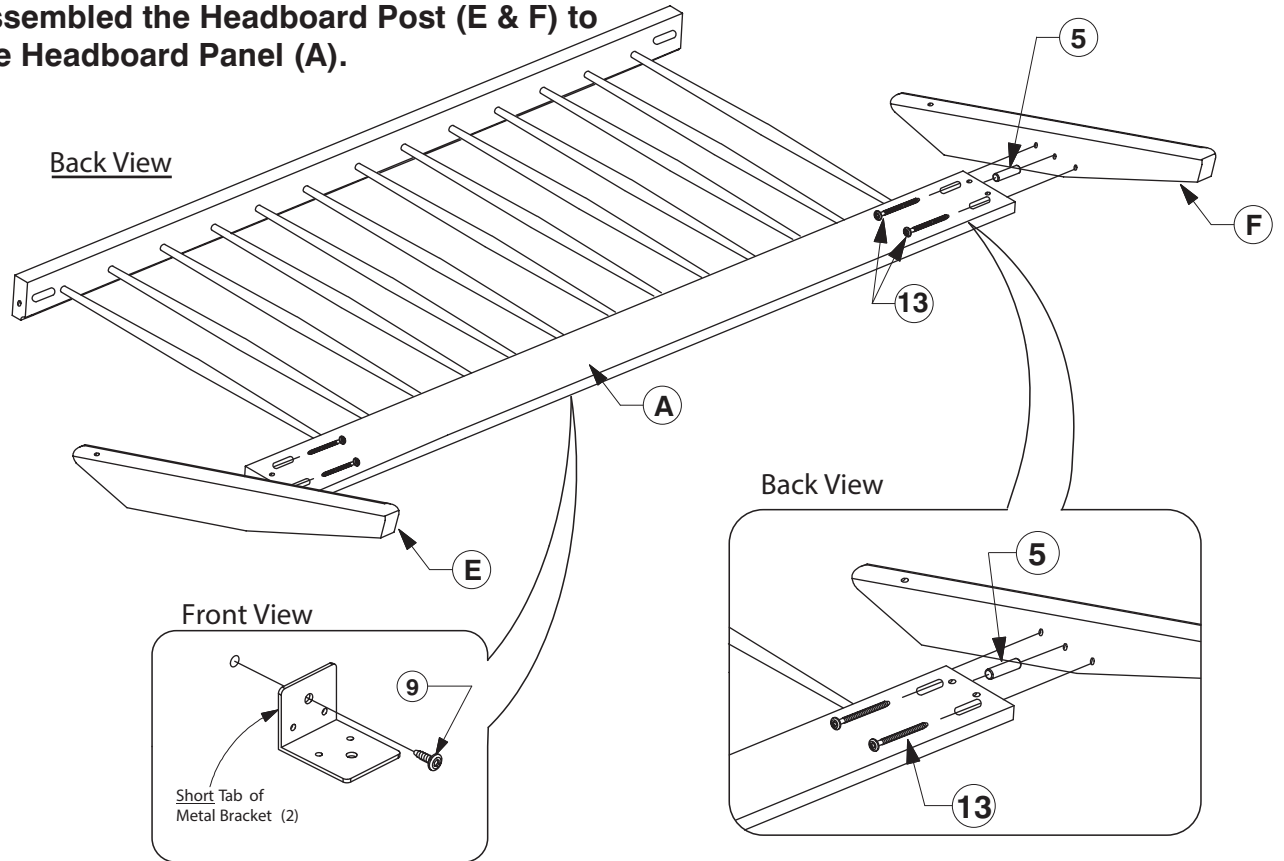


0235-1 Queen Bed

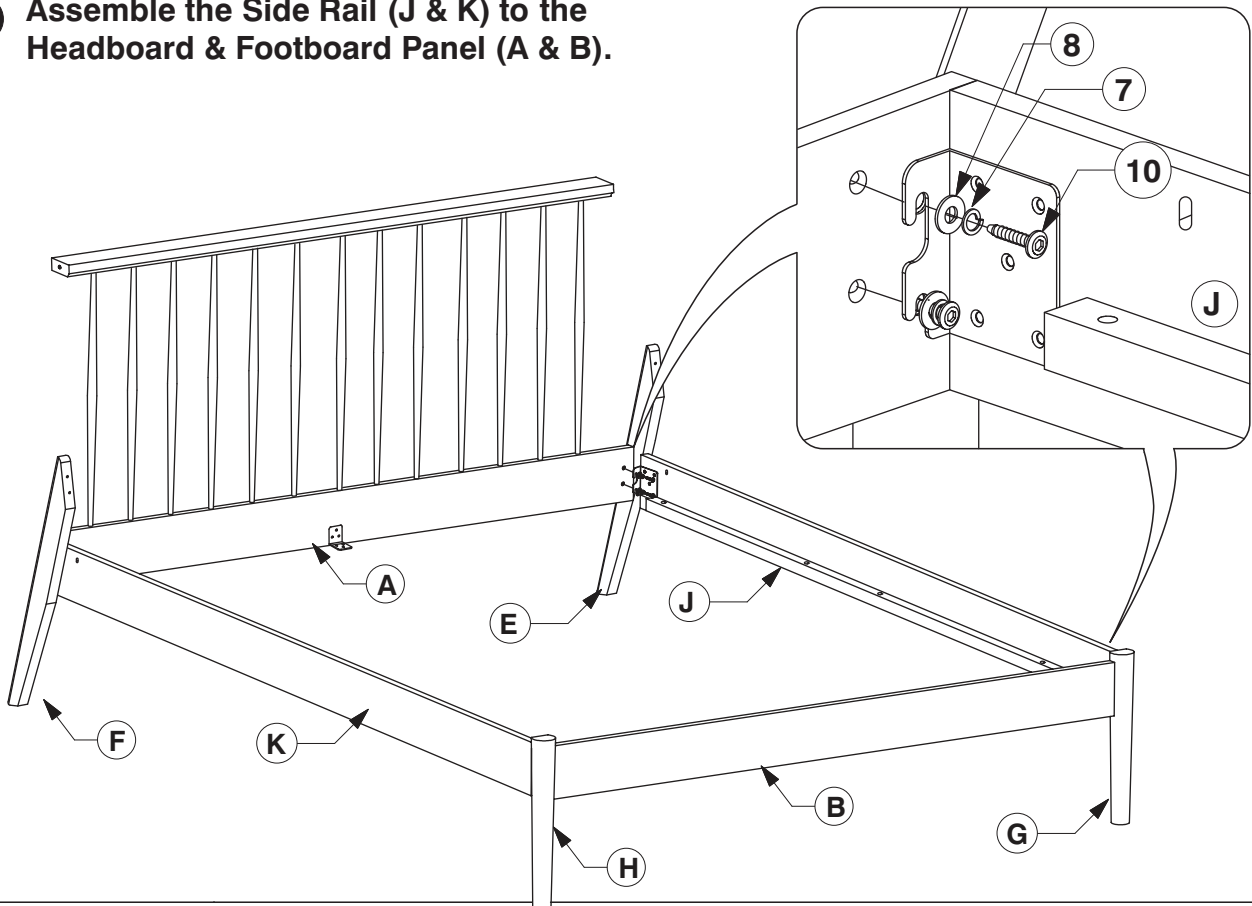
Assembly Instructions

WI-0234

- 6** Fit the Center Bracket (2) to the Headboard Panel (A).
Assembled the Headboard Post (E & F) to the Headboard Panel (A).



- 7** Assemble the Side Rail (J & K) to the Headboard & Footboard Panel (A & B).

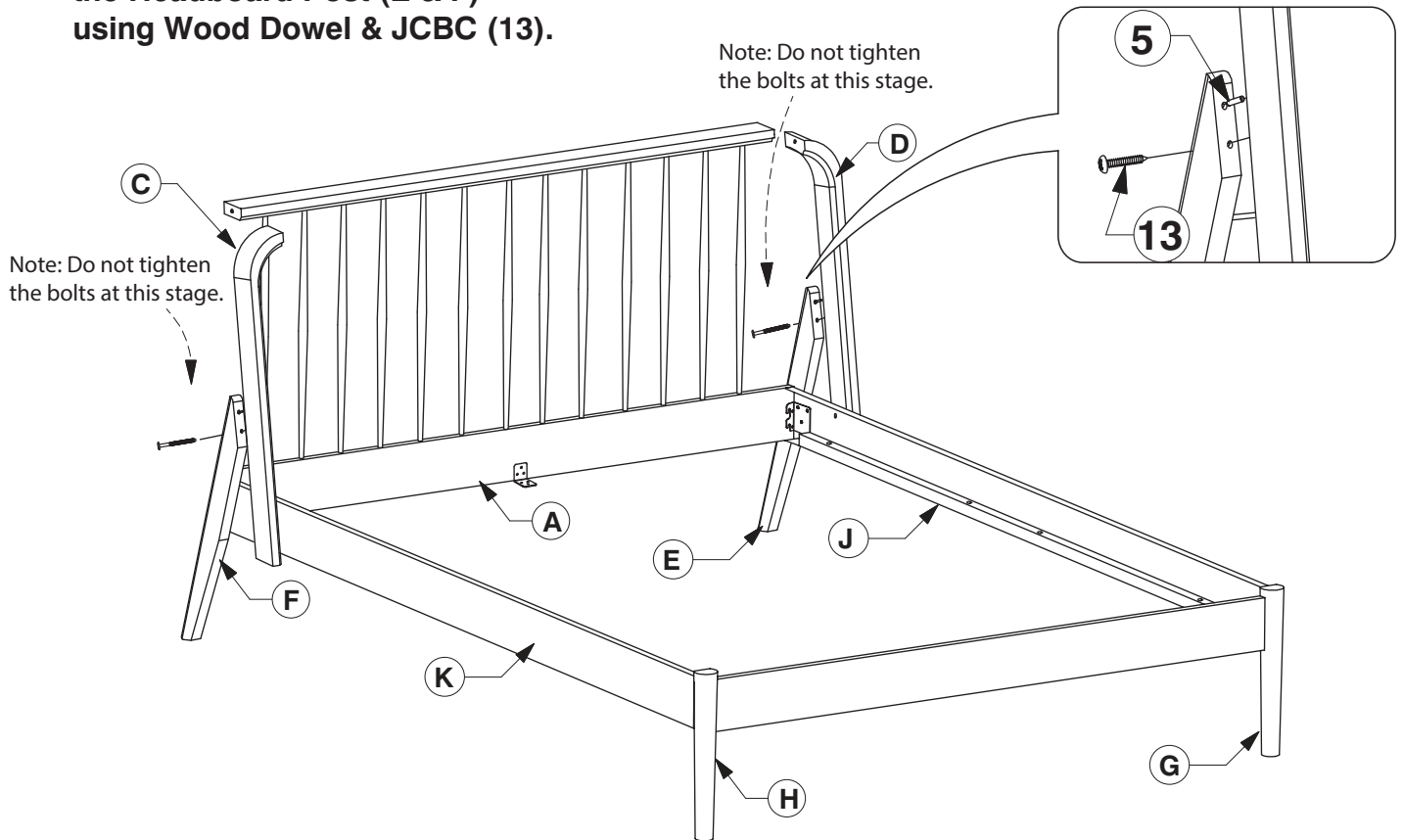


0235-1 Queen Bed

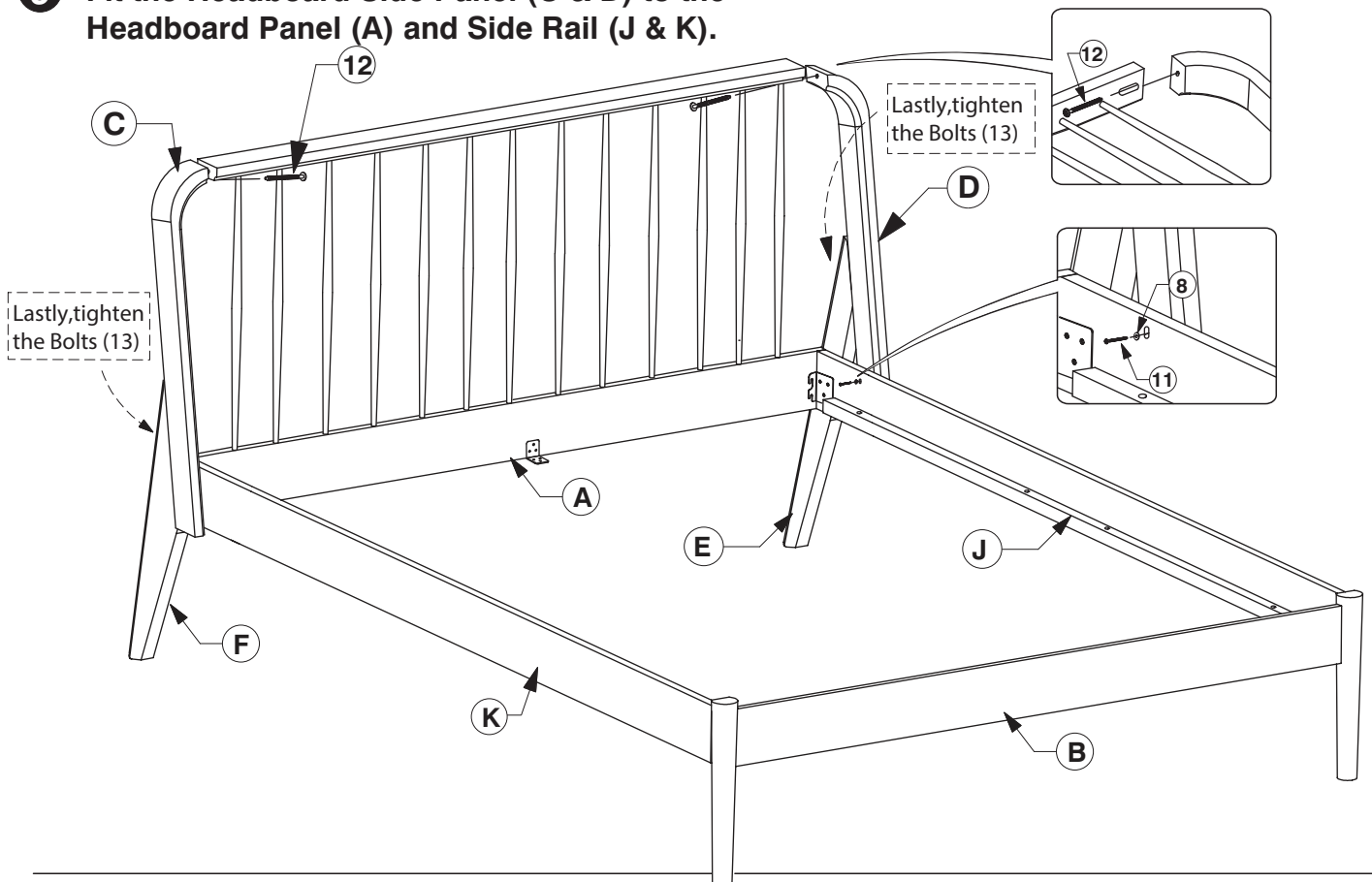
Assembly Instructions

WI-0324

- 8** Fit the Headboard Side Panel (C & D) to the Headboard Post (E & F) using Wood Dowel & JCBC (13).



- 9** Fit the Headboard Side Panel (C & D) to the Headboard Panel (A) and Side Rail (J & K).

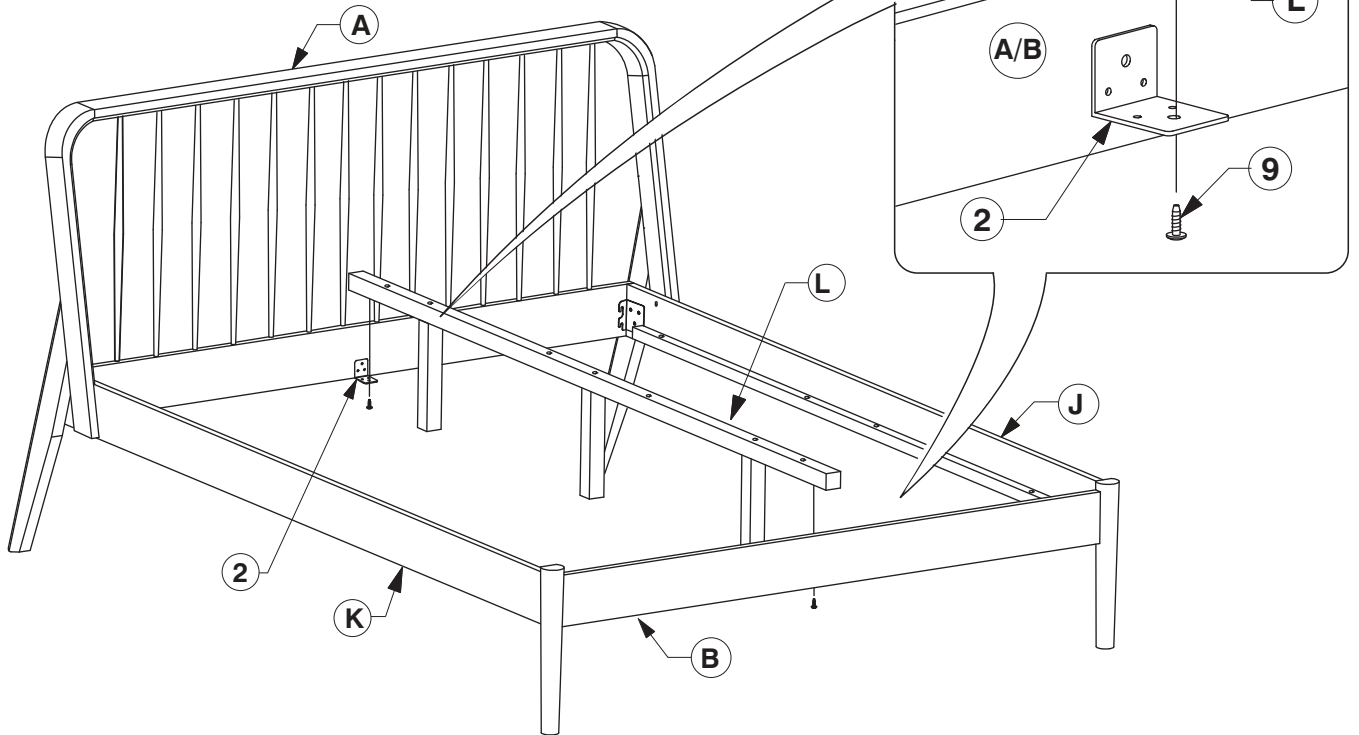


0235-1 Queen Bed

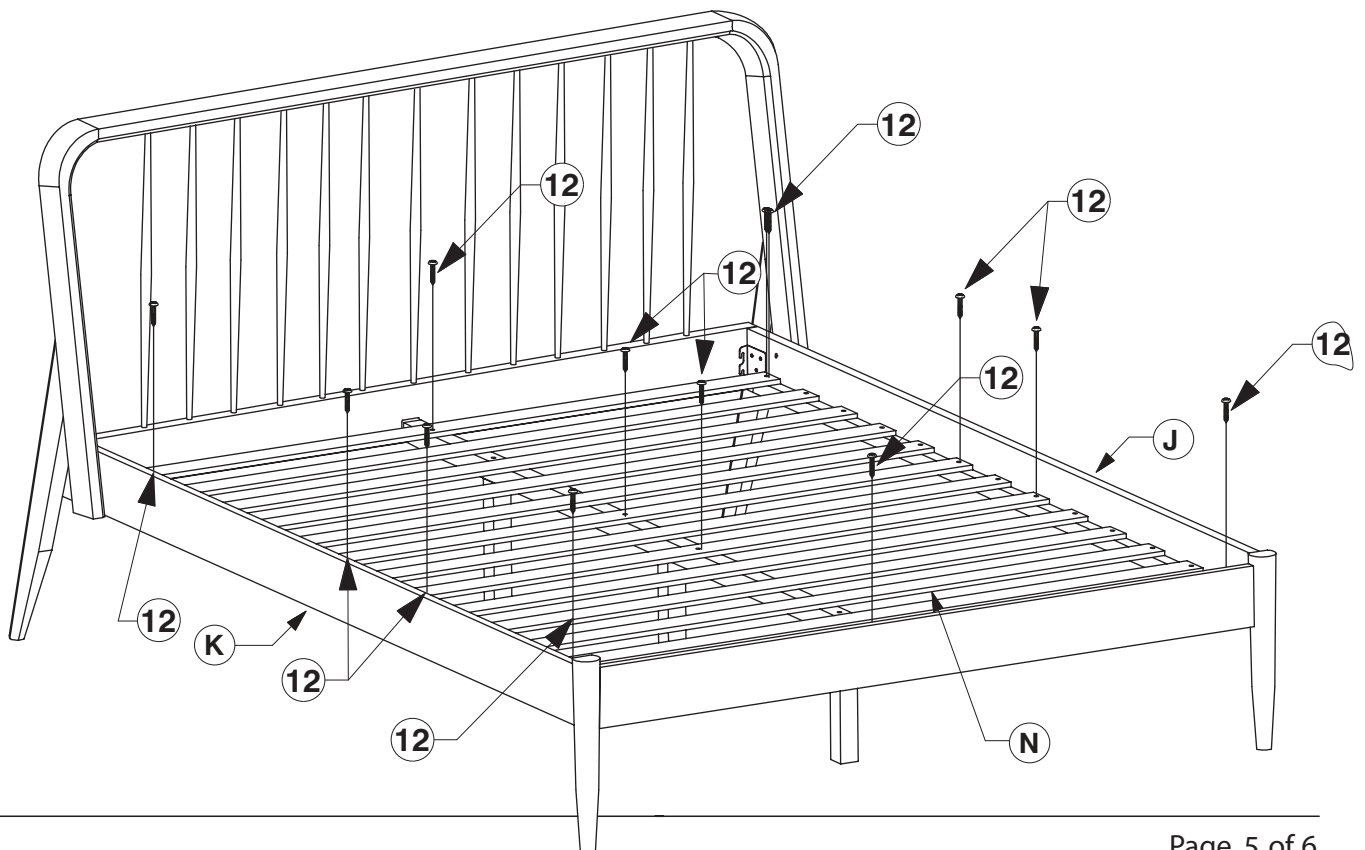
Assembly Instructions

WI-0324

- 10** Bolt the Long Support (L) to the Center Rail Brackets (2) on the Headboard & Footboard Panel (A & B).



- 11** Bolt the Bed Slats (N) to the Side Rail (J & K).



0235-1 Queen Bed

Assembly Instructions

WI-0324

12 Screw the Bed Slats (N) to the Side Rail (J & K).

