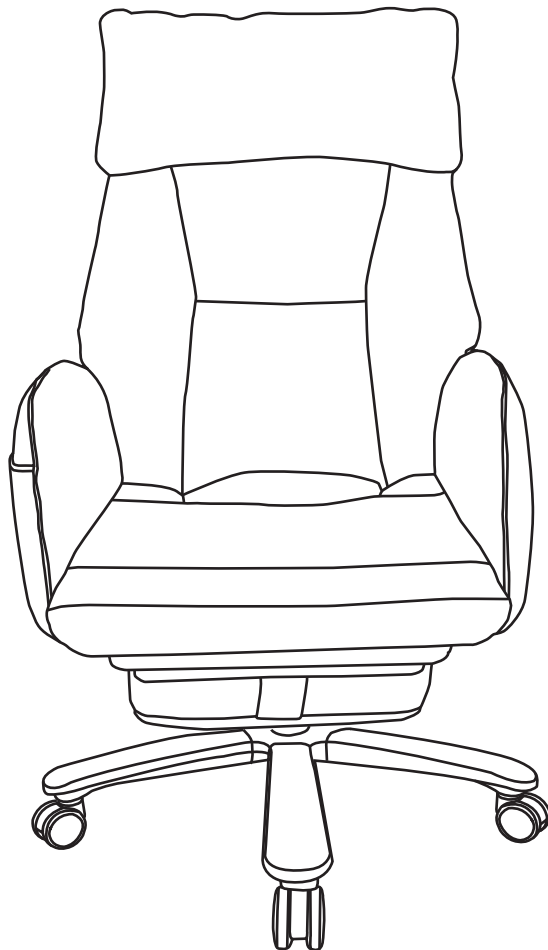


Instruction Manual

Executive Office Chair



Accessories list

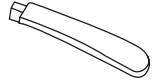
Ax5



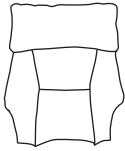
Bx1



Cx5



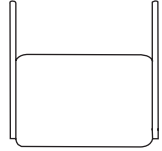
Dx1



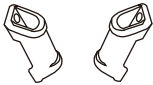
Ex1



Fx1



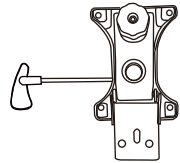
Gx2



Hx1



I x1



Jx1



Kx4



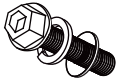
1/4"X7/8"

L x4



1/4"X1-1/8"

Mx3



5/16"X1"

Nx4



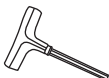
1/4"X1-3/8"

Ox1

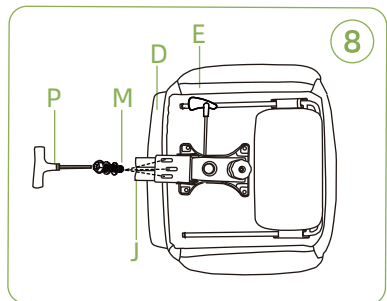
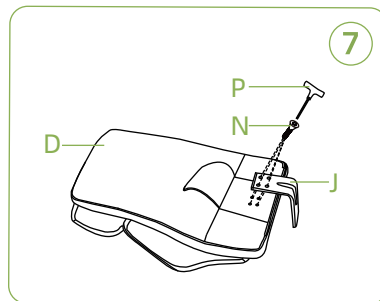
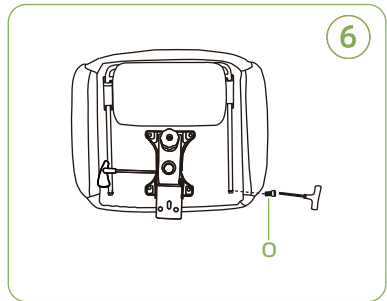
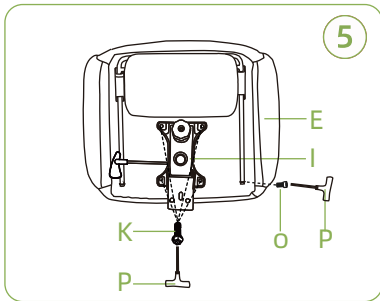
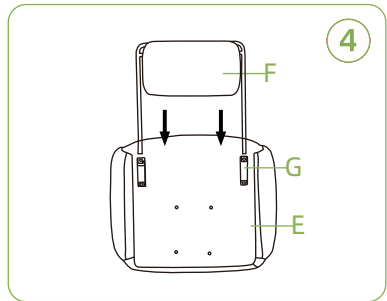
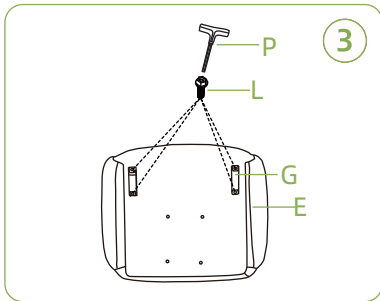
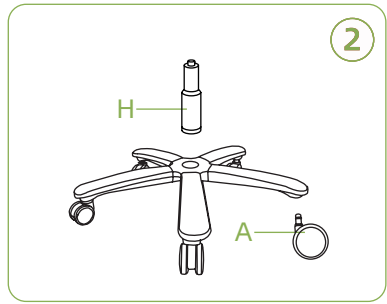
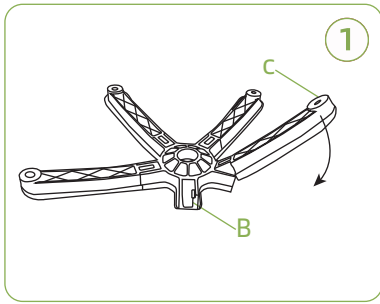


M5X8

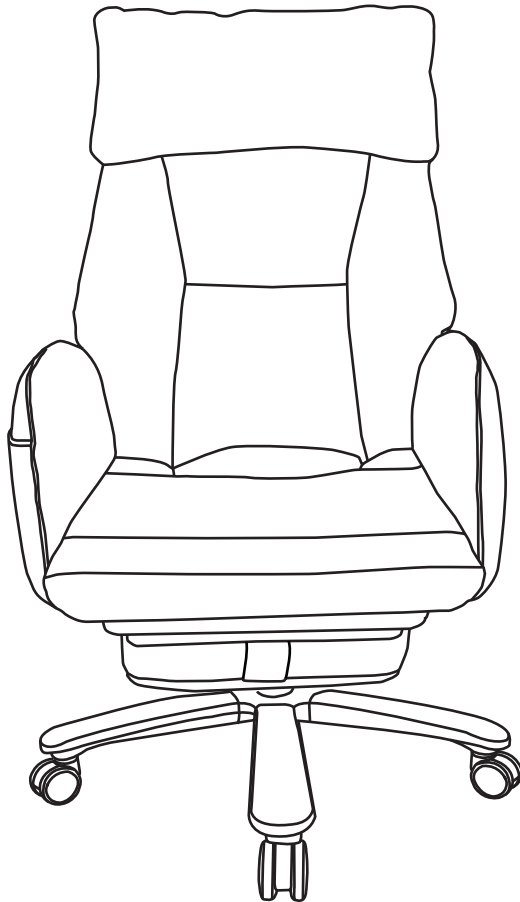
Px1



Installation Steps



Installation Steps



Specification

CONSTRUCTION AND MATERIAL

| | |
|-----------------------|---------|
| Material: | Leather |
| Style: | Modern |
| Head Pillow: | No |
| Lumbar Pillow: | No |
| Hydraulic Gas Piston: | Class 3 |
| Wheelbase: | Metal |
| Caster: | Nylon |

ADJUSTABILITY

| | |
|-------------------------|----------------------------|
| Height Adjustable Seat: | 20.47"-20.83" |
| Multi-tilt Mechanism: | Tilt Lock, Tilt Angle Lock |
| Reclining Backrest: | 90°-140° |

GENERAL INFO

| | |
|----------------------|--------------------------------|
| Assembly Required: | Yes |
| Package Size: | 35.03" (L)x22.83"(W) 12.99"(H) |
| Weight(Approximate): | 63.80lbs |

After Sales & Safety Info.



A warranty claim is available for our chairs. Should you encounter any inquiries regarding product-related matters or logistical concerns, kindly reach out to our customer service team. They shall promptly respond to provide you with timely assistance.

Warranty

1. All chairs that have limited warranty. This guarantees that you are making the right choice and secures the purchase value.
2. If you are uncertain whether your chair is eligible for limited warranty support, please contact our customer service team for confirmation.
3. The warranty does not cover the situations related to the theft, disappearance or loss of the chair.
4. Performing any work on the chair, repairs especially, will void the warranty.

Safety Information

Forbidden Behaviour

