

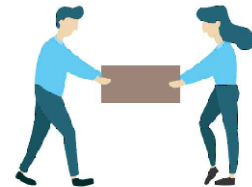
TOOLS REQUIRED



Screwdriver
(Not Included)



(Included)
Allen Wrench



2 - People

ASSEMBLY RATING

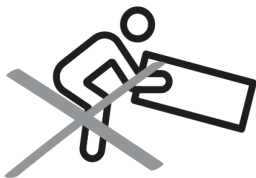


EASY ————— DIFFICULT

The Assembly Rating is a 5-point system showing the level of effort needed to assemble a specific product.

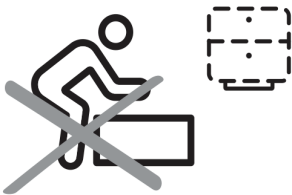
PRE ASSEMBLY INTRODUCTION

We understand building ready-to-assemble furniture can be a challenging experience for some. To help avoid confusion, we have provided some helpful tips that may speed up the process.



Teamwork

ALWAYS have at least two people to help with transporting and assembling the product to avoid potential injury and/or damage.



Suitable Location

Assembling near the area of the intended location is highly recommended.



Sufficient Space

Make sure you have enough space to move around during the assembly.



Avoid Scratches

Use cardboard, blankets or a carpeted area while assembling furniture to prevent to prevent scratches and damages.



Flat Surface

Make sure the furniture rests on a flat and level surface with each leg evenly touching the floor.

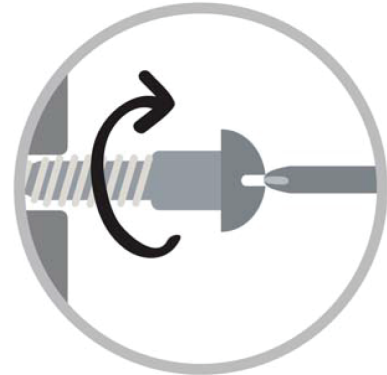
ASSEMBLY AND CARE ADVICE



FAILURE TO FOLLOW THE GUIDELINES BELOW MAY RESULT IN INJURY AND/OR PROPERTY DAMAGE.



Position each part correctly and insert screws or bolts into their respective holes.



Turn clockwise to tighten and only tighten when step is completed or when instructed to do so.



Use the appropriate hand tools or power tools for assembly. Select steps, such as tightening screws and/or bolts, may require hand tools to avoid causing damage during assembly.



Save the instructions and store any supplied tools for later maintenance.



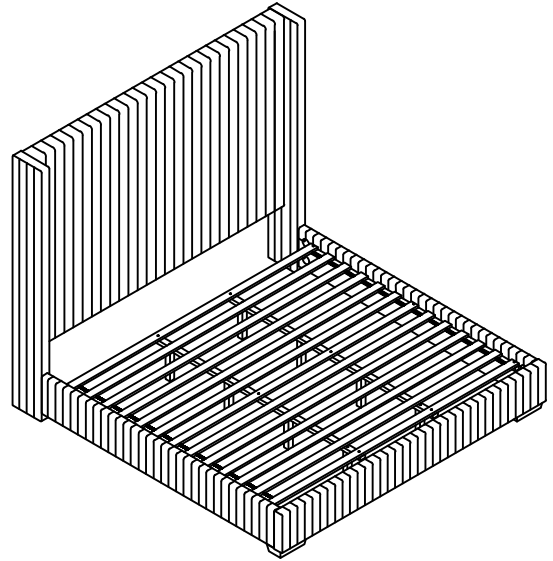
After two weeks, check and tighten any loose hardware and repeat again every six months thereafter.

IT IS THE USER'S RESPONSIBILITY TO MAINTAIN THE FURNITURE. THE HARDWARE MAY LOOSEN OVER TIME AND MAY CAUSE THE FURNITURE TO BE WOBBLY AND UNABLE TO SUPPORT ITS INTENDED WEIGHT CAPACITY. THIS MAY LEAD TO COLLAPSE AND MAY CAUSE SERIOUS INJURY.

BED

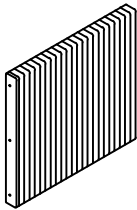


- Please keep instructions for future reference.
- Check the quantity and irregularity of parts and hardware before you start.



PARTS

1



Headboard
1pc

2



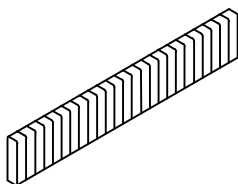
Left Wing
1pc

3



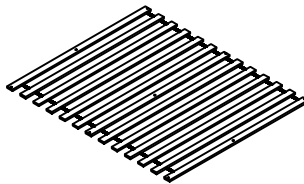
Right Wing
1pc

4



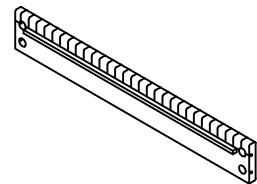
Footboard
1pc

5



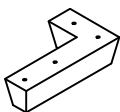
Roll Slats
1set

6



Side Rail
2pcs

7



Leg
2pcs

8



Support Rail
2pcs

9



Support Leg
8pcs

HARDWARE

A



Long Bolt
Ø5/16"x50mm
6pcs

B



Full-thread bolt
Ø 5/16"X88mm
8pcs

C



Curve Washer
Ø 5/16"X88mm
8pcs

D



Full-thread bolt
16mmx13mmx13mm
8pcs

E



Flat Washer
Ø5/16-RBW
6pcs

F



Spring Washer
Ø5/16-RBW
6pcs

G



Flat Washer
Ø1/4
8pcs

H



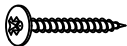
Open wrench
(12mm)
1pc

I



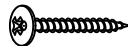
Allen Key
1pc

J



Screw M4x30mm
12pcs

K



Screw M4x50mm
8pcs

ASSEMBLY INSTRUCTIONS

1

Part 1 x1pc

Part 2 x1pc

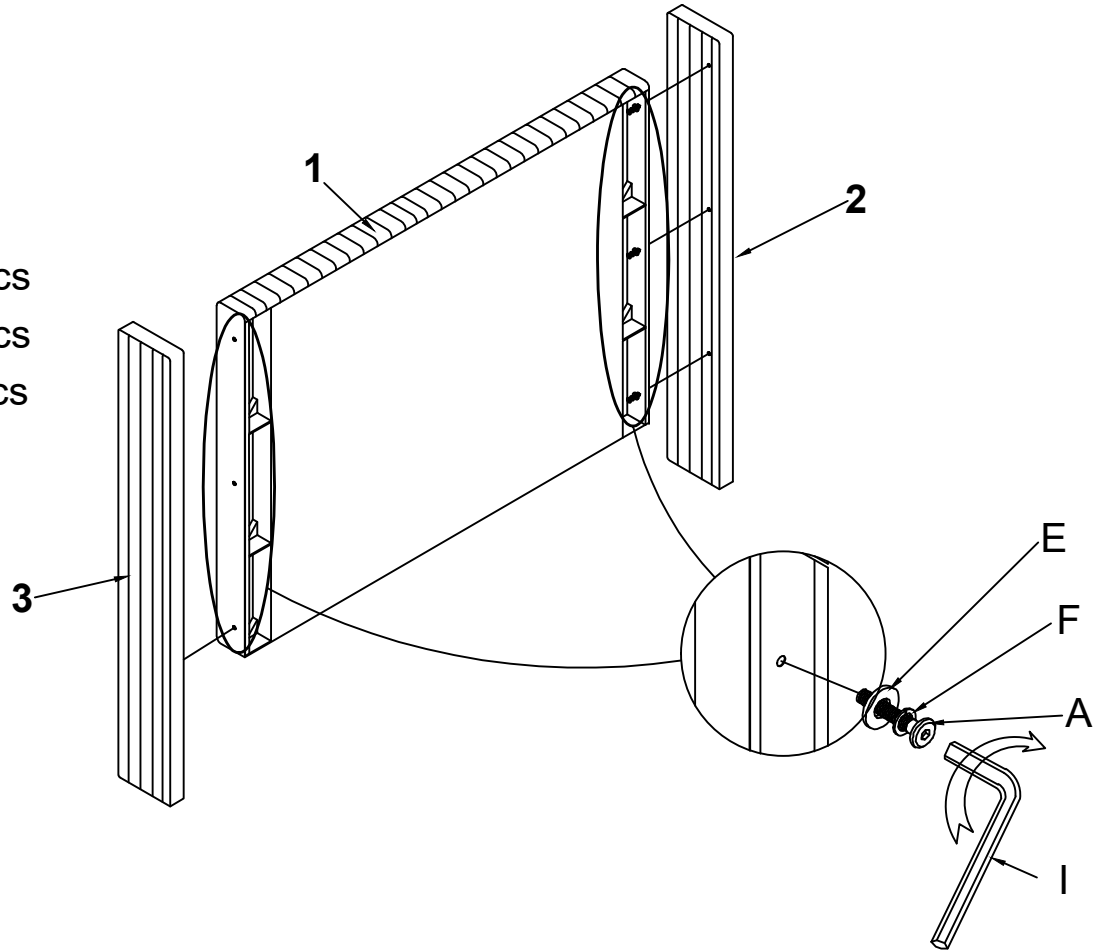
Part 3 x1pc

Hardware A x6 pcs

Hardware E x6 pcs

Hardware F x6 pcs

Hardware I x1 pc



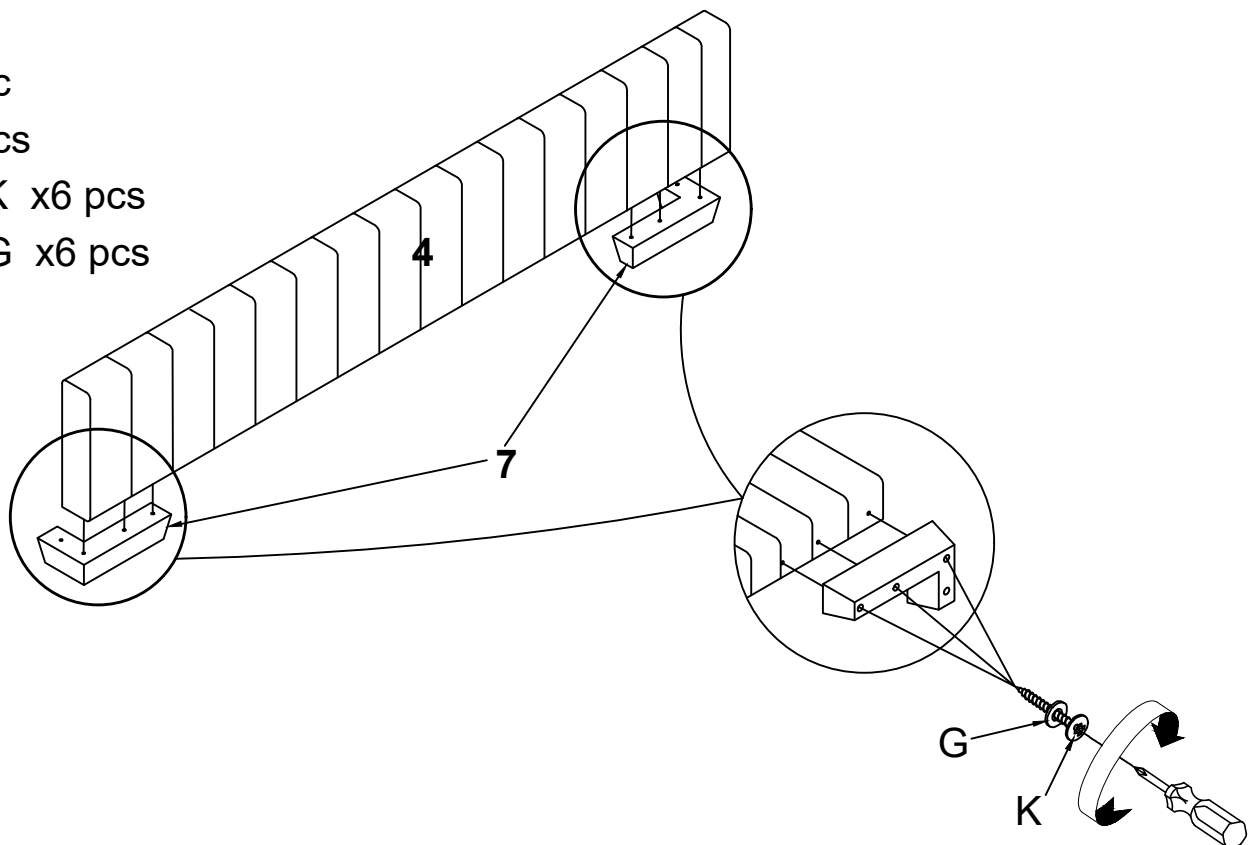
2

Part 4 x1pc

Part 7 x2pcs

Hardware K x6 pcs

Hardware G x6 pcs



ASSEMBLY INSTRUCTIONS

3

Part 2 x1pc

Part 3 x1pc

Part 4 x1pc

Part 6 x2pcs

Part 7 x2pcs

Hardware B x8 pcs

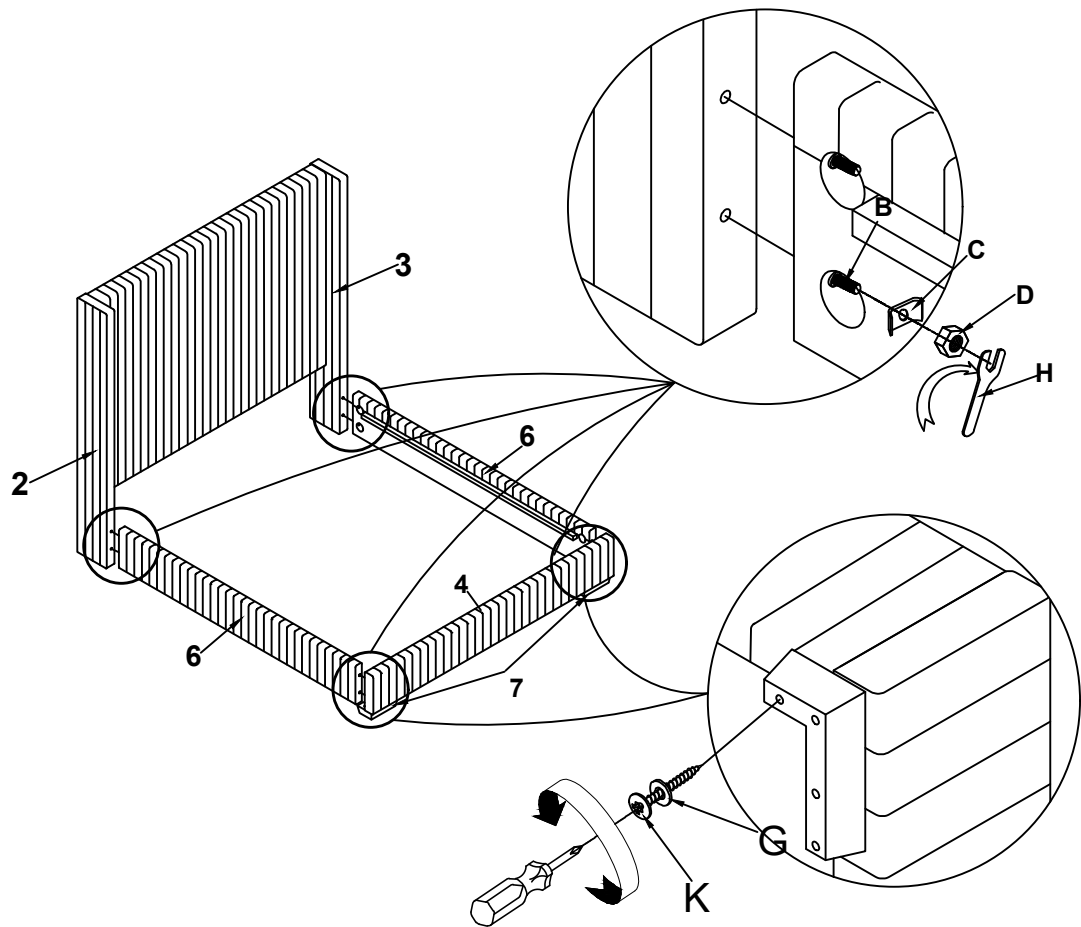
Hardware C x8 pcs

Hardware D x8 pcs

Hardware H x1 pc

Hardware K x2 pcs

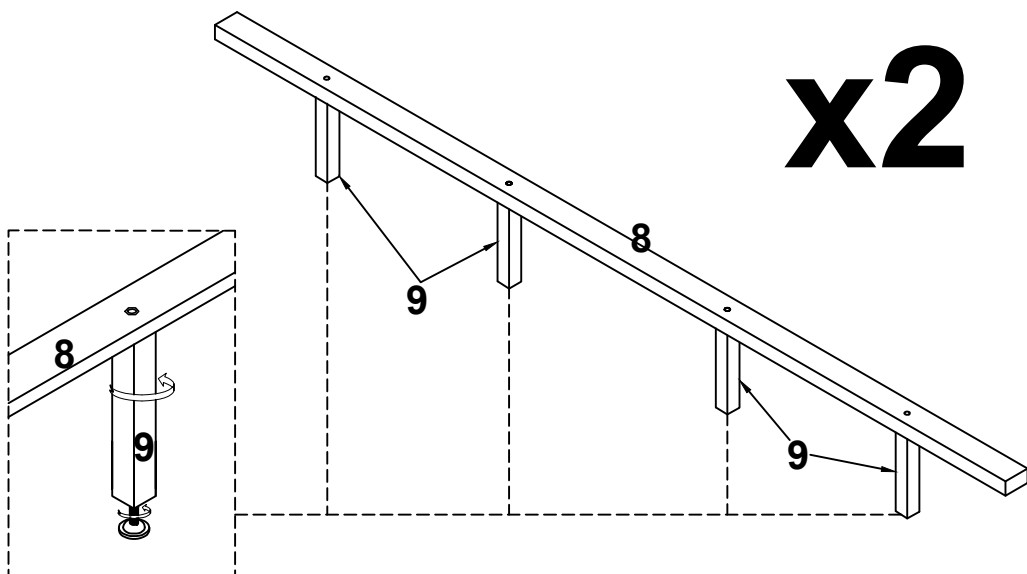
Hardware G x2 pcs



4

Part 8 x2pcs

Part 9 x8pcs



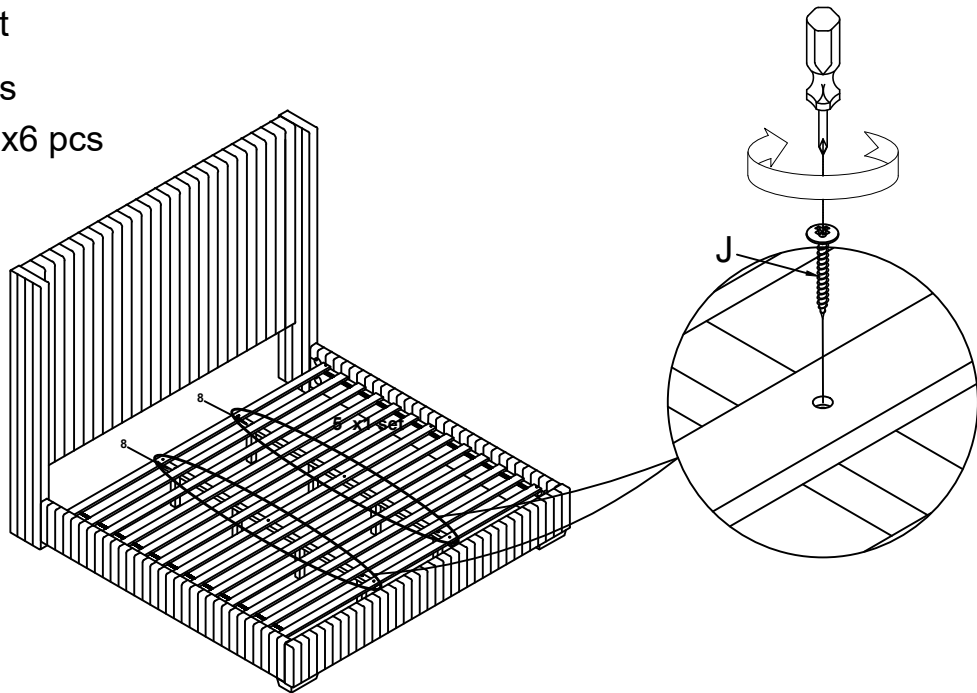
ASSEMBLY INSTRUCTIONS

5

Part 5 x1set

Part 8 x2pcs

Hardware J x6 pcs

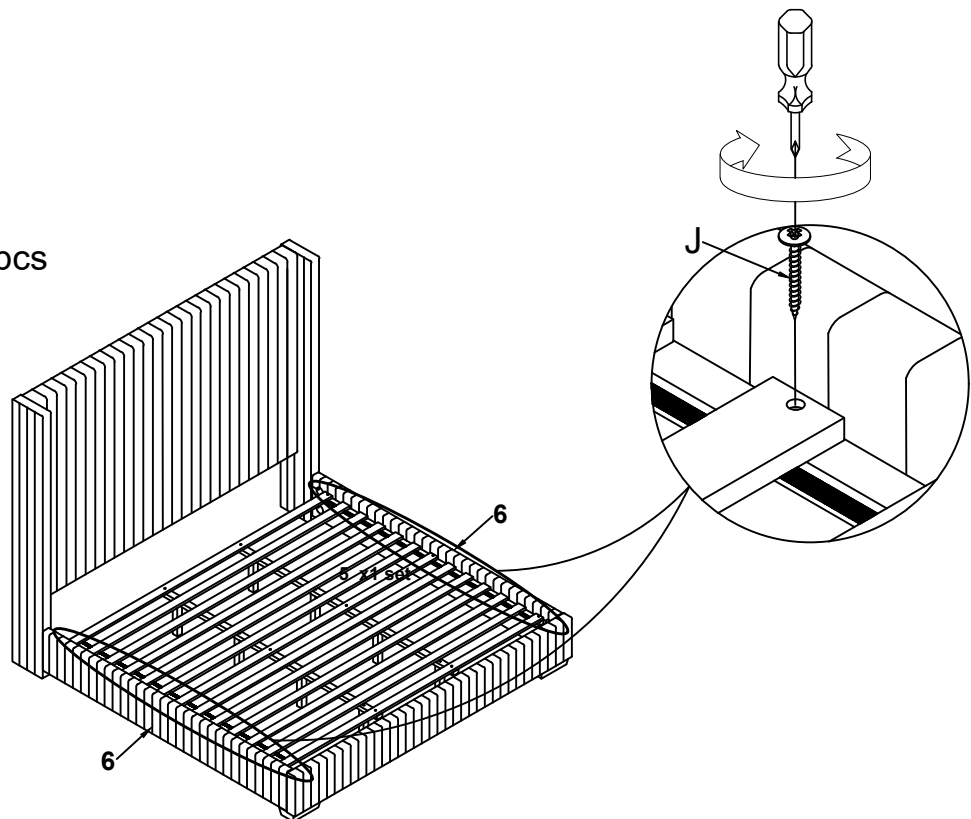


6

Part 5 x1set

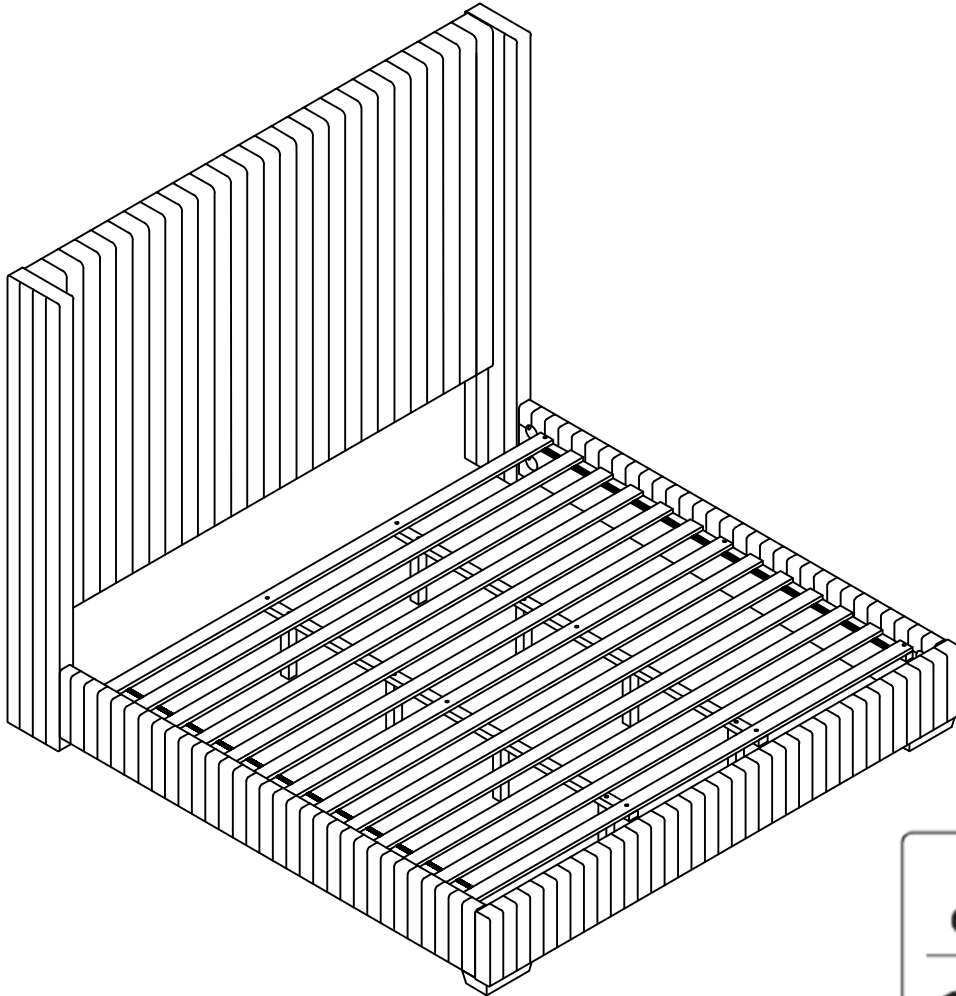
Part 6 x2pcs

Hardware J x6 pcs



ASSEMBLY INSTRUCTIONS

7



ASSEMBLY COMPLETED



Please ensure the furniture rests on an even and flat surface. If the product wobbles or feels loose, double-check all bolts and/or screws are properly tightened and secured.



Keep this handy!

Please retain this instruction manual and any order-related information for future reference.



Lift, don't drag!

To avoid damage to product please always LIFT the product when transporting or adjusting the placement.

This product is intended for RESIDENTIAL USE ONLY and not for commercial use.