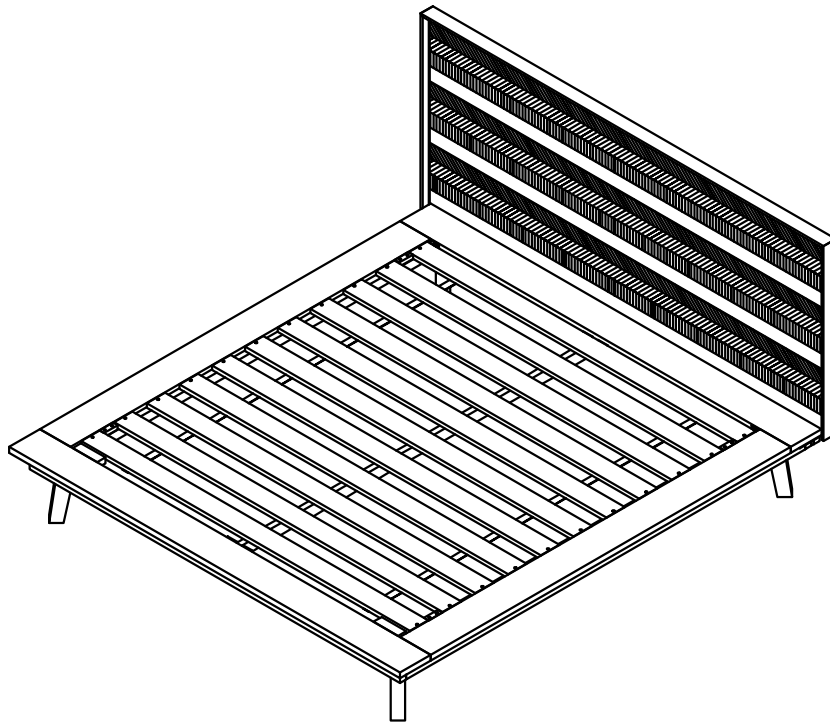


ASSEMBLY INSTRUCTIONS

King Bed



- Unpack all hardware bags and components to ensure you have all parts -



- Read instructions, cover to cover -



- Have 2 adults on hand for assembly -



- Do not assemble on flooring or carpet -



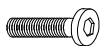
- Assemble on a clean non-marking surface (packing foam) -



- Save all packaging until finished -

ASSEMBLY INSTRUCTIONS

A. (M8x25) x8



B. (Ø8/Ø18mm)x44



C. (4mm) x1



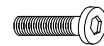
D. (M6x20) x4



E. (V40x40) x2



F. (M8x20) x24



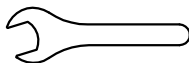
G. (Ø8mm)x16



H. (M8x60) x8



I. (13mm) x1



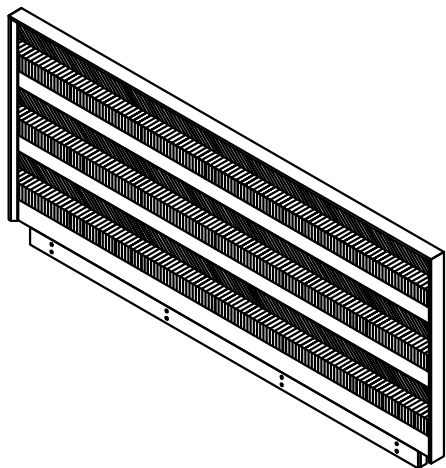
K. (L250x150) x2



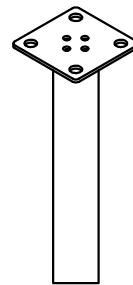
L. (Ø4x30) x22



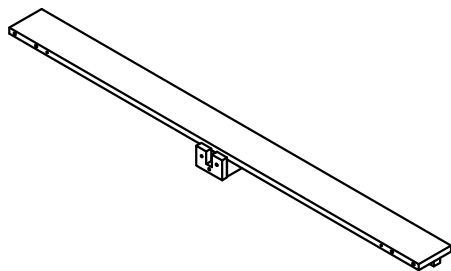
① x1



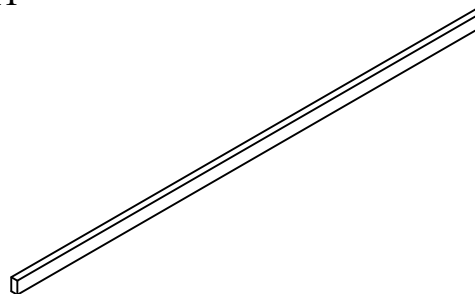
⑤ x4



② x1

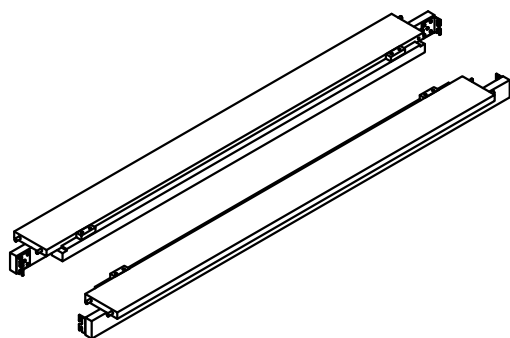


⑥ x1

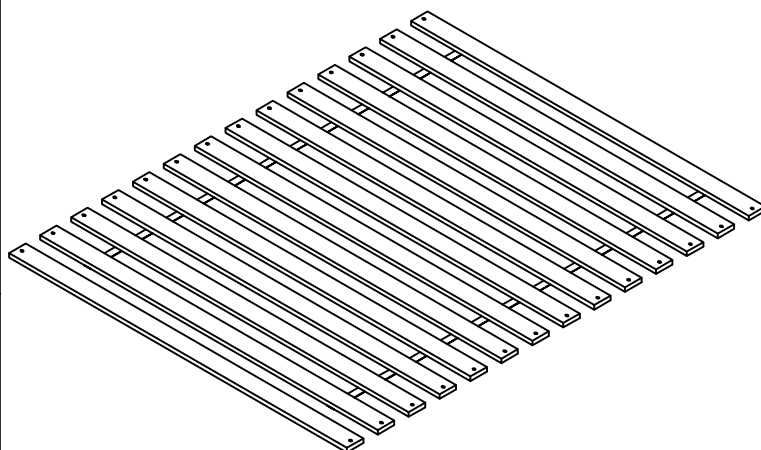


③L x1

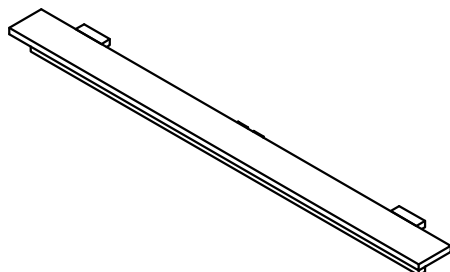
③R x1



⑦ x11



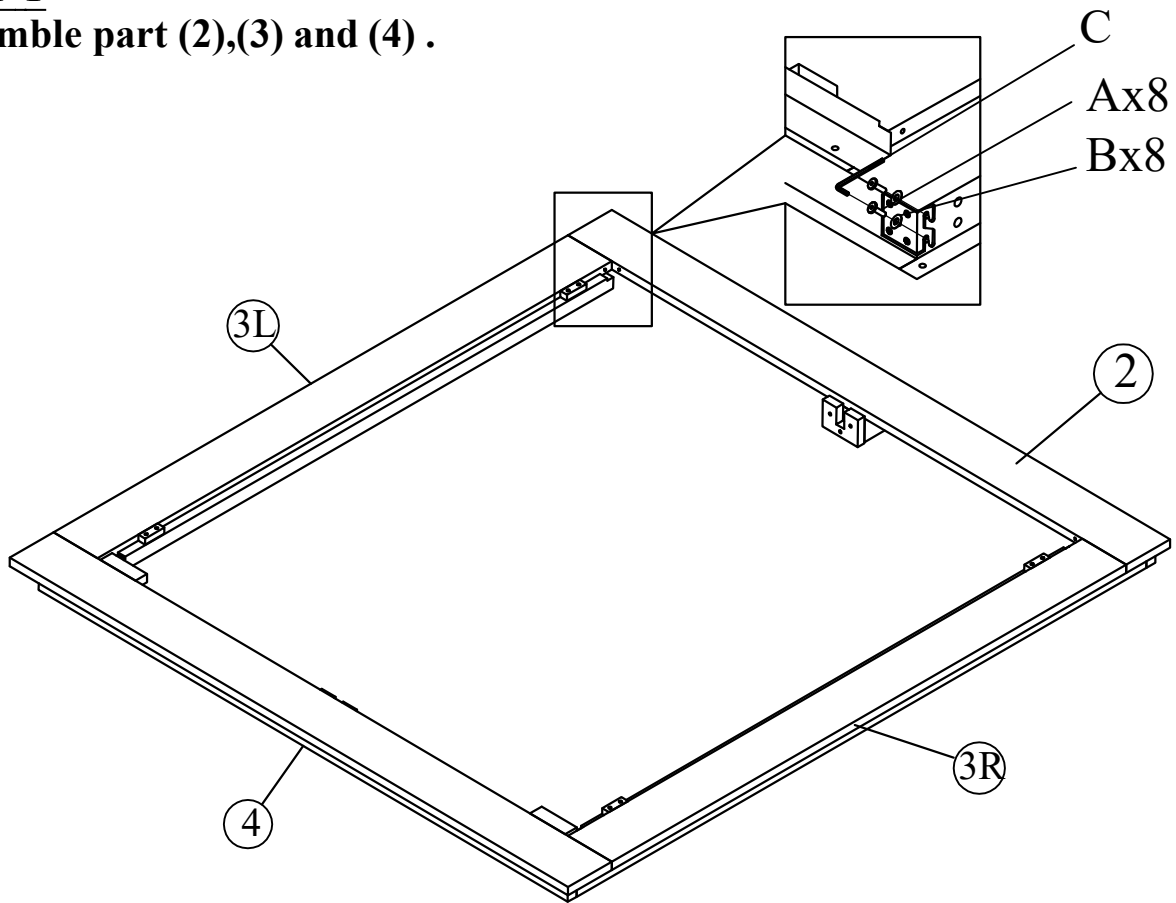
④ x1



ASSEMBLY INSTRUCTIONS

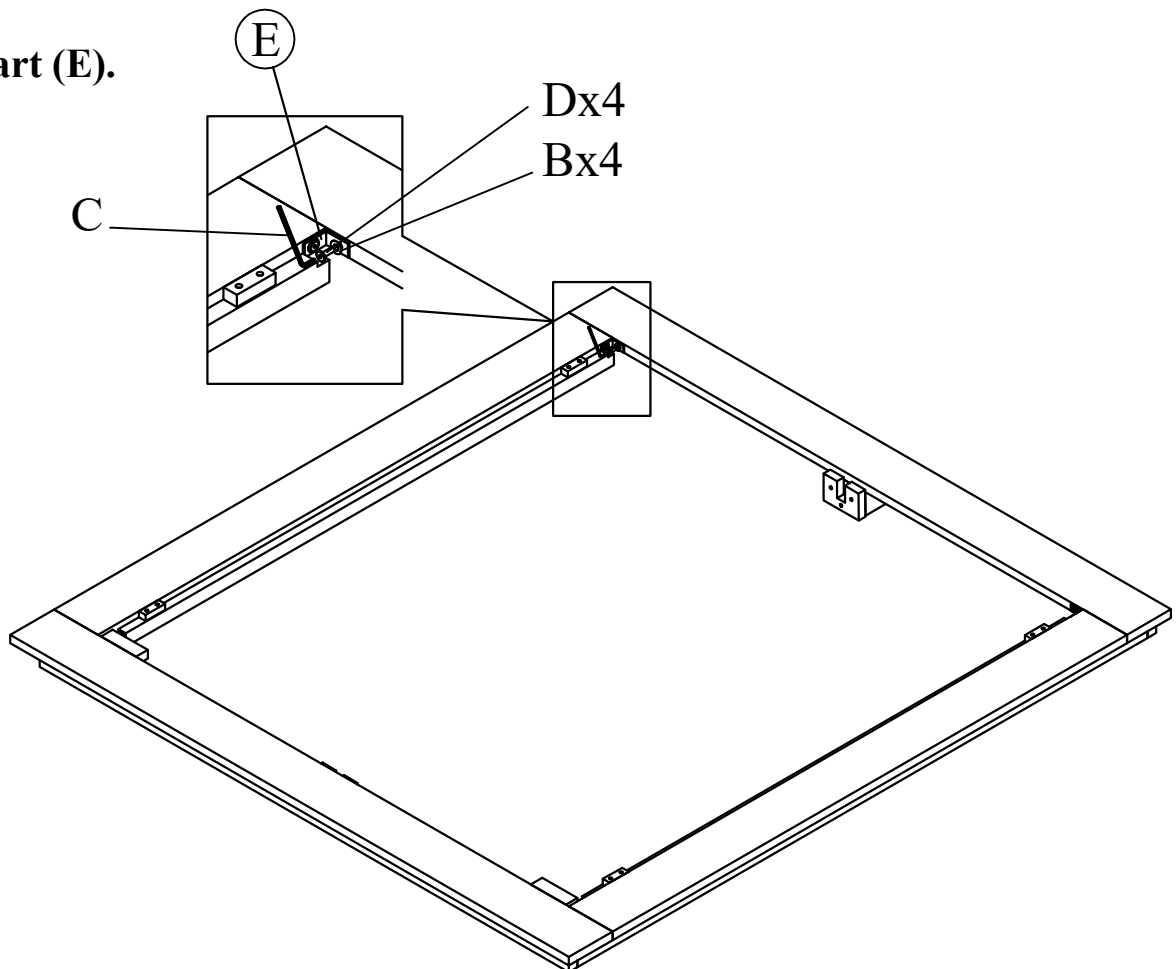
STEP 1

Assemble part (2),(3) and (4) .



STEP 2

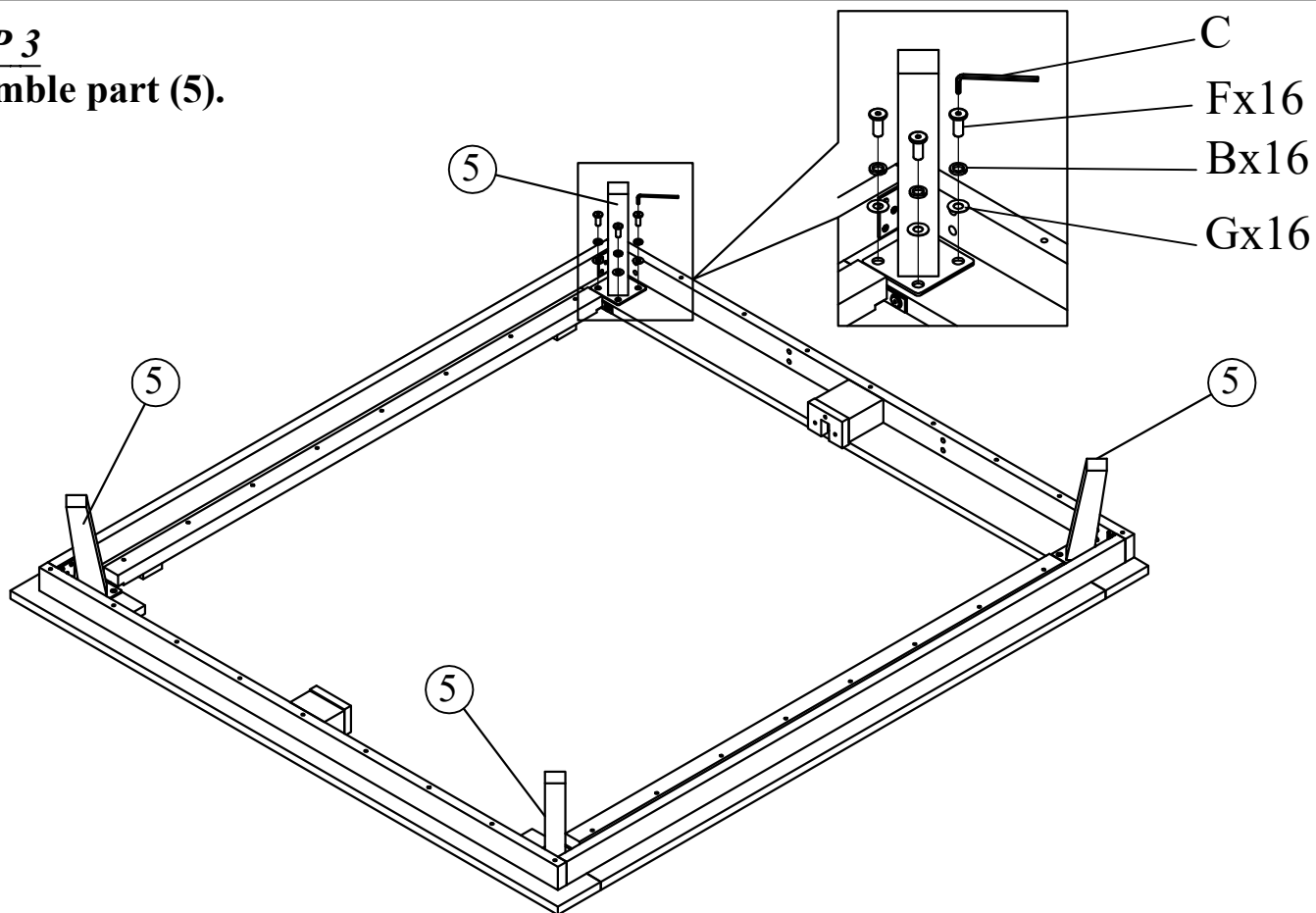
Assemble part (E).



ASSEMBLY INSTRUCTIONS

STEP 3

Assemble part (5).



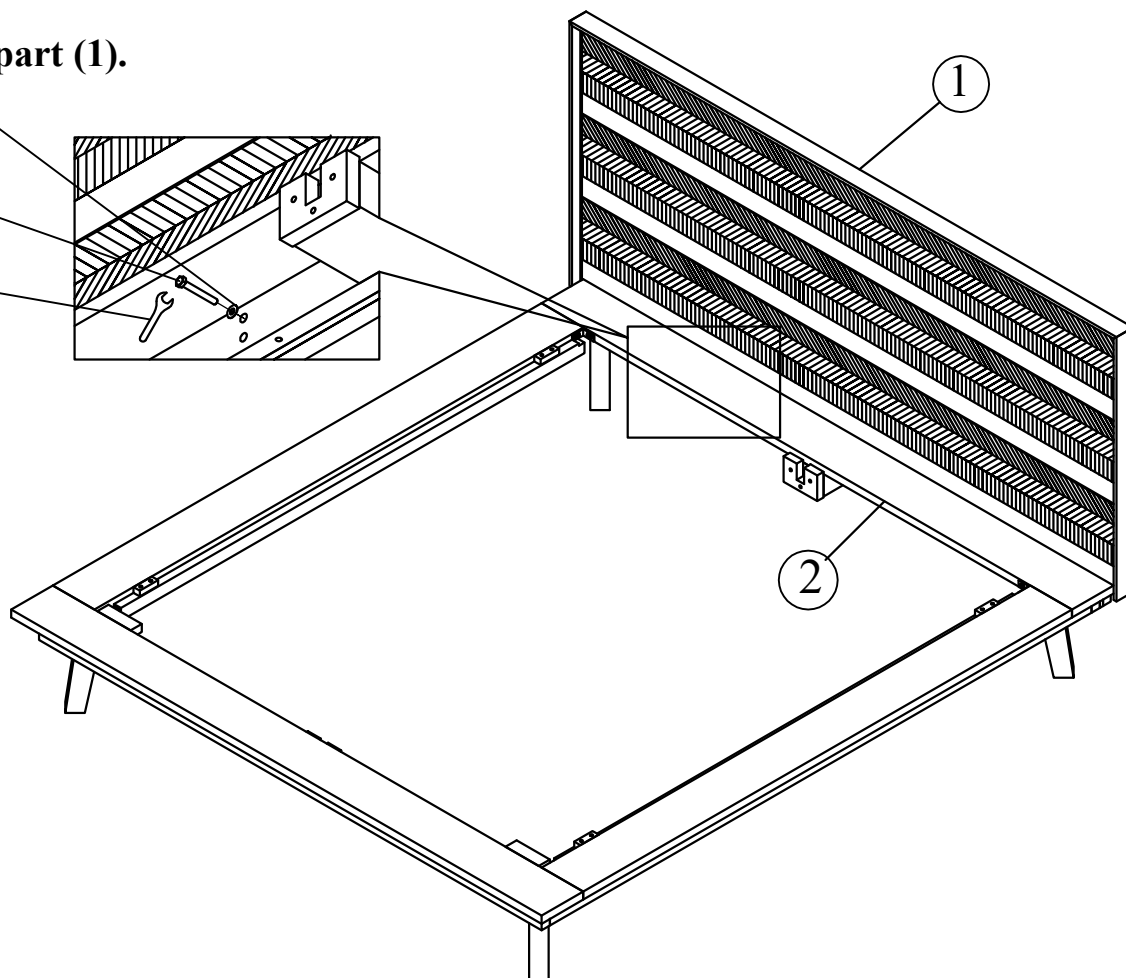
STEP 4

Assemble part (1).

Bx8

Hx8

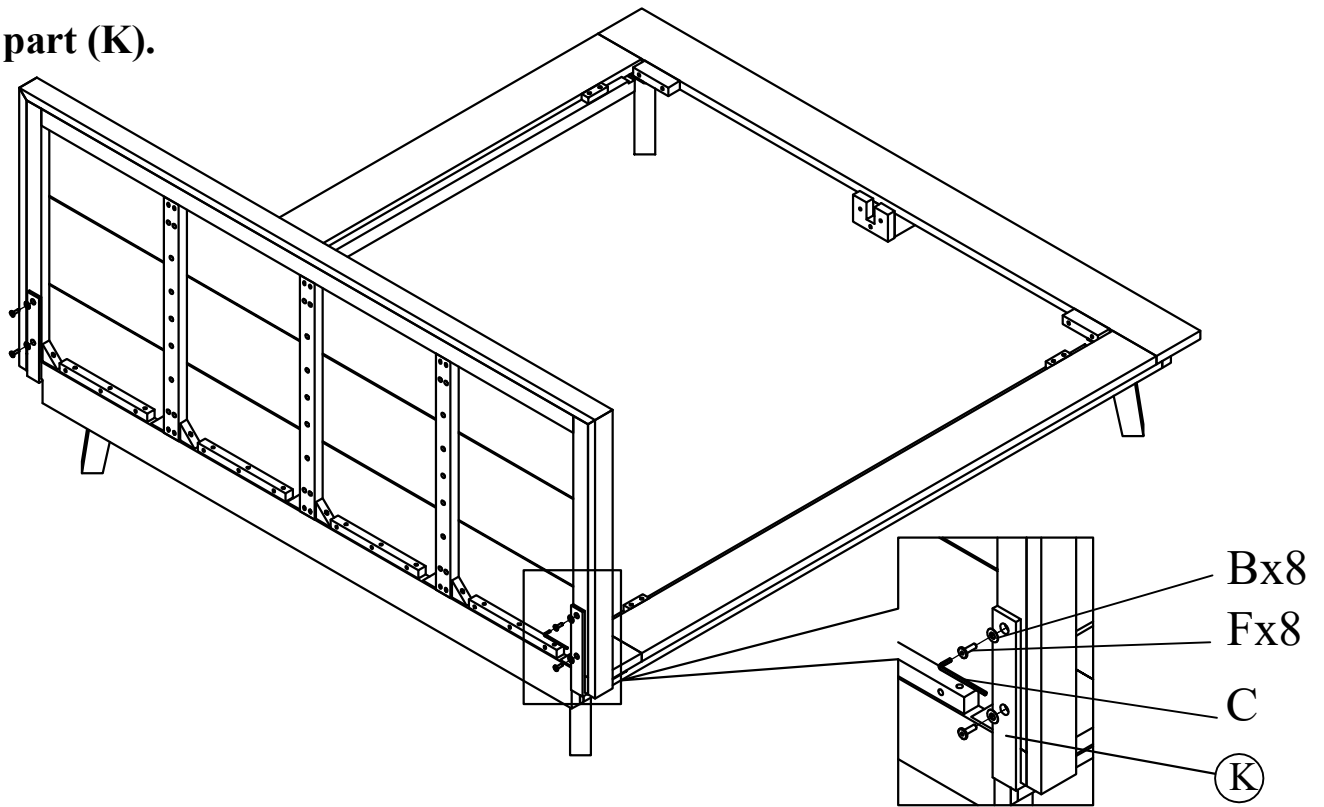
I



ASSEMBLY INSTRUCTIONS

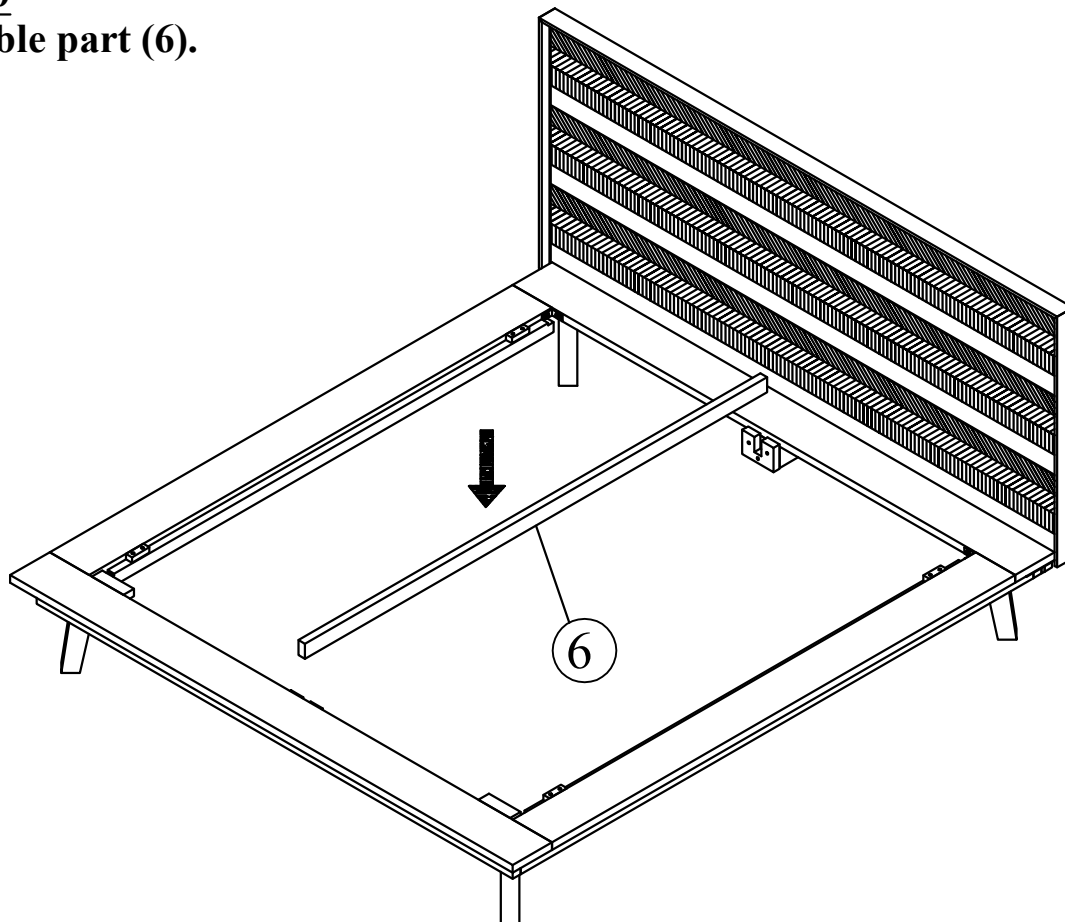
STEP 5

Assemble part (K).



STEP 6

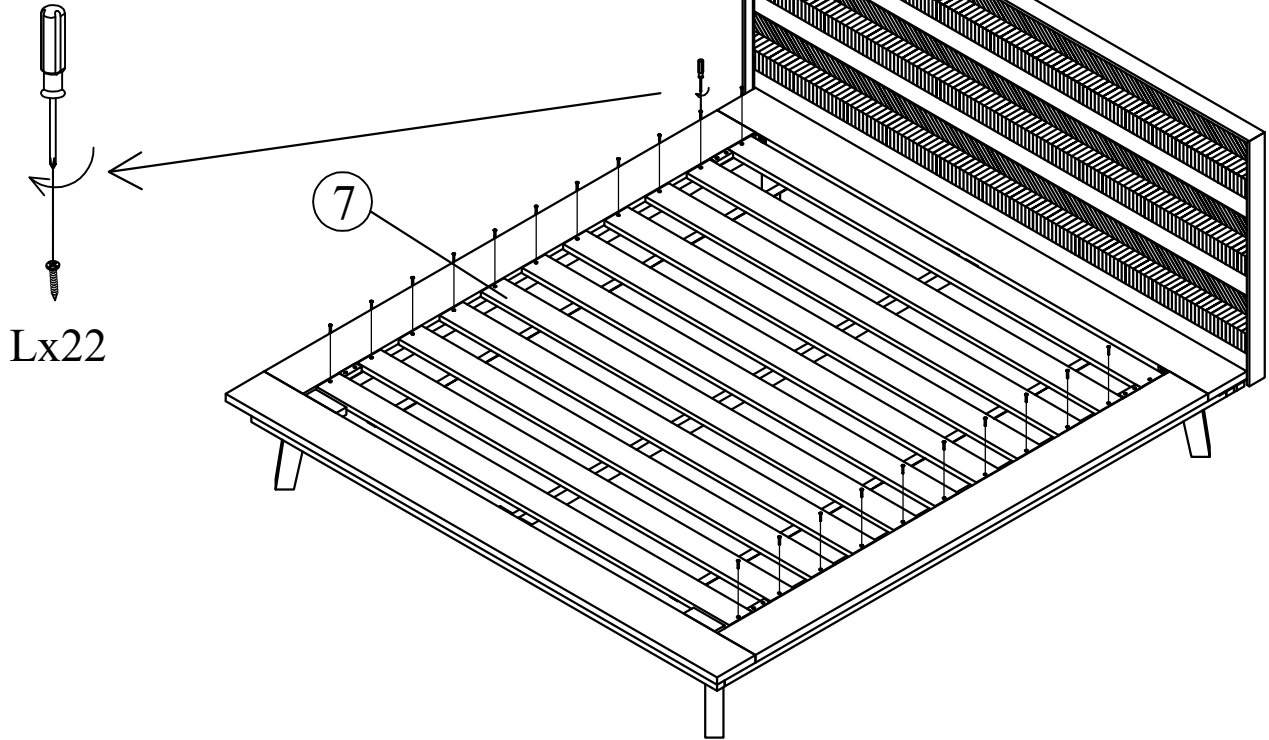
Assemble part (6).



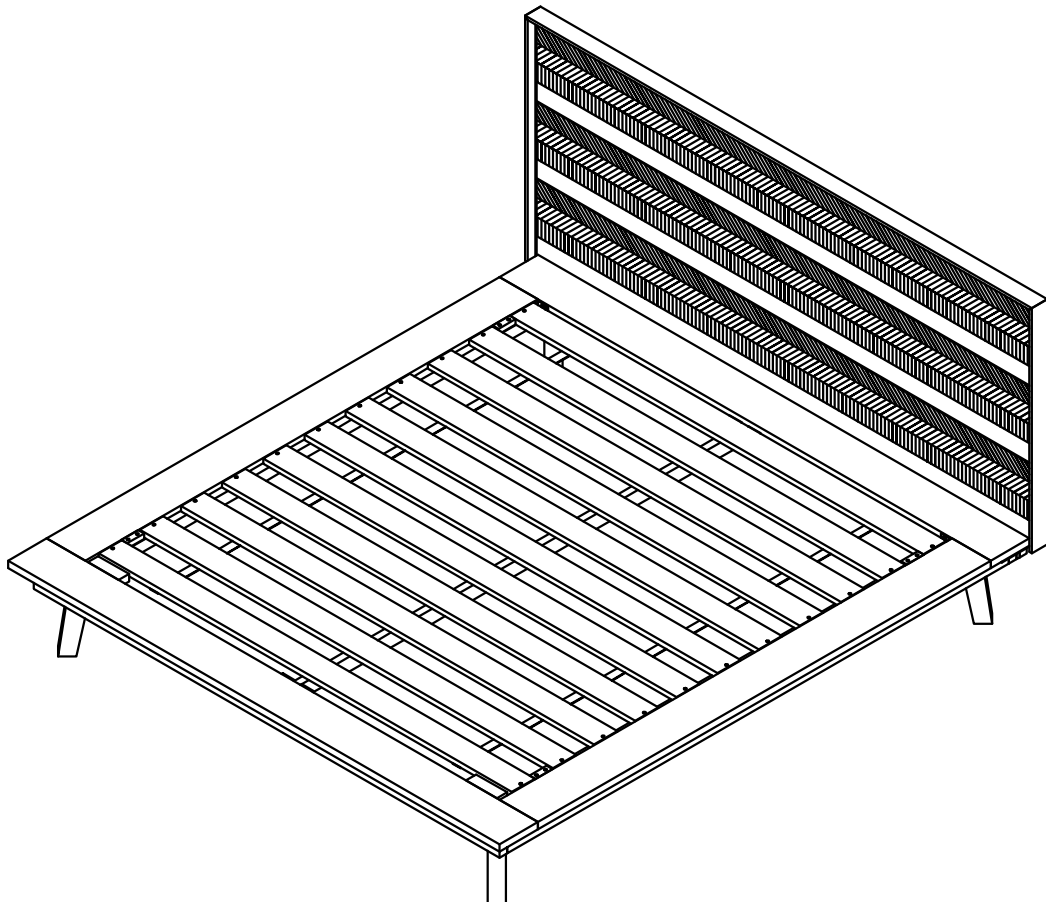
ASSEMBLY INSTRUCTIONS

STEP 7








Assemble part (7).




Assembly is complete.



CARE & MAINTENANCE

-  Do not put hot items directly on furniture surface.
 -  Do not clean furniture with harsh cleansers or polish.
 -  Do not place furniture near heating or cooling vents.
 -  Do not write on furniture without a padded barrier to protect the surface.
 -  Not for commercial use. For residential use only.
 -  Stains may be removed with mild soap solution and damp cloth.
 -  Indoor / outdoor use
(Rust resistant / -15 degrees Celsius / - 59 degrees Fahrenheit)
-

-  Dust and pick-up spills using a clean, non-colored, lint-free cloth.